



US00D332675S

United States Patent [19]

[11] Patent Number: **Des. 332,675**

Simon

[45] Date of Patent: **** Jan. 19, 1993**

- [54] SCOOP FOR CAT LITTER
- [75] Inventor: Allen Simon, East Northport, N.Y.
- [73] Assignee: Four Paws Products Ltd.,
Hauppauge, N.Y.
- [**] Term: 14 Years
- [21] Appl. No.: 592,080
- [22] Filed: Oct. 3, 1990
- [52] U.S. Cl. D30/162; 294/55;
D7/692; D8/10
- [58] Field of Search D30/162; 294/1.3-1.5,
294/55, 131; 209/418, 419; D7/692; D8/10

4,198,720 4/1980 Matsumoto 294/55
 5,076,627 12/1991 Simon 294/55

FOREIGN PATENT DOCUMENTS

125964 12/1931 Fed. Rep. of Germany 294/55
 89760 1/1954 Fed. Rep. of Germany 294/55
 804839 11/1936 France 294/55
 2497849 7/1982 France 294/1.3

Primary Examiner—A. Hugo Word
Assistant Examiner—Cathy Anne MacCormac
Attorney, Agent, or Firm—Darby & Darby

[57] CLAIM

The ornamental design for a scoop for cat litter, as shown and described.

[56] References Cited

U.S. PATENT DOCUMENTS

22,514	1/1859	Sabbaton	294/55
D. 314,254	1/1991	Gordon	D30/162
411,879	10/1889	Vowles	294/55
421,021	2/1890	Vowles	294/55
448,393	3/1891	Wells et al.	294/55
1,135,820	4/1915	Korteum et al.	294/55
1,175,192	3/1916	Tankersley	294/131
3,106,419	10/1963	Estwing	294/55

DESCRIPTION

FIG. 1 a top perspective view of a scoop for cat litter showing my new design;
 FIG. 2 is a top plan view thereof;
 FIG. 3 is a right side elevational view thereof, the left side being a mirror image of the right side shown;
 FIG. 4 is a front elevational view thereof;
 FIG. 5 is a rear elevational view thereof; and,
 FIG. 6 is a bottom plan view.

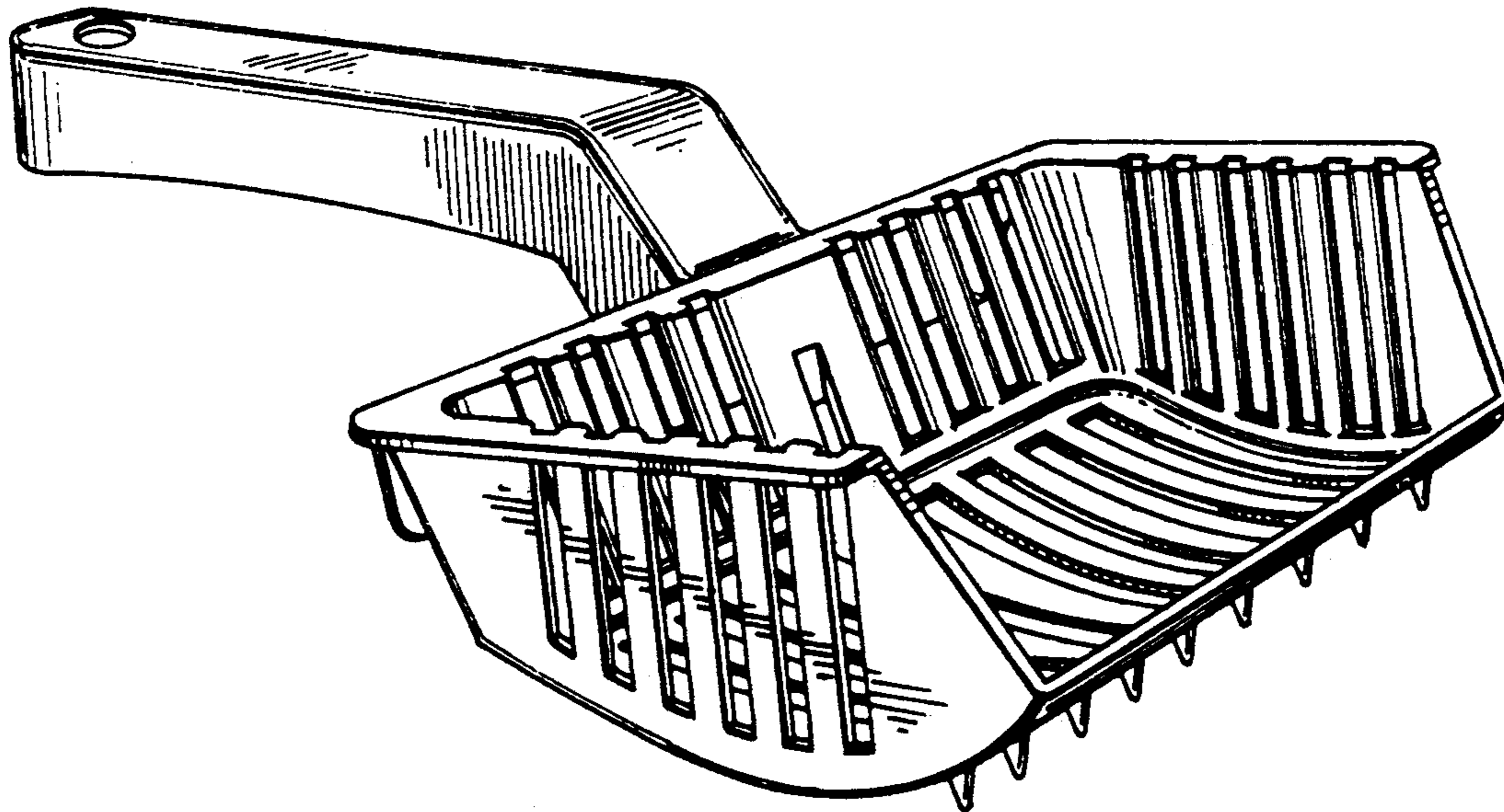


FIG. 1

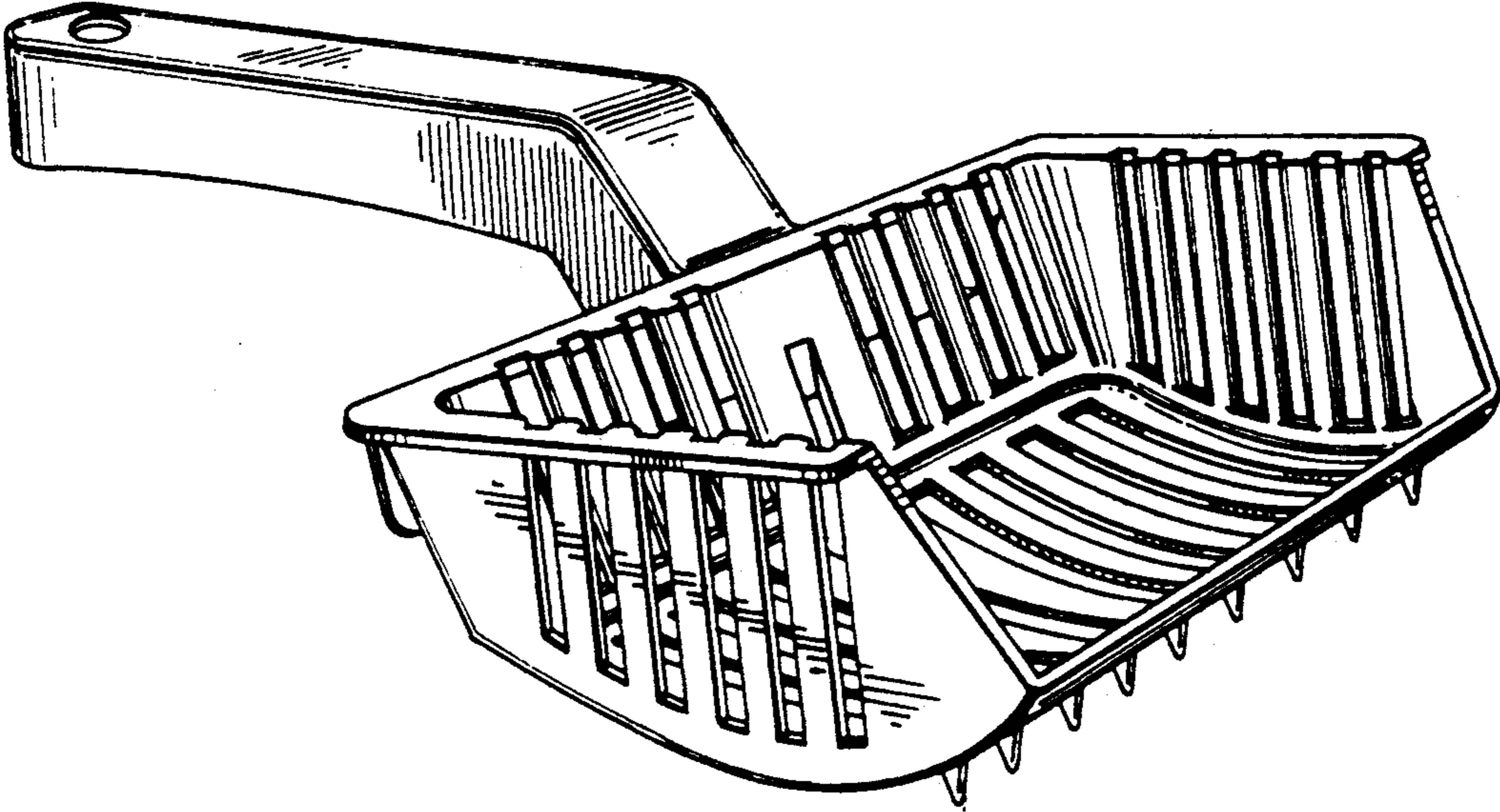


FIG. 2

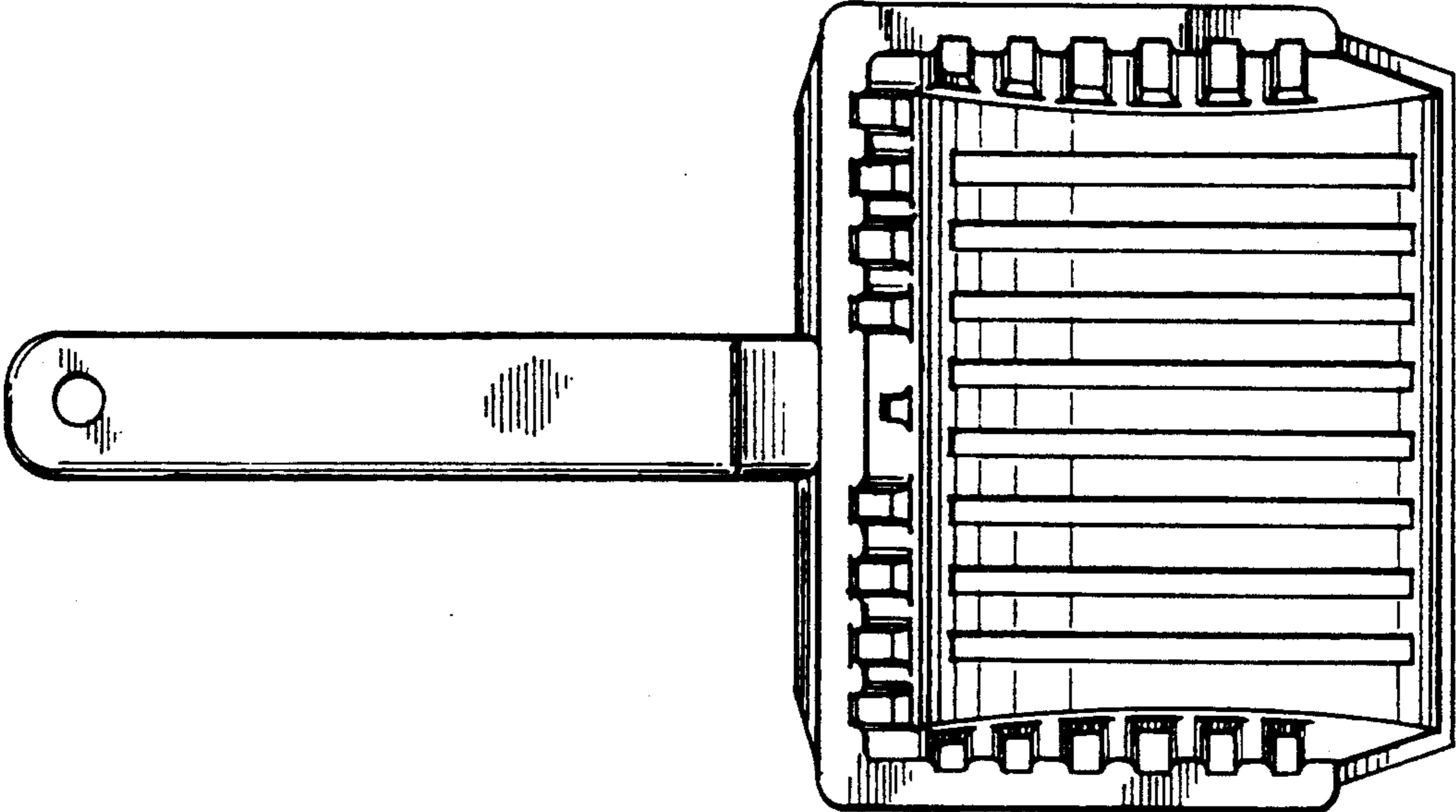


FIG. 3

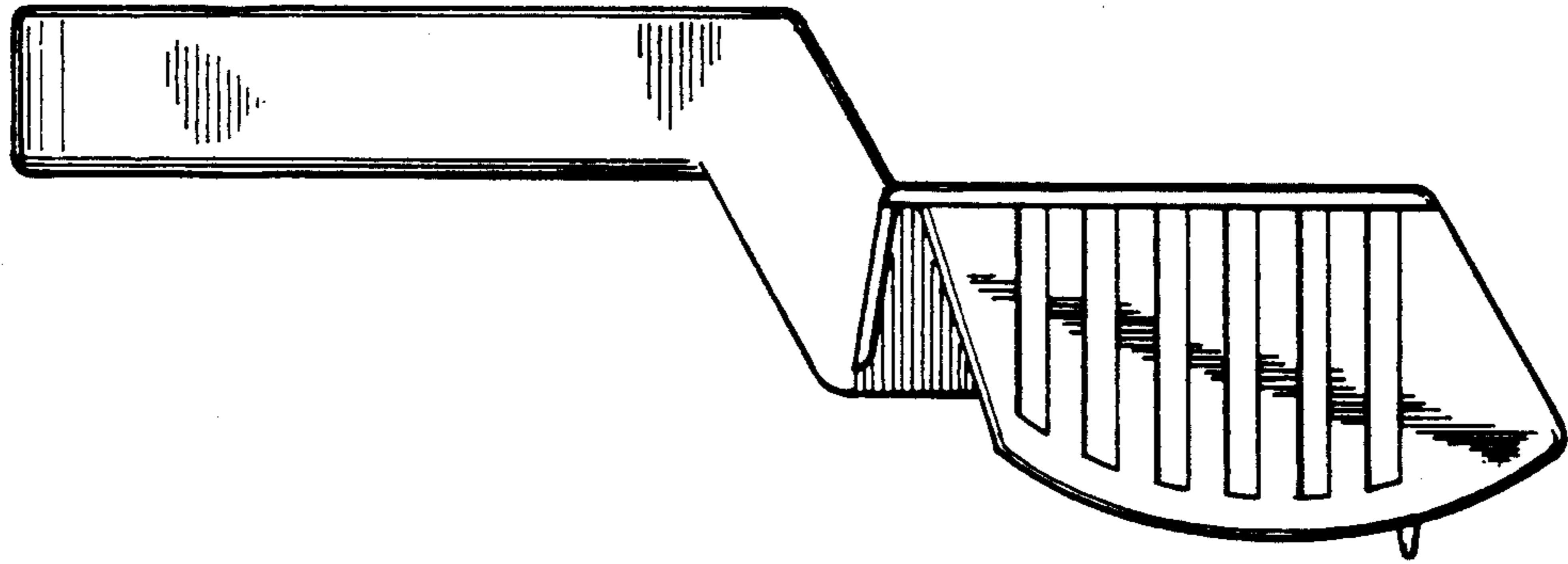


FIG. 4

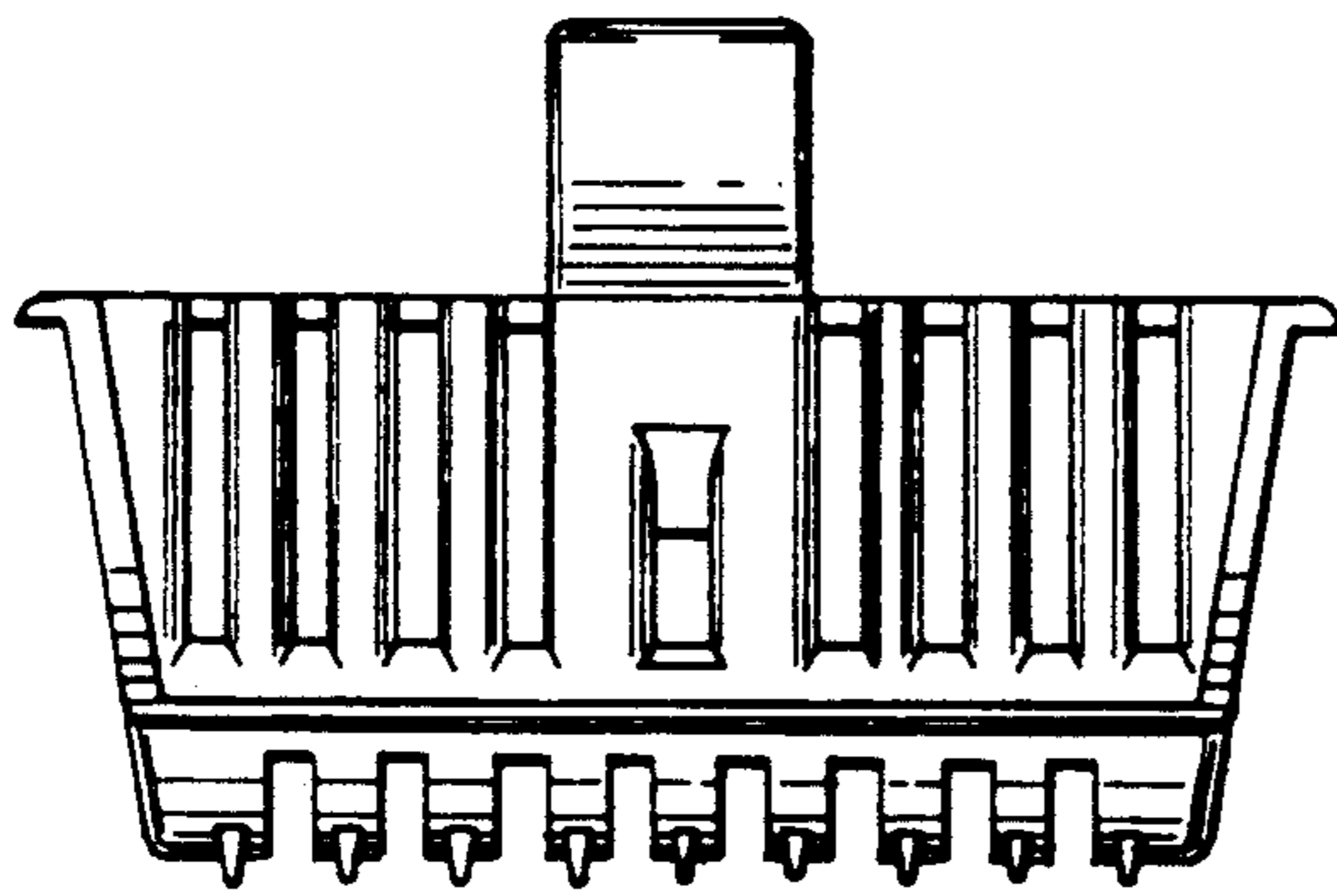


FIG. 5

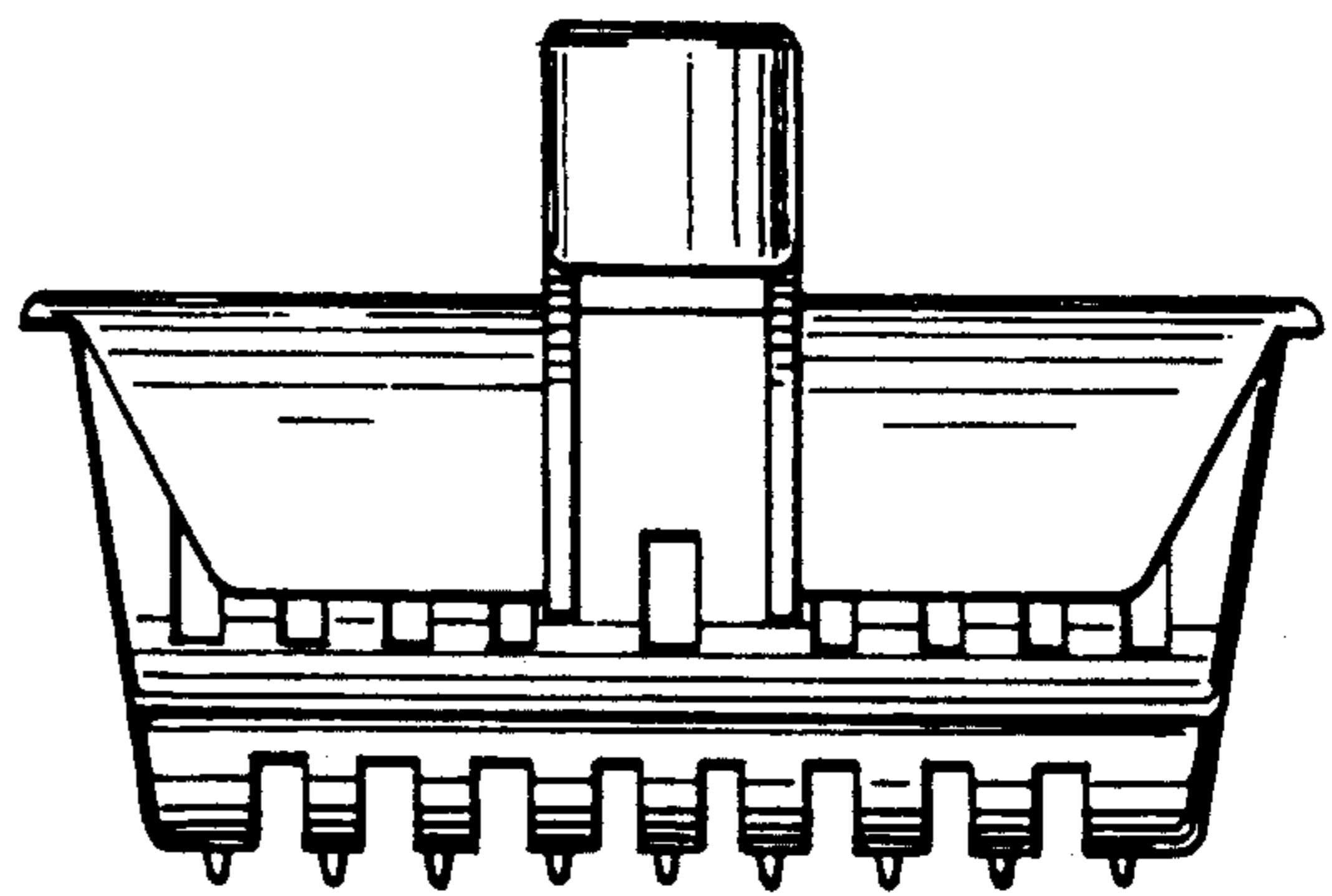


FIG. 6

