



US00D332673S

United States Patent [19]

[11] Patent Number: **Des. 332,673**

Kovatch

[45] Date of Patent: **** Jan. 19, 1993**

[54] **SLOTTED NON-SKID FLOOR FOR ANIMALS**

[75] Inventor: **Henry Kovatch, Caracas, Venezuela**

[73] Assignee: **Industrias Uniplasticas C.A., Guatire, Venezuela**

[**] Term: **14 Years**

[21] Appl. No.: **527,541**

[22] Filed: **May 24, 1990**

[52] U.S. Cl. **D30/120; D34/46**

[58] Field of Search **D30/108-109, D30/112-118, 120, 161; 119/28, 17; D34/40, 46**

[56] **References Cited**

U.S. PATENT DOCUMENTS

D. 26,443	12/1896	Fiske	D30/120
D. 318,148	7/1991	Peltier	D30/120
4,018,188	4/1977	Burdette	119/28
4,048,960	9/1977	Barnidge et al.	119/28
4,182,271	1/1980	Dodge et al.	119/28
4,235,197	11/1980	Curtis et al.	119/28
4,356,792	11/1982	Leverett	119/28
4,362,128	12/1982	Downey	119/28
4,387,666	6/1983	Thye-Lokenberg	119/28

FOREIGN PATENT DOCUMENTS

81736	6/1983	European Pat. Off.	119/28
102599	9/1925	Fed. Rep. of Germany	119/28
2840395	3/1980	Fed. Rep. of Germany	119/28
346448	1/1905	France	119/28

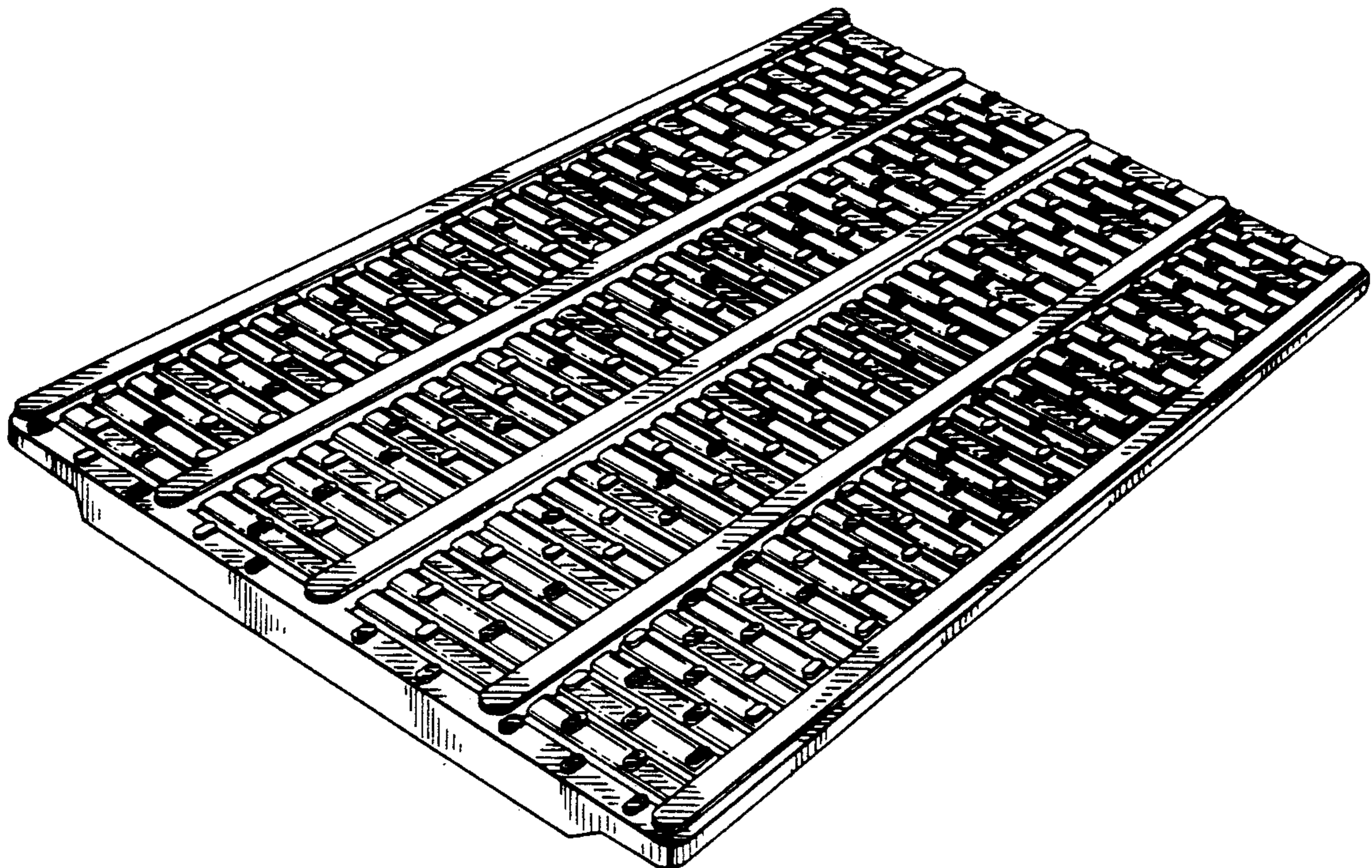
Primary Examiner—A. Hugo Word
Assistant Examiner—Cathy Anne MacCormac
Attorney, Agent, or Firm—Dennison, Meserole, Pollack & Scheiner

[57] **CLAIM**

The ornamental design for a slotted non-skid floor for animals, as shown and described.

DESCRIPTION

FIG. 1 is a perspective view of a slotted non-skid floor for animals, showing my new design;
FIG. 2 is a top plan view thereof;
FIG. 3 is a left side elevational view thereof;
FIG. 4 is an end elevational view thereof;
FIG. 5 is a broken away bottom plan view thereof;
FIG. 6 is a right side elevational view;
FIG. 7 is an end elevational view thereof showing the opposite end of FIG. 4;
FIG. 8 is a fragmentary bottom perspective view thereof;
FIG. 9 is a cross-section detail thereof on line 9—9 in FIG. 2; and,
FIG. 10 is a cross-section detail thereof on line 10—10 in FIG. 2.



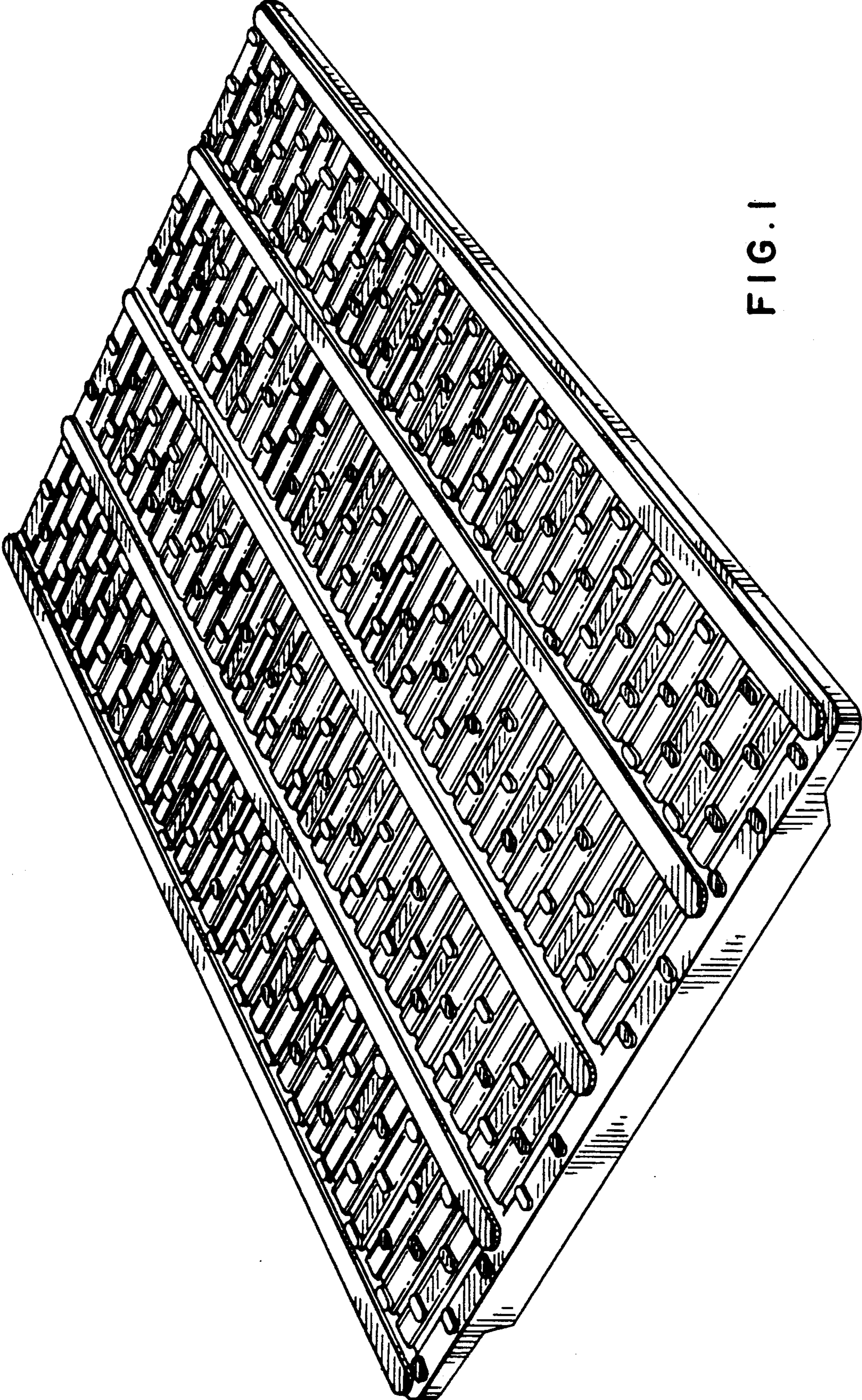


FIG. 1

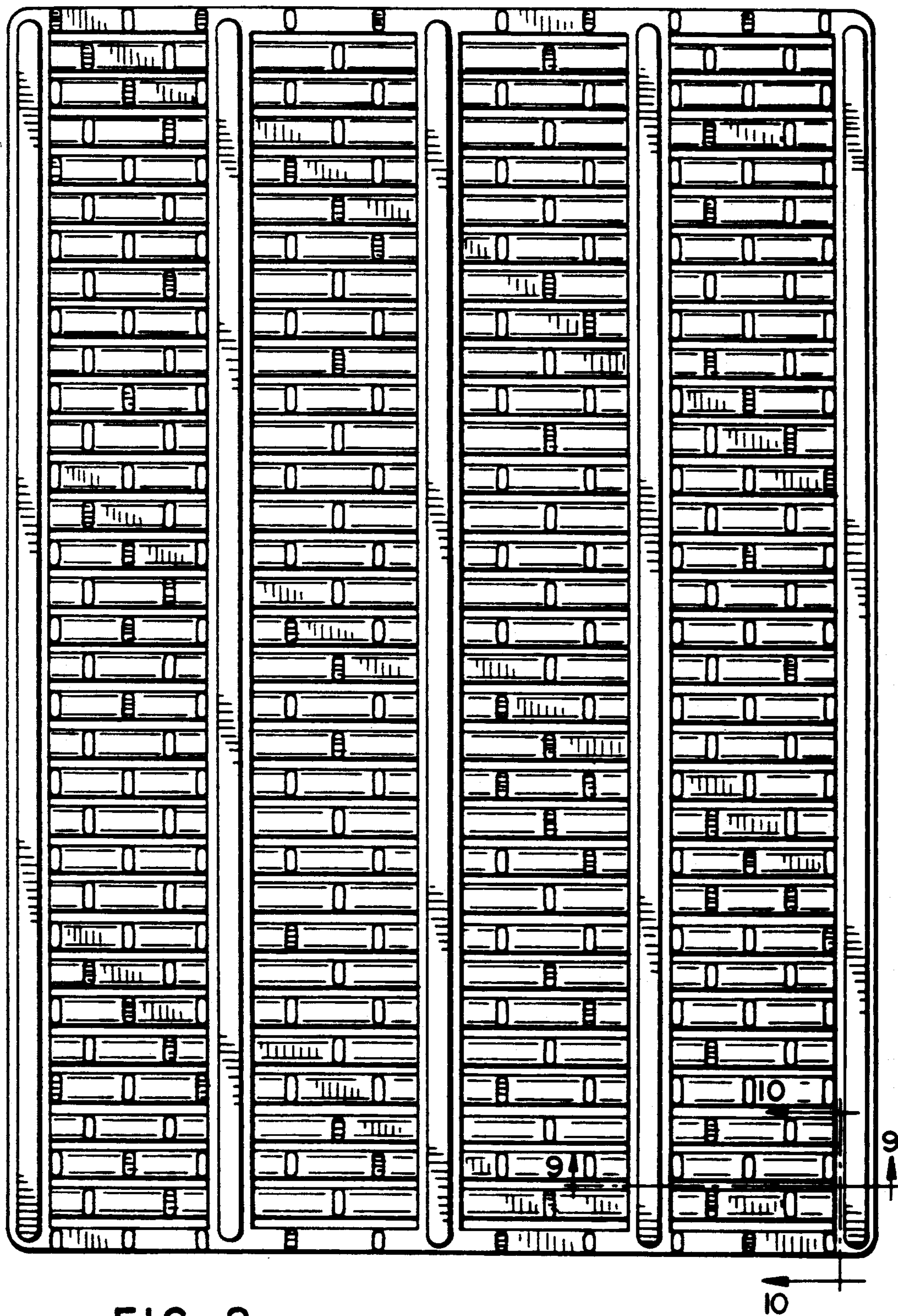


FIG. 2

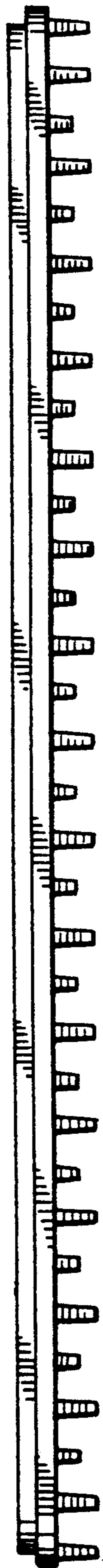


FIG. 3

FIG. 4



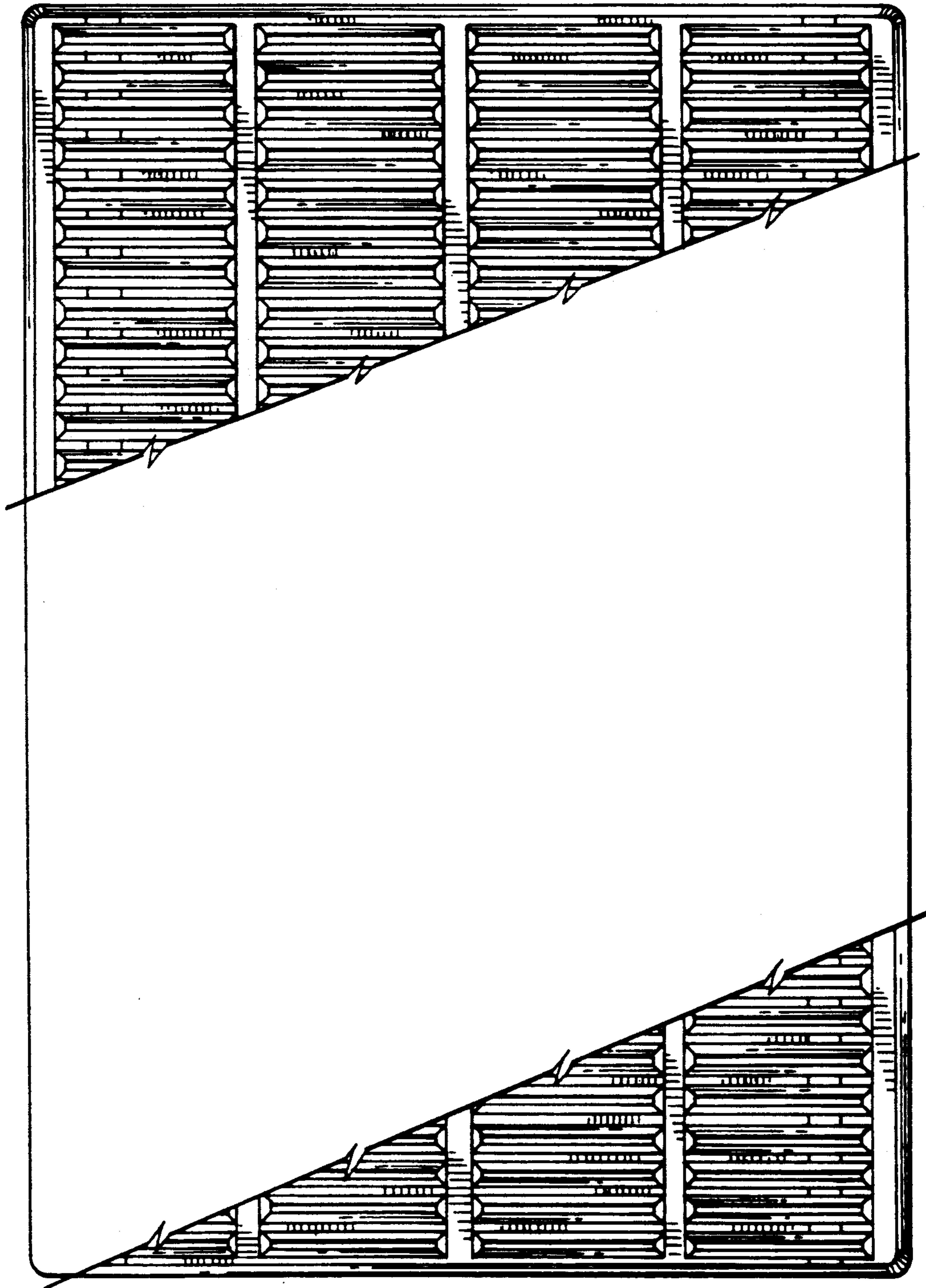


FIG. 5

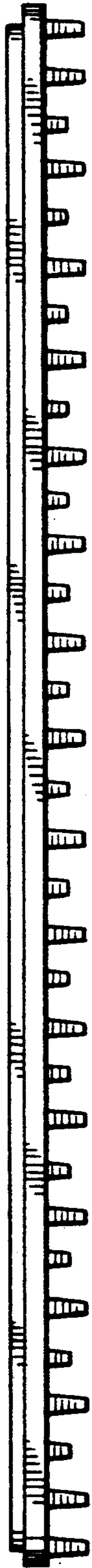


FIG. 6

FIG. 7



FIG. 8

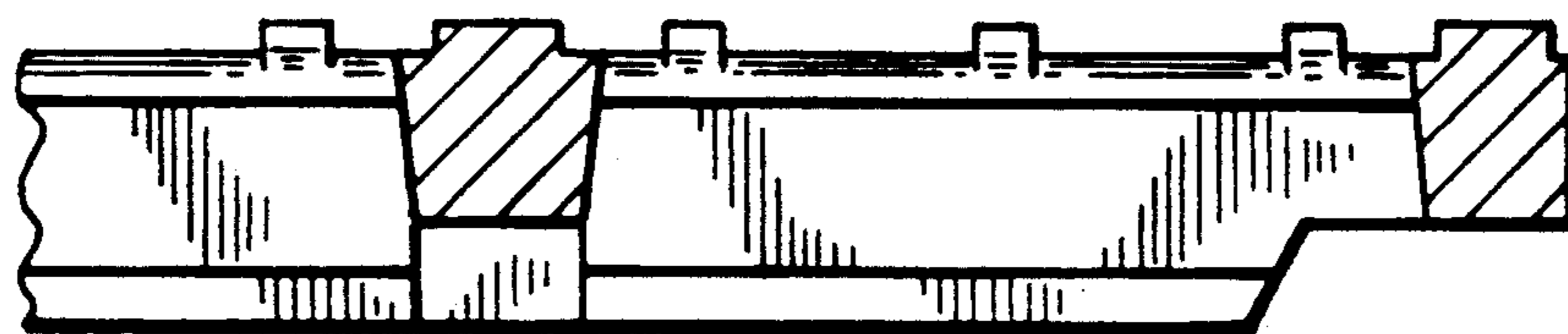
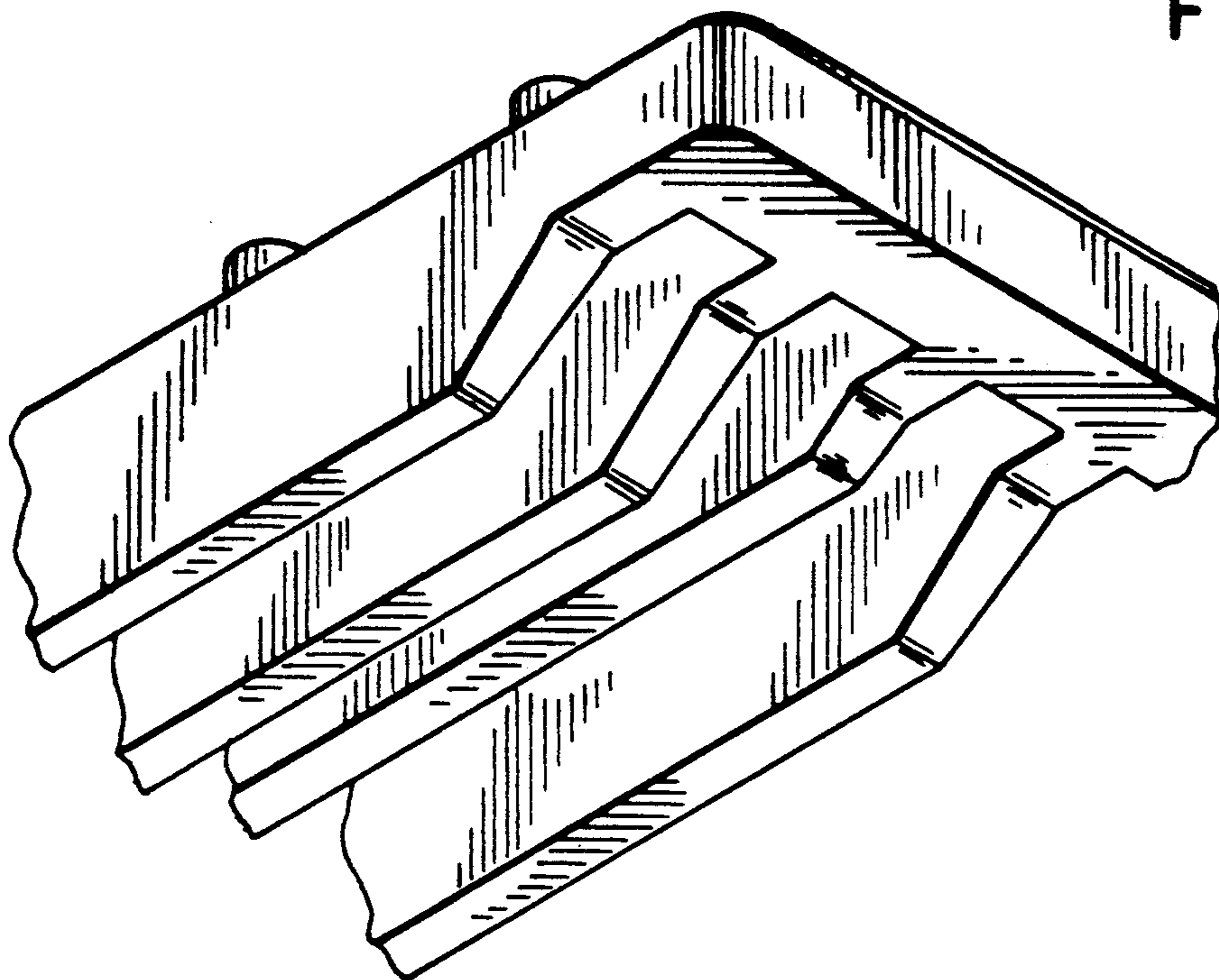


FIG. 9

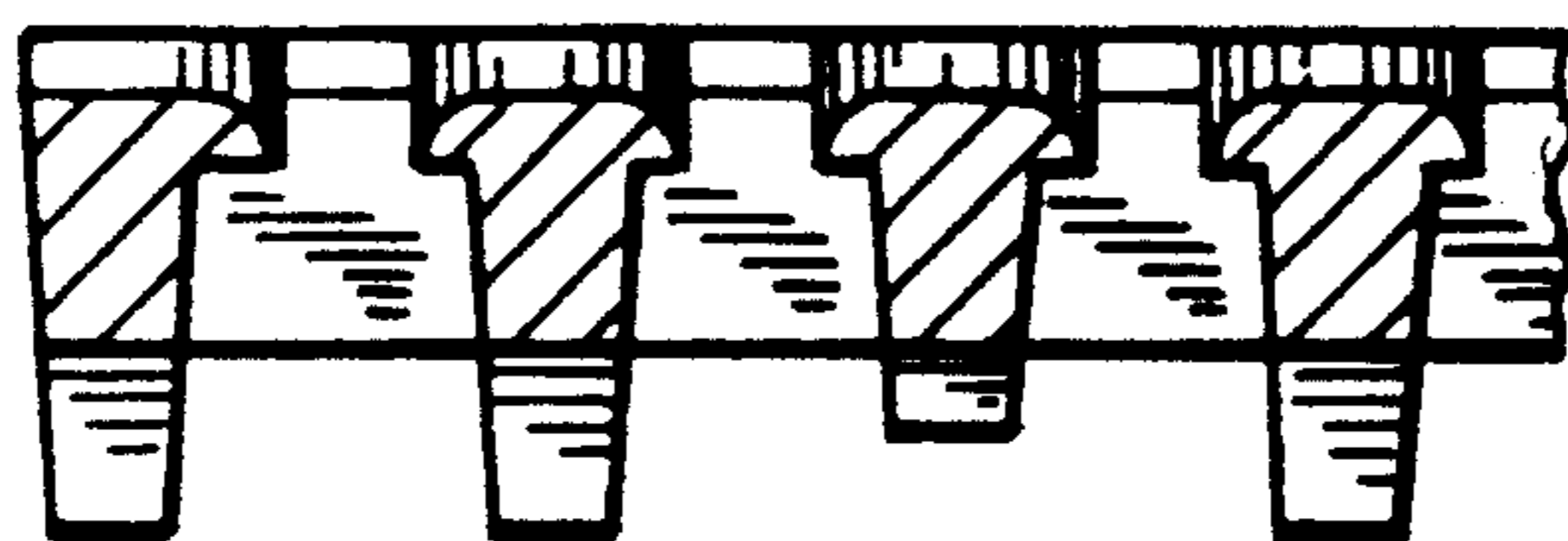


FIG. 10