



US00D332670S

# United States Patent [19] McFarland

[11] Patent Number: Des. 332,670

[45] Date of Patent: \*\* Jan. 19, 1993

[54] HAIR CURLING IRON SUPPORT STAND

[76] Inventor: James G. McFarland, 1076 Marla Dr., Milford, Ohio 45150

[\*\*] Term: 14 Years

[21] Appl. No.: 593,950

[22] Filed: Oct. 9, 1990

[52] U.S. Cl. .... D28/38; D8/380

[58] Field of Search ..... D28/18, 38, 73; D8/71, D8/355, 373, 371, 380; 219/242; 211/13, 60.1, 70.1, 70.6, 73; 248/117.1-117.7, 127, 174, 176, 309.1, 314

[56] References Cited

### U.S. PATENT DOCUMENTS

D. 230,827	3/1974	Brown	.....	D8/371 X
D. 238,211	12/1975	Waters et al.	.....	D28/38 X
D. 243,559	3/1977	Hoyle et al.	.....	D28/38
D. 293,488	12/1987	Emmons	.....	D28/38
D. 294,530	3/1988	Carluccio et al.	.....	D8/71 X
D. 304,670	11/1989	Johnson	.....	D8/71
D. 305,944	2/1990	Mellott	.....	D28/38
D. 313,341	1/1991	Gaboriault et al.	.....	D8/366
880,871	3/1908	Fell	.....	248/117.2
1,616,721	2/1927	Vallin	.....	248/117.3
2,200,435	5/1940	Thrasher	.....	248/314 X
2,355,883	8/1944	Mathews	.....	248/117.2 X

3,220,421	11/1965	Van Droogenbroek et al.	...	132/232
3,267,254	8/1966	Weller et al.	.....	219/242
3,294,348	12/1966	Cerisano	.....	248/117.4
3,964,709	6/1976	LaBelle et al.	.....	248/174 X
4,103,145	7/1978	Oliveri	.....	219/222
4,278,225	7/1981	Phelps	.....	D8/317 X
4,354,093	10/1982	Zago	.....	219/225
4,671,476	6/1987	Yim	.....	248/117.2
4,803,341	2/1989	Barowski et al.	.....	219/222

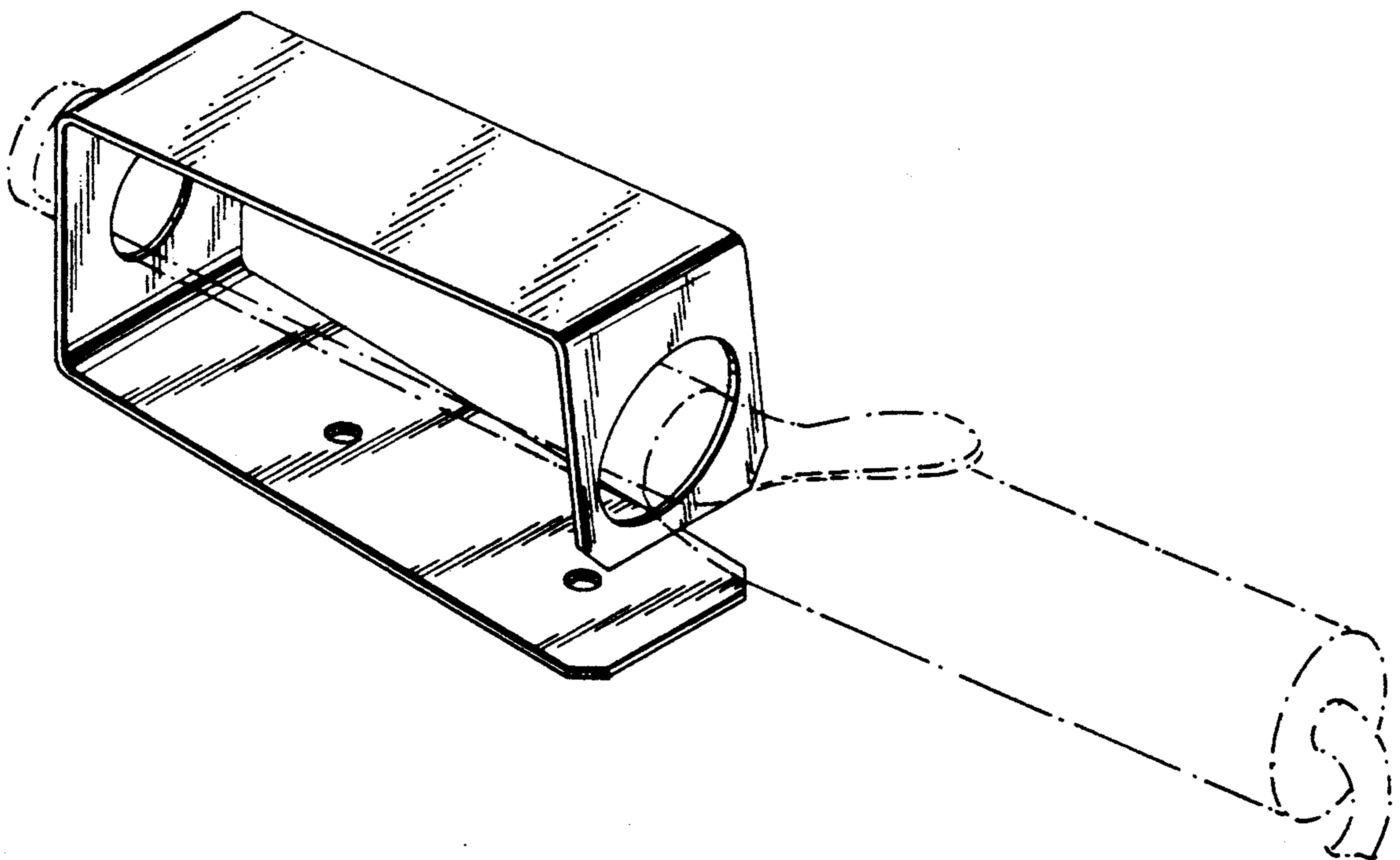
Primary Examiner—Bernard Ansher  
Assistant Examiner—C. Tuttle  
Attorney, Agent, or Firm—Wood, Herron & Evans

### [57] CLAIM

The ornamental design for a hair curling iron support stand, as shown and described.

### DESCRIPTION

FIG. 1 is a perspective view of a hair curling iron support stand showing my new design in use; FIG. 2 is a left side elevational view thereof, the side opposite being a mirror image of the side shown; FIG. 3 is a front elevational view thereof; FIG. 4 is a rear elevational view thereof; FIG. 5 is a top plan view thereof; and, FIG. 6 is a bottom plan view thereof. The broken line showing of a hair curling iron in FIG. 1 is for illustrative purposes only and forms no part of the claimed design.



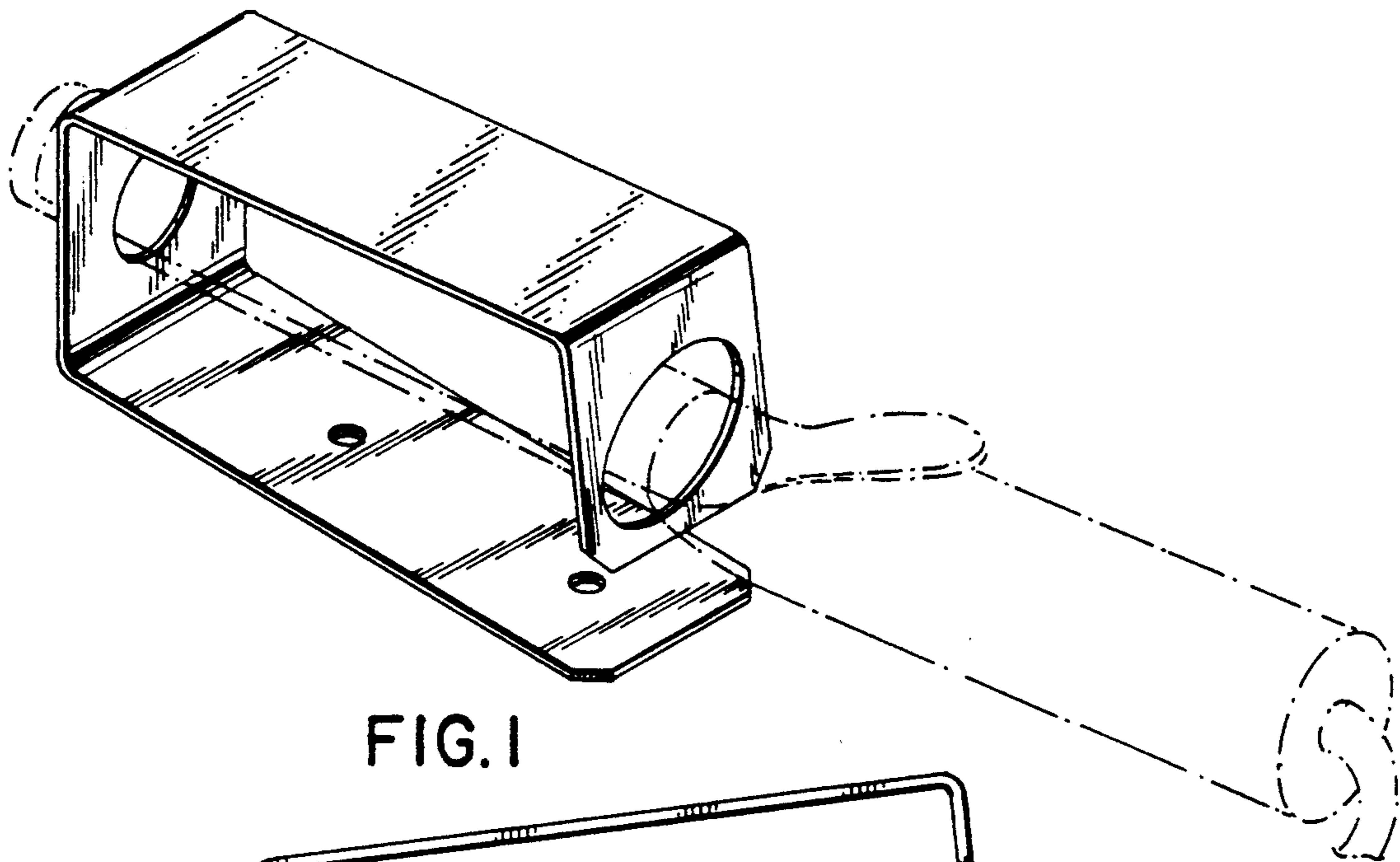


FIG. 1

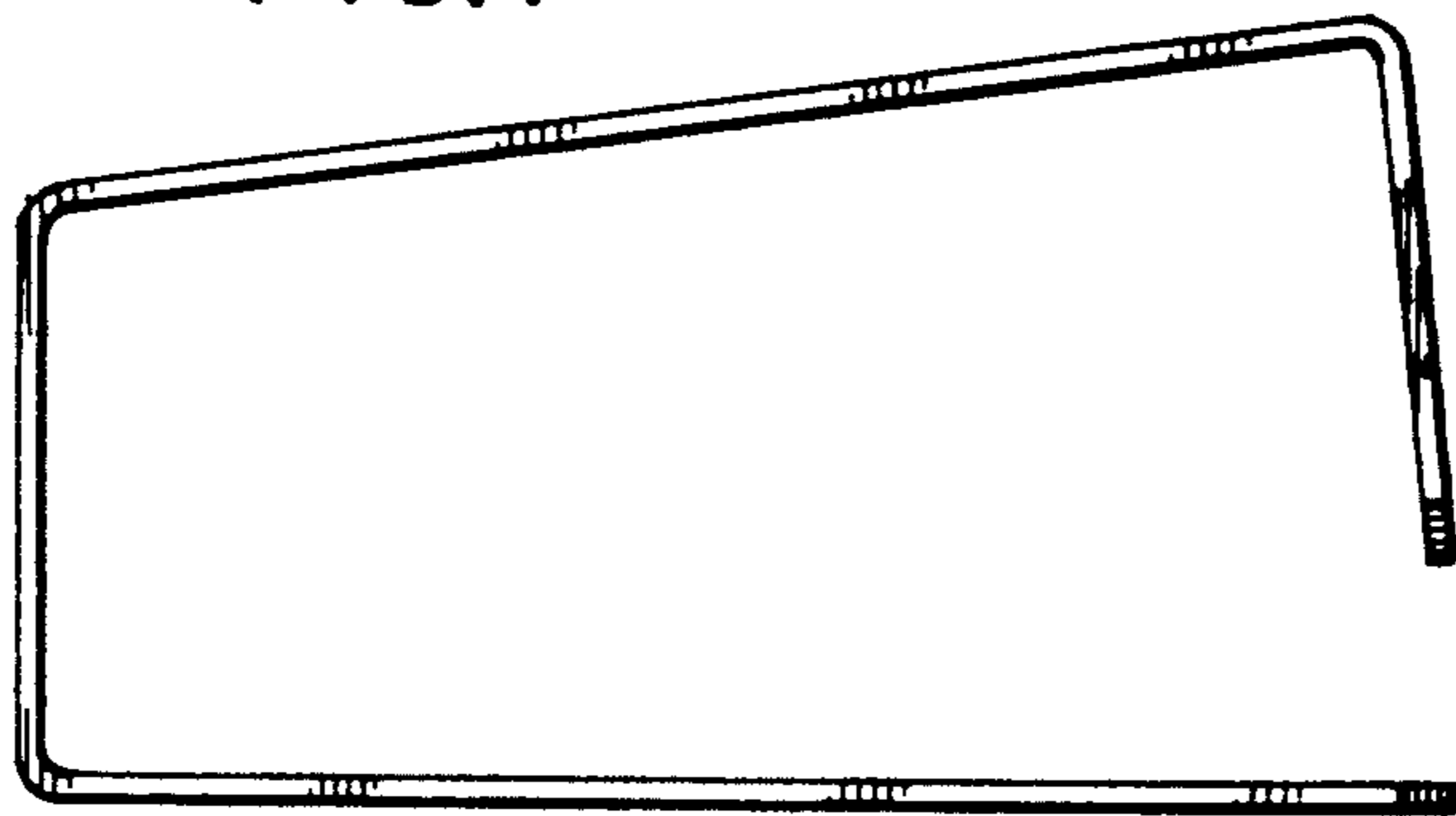


FIG. 2

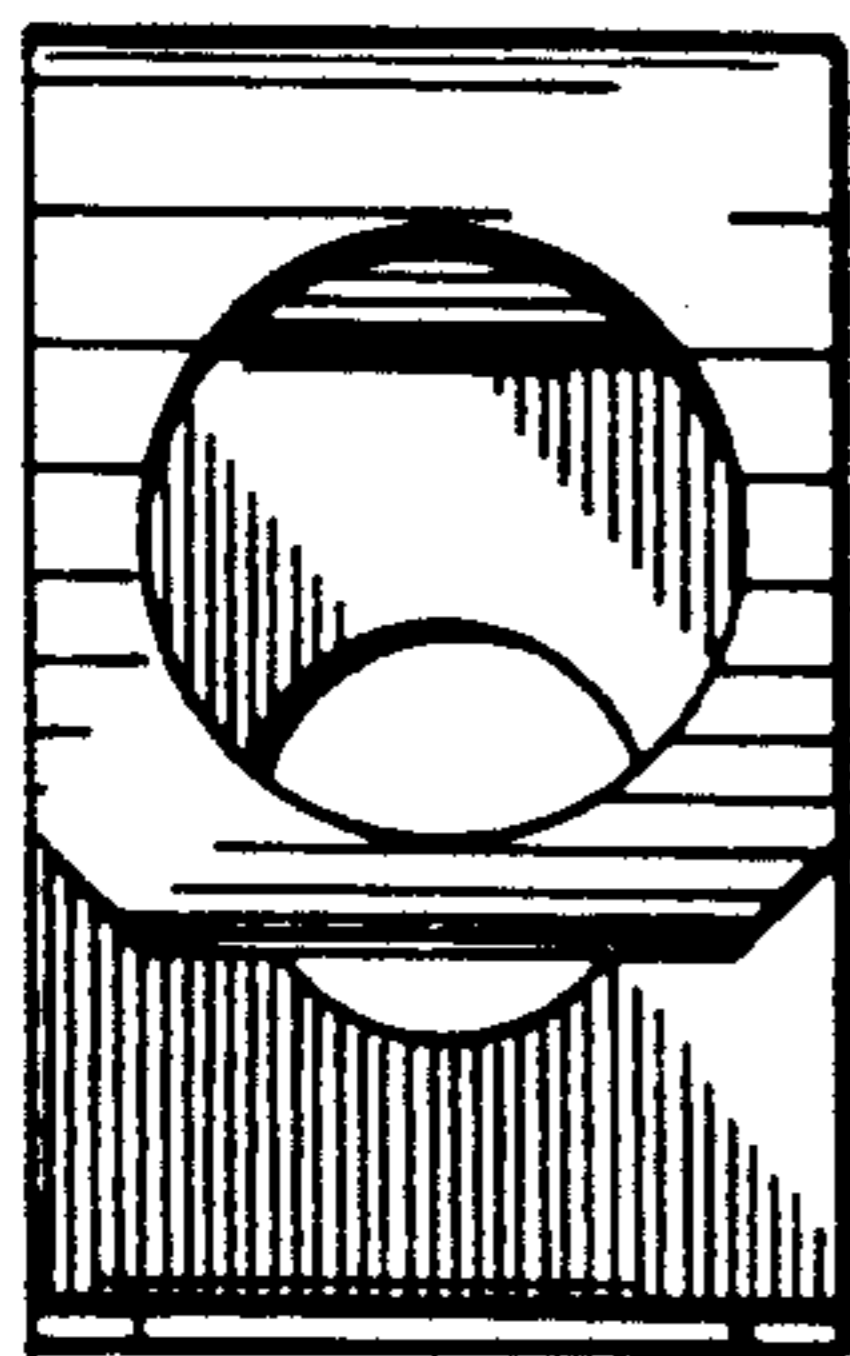


FIG. 3



FIG. 5

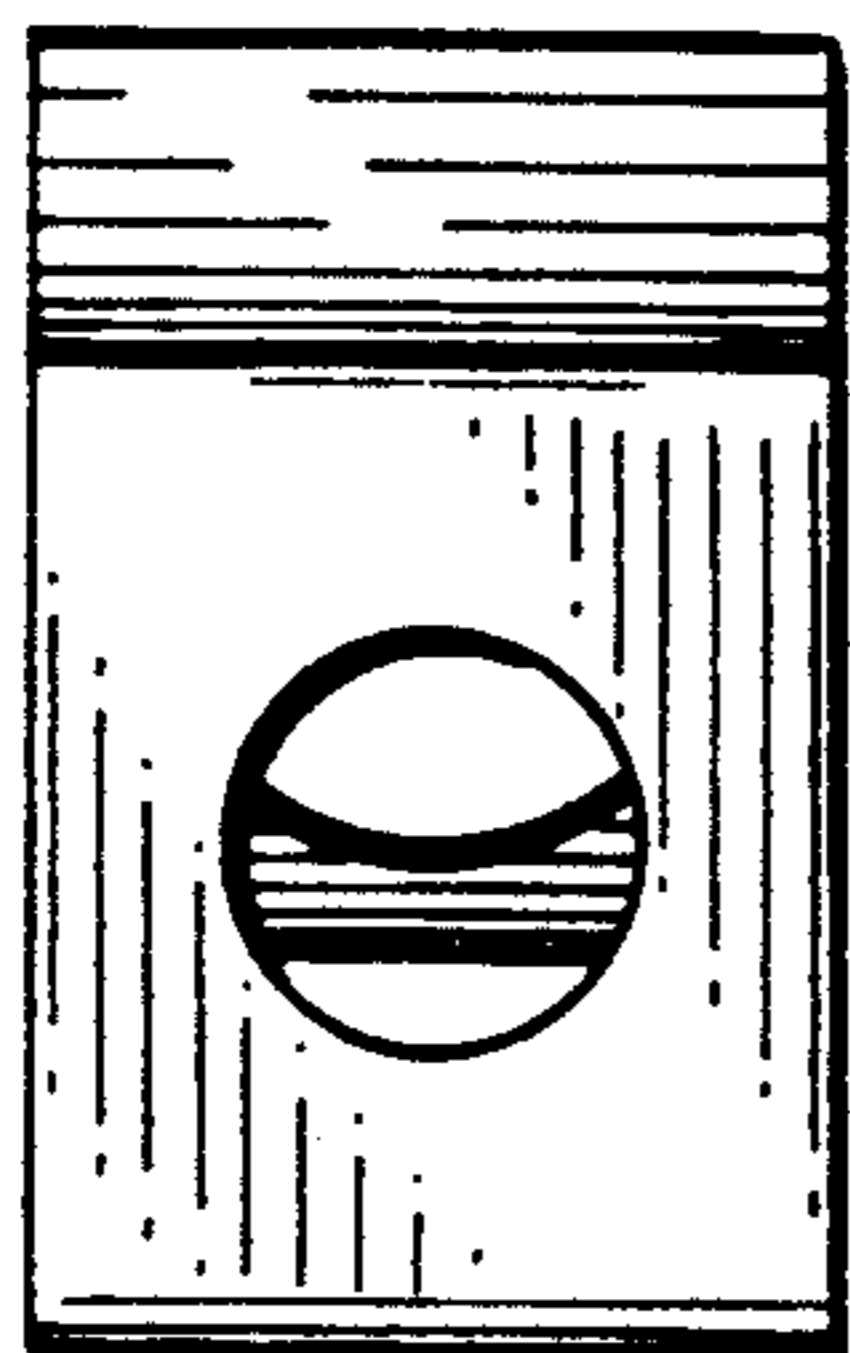


FIG. 4

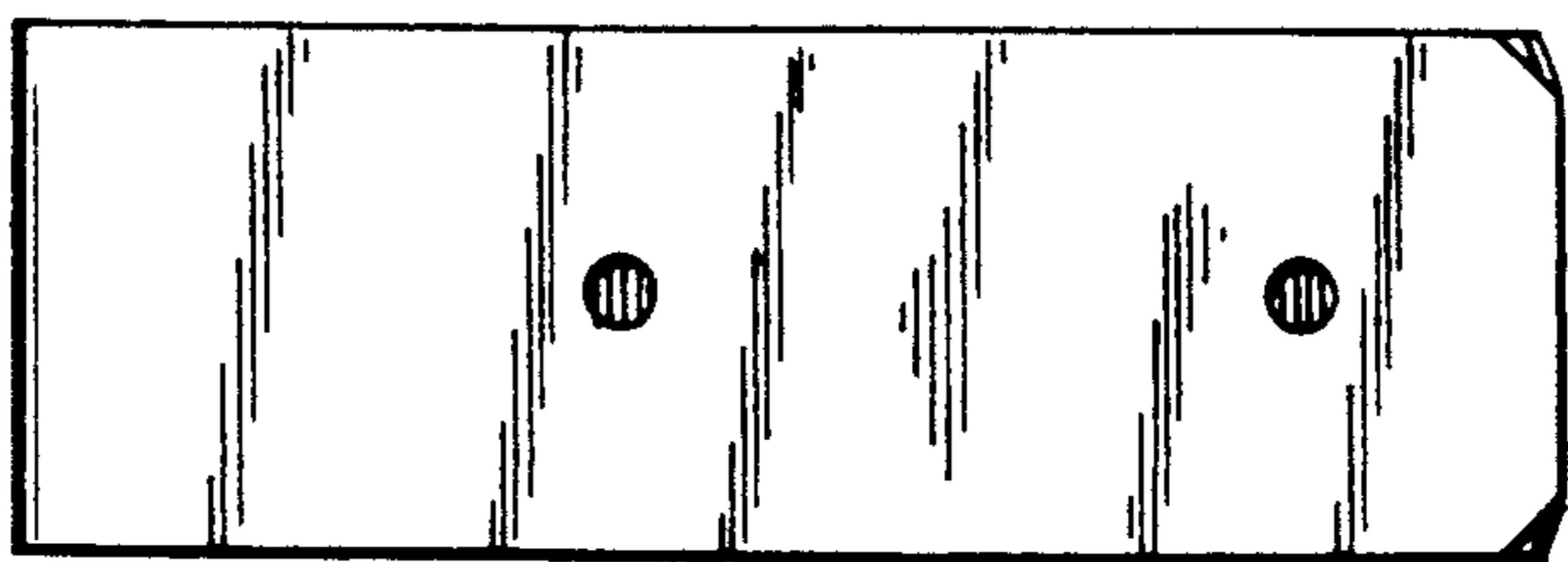


FIG. 6