



US00D332665S

United States Patent [19]

Garrison

[11] Patent Number: Des. 332,665

[45] Date of Patent: ** Jan. 19, 1993

[54] WINDMILL

[76] Inventor: **Richard E. Garrison**, 1961 Canal Rd.
South, Eaton Rapids, Mich. 48827

[**] Term: **14 Years**

[21] Appl. No.: **627,370**

[22] Filed: **Dec. 14, 1990**

[52] U.S. Cl. **D25/1; D21/93**

[58] Field of Search **D25/1; D21/119, 93;**
446/217, 218; 416/13; 415/2.1, 4.1, 4.3, 4.5,
905, 908; D10/52, 59, 60

4,204,271 5/1980 Braly D10/59 X
4,316,096 2/1982 Syverson 416/13 X

FOREIGN PATENT DOCUMENTS

51525 1/1912 Fed. Rep. of Germany 446/217
262581 7/1949 Switzerland 446/217

Primary Examiner—A. Hugo Word
Assistant Examiner—Paula A. Mortimer
Attorney, Agent, or Firm—Leon Gilden

[57] CLAIM

The ornamental design for a windmill, as shown and described.

[56] References Cited

U.S. PATENT DOCUMENTS

D. 139,343 11/1944 Temnitz D21/119
D. 218,466 8/1970 Fier, Jr. et al. D25/1 X
742,032 10/1903 Johnson 446/217 X
1,093,062 4/1914 Mellinger D10/59
1,593,078 7/1926 Jacobs D11/165 X
2,533,110 12/1950 Harbert 446/218

DESCRIPTION

FIG. 1 is a front elevational view of the windmill showing my new design;
FIG. 2 is a rear elevational view thereof;
FIG. 3 is a left side elevational view thereof;
FIG. 4 is a right side elevational view thereof;
FIG. 5 is a top plan view thereof; and,
FIG. 6 is a bottom plan view thereof.

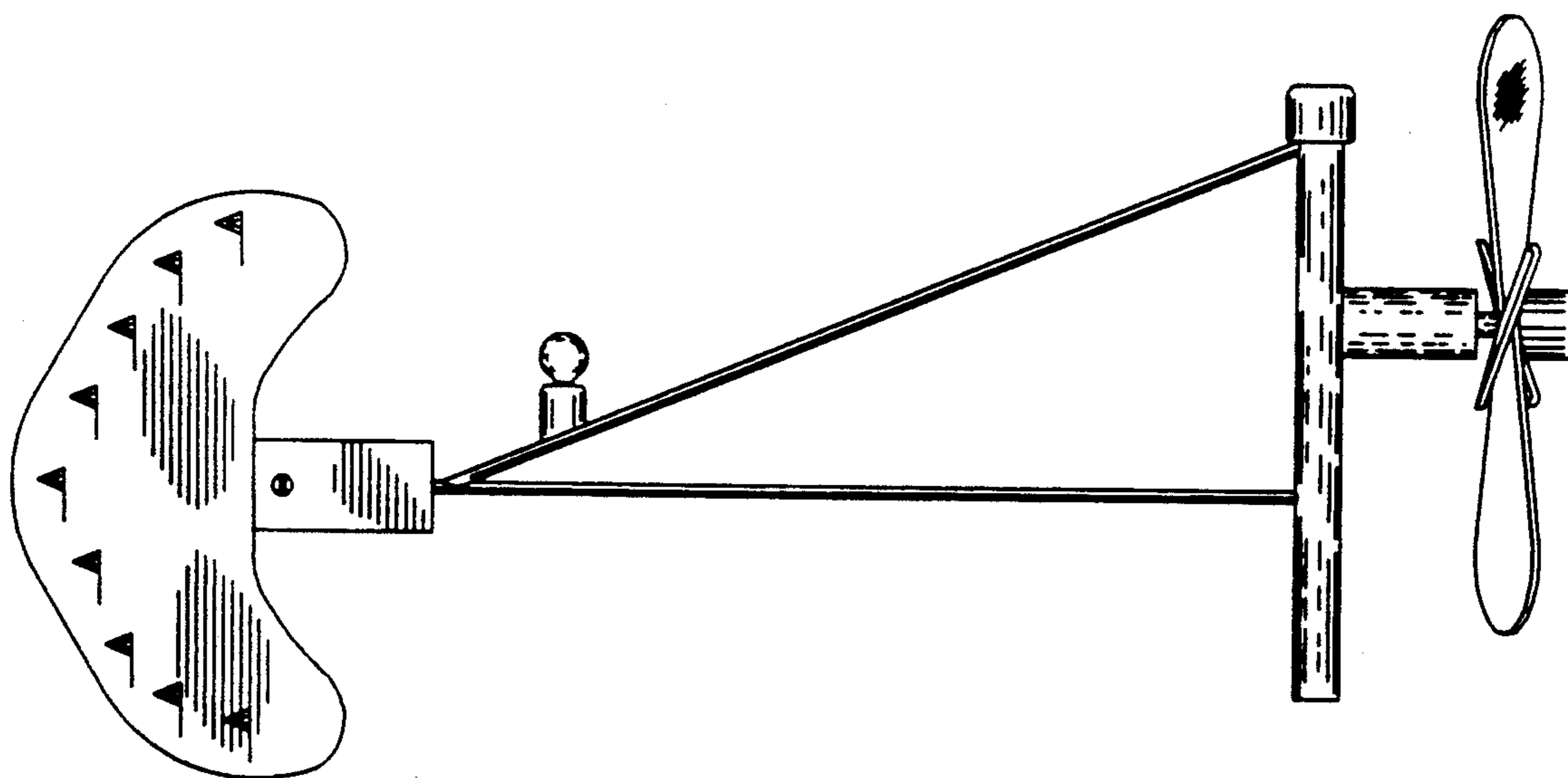


FIG. 1

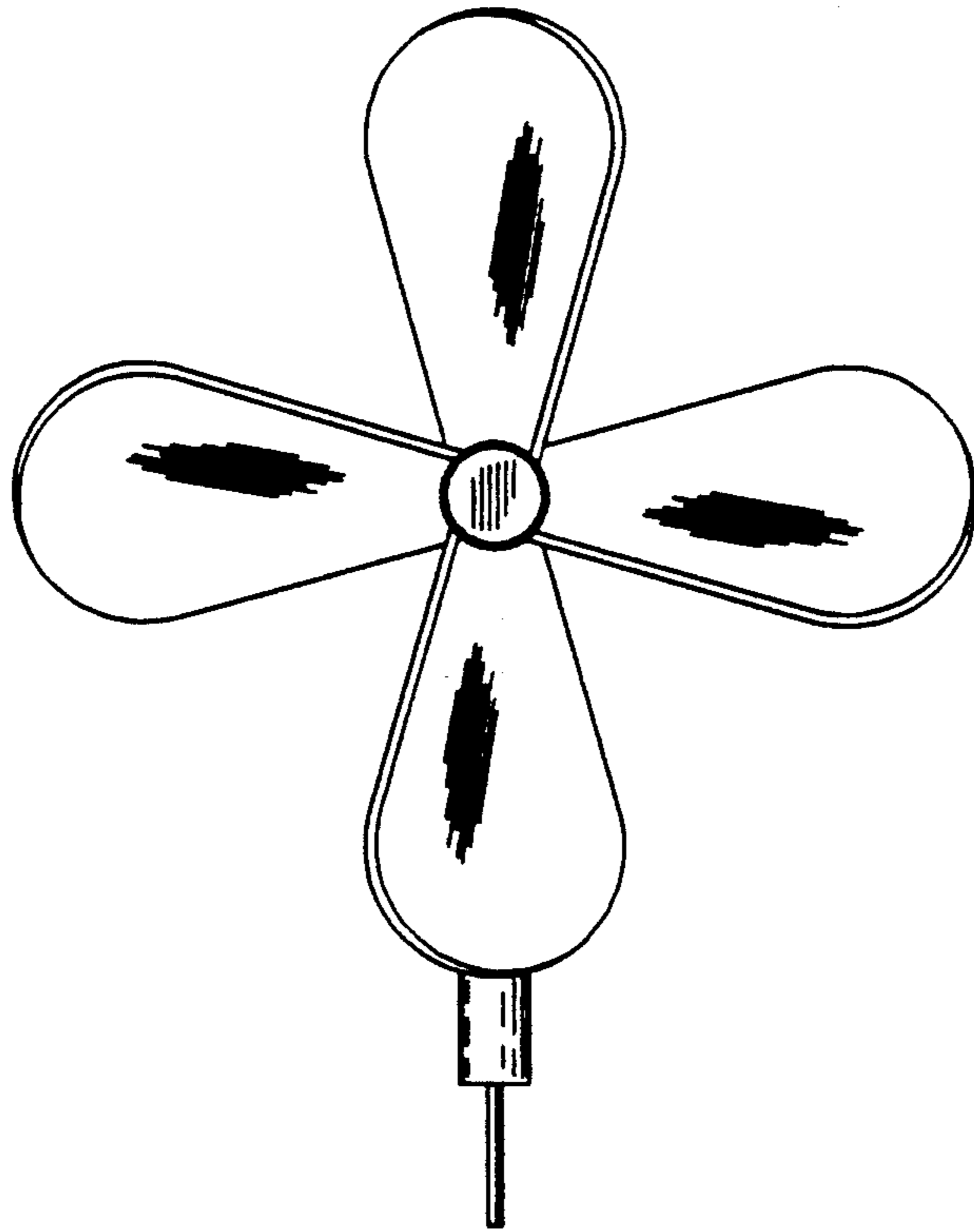


FIG. 2

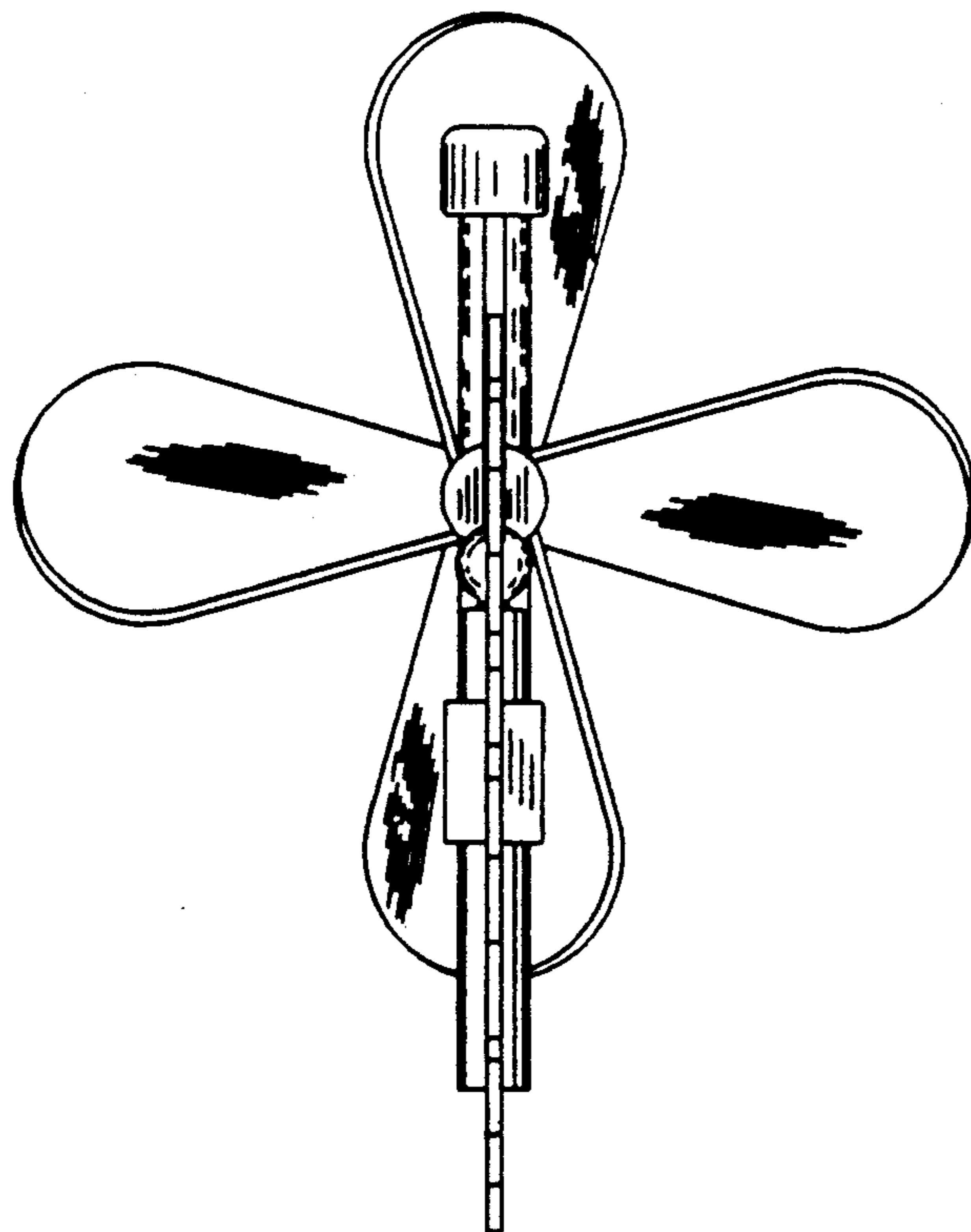


FIG. 3

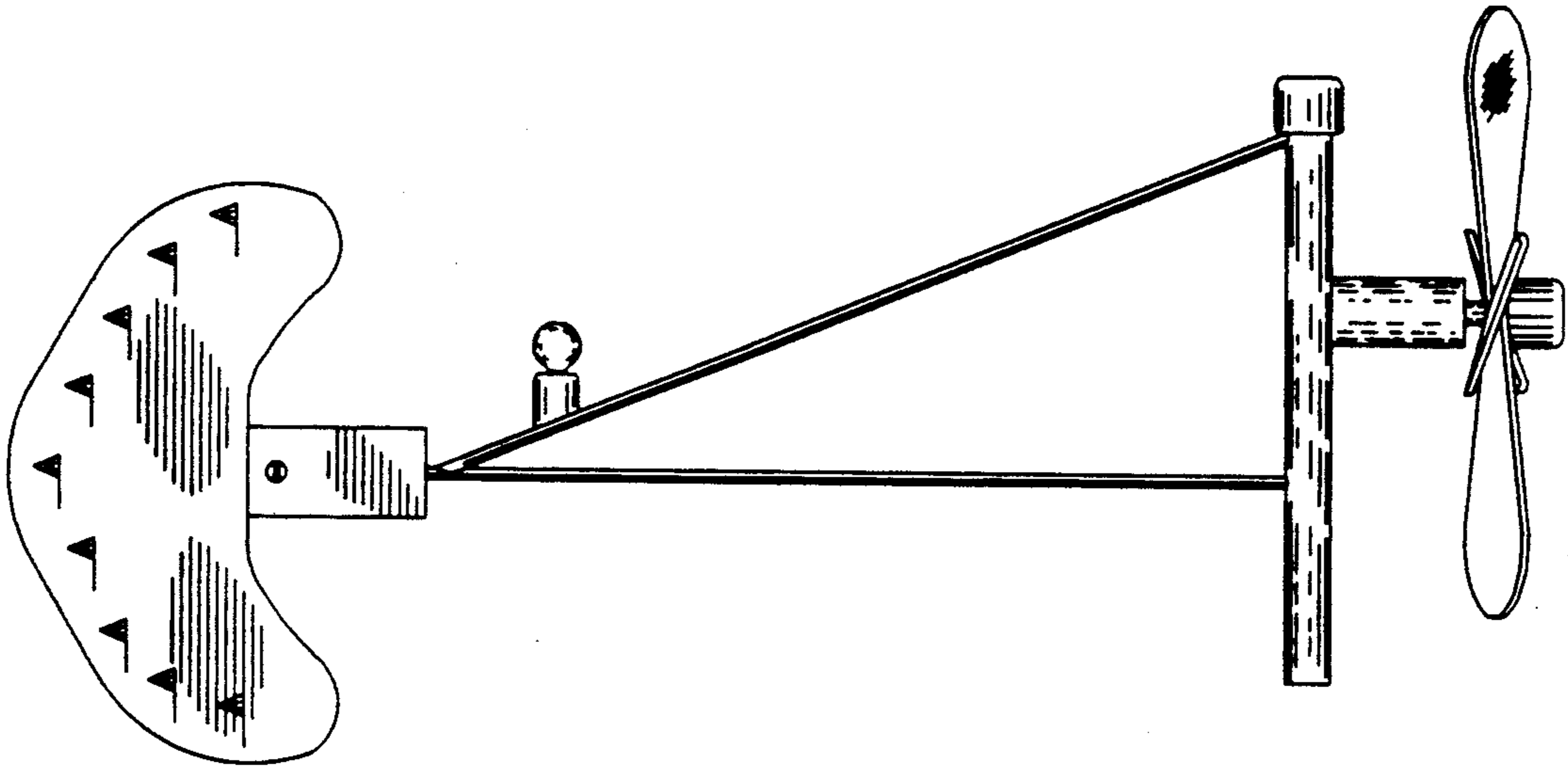


FIG. 4

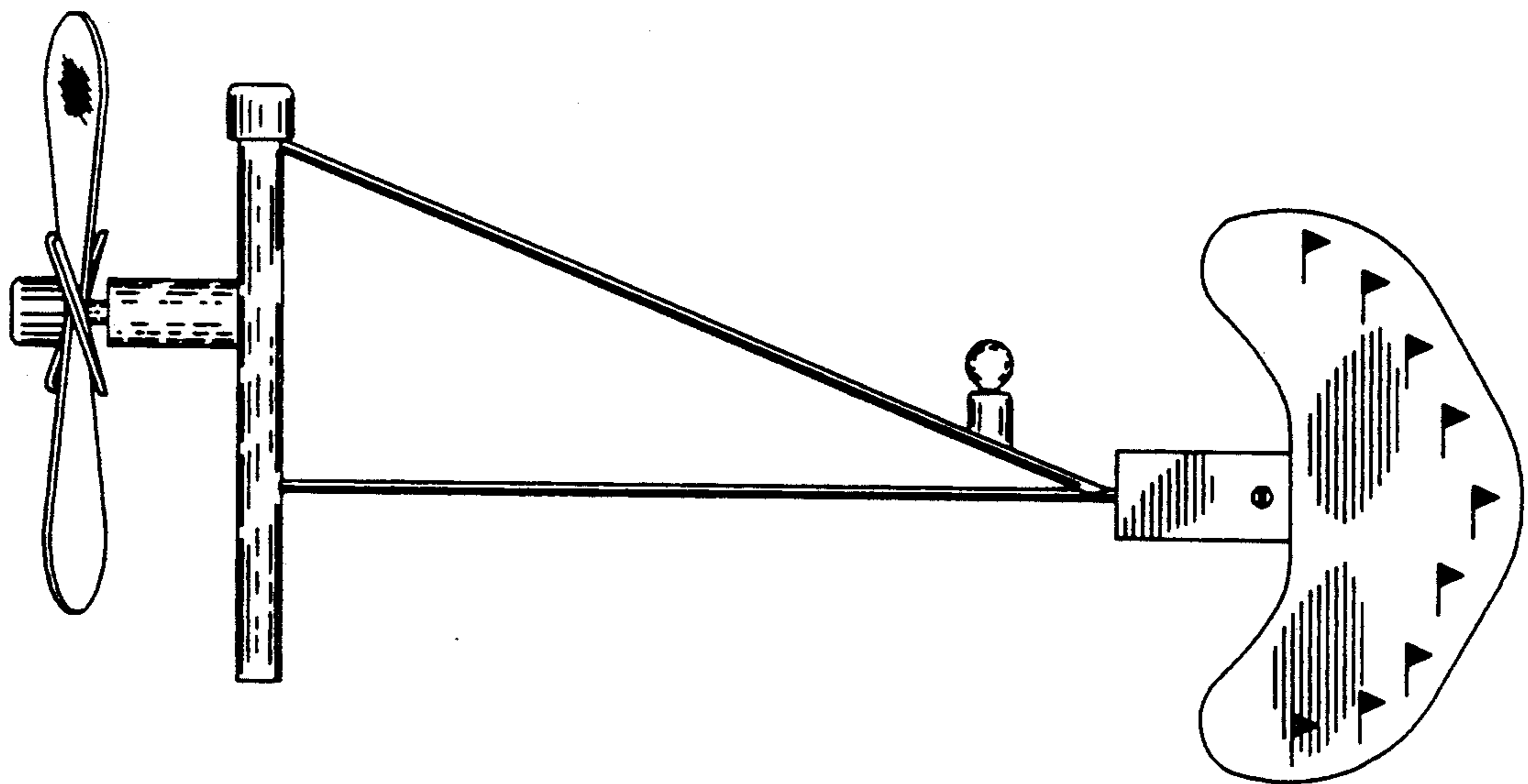


FIG. 5

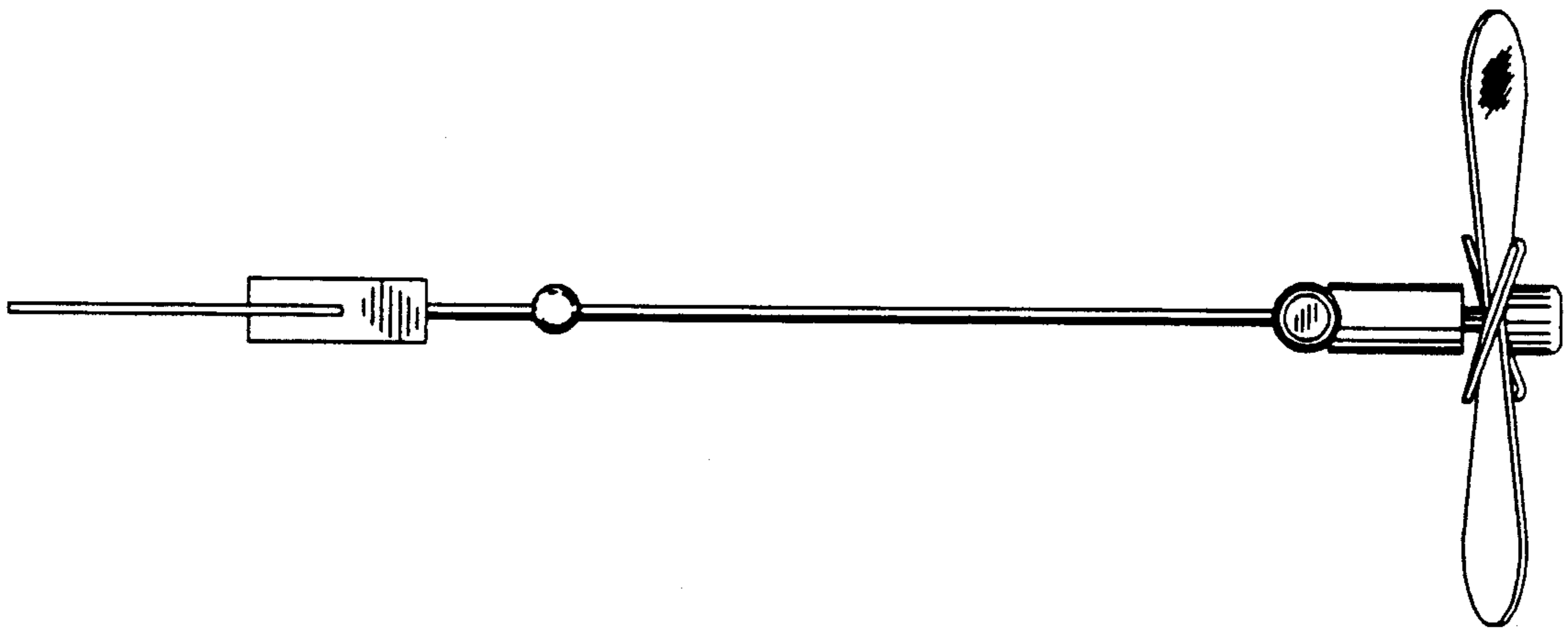


FIG. 6

