



US00D332663S

# United States Patent [19]

[11] Patent Number: Des. 332,663

Liszewski

[45] Date of Patent: \*\* Jan. 19, 1993

[54] COMBINED ORTHOPEDIC PILLOW AND STRAPPING

4,392,489	7/1983	Wagner, Sr.	128/80
4,679,263	7/1987	Honer	5/636 X
4,736,477	4/1988	Moore	5/443

[76] Inventor: Timothy P. Liszewski, 115 Henrietta Blvd., Amsterdam, N.Y. 12010

Primary Examiner—Stella Reid  
Attorney, Agent, or Firm—Heslin & Rothenberg

[\*\*] Term: 14 Years

[57] CLAIM

[21] Appl. No.: 491,841

The ornamental design for a combined orthopedic pillow and strapping, as shown and described.

[22] Filed: Mar. 12, 1990

[52] U.S. Cl. D24/190

[58] Field of Search D24/190, 191, 192; 5/650, 636, 648; D6/601, 604; 128/112.1, 79, 76, 75, 53-56, 41; 2/22, 24

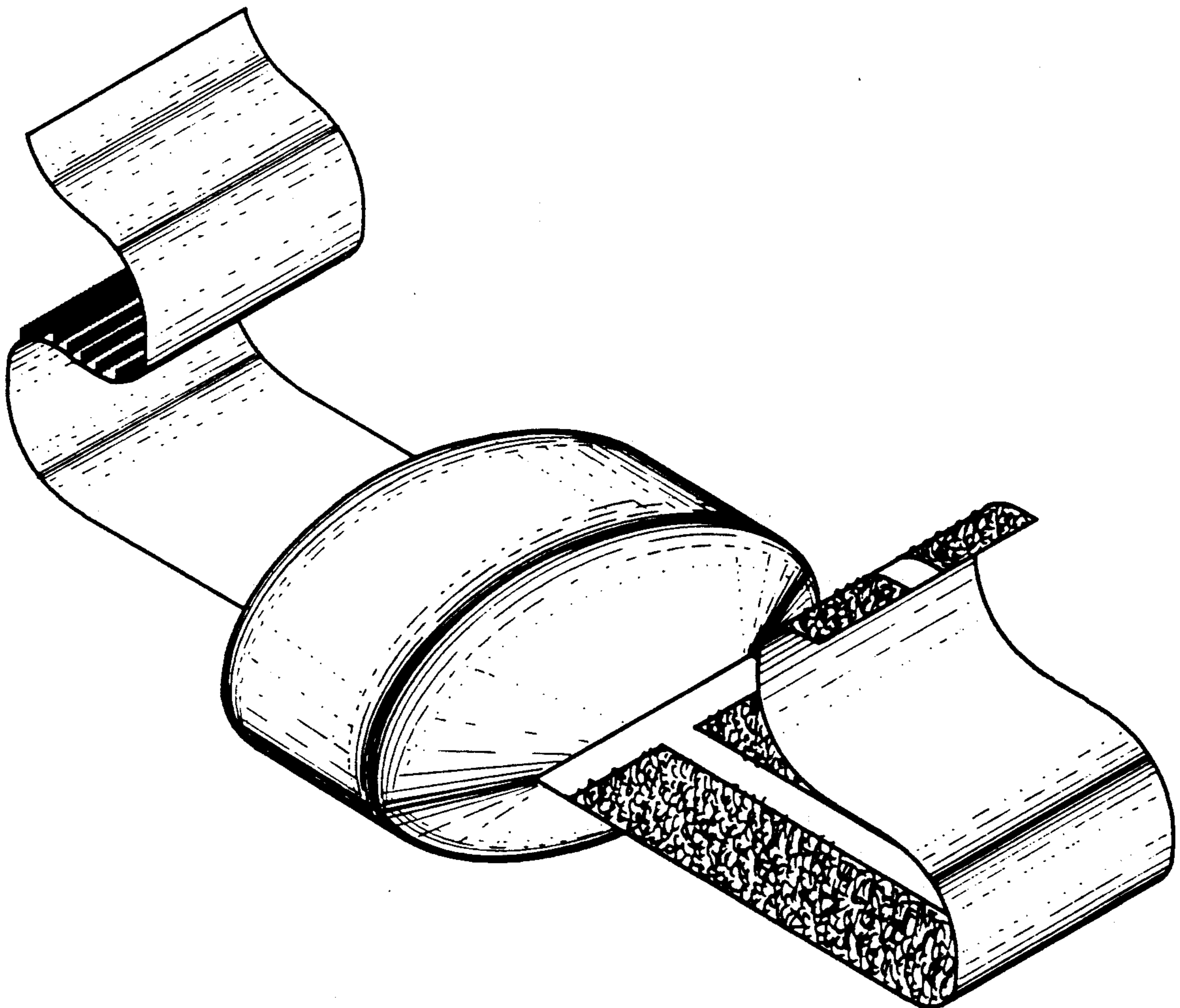
DESCRIPTION

[56] References Cited

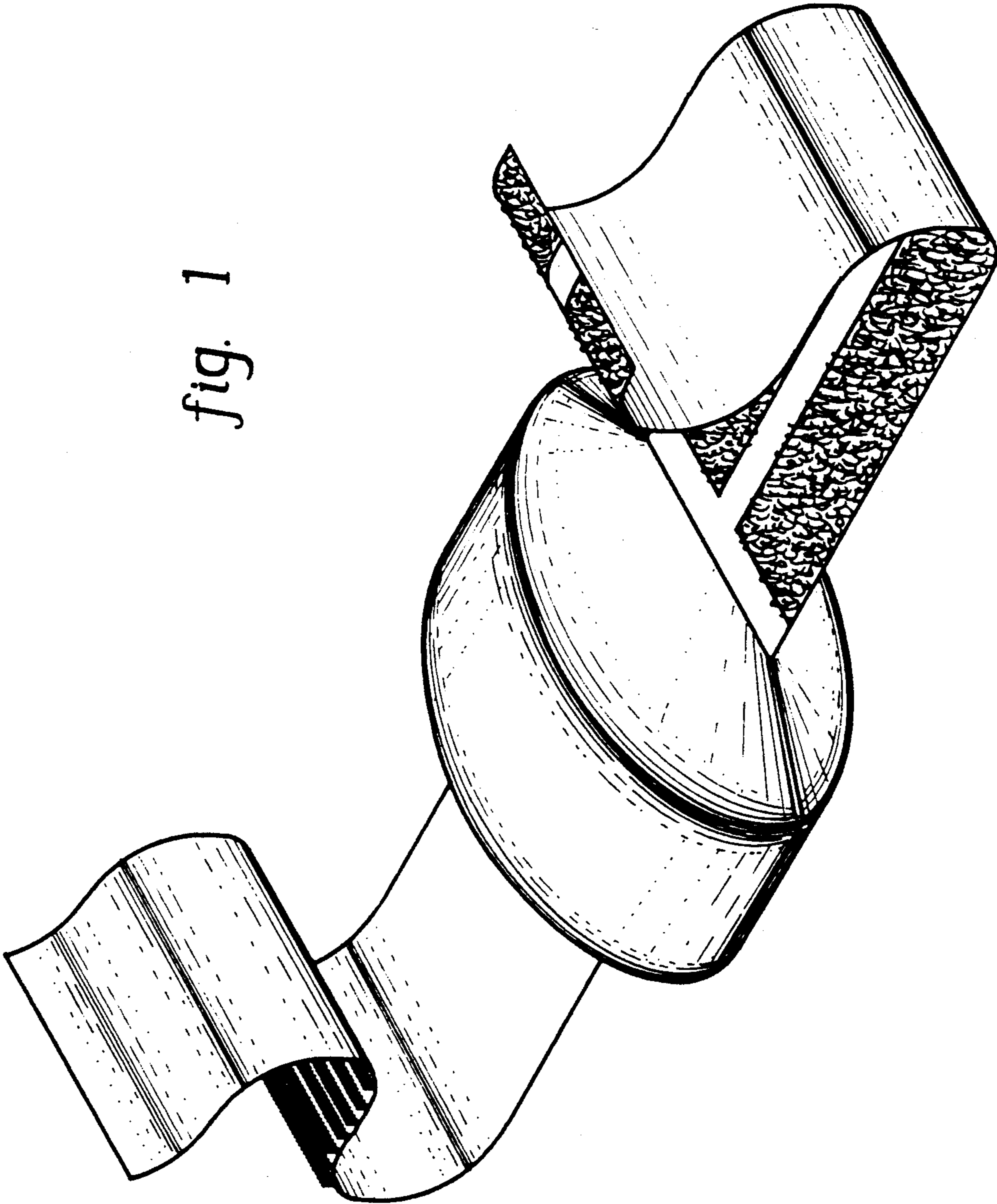
U.S. PATENT DOCUMENTS

D. 270,556	9/1983	Kniesley	D24/190 X
D. 296,930	7/1988	Carabelli	D24/190
3,307,547	3/1967	Jones et al.	602/79
4,019,504	4/1977	Sterling	128/88
4,135,504	1/1979	Spann	5/648 X
4,177,806	12/1979	Griffin	128/132 R
4,210,317	7/1980	Spann et al.	269/328

FIG. 1 is a prospective view of a combined orthopedic pillow and strapping, showing my new design; FIG. 2 is a top plan view thereof; FIG. 3 is a bottom plan view thereof; FIG. 4 is a front elevational view thereof; FIG. 5 is a back elevational view thereof; FIG. 6 is a side elevational view thereof; FIG. 7 is a side elevational view thereof, opposite that shown in FIG. 6; and, FIG. 8 is a side elevational view thereof, in use position, the broken line showing of the legs is for illustrative purposes only and forms no part of the claimed design.



*fig. 1*



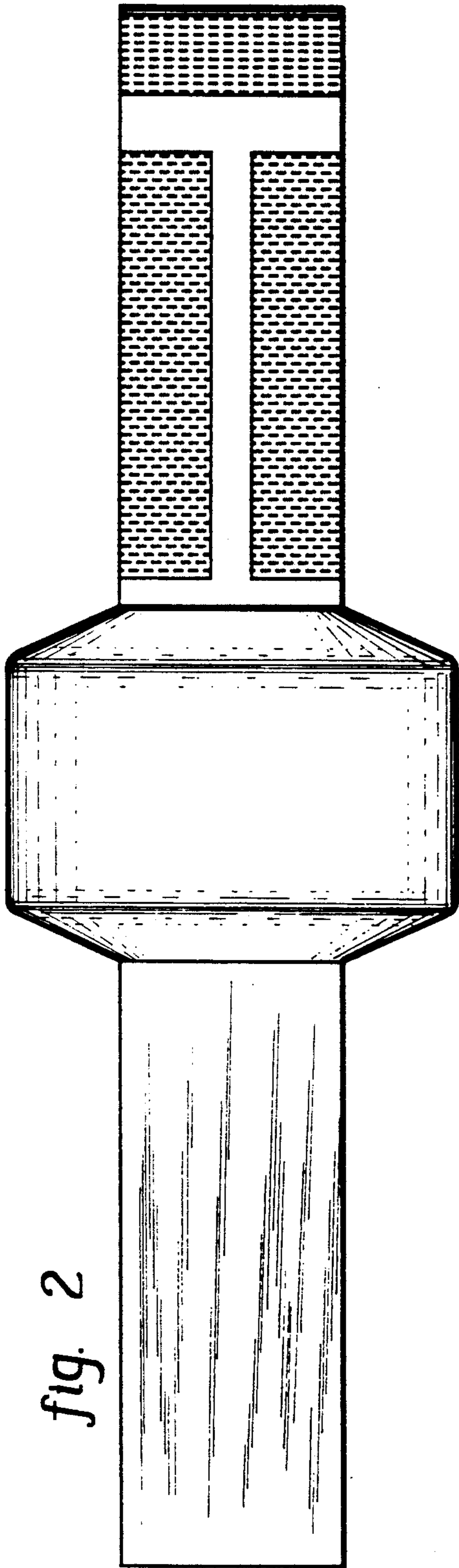


fig. 2

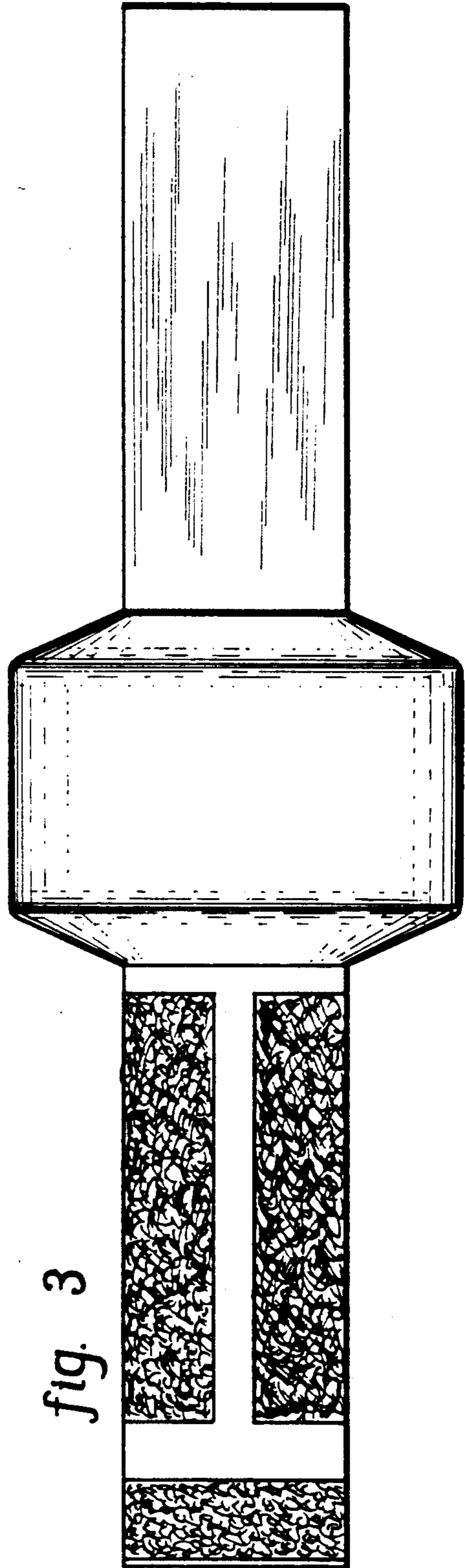


fig. 3



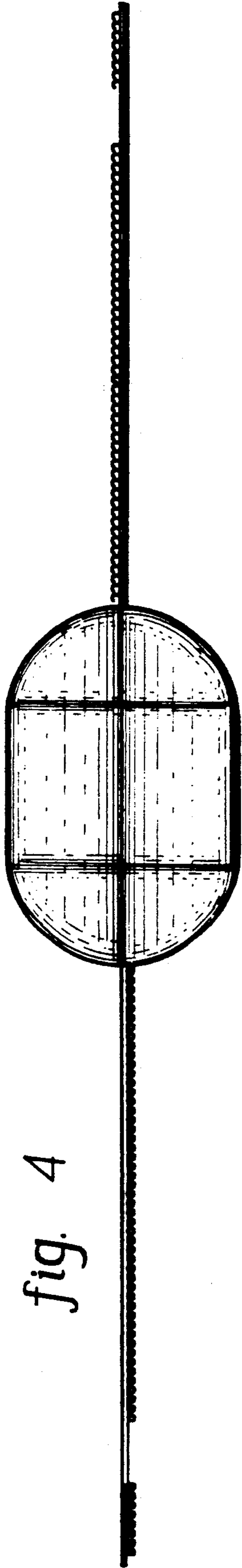


fig. 4

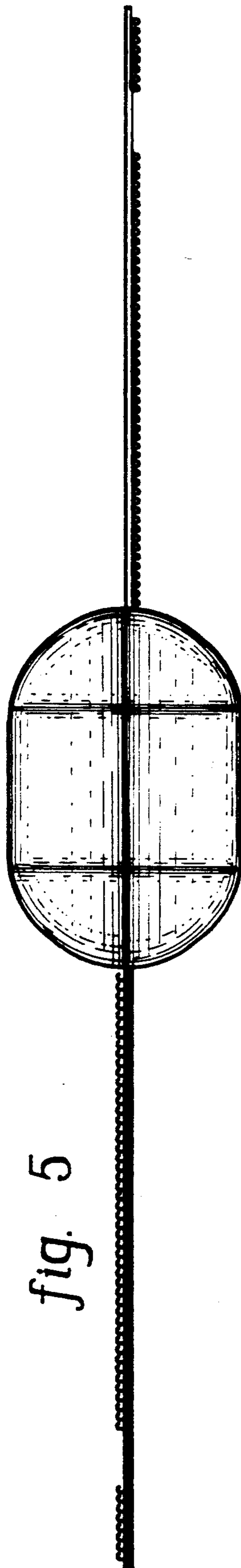


fig. 5

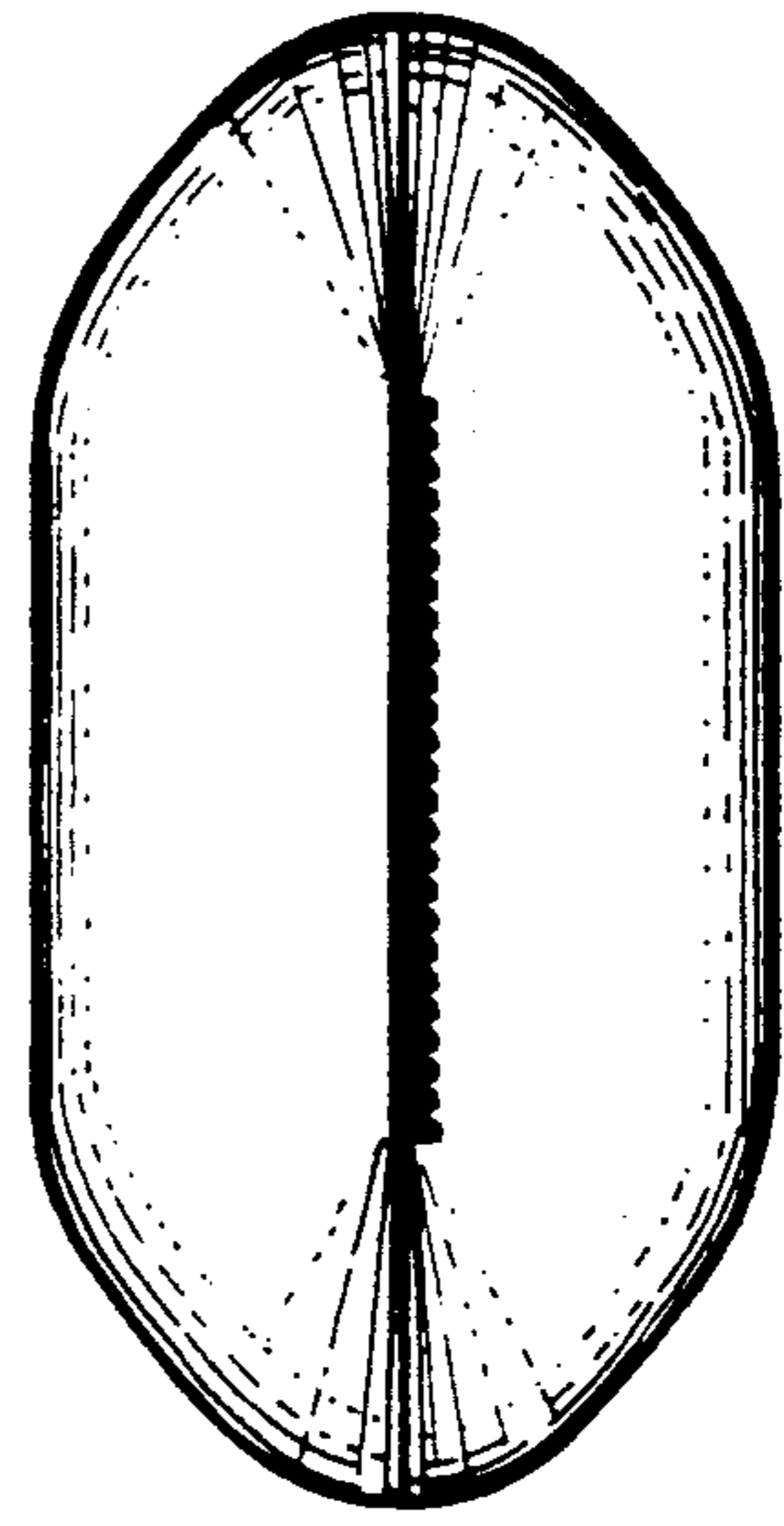


fig. 6

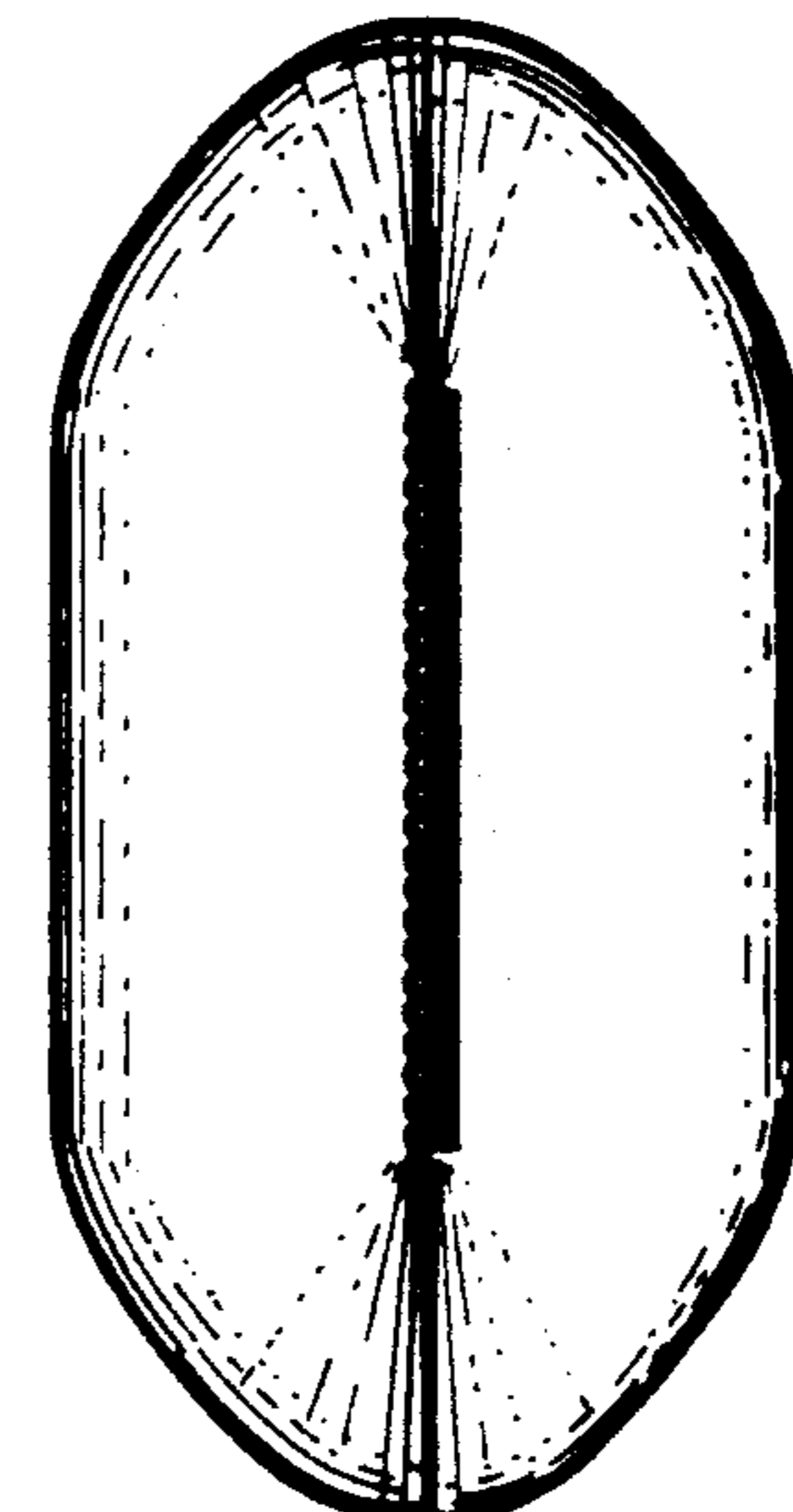


fig. 7

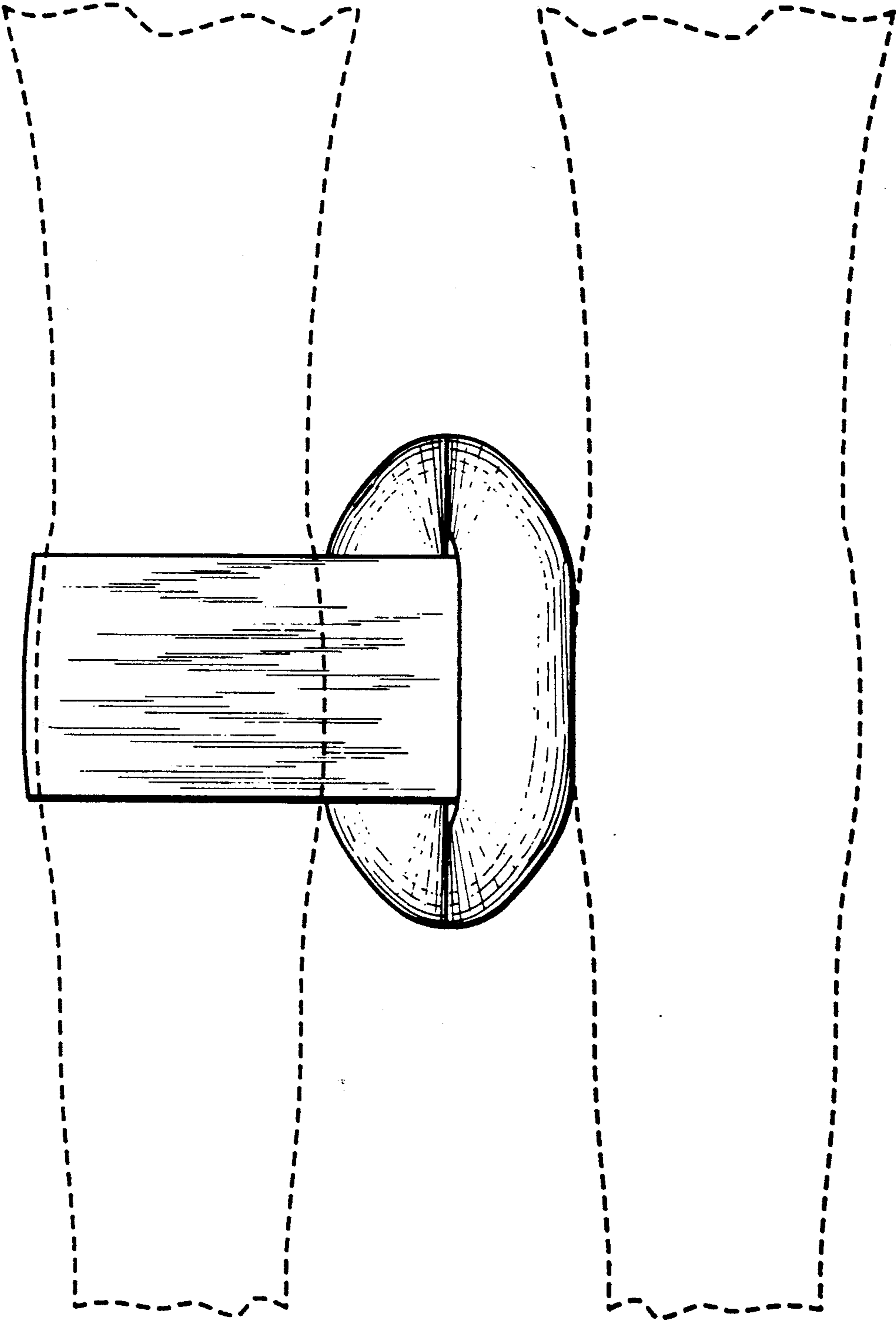


fig. 8