



US00D332662S

United States Patent [19]

[11] Patent Number: **Des. 332,662**

Miya

[45] Date of Patent: **** Jan. 19, 1993**

- [54] **PORTABLE OXYGEN SYSTEM**
- [75] Inventor: **Tomio Miya, Culver City, Calif.**
- [73] Assignee: **American Safety Flight Systems, Inc., Glendale, Calif.**
- [**] Term: **14 Years**
- [21] Appl. No.: **570,290**
- [22] Filed: **Aug. 20, 1990**
- [52] U.S. Cl. **D24/164**
- [58] Field of Search **D24/164; 128/204.23, 128/204.18, 207.18, 203.17, 200.28, 909; 55/179, 21, 68, 163**

- 2,390,236 12/1945 Boothby et al. **D24/164 X**
- 4,502,873 3/1985 Mottram et al. **D24/164 X**
- 4,826,510 5/1989 McCombs **D24/164 X**

Primary Examiner—Stella Reid
Attorney, Agent, or Firm—Graham & James

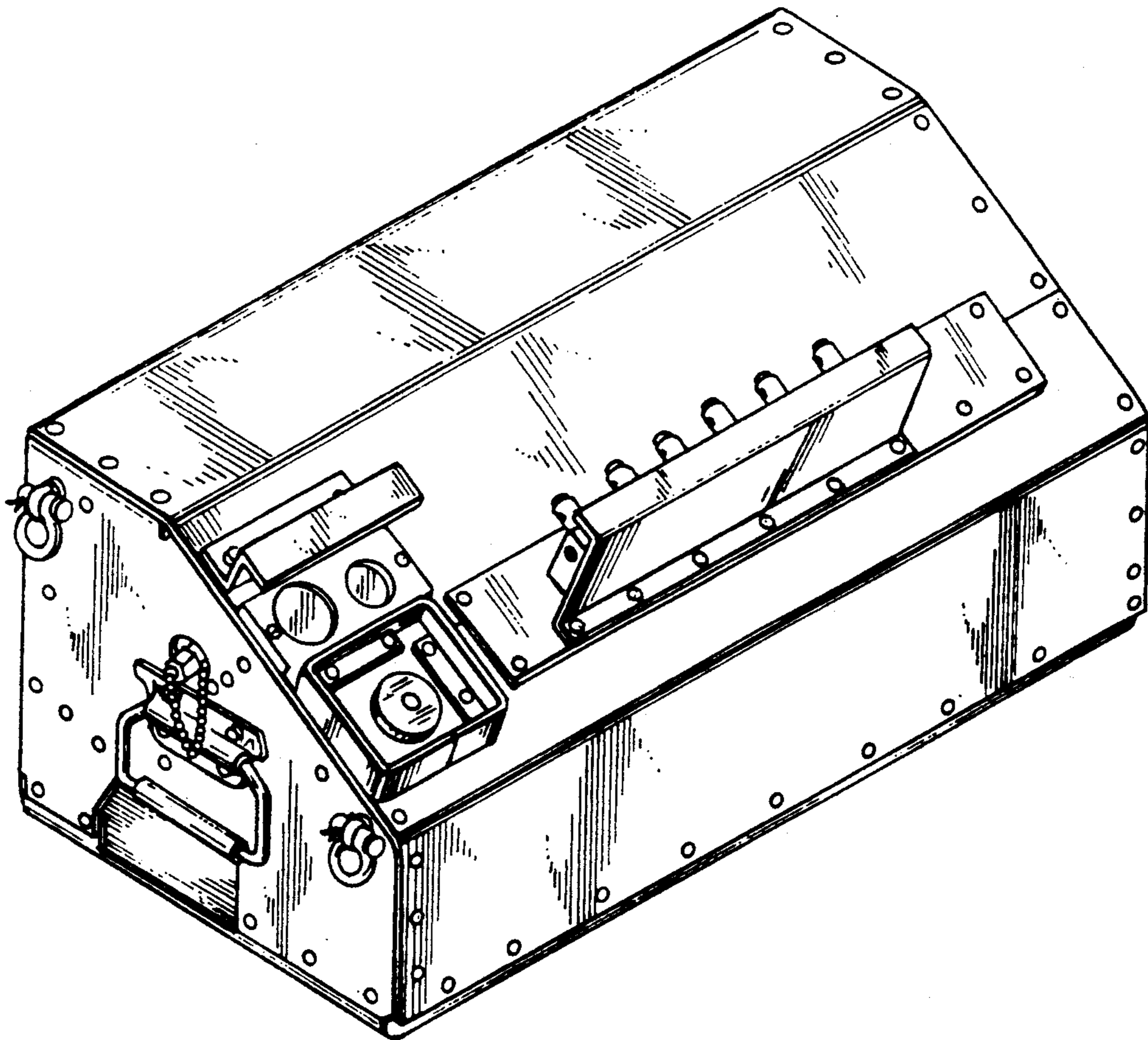
[57] CLAIM

The ornamental design for a portable oxygen system, as shown.

DESCRIPTION

FIG. 1 is a front perspective view of a portable oxygen system showing my new design;
 FIG. 2 is a right end elevational view thereof;
 FIG. 3 is a left end elevational view thereof;
 FIG. 4 is a top plan view thereof; and,
 FIG. 5 is a front elevational view thereof.
 The bottom and rear of the article are substantially plain and unornamented.

- [56] **References Cited**
- U.S. PATENT DOCUMENTS**
- D. 325,633 4/1992 Mano et al. **D24/164**



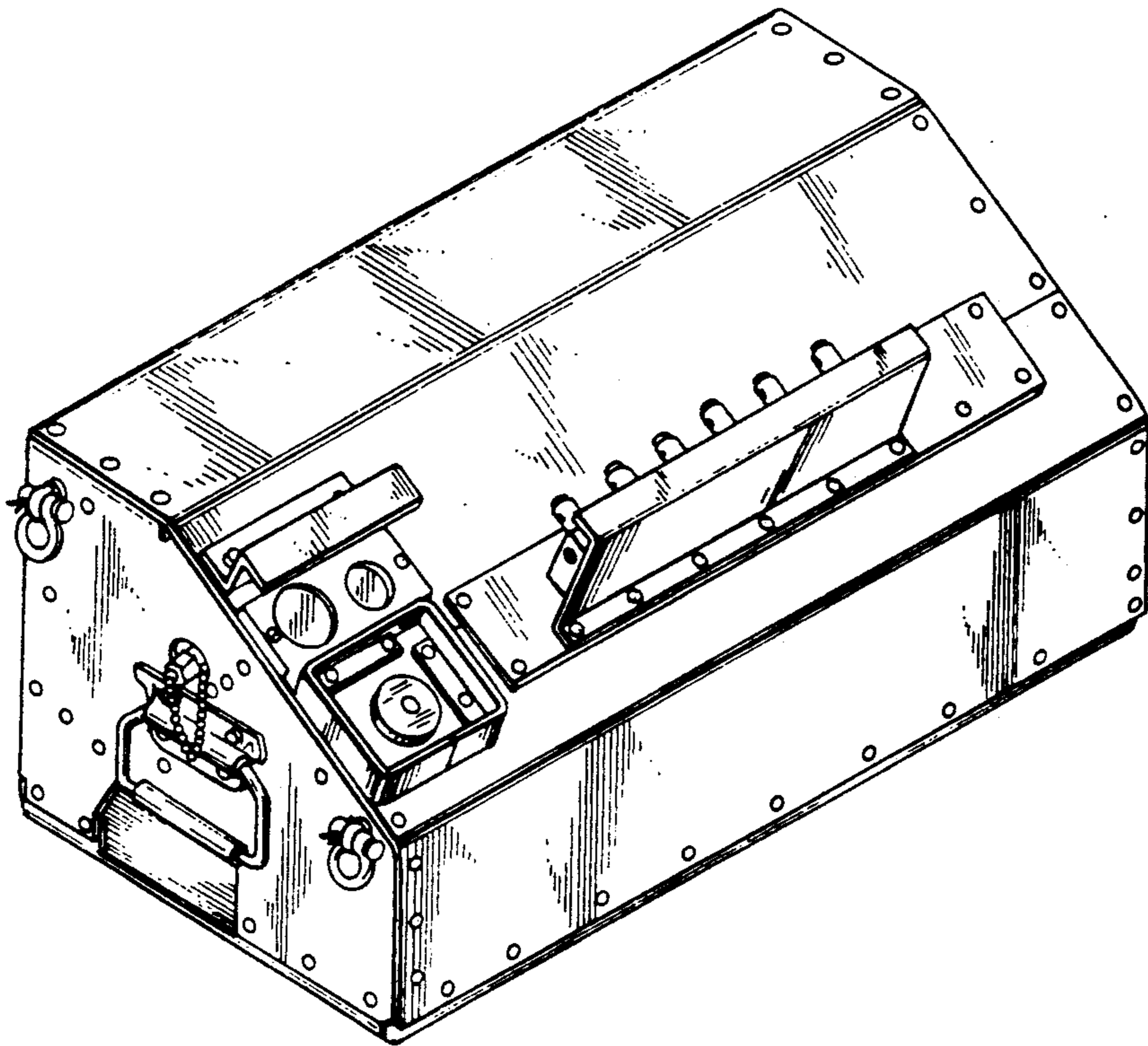


FIG. 1

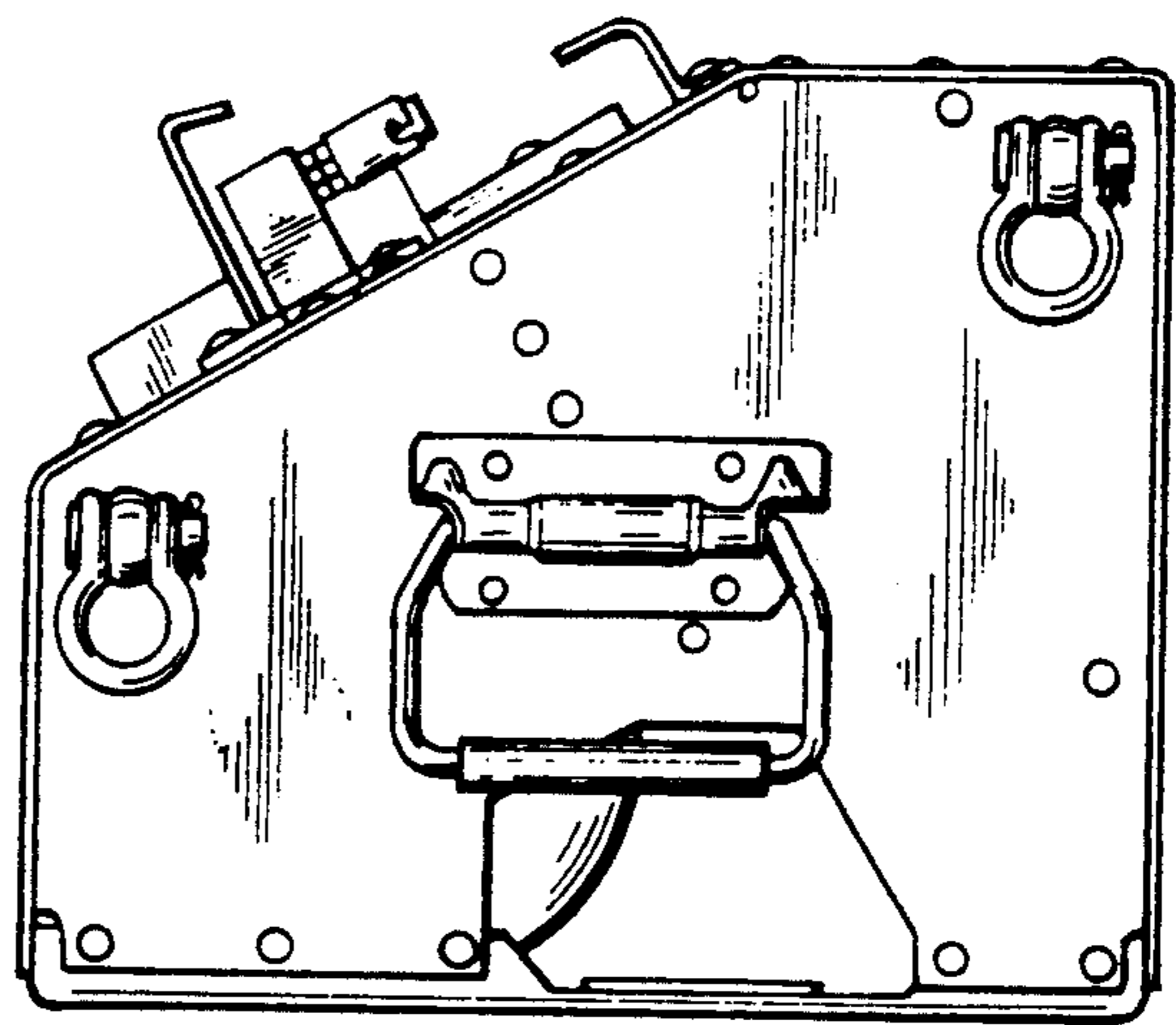


FIG. 2

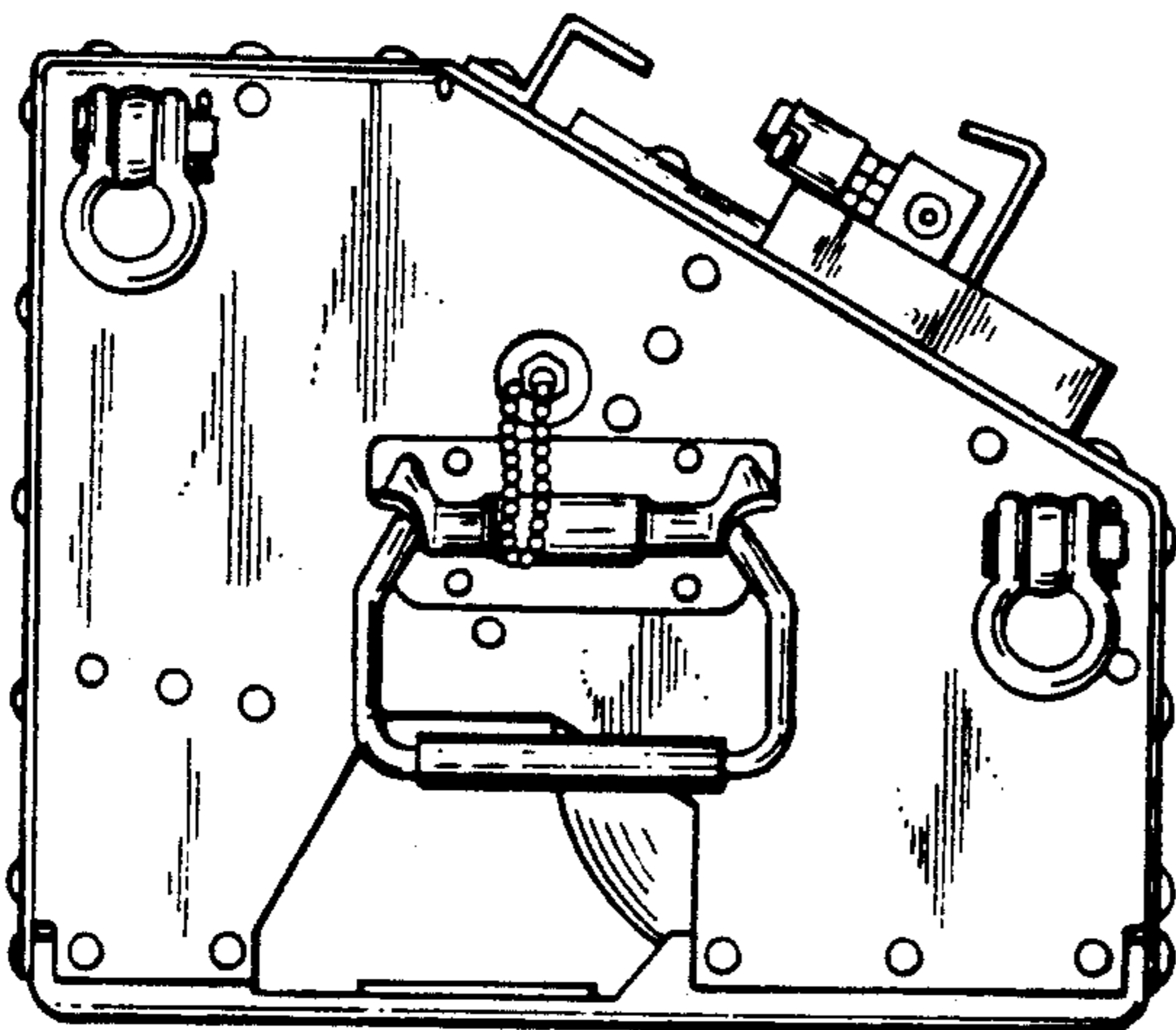


FIG. 3

FIG. 4

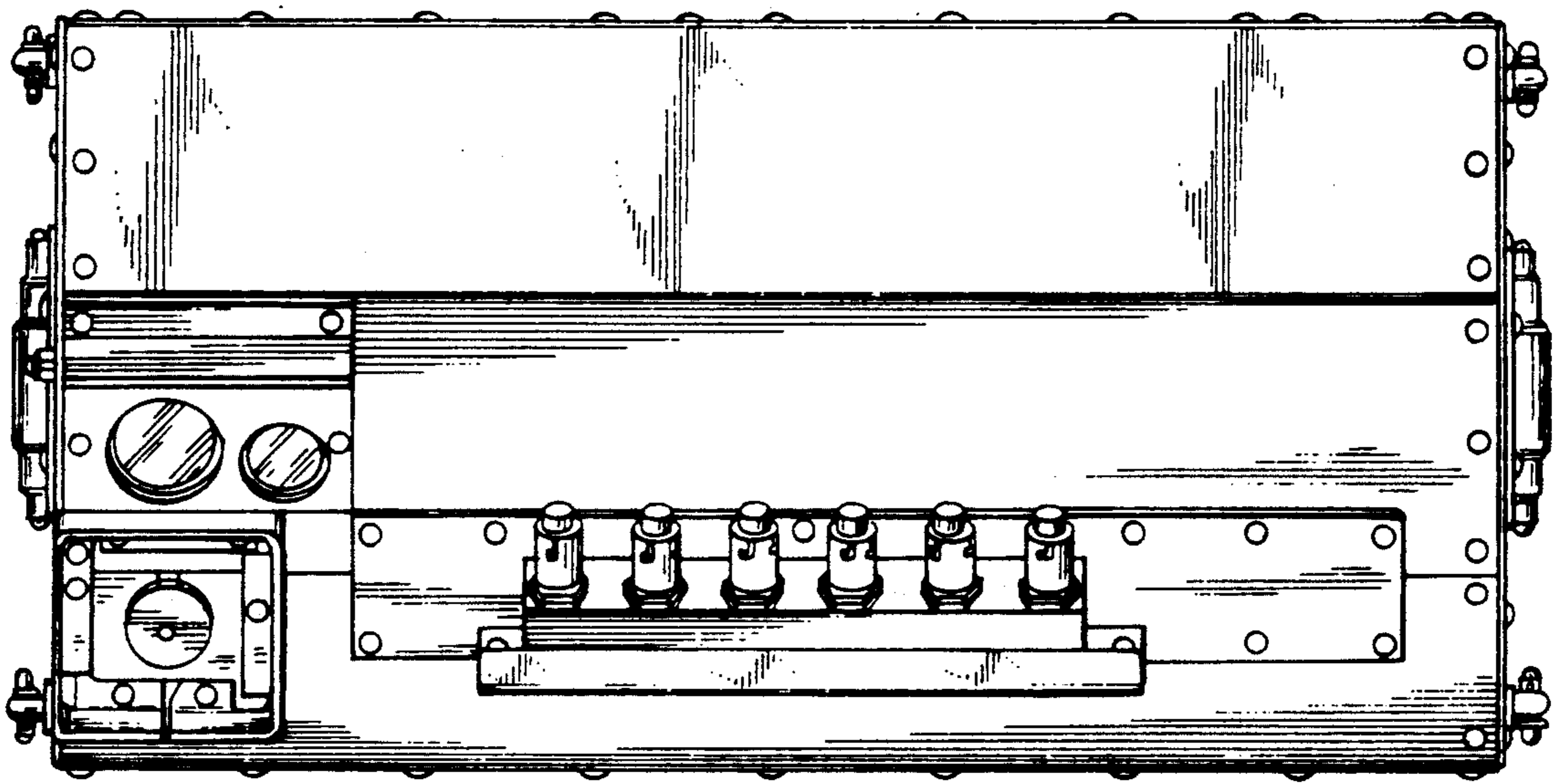


FIG. 5

