



US00D332661S

United States Patent [19]

[11] Patent Number: **Des. 332,661**

Sweeney, Jr.

[45] Date of Patent: **** Jan. 19, 1993**

- [54] **SPIROMETER BASE UNIT**
- [75] Inventor: **Paul B. Sweeney, Jr.,** Syracuse, N.Y.
- [73] Assignee: **Welch Allyn, Inc.,** Skaneateles Falls, N.Y.
- [**] Term: **14 Years**
- [21] Appl. No.: **501,502**
- [22] Filed: **Mar. 30, 1990**
- [52] U.S. Cl. **D24/169**
- [58] Field of Search **D24/186, 169, 164;**
128/719, 721, 725, 727

- 4,391,283 7/1983 Sharpless et al. 128/725
- 4,615,340 10/1986 Cronenberg et al. D24/169 X
- 4,635,647 1/1987 Choksi 128/725 X

Primary Examiner—Stella Reid
Attorney, Agent, or Firm—Wall and Roehrig

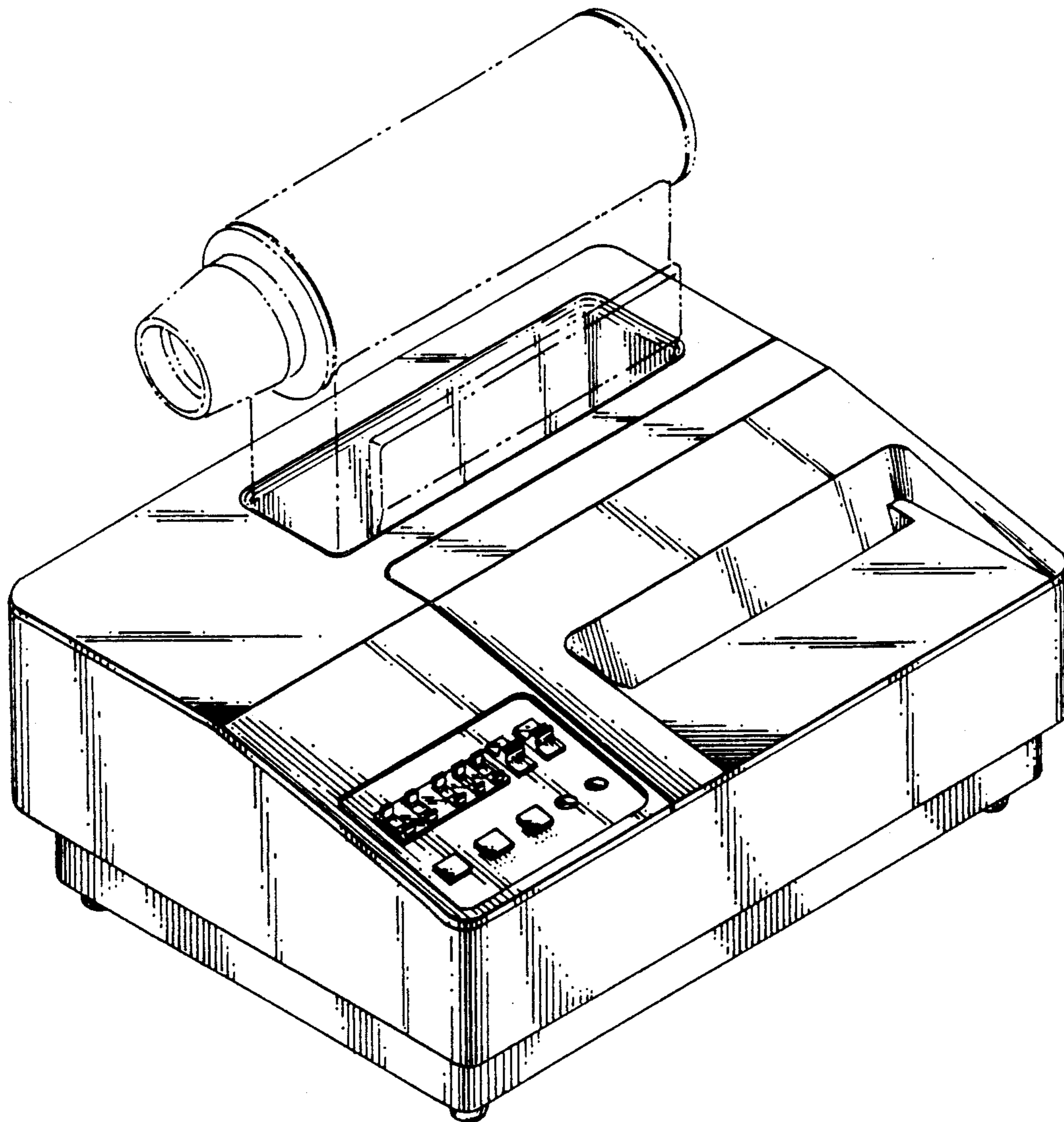
[57] CLAIM

The ornamental design for a spirometer base unit, as shown and described.

DESCRIPTION

FIG. 1 is a perspective view of a spirometer base unit showing my new design;
 FIG. 2 is a top plan view thereof;
 FIG. 3 is a bottom plan view thereof;
 FIG. 4 is a front elevational view thereof;
 FIG. 5 is a back elevational view thereof;
 FIG. 6 is a right side elevational view thereof; and,
 FIG. 7 is a left side elevational view thereof.

- [56] **References Cited**
- U.S. PATENT DOCUMENTS**
- 3,922,525 11/1975 Kozak et al. 128/725 X
- 4,138,105 2/1979 Hunger et al. 128/725 X



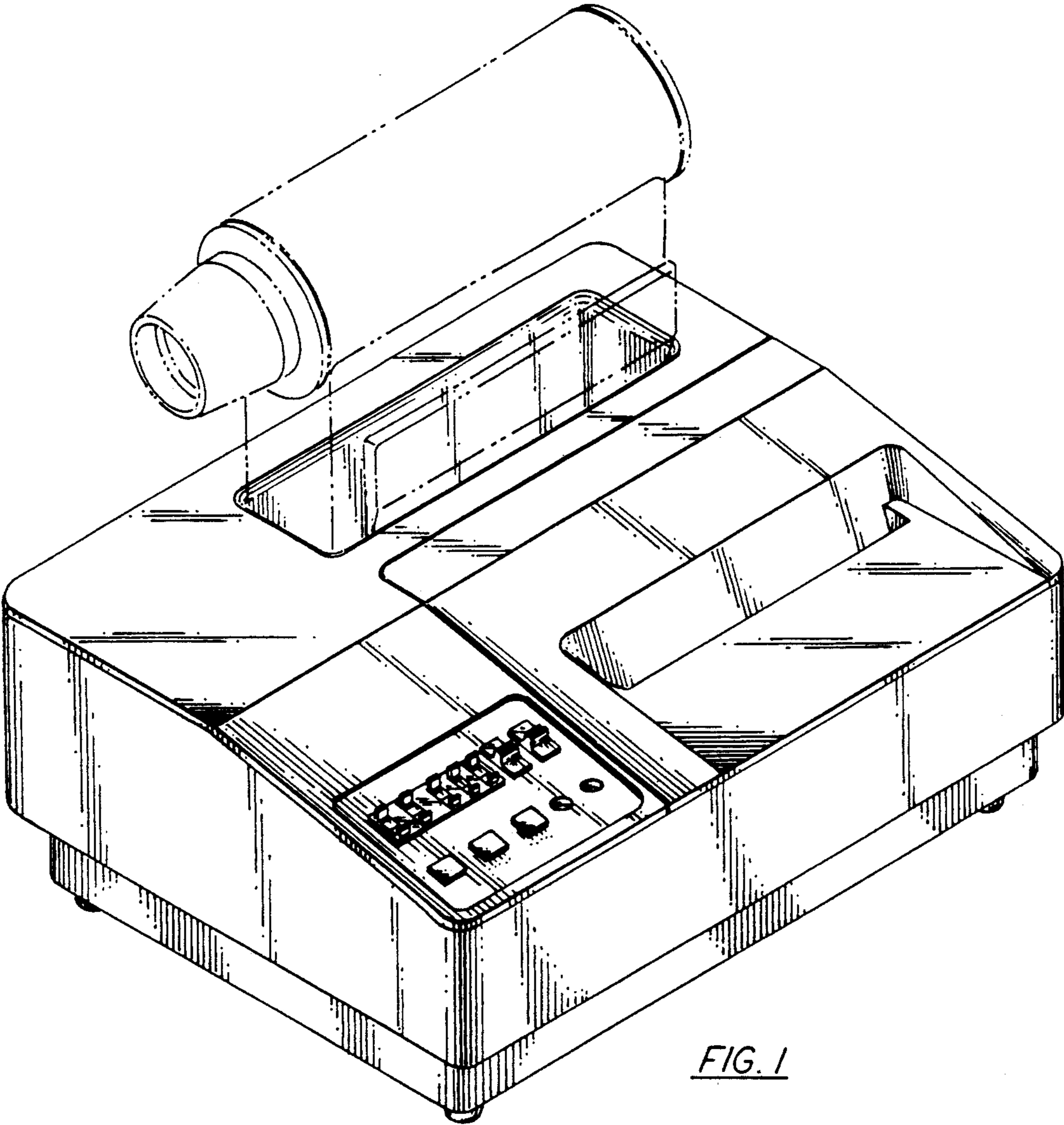


FIG. 1

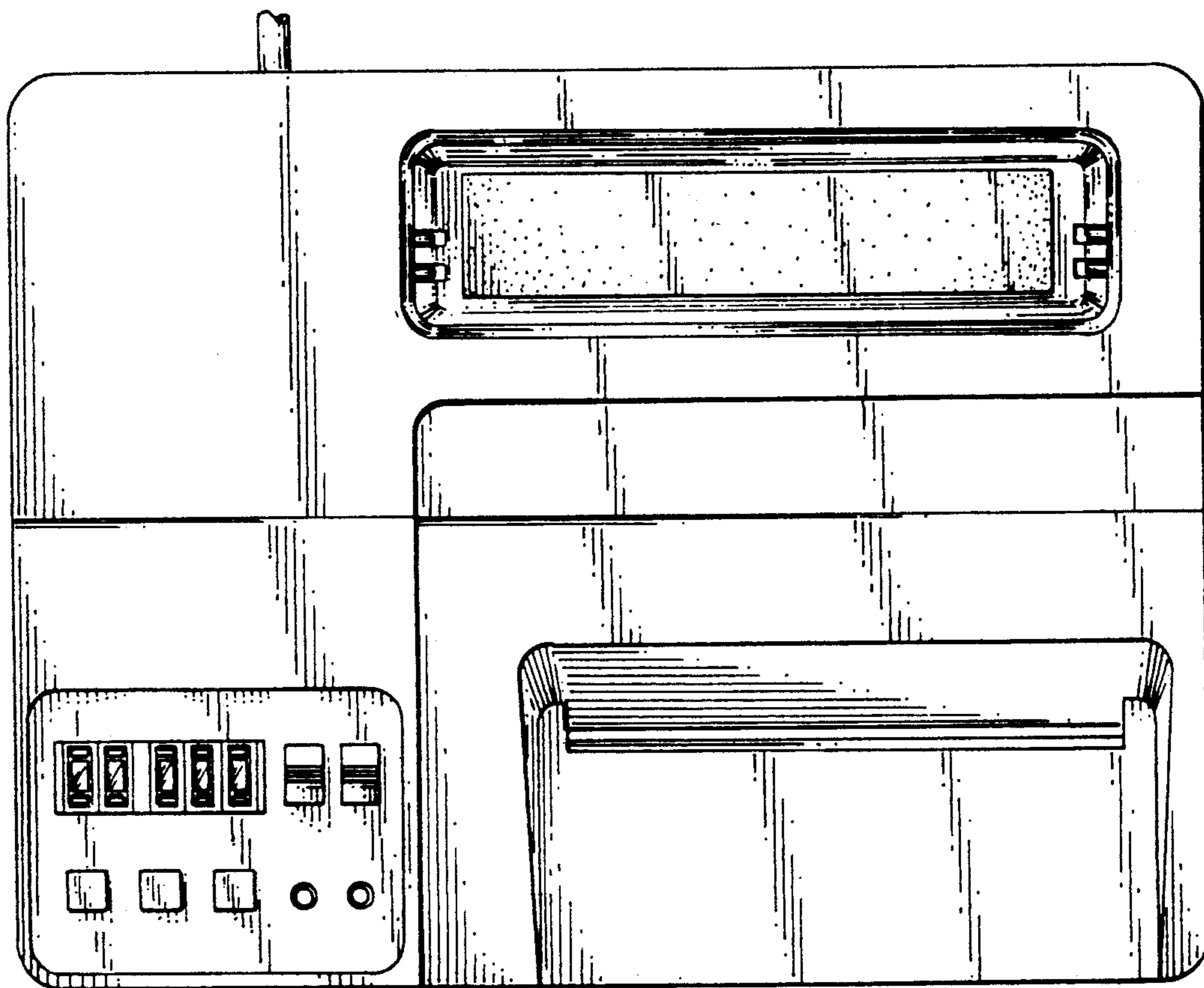


FIG. 2

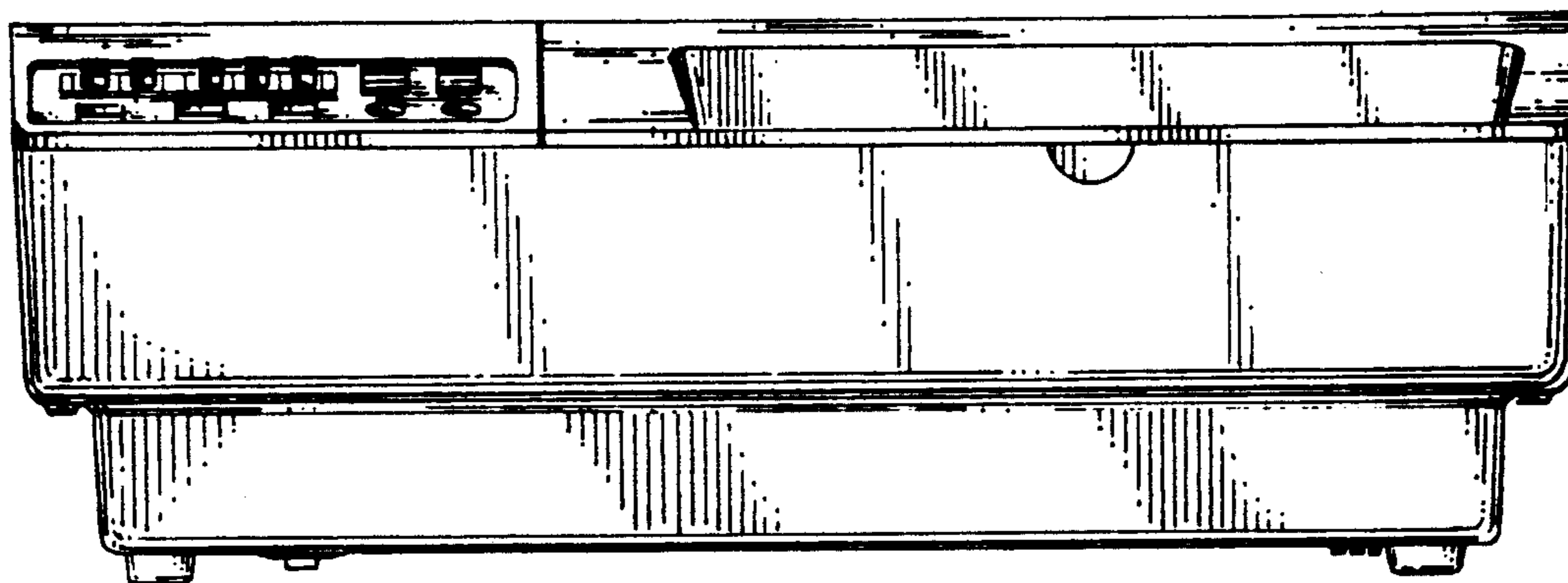


FIG. 4

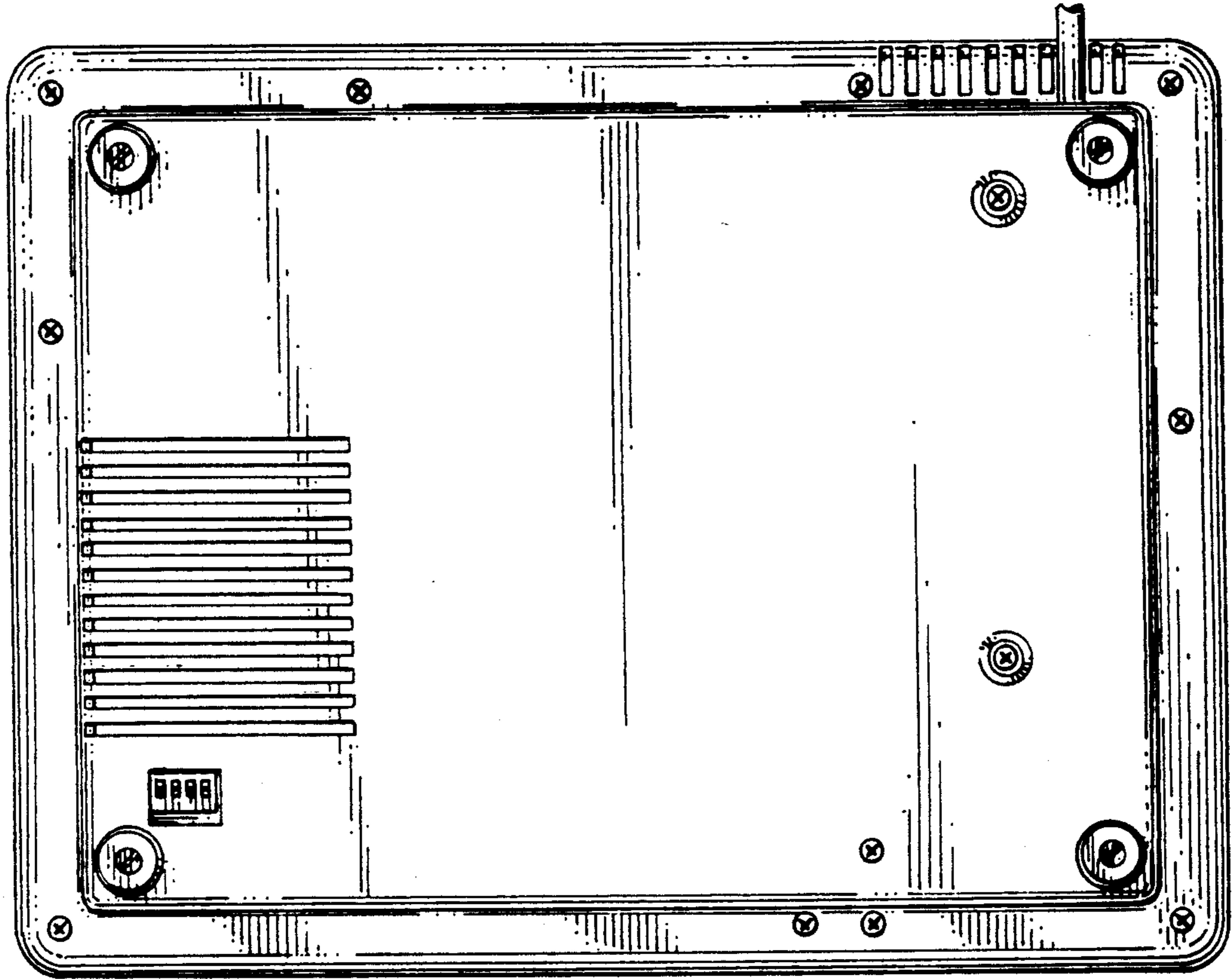


FIG. 3

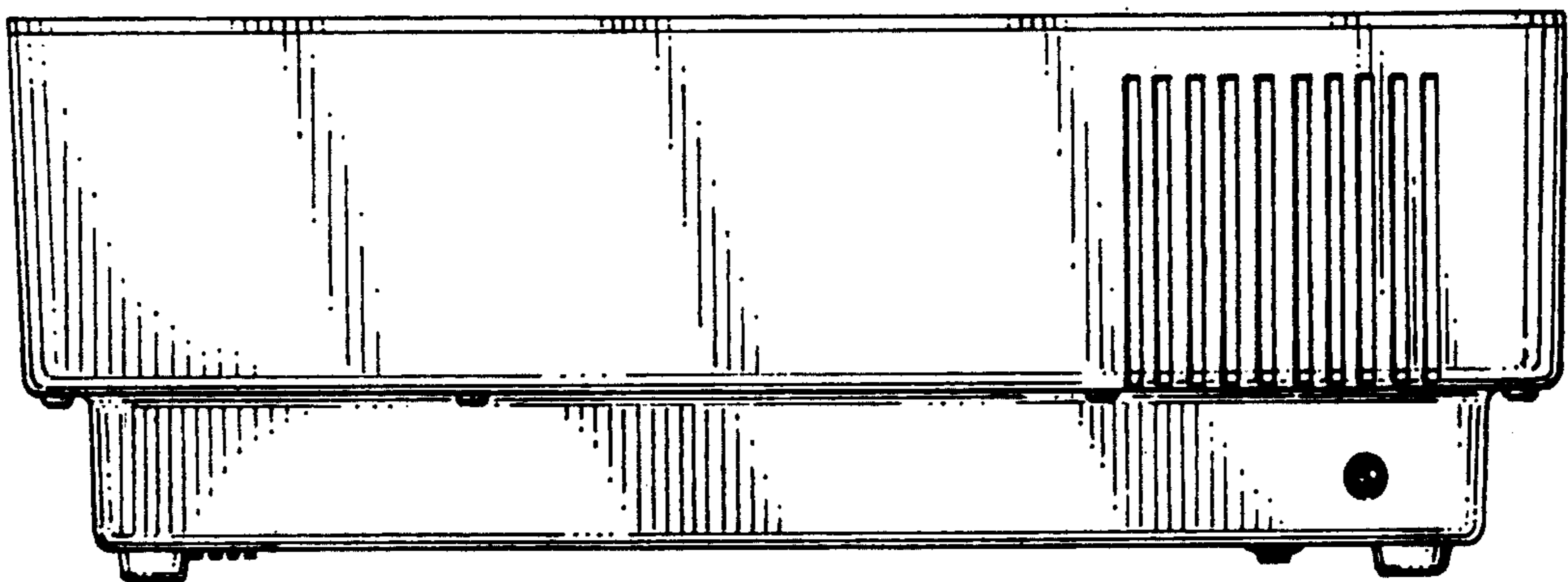


FIG. 5

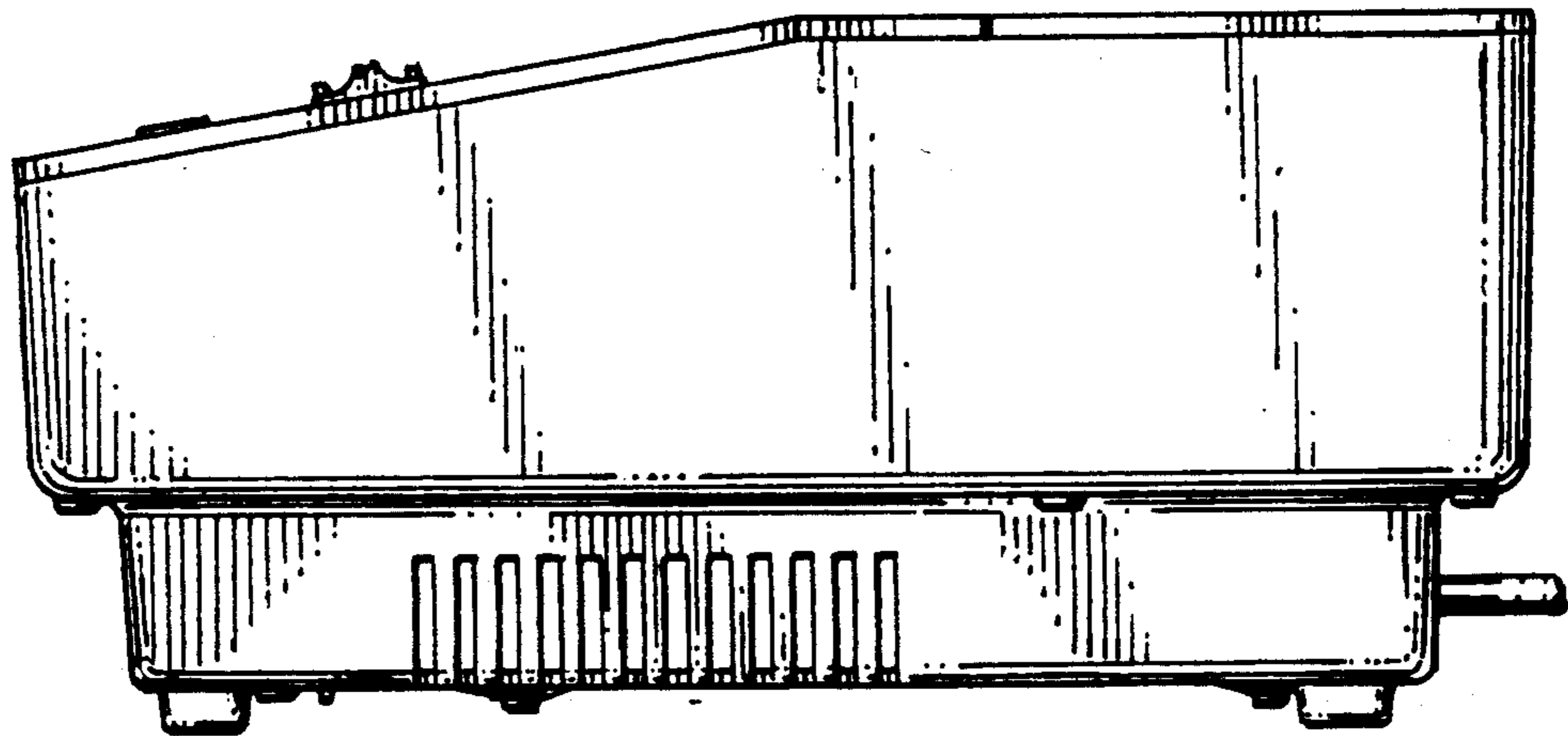


FIG. 6

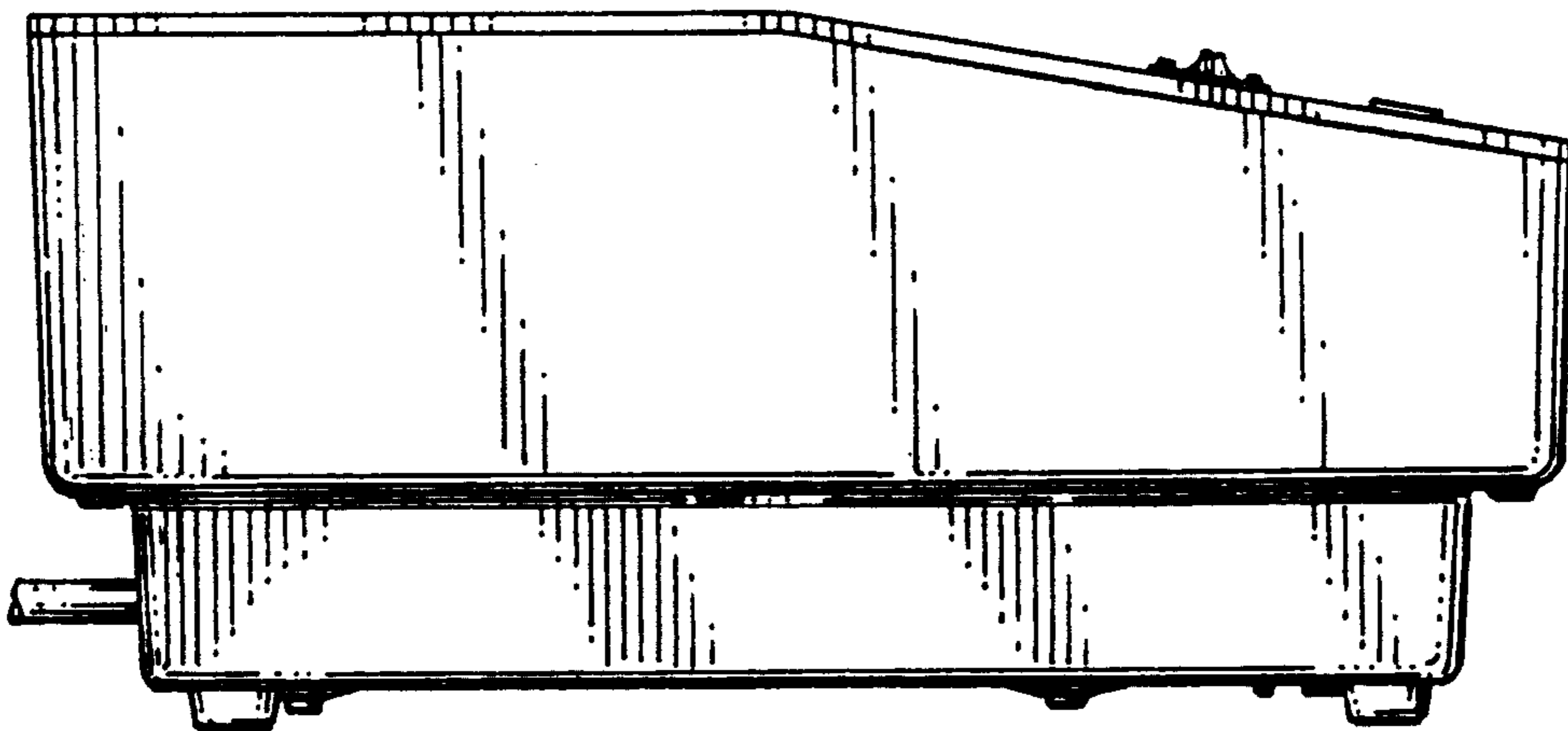


FIG. 7