



US00D332656S

United States Patent [19]

[11] Patent Number: Des. 332,656

Atkinson et al.

[45] Date of Patent: ** Jan. 19, 1993

[54] CONTROL UNIT FOR MEDICAL AND SURGICAL FLUID DELIVERY DEVICE OR THE LIKE

[75] Inventors: Robert W. Atkinson, Dover; Michael J. Laco, Sherrodsville; William J. Donizetti, Dover, all of Ohio

[73] Assignee: Zimmer, Inc., Warsaw, Ind.

[**] Term: 14 Years

[21] Appl. No.: 514,073

[22] Filed: Apr. 25, 1990

[52] U.S. Cl. D24/111

[58] Field of Search D24/111, 231, 232; 604/152, 143, 67, 26, 245

[56] **References Cited**

U.S. PATENT DOCUMENTS

D. 214,606	7/1969	Best, Jr.	D83/1
D. 218,211	7/1970	Sato	D24/111
D. 263,997	4/1982	Preussner	D24/111
D. 276,934	12/1984	Smallhorn	D24/8
D. 286,435	10/1986	Atkinson	D24/8
D. 292,527	10/1987	Bullock et al.	D24/17
D. 293,468	12/1987	Hill et al.	D24/111
D. 298,460	11/1988	Pryor	D24/51
D. 314,433	2/1991	Frantz	D24/111
3,194,164	7/1965	Fink et al.	103/44
3,910,266	10/1975	Kawase	128/66
3,912,168	10/1975	Mullins et al.	239/102
3,993,054	11/1976	Newman	128/66
4,557,725	12/1985	Heyne et al.	604/67
4,561,431	12/1985	Atkinson	128/66
4,635,621	1/1987	Atkinson	128/66
4,655,197	4/1987	Atkinson	128/66
4,879,798	11/1989	Petre	29/434

FOREIGN PATENT DOCUMENTS

2189998B 11/1987 United Kingdom .

OTHER PUBLICATIONS

Stryker Surgical brochure-Orthotec Pulsatile Lavage System-The Clear Choice-1986.

Zimmer, Inc. brochure-Zimmer Low Pressure Irrigation System-Lit. No. 97-5175-08 Rev 1-1985.

Zimmer, Inc. brochure-Pulsavac Wound Debridement System-Lit. No. 97-5150-08 Rev 1-1987.

Zimmer, Inc.-1987 Catalog section J for Wound Care Products-pp. ii,J1,J3-Lit. No. 97-5000-115.

Zimmer, Inc.-1987 Catalog section G for Arthroscopy-pp. ii,G21,G32-Lit. No. 97-5000-112.

Primary Examiner-Stella Reid

Assistant Examiner-I. Simmons

Attorney, Agent, or Firm-Margaret L. Geringer

[57] **CLAIM**

The ornamental design for a control unit for medical and surgical fluid delivery device, as shown and described.

DESCRIPTION

FIG. 1 is a perspective view of a control unit for medical and surgical fluid delivery device showing our new design;

FIG. 2 is a plan view of the angled front control panel thereof;

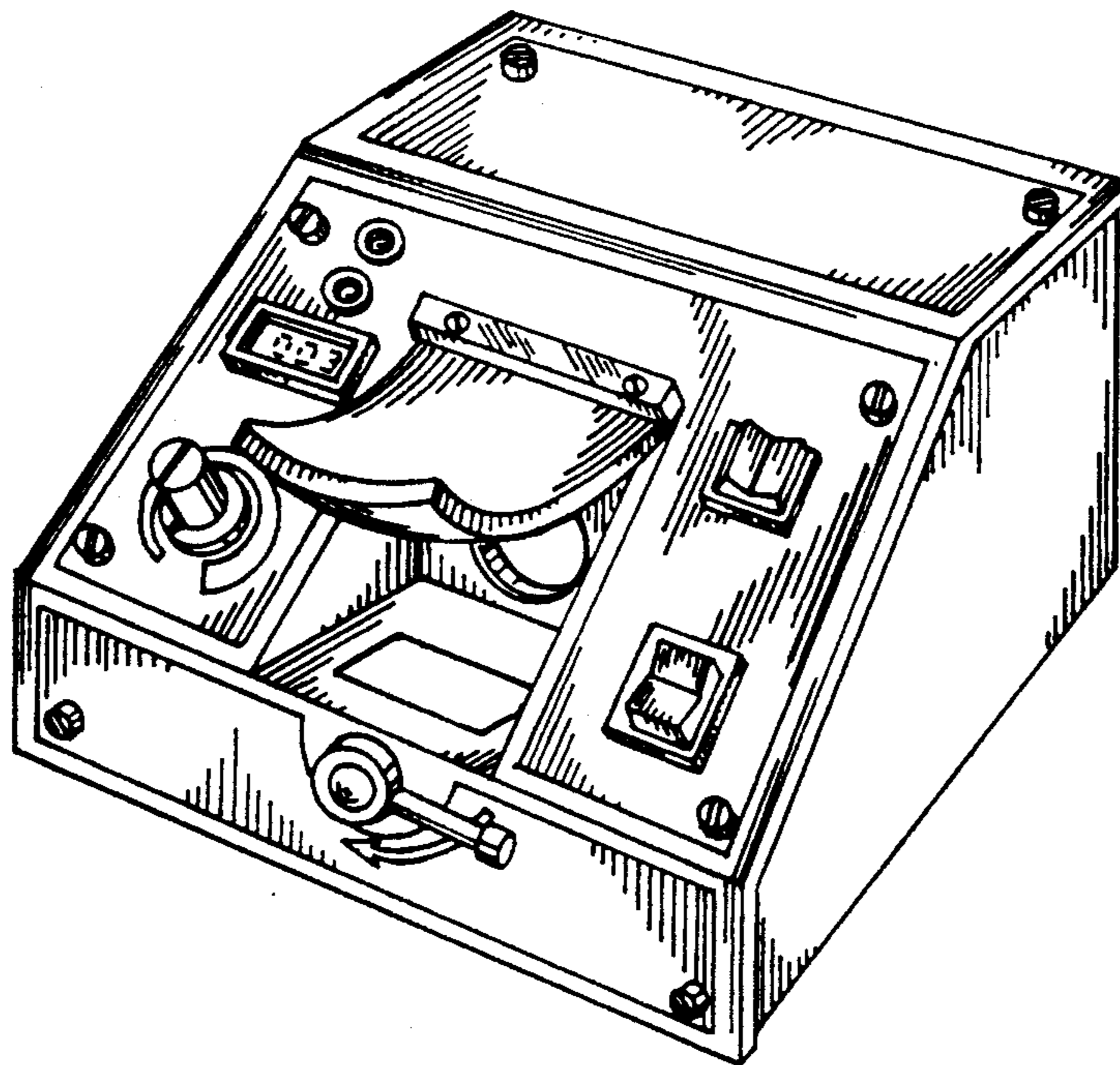
FIG. 3 is a front elevational view thereof;

FIG. 4 is a left side elevational view thereof;

FIG. 5 is a right side elevational view thereof;

FIG. 6 is a rear elevational view thereof; and,

FIG. 7 is a bottom plan view thereof.



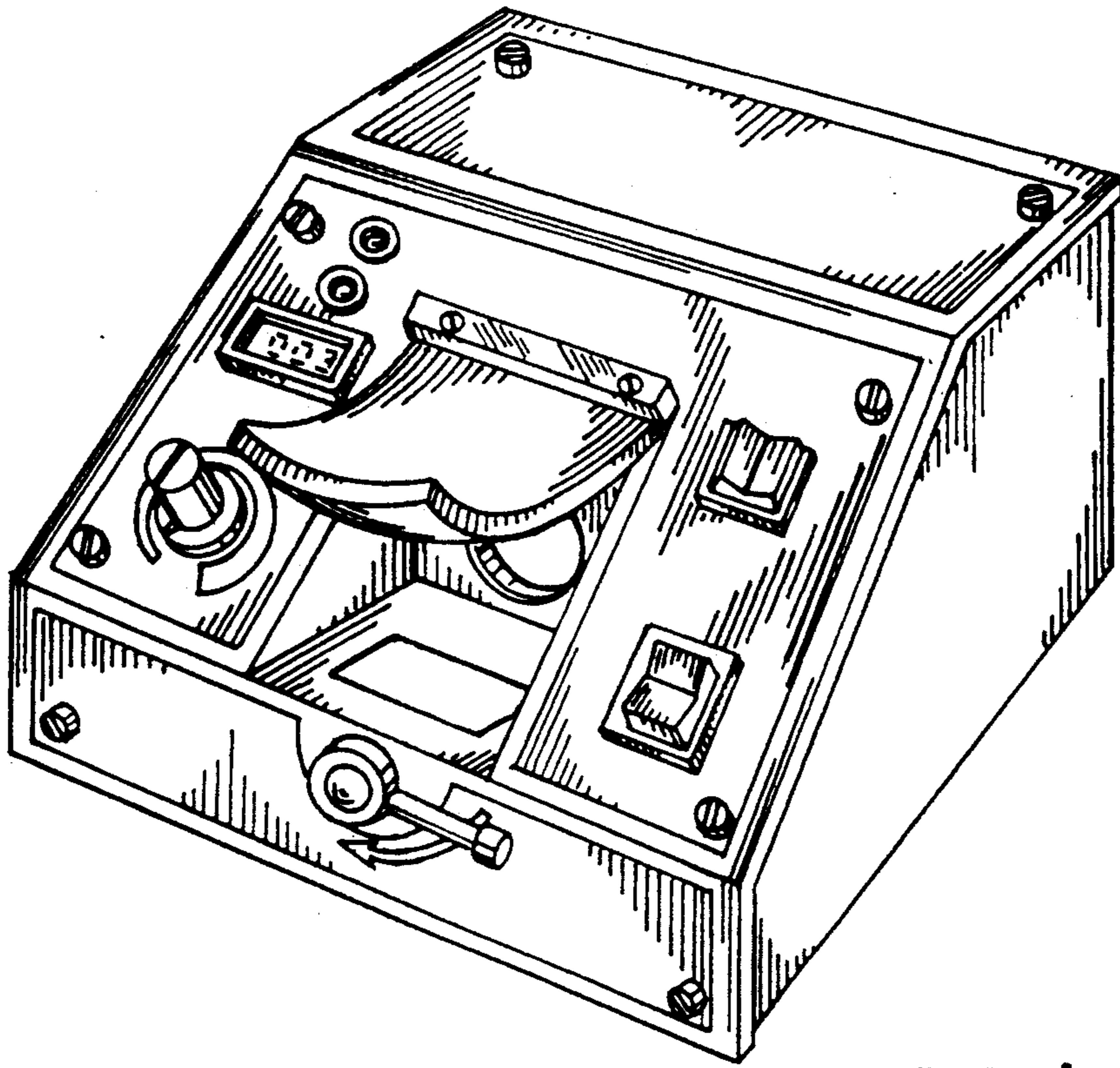


FIG. 1

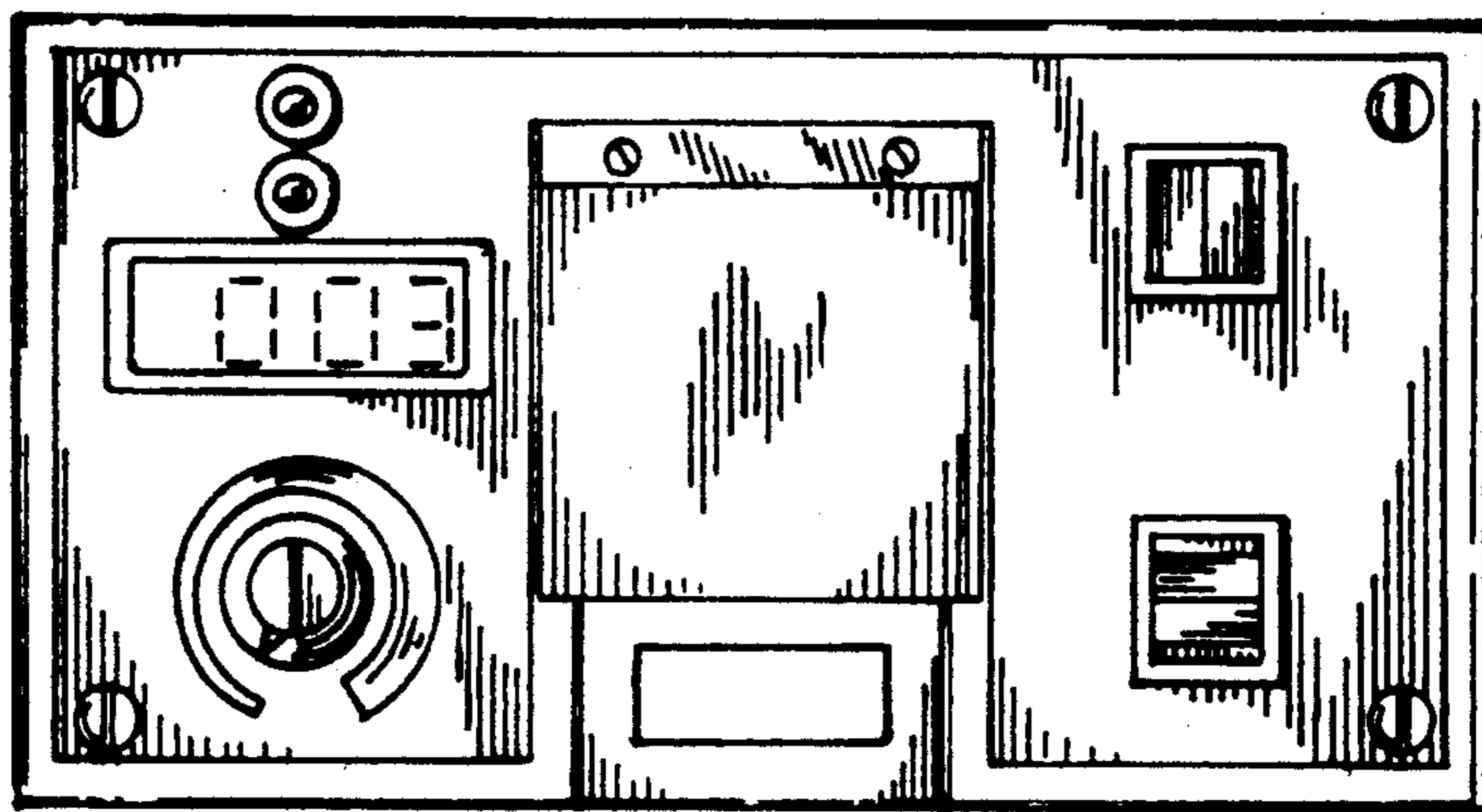


FIG. 2

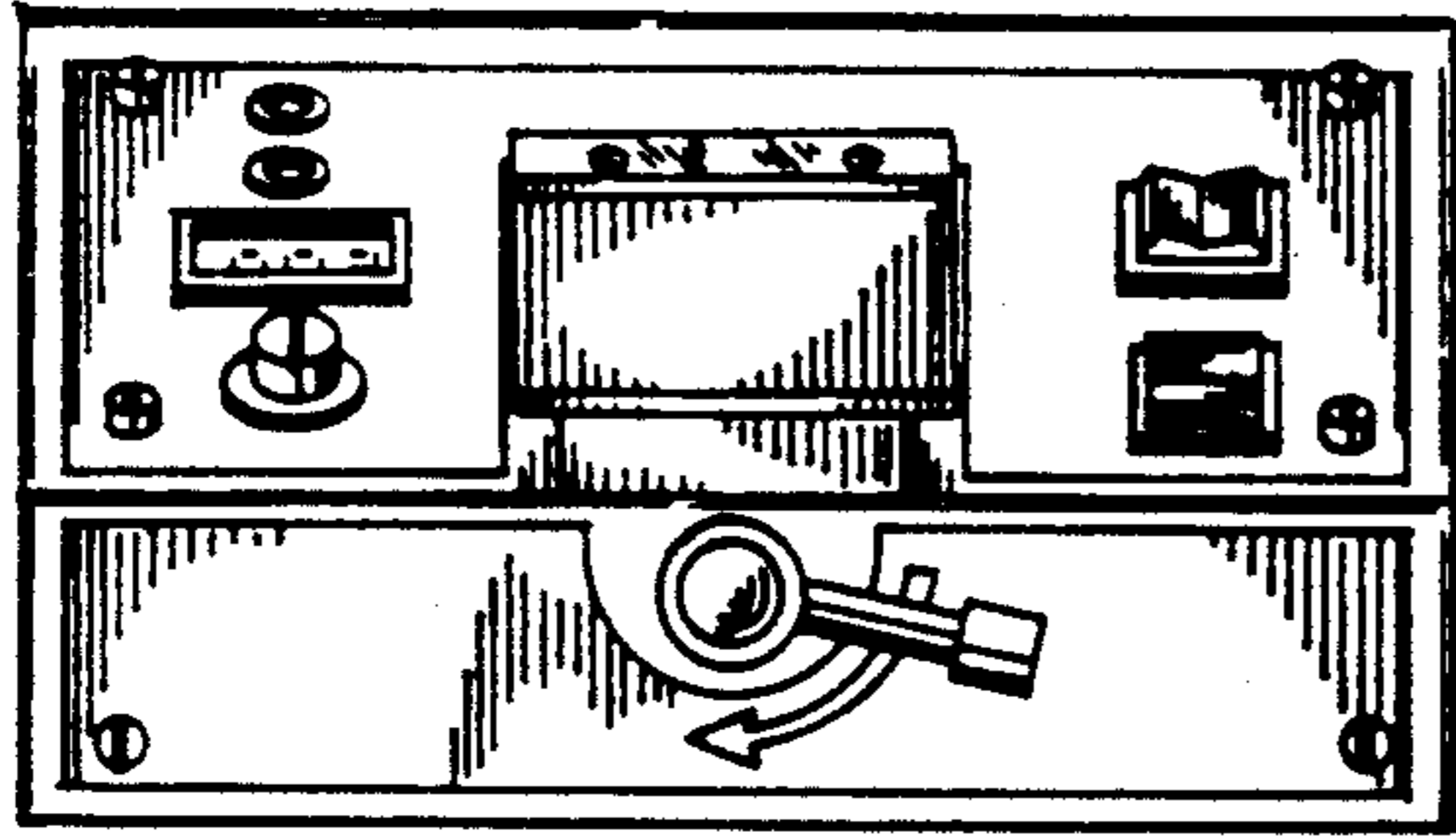


FIG. 3

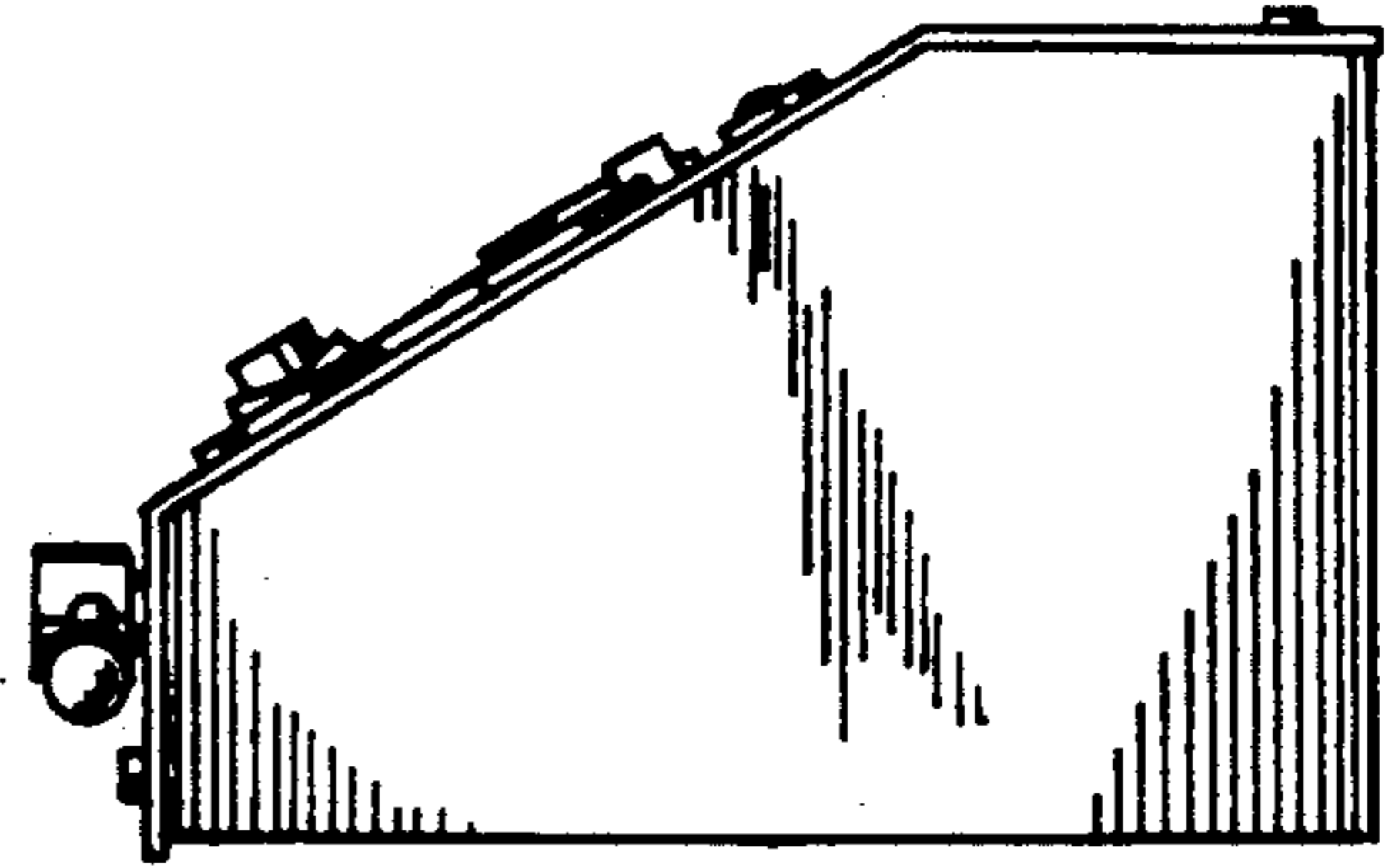


FIG. 4

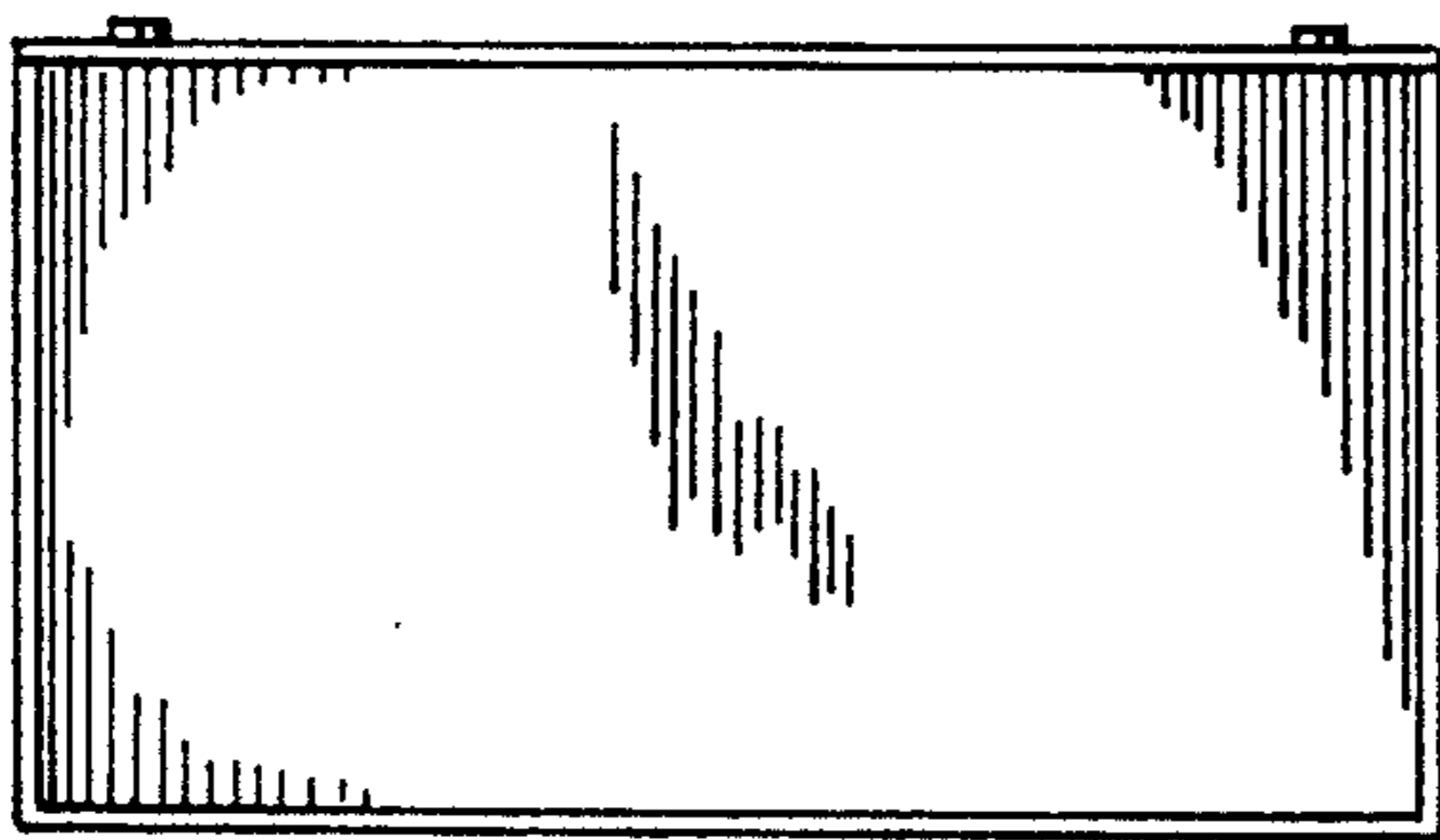


FIG. 6

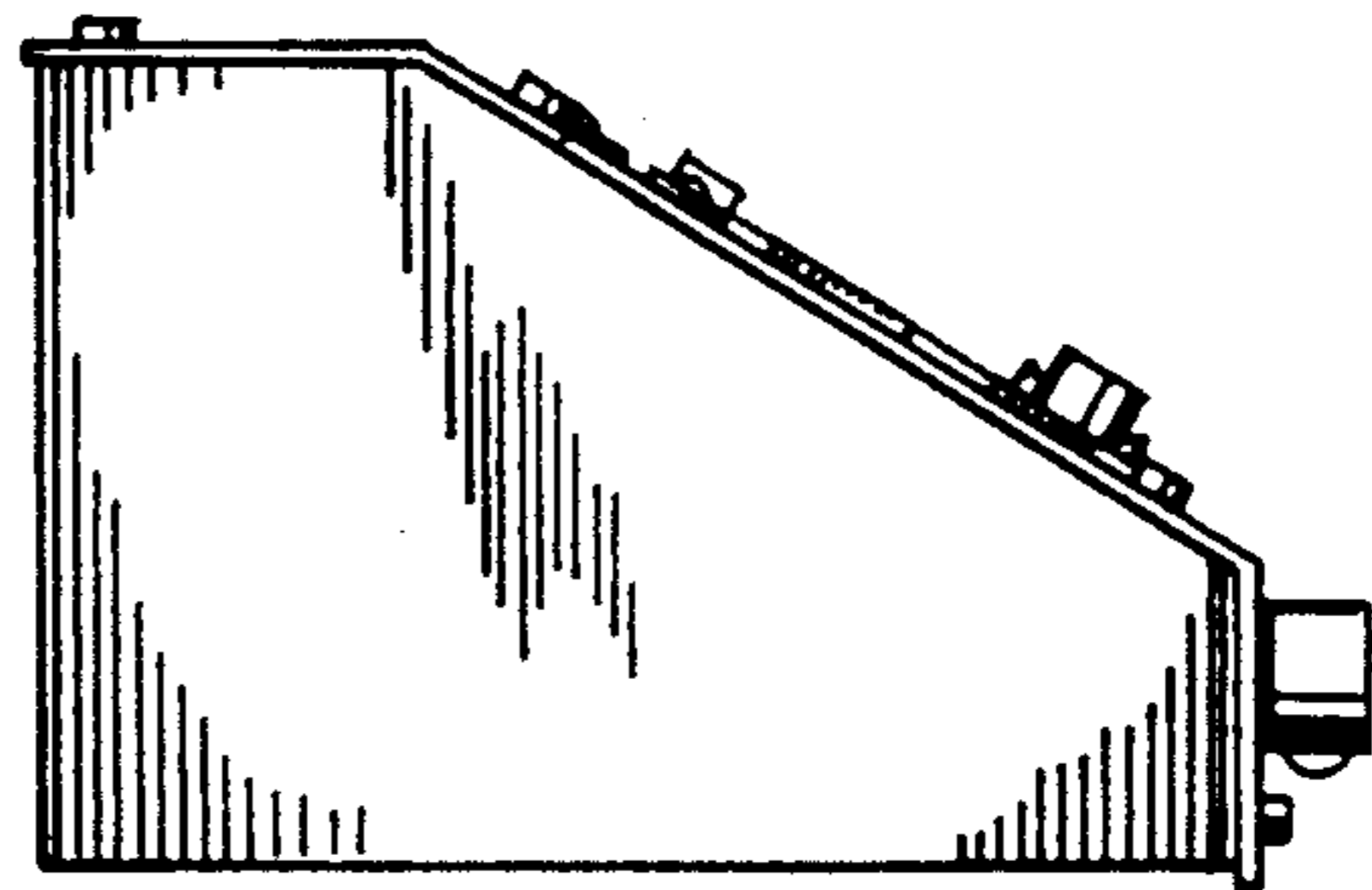


FIG. 5

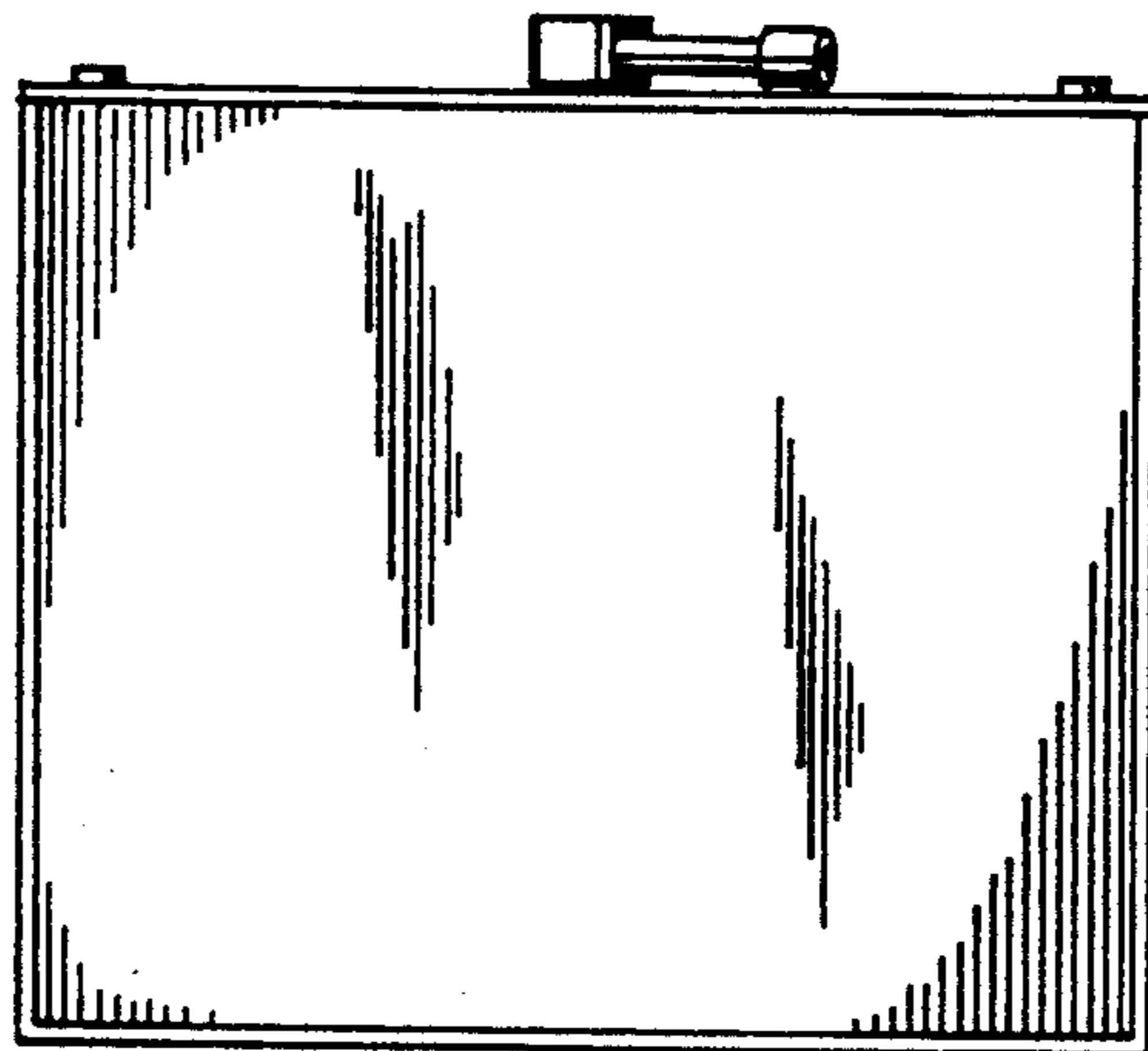


FIG. 7