



US00D332654S

United States Patent [19]

[11] Patent Number: Des. 332,654

Reid et al.

[45] Date of Patent: ** Jan. 19, 1993

- [54] SHROUD FOR A LAVATORY
- [75] Inventors: Mary J. Reid, Sheboygan, Wis.;
Lorin R. Wigman, Long Beach, Calif.
- [73] Assignee: Kohler Co., Kohler, Wis.
- [**] Term: 14 Years
- [21] Appl. No.: 537,535
- [22] Filed: Jun. 12, 1990
- [52] U.S. Cl. D23/308
- [58] Field of Search D23/271-274;
4/619, 625-642, 652 A, 654

[56] **References Cited**

U.S. PATENT DOCUMENTS

D. 46,438	9/1914	Mann	D23/308
D. 238,075	12/1975	Harris	D23/308
D. 258,683	3/1981	Wilson	D23/303
D. 273,978	5/1984	Enthoven	D23/292
D. 293,930	1/1988	Reid	
D. 295,071	4/1988	Kohler, Jr. et al.	
D. 296,923	7/1988	Brossardt et al.	D23/294
D. 312,123	11/1990	Enthoven	D23/294
3,487,478	1/1970	Harris	4/619
3,915,524	10/1975	Langston	4/650 X
4,145,769	3/1979	MacFarlane et al.	4/628 X
4,646,370	3/1987	Risberg et al.	4/661

OTHER PUBLICATIONS

Undated Duravit ad. (admitted prior art).
Page 8-2d dated Apr. 1989 from a Kohler catalog showing the Model K-2167 combination sink and shroud.

An undated ad from Fach-Ausstellung showing combined lavatory and pipe shroud designs (admitted prior art).

An undated ad from Fach-Ausstellung showing combined lavatory and pipe shroud designs (admitted prior art).

An undated Ideal-Standard ad showing the "Ronlav"

combined lavatory and pipe shroud design (admitted prior art).

An undated Ideal-Standard ad showing the "Ronsal" combined lavatory and pipe shroud design (admitted prior art).

An undated Ideal-Standard ad showing the "Emirama" combined lavatory and pipe shroud design (admitted prior art).

Page 17 of a 1984 Villeroy & Boch catalog showing the "Planos" combined lavatory and pipe shroud.

Page 19 of a 1984 Villeroy & Boch catalog showing the "Grangracia" and Belinda combined lavatory and pipe shroud.

A page from an undated Kerameg catalog showing the "Mango" combined lavatory and pipe shroud design (admitted prior art).

A page from an undated Kerameg catalog showing the "Koala" combined lavatory and pipe shroud design (admitted prior art).

Primary Examiner—James R. Largen
Attorney, Agent, or Firm—Quarles & Brady

[57] **CLAIM**

The ornamental design for a shroud for a lavatory, as shown and described.

DESCRIPTION

FIG. 1 is a perspective view taken from the top, front and right side of a shroud for a lavatory showing our new design;

FIG. 2 is a front elevational view thereof;

FIG. 3 is a right side elevational view thereof, the left side being the mirror image of the right side shown;

FIG. 4 is a bottom plan view thereof; and,

FIG. 5 is a rear elevational view thereof.

The broken line representations of a lavatory in FIGS. 1, 2, 3, and 5 are for the purpose of illustration only and form no part of the claimed design.

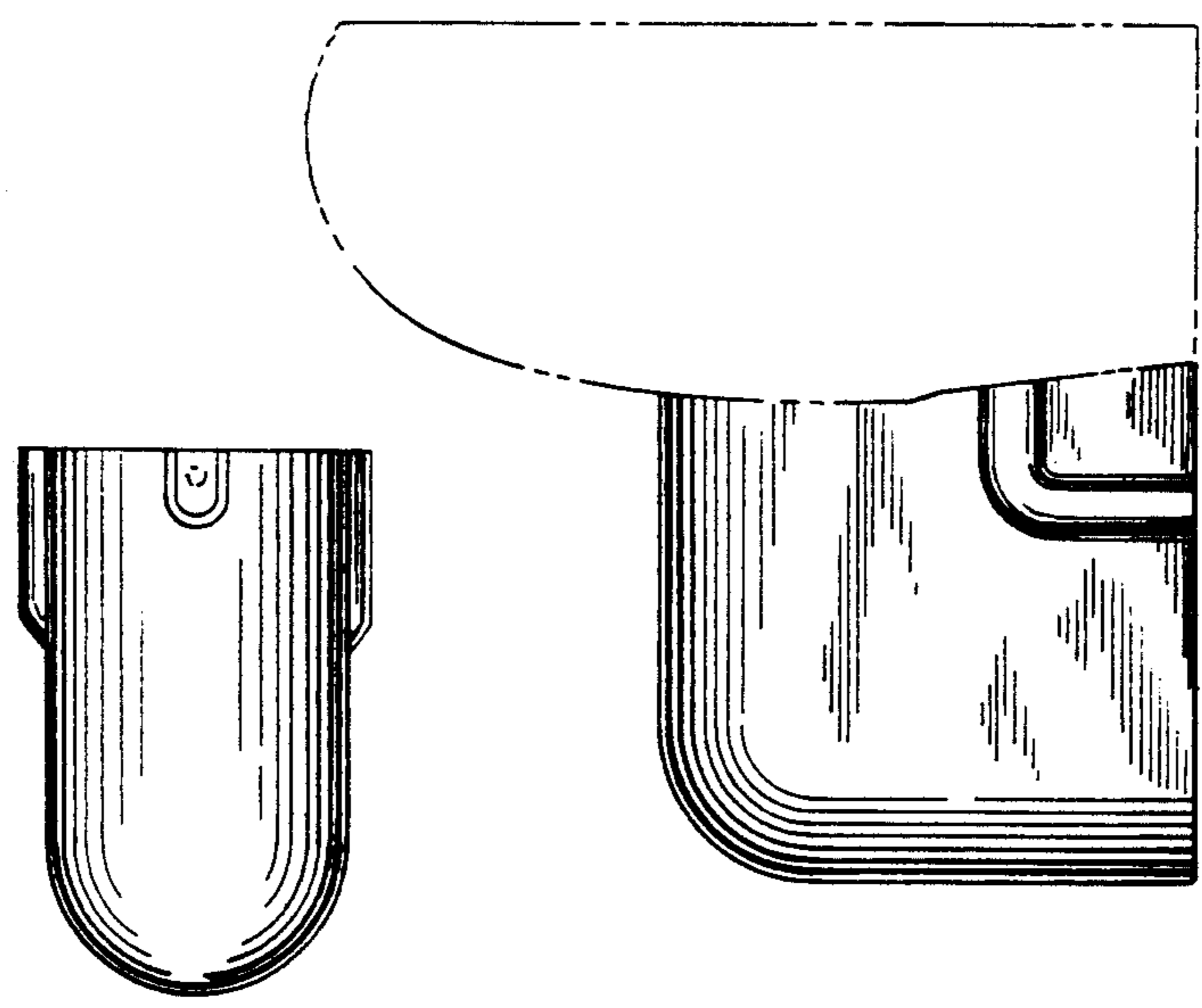


FIG. 1

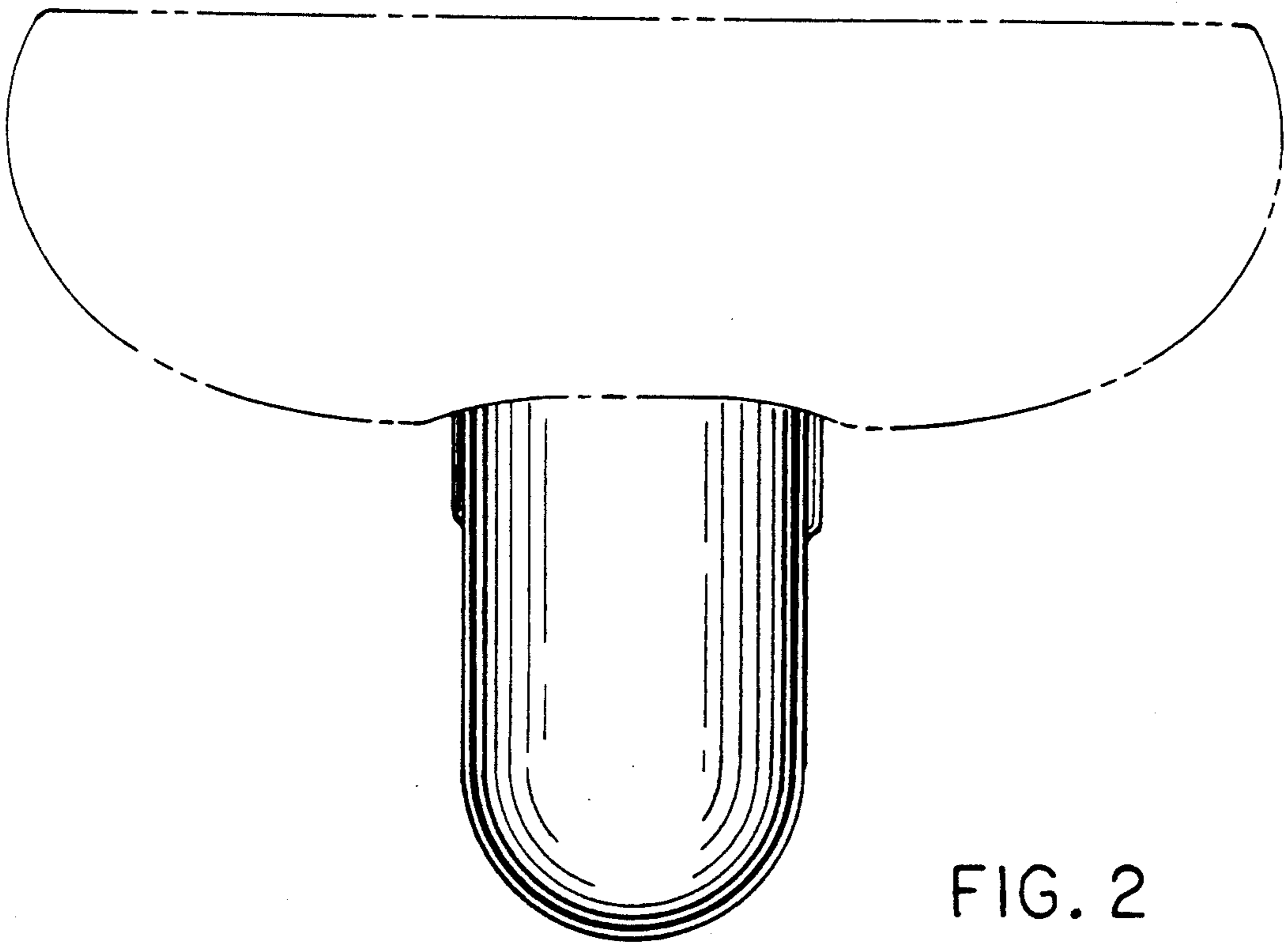
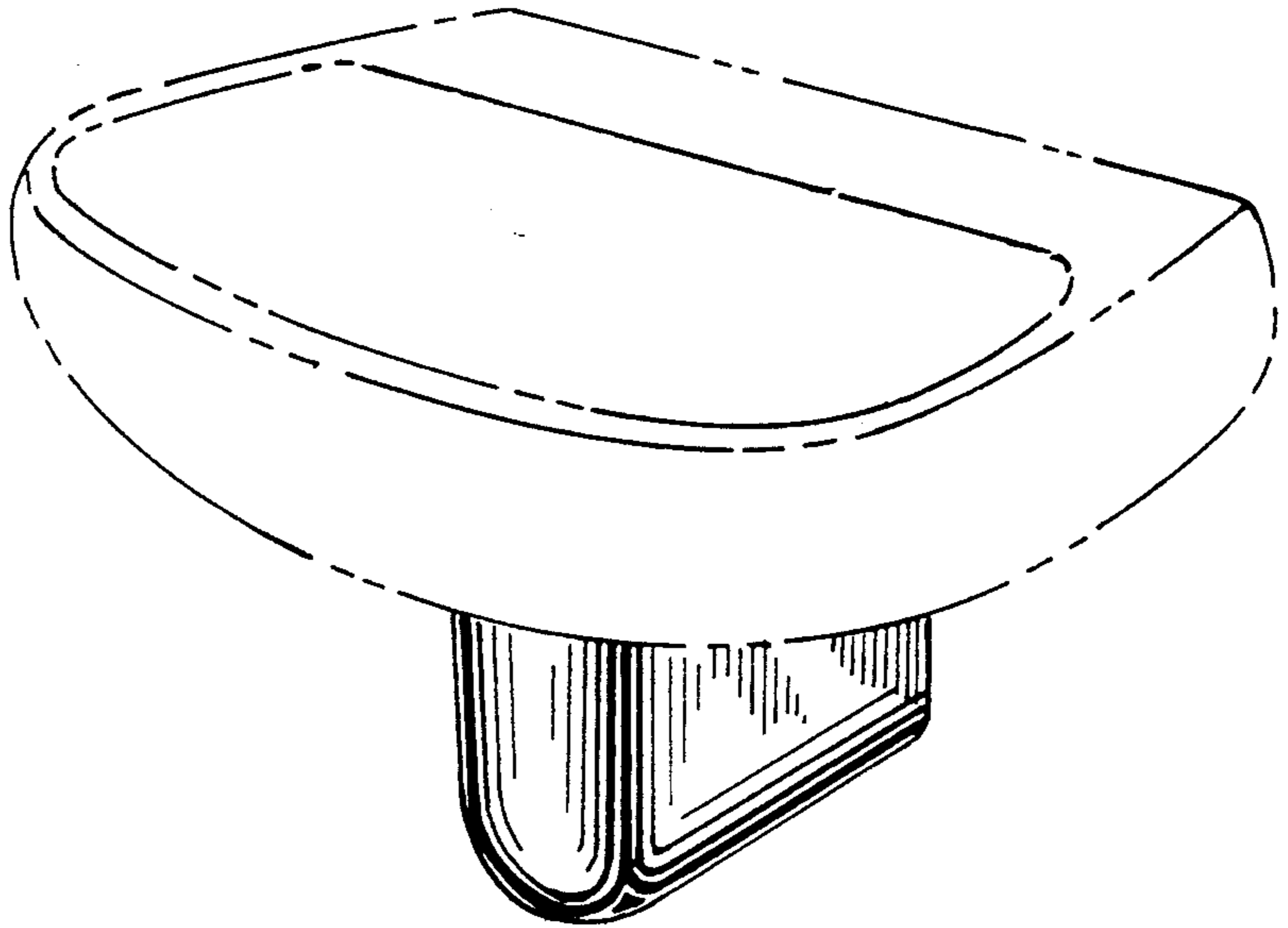


FIG. 2

FIG. 3

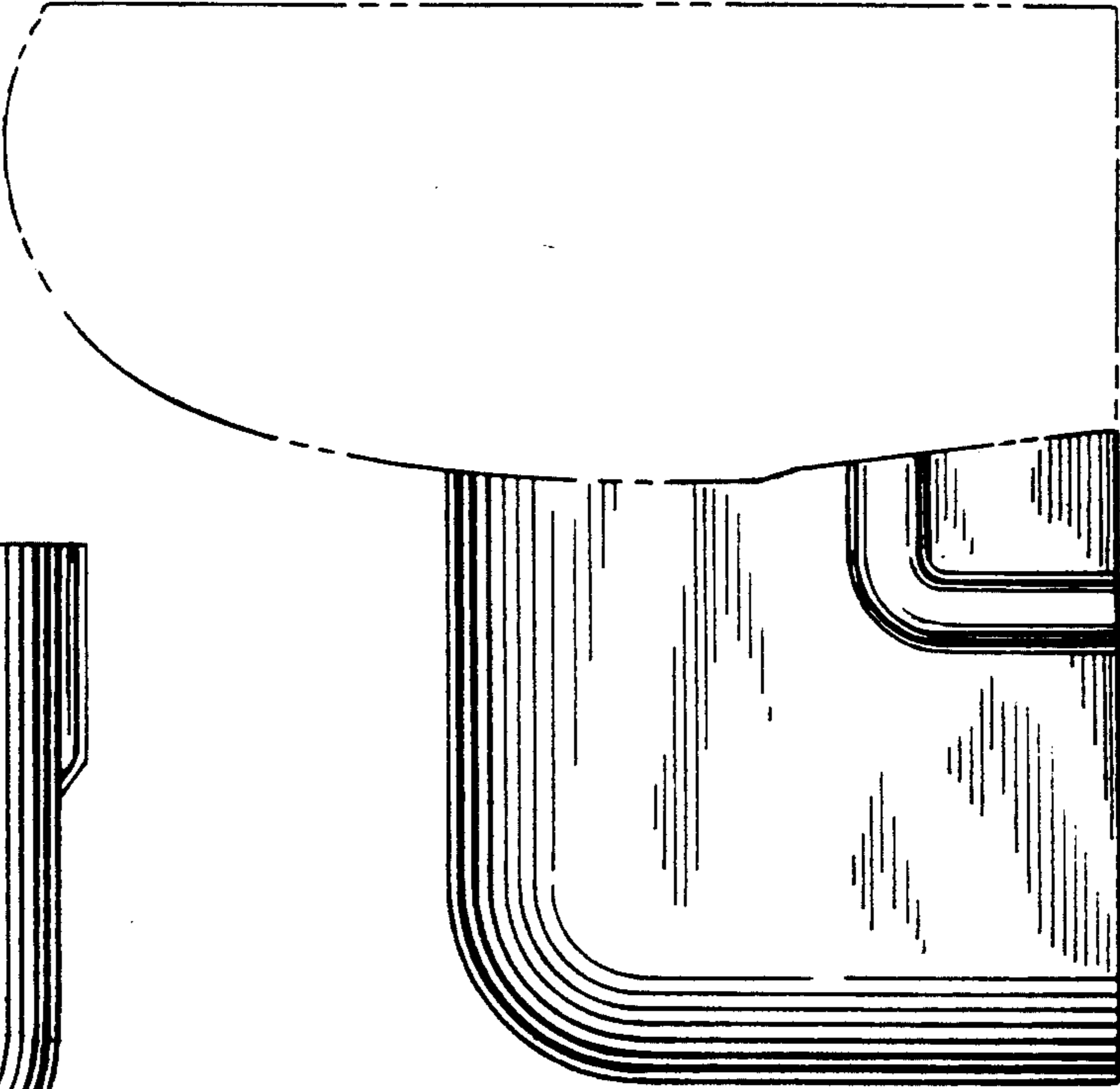


FIG. 4

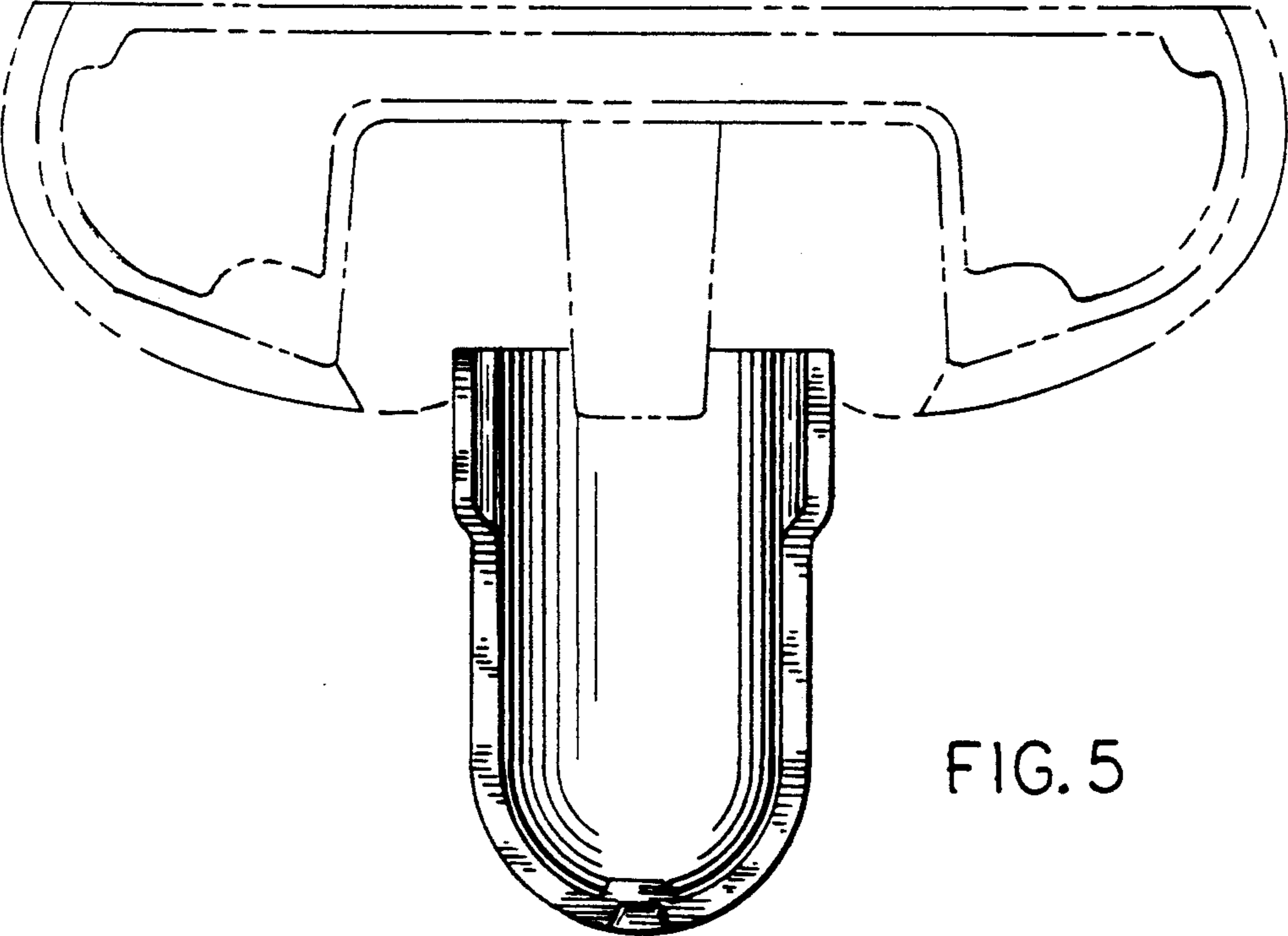
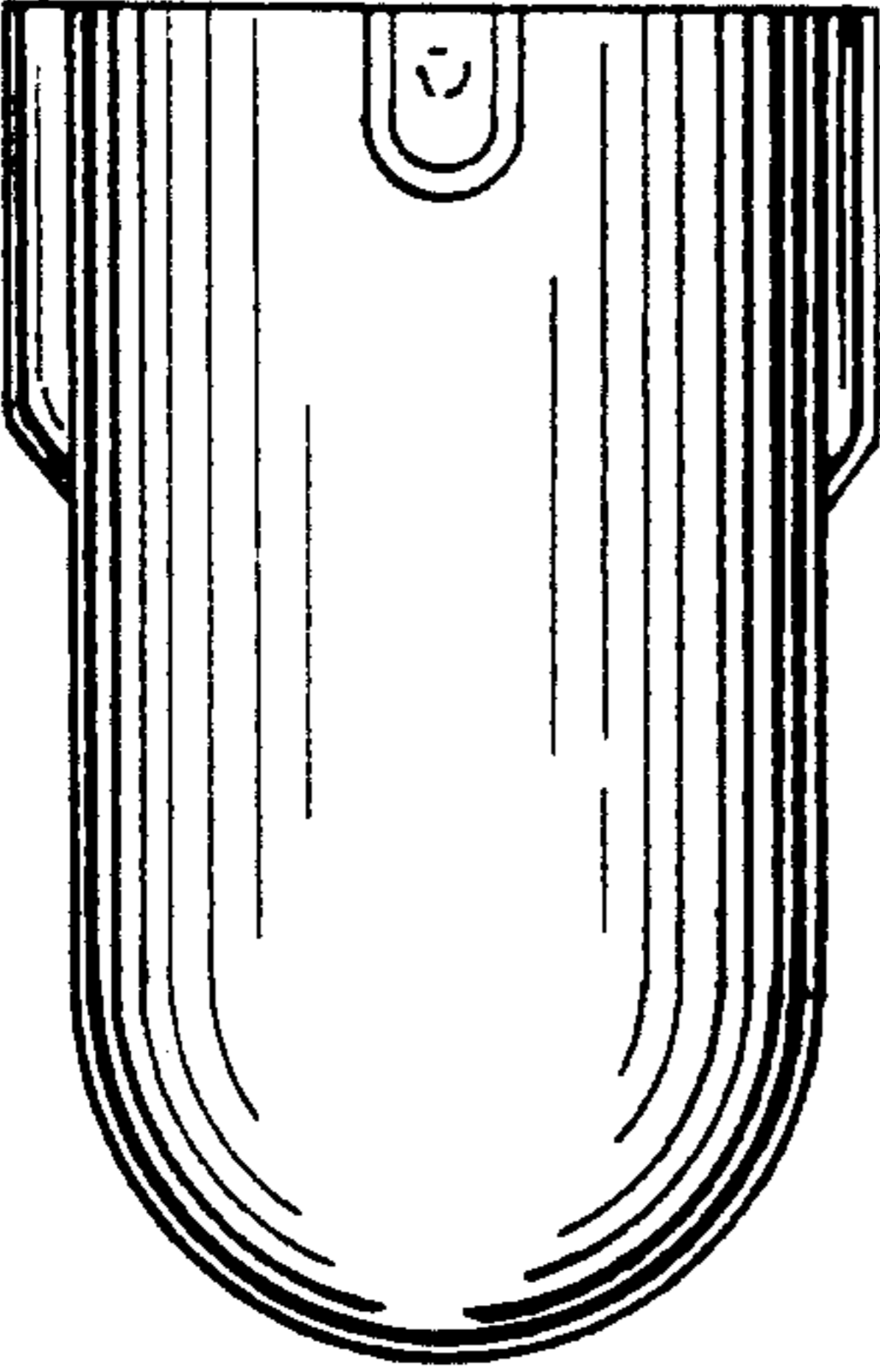


FIG. 5