



US00D332652S

United States Patent [19]

[11] Patent Number: **Des. 332,652**

Foster et al.

[45] Date of Patent: **** Jan. 19, 1993**

- [54] **TRIGGER SPRAYER**
- [75] Inventors: **Donald D. Foster; Martin S. Laffey,**
both of St. Charles, Mo.
- [73] Assignee: **Contico International, Inc.,** St. Louis,
Mo.
- [**] Term: **14 Years**
- [21] Appl. No.: **653,107**
- [22] Filed: **Feb. 11, 1991**
- [52] U.S. Cl. **D23/226; D9/448**
- [58] Field of Search **D23/213, 223-227;**
D9/300-301, 448; 222/383-385, 335, 380, 207,
568; 239/333, 396-397, 337

- 4,257,539 3/1981 Cary et al. .
- 4,313,569 2/1982 Burke .
- 4,519,527 5/1985 Kläeger 222/383
- 4,946,074 8/1990 Grogan .
- 5,040,702 8/1991 Knickerbocker et al. 222/383 X

Primary Examiner—Wallace R. Burke
Assistant Examiner—M. H. Tung
Attorney, Agent, or Firm—Rogers, Howell & Haferkamp

[57] CLAIM

The ornamental design for a trigger sprayer, as shown and described.

DESCRIPTION

FIG. 1 is a top plan view of a trigger sprayer showing my new design;
 FIG. 2 is a right side elevational view thereof;
 FIG. 3 is a rear elevational view thereof;
 FIG. 4 is a front elevational view thereof;
 FIG. 5 is a left side elevational view thereof;
 FIG. 6 is a bottom plan view thereof; and,
 FIG. 7 is a top perspective view thereof, the broken line drawing of the nozzle tip and neck attachment are for illustrative purposes only and form no part of the claimed design.

[56] **References Cited**
U.S. PATENT DOCUMENTS

- D. 256,271 8/1980 Tada .
- D. 275,078 8/1984 Wassergord et al. D9/448 X
- D. 275,456 9/1984 Martin .
- D. 321,315 11/1991 Malm et al. D9/300
- D. 326,707 6/1992 Silvenis et al. D23/226
- 4,191,313 3/1980 Blake et al. 222/383 X

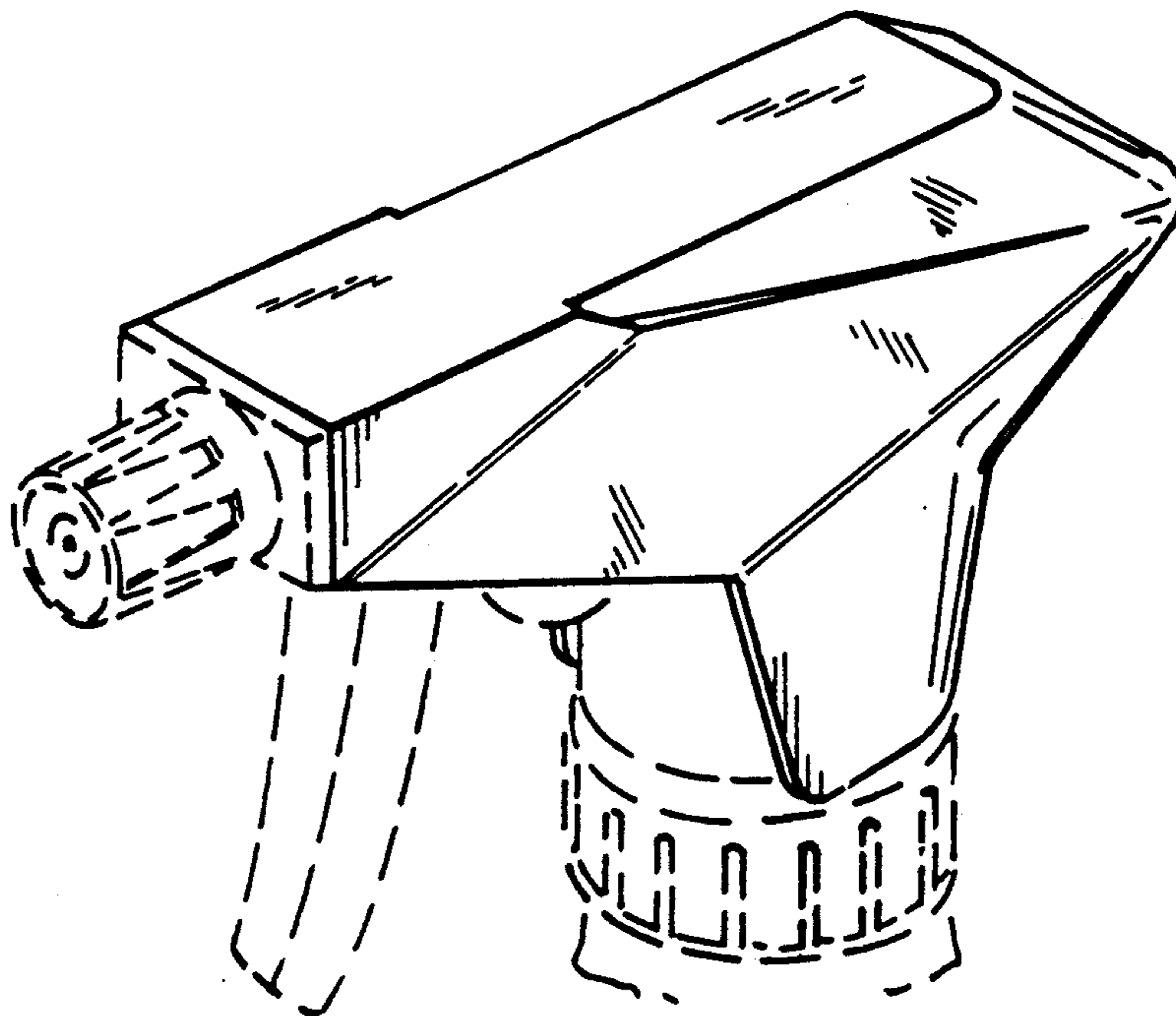


FIG. 1.

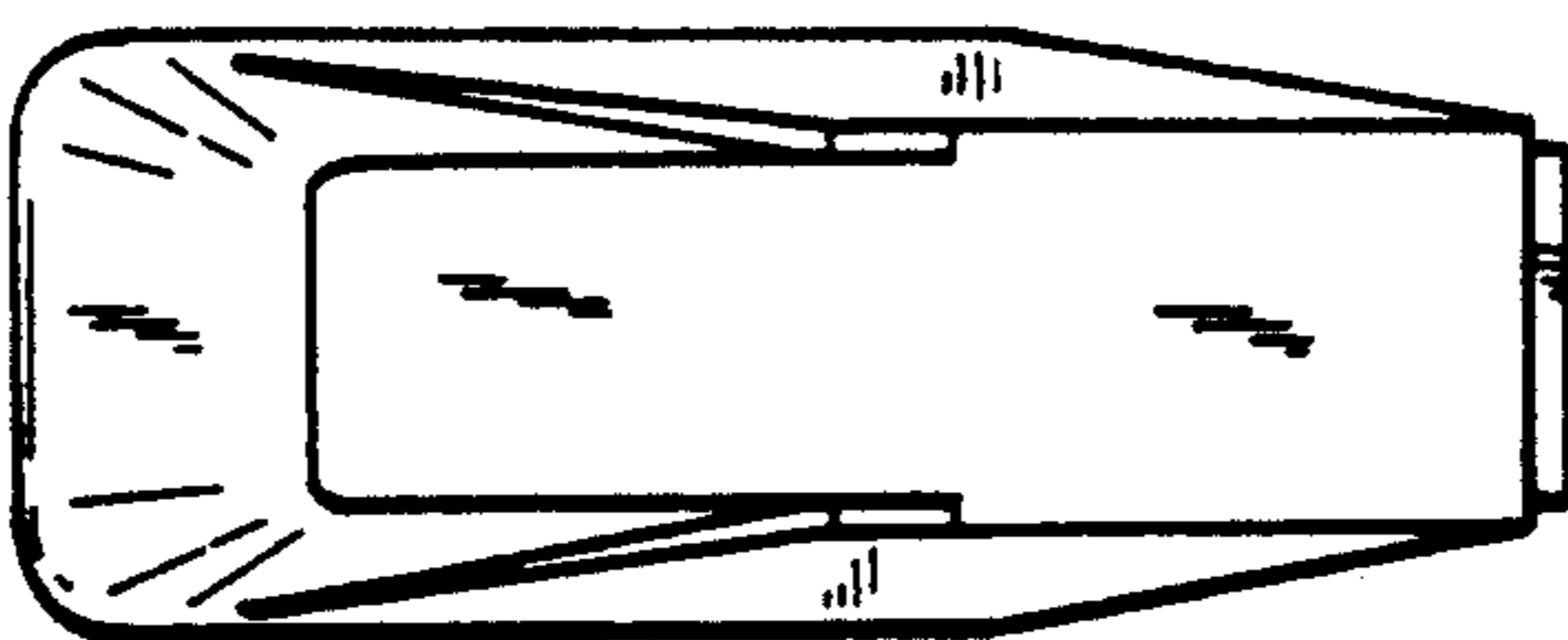


FIG. 3.

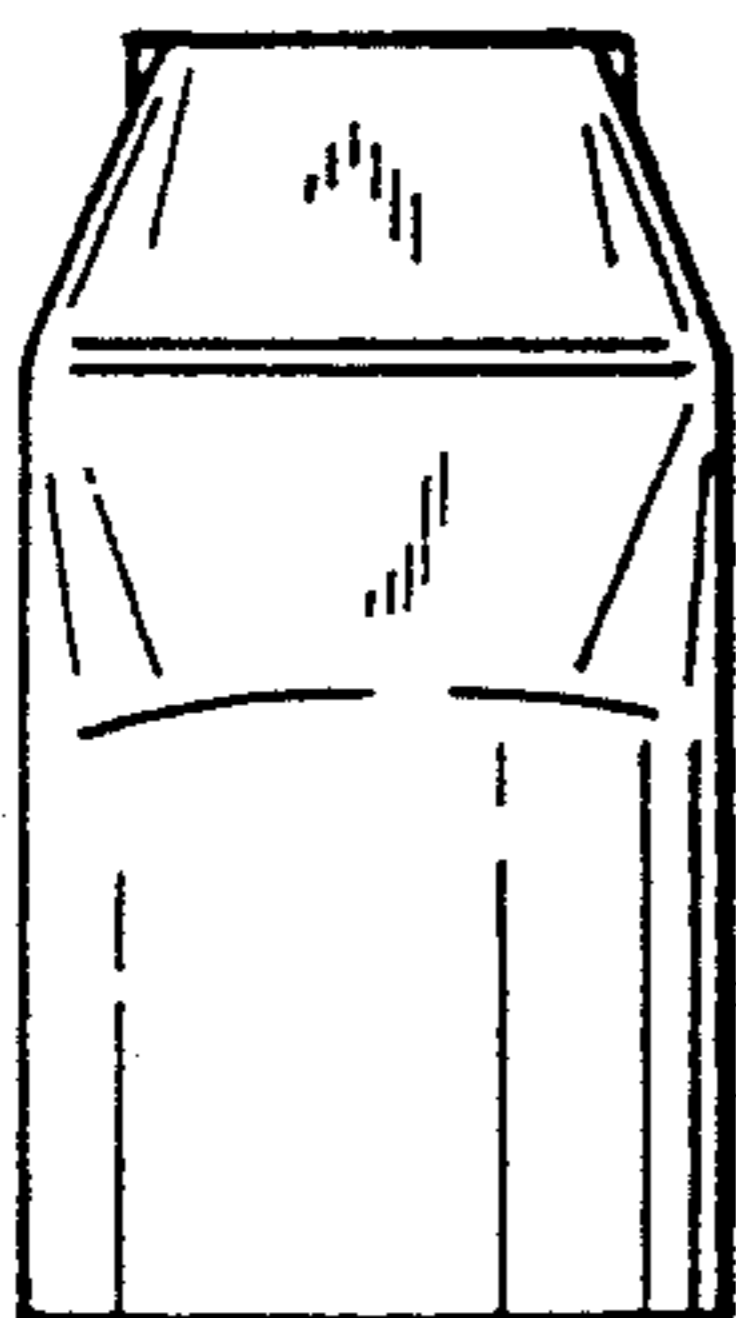


FIG. 2.

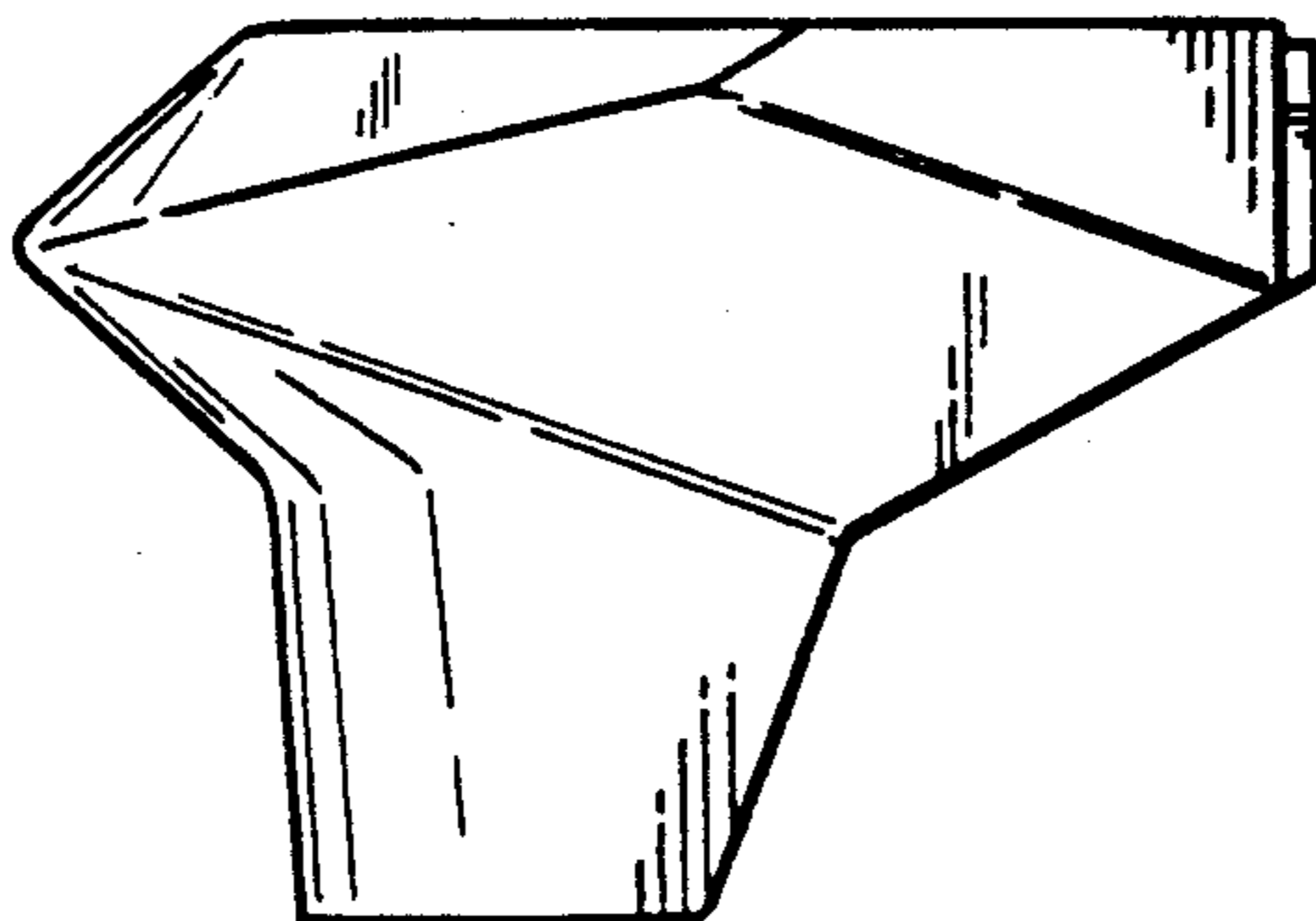


FIG. 4.

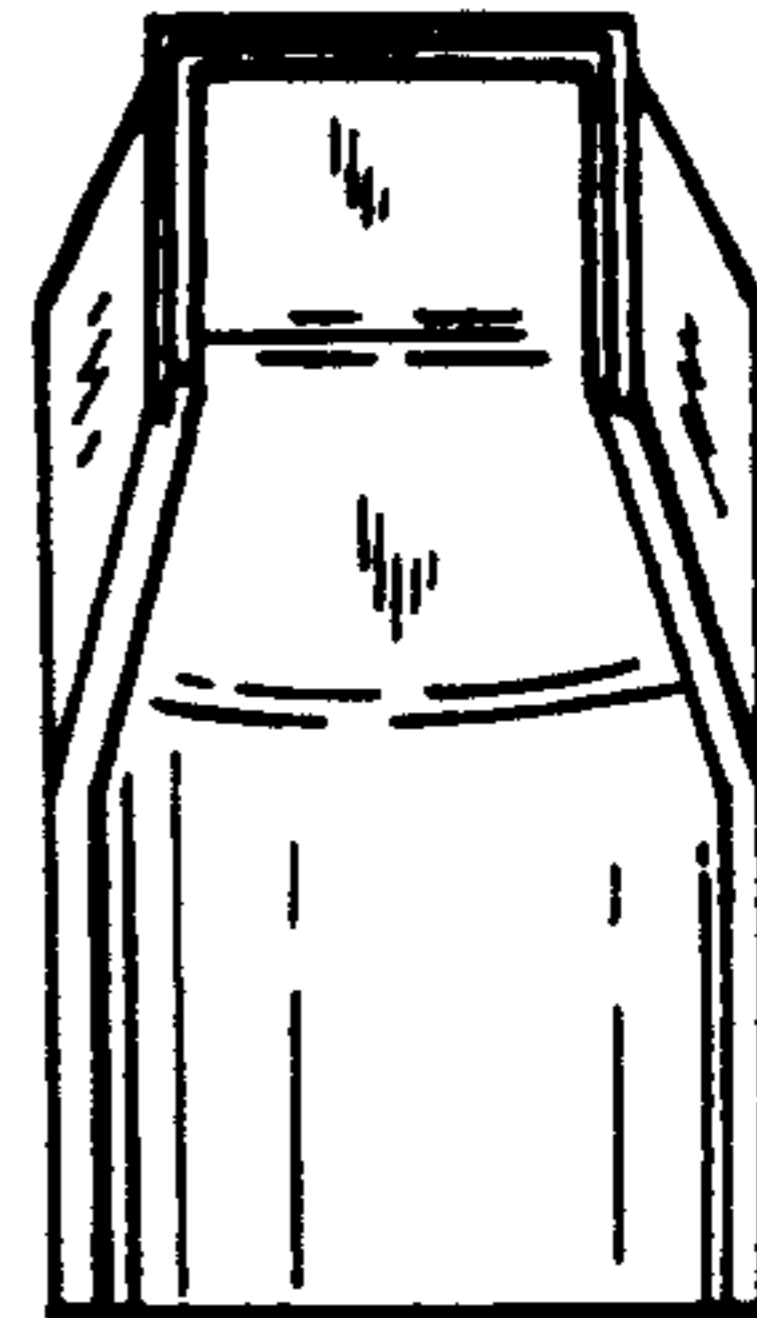


FIG. 6.

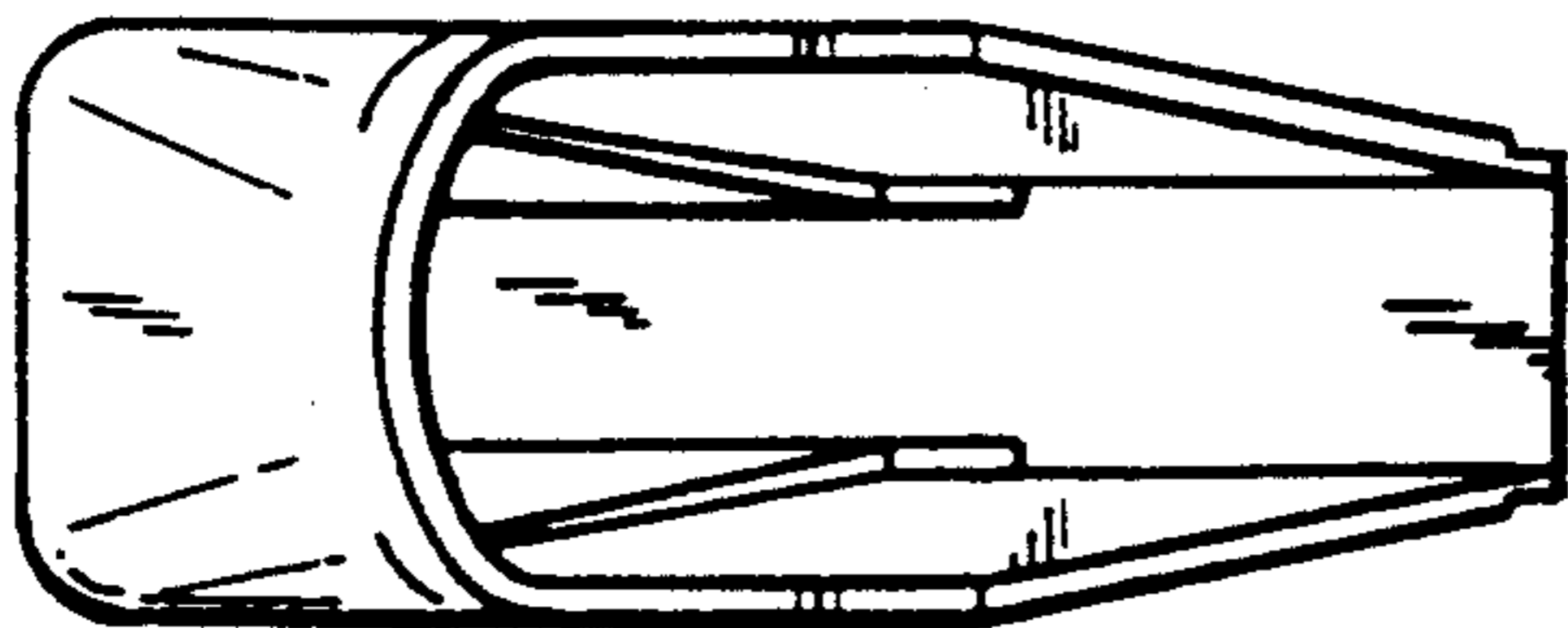


FIG. 5.

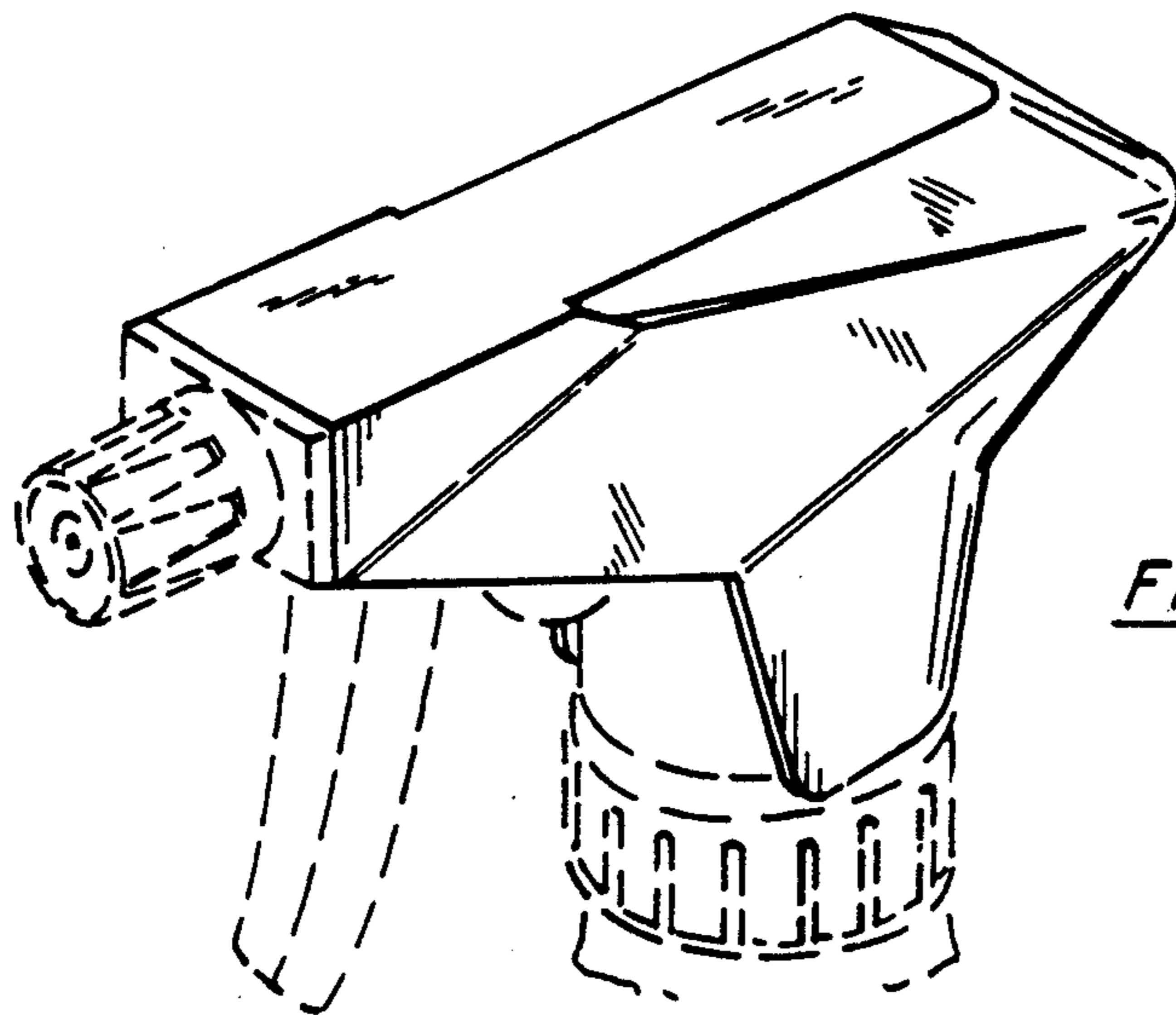
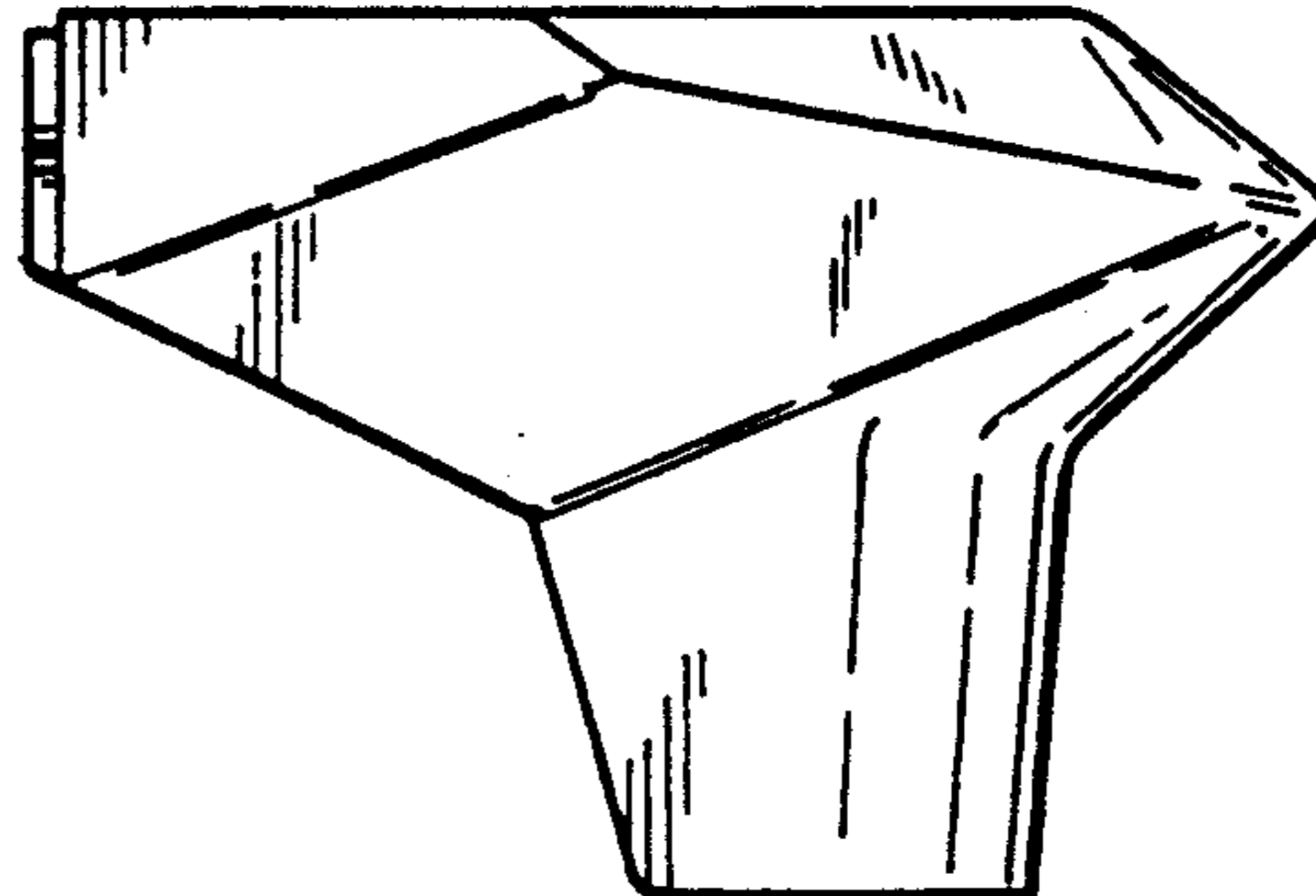


FIG. 7.