



US00D332648S

United States Patent [19]
Mitchell, Jr.

[11] **Patent Number: Des. 332,648**
[45] **Date of Patent: ** Jan. 19, 1993**

[54] **POOL TABLE**

[76] **Inventor: Joseph E. Mitchell, Jr., 601 Tallahassee Dr., NE., St. Petersburg, Fla. 33702**

[**] **Term: 14 Years**

[21] **Appl. No.: 683,004**

[22] **Filed: Apr. 10, 1991**

[52] **U.S. Cl. D21/232; D6/480**

[58] **Field of Search D21/232; 273/3 R, 3 A, 273/3 C, 4 R, 2, 6, 10; D6/480, 484, 495, 360-363**

[56] **References Cited**

U.S. PATENT DOCUMENTS

- D. 259,579 6/1981 Kaye D21/232
- D. 262,566 1/1982 Kaye D21/232
- D. 271,989 12/1983 Painchaud et al. D21/232
- D. 278,959 5/1985 Berry, Jr. D6/480
- D. 314,478 2/1991 Kubryk D6/480 X

OTHER PUBLICATIONS

Toys and Novelties, Jun. 1964, p. 44 Billiard Table, top right of the page.

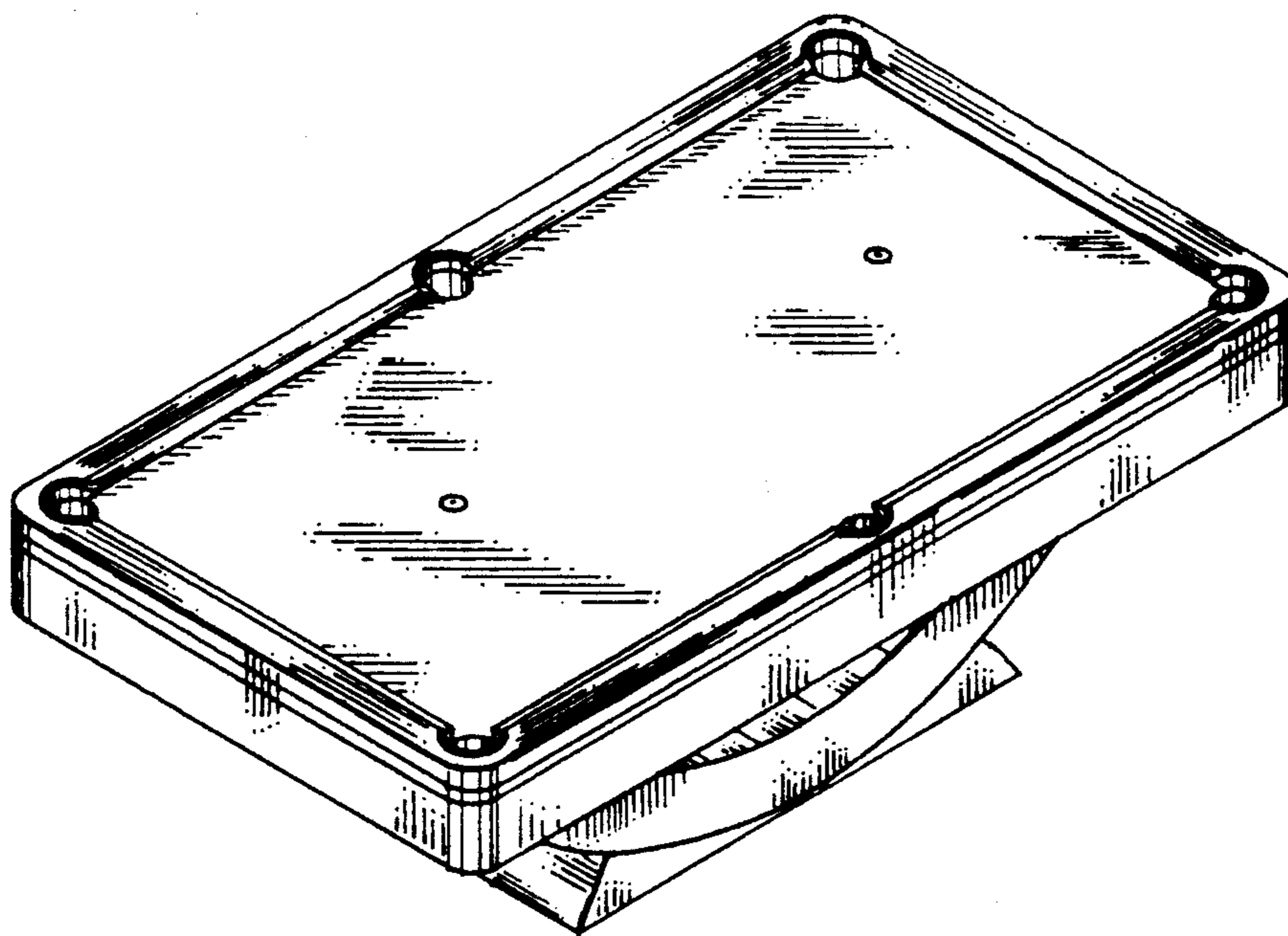
Primary Examiner—Bernard Ansher
Assistant Examiner—Prabhakar Deshmukh
Attorney, Agent, or Firm—Joseph C. Mason, Jr.; Ronald E. Smith

[57] **CLAIM**

The ornamental design for a pool table, as shown and described.

DESCRIPTION

FIG. 1 is a perspective view of a pool table showing my new design;
FIG. 2 is a top plan view thereof;
FIG. 3 is a front elevational view thereof; the rear elevational view being a mirror image thereof;
FIG. 4 is a left side elevational view thereof; the right side elevational view being a mirror image thereof; and,
FIG. 5 is a bottom plan view thereof.



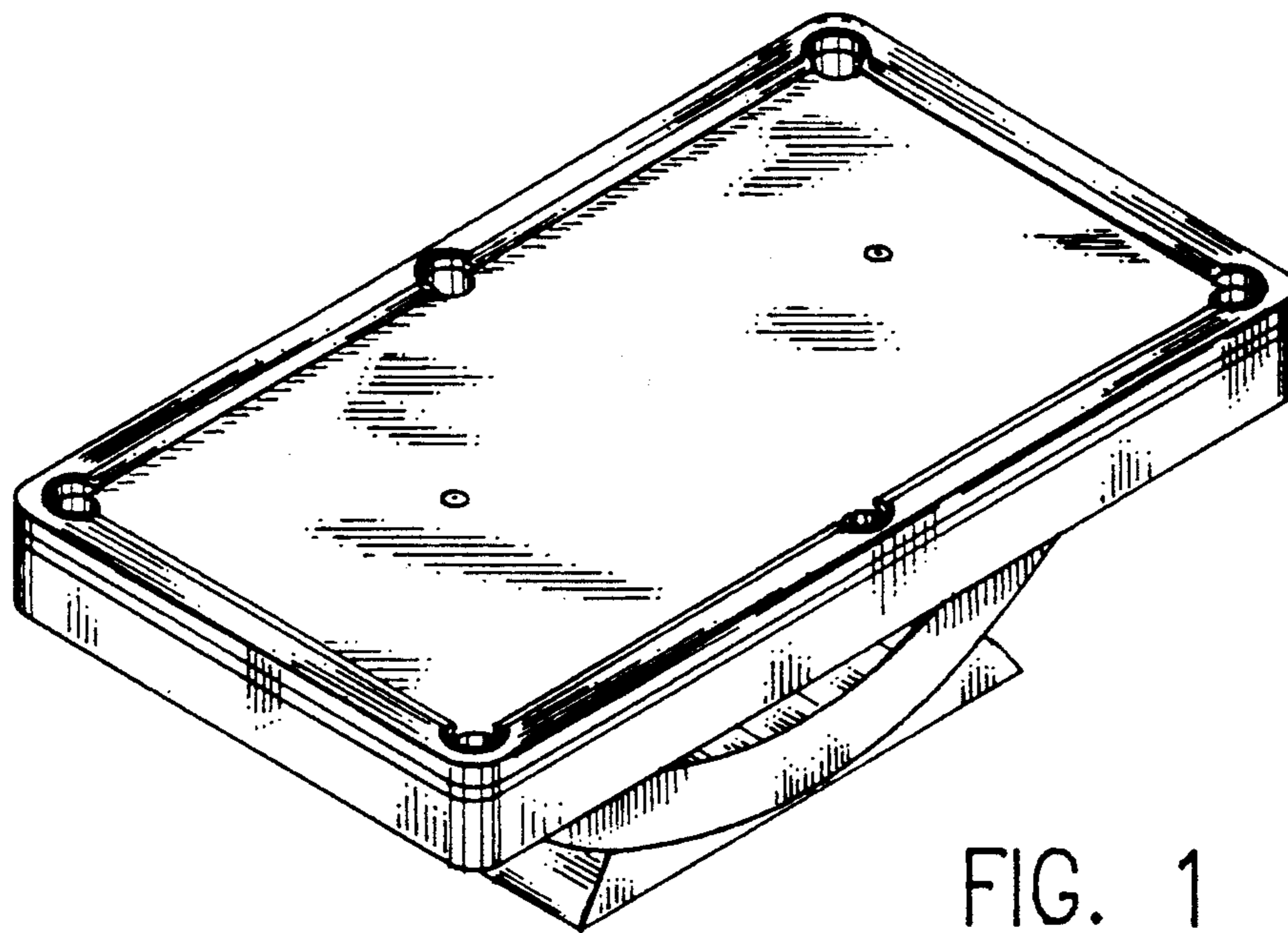


FIG. 1

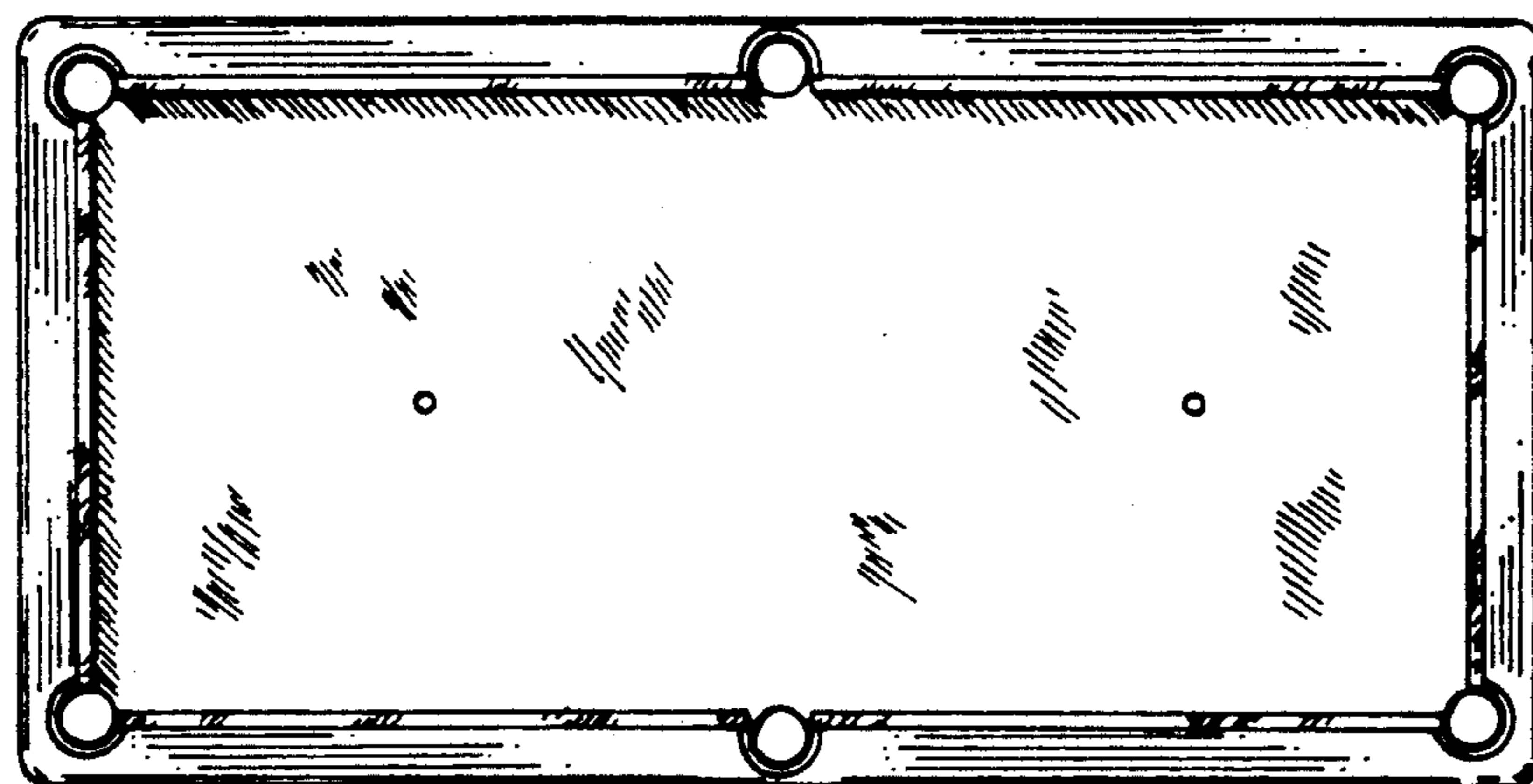


FIG. 2

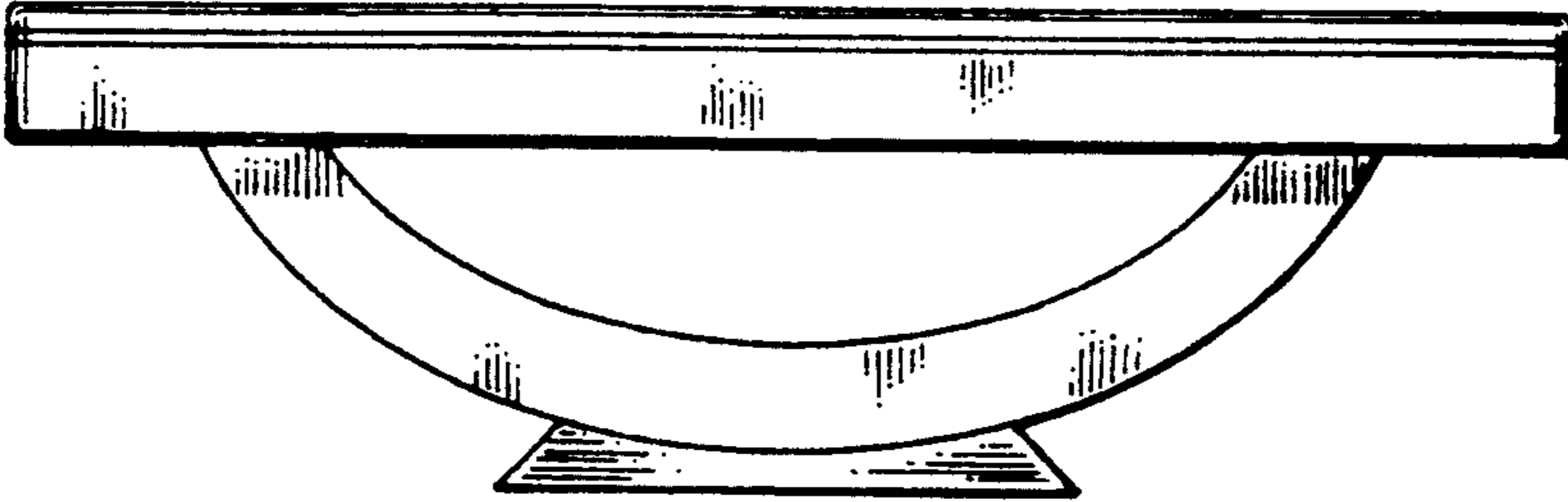


FIG. 3

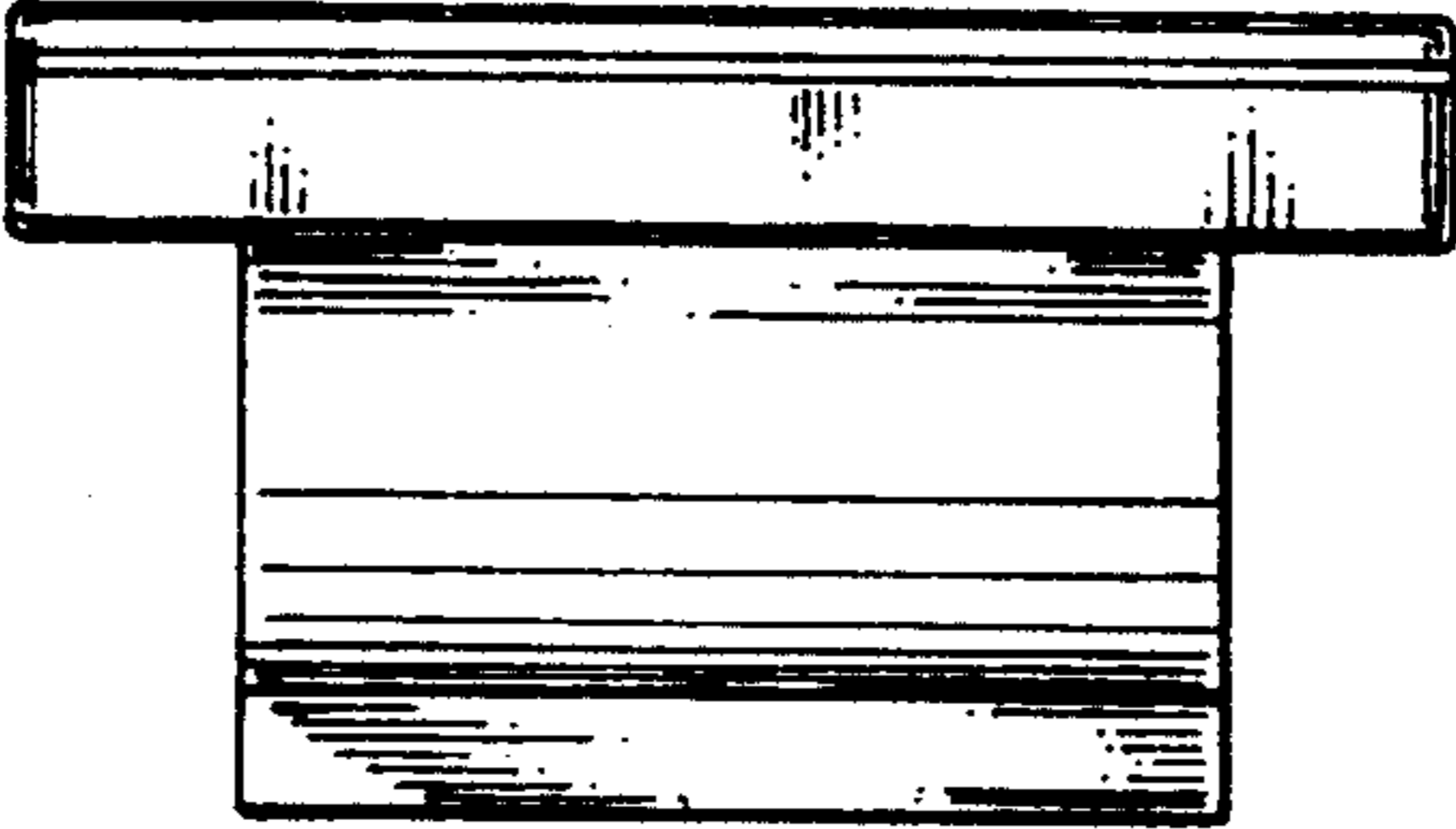


FIG. 4

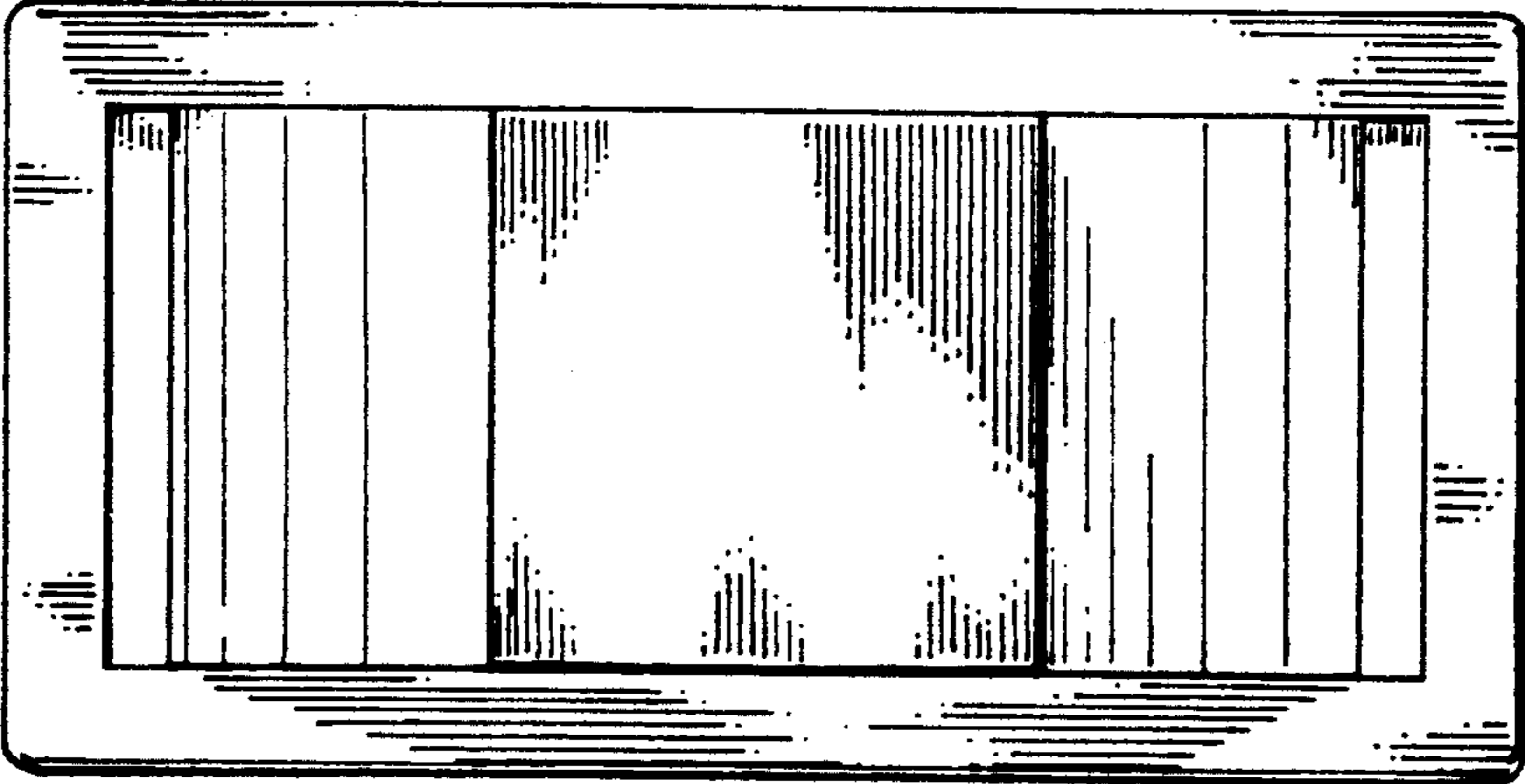


FIG. 5