



US00D332647S

# United States Patent [19]

Johnson

[11] Patent Number: **Des. 332,647**

[45] Date of Patent: **\*\* Jan. 19, 1993**

[54] **ADJUSTABLE STEP-UP BOX FOR EXERCISE**

[76] Inventor: **John Johnson**, 709 S. Woodland, Pittsburg, Kans. 66762

[\*\*] Term: **14 Years**

[21] Appl. No.: **670,161**

[22] Filed: **Mar. 15, 1991**

[52] U.S. Cl. .... **D21/191; D6/431; D6/479; D25/65**

[58] Field of Search ..... **D21/191; D25/62, 65; D6/349, 339, 335, 449, 477-479, 475, 474, 466, 429-431; 482/252; 211/13, 126; 108/91, 108, 111**

[56] **References Cited**

### U.S. PATENT DOCUMENTS

|            |        |             |       |          |
|------------|--------|-------------|-------|----------|
| D. 220,997 | 6/1971 | Suezia      | ..... | D6/335   |
| D. 232,681 | 9/1974 | Bliss       | ..... | D6/431   |
| D. 249,618 | 9/1978 | Qxenhandler | ..... | D6/431   |
| D. 258,556 | 3/1981 | Verdesca    | ..... | D6/479   |
| D. 258,791 | 4/1981 | Verdesca    | ..... | D6/479   |
| D. 273,919 | 5/1984 | Pasinski    | ..... | D25/65 X |

|            |        |                |       |          |
|------------|--------|----------------|-------|----------|
| D. 274,489 | 7/1984 | DeVries et al. | ..... | D6/479 X |
| 4,082,356  | 4/1978 | Johnson        | ..... | D6/335 X |
| 4,463,684  | 8/1984 | Klungle        | ..... | 108/91   |

### OTHER PUBLICATIONS

Interiors, Sep. 1976, p. 32, item 18.

*Primary Examiner*—Nelson C. Holtje

*Assistant Examiner*—Jeffrey Asch

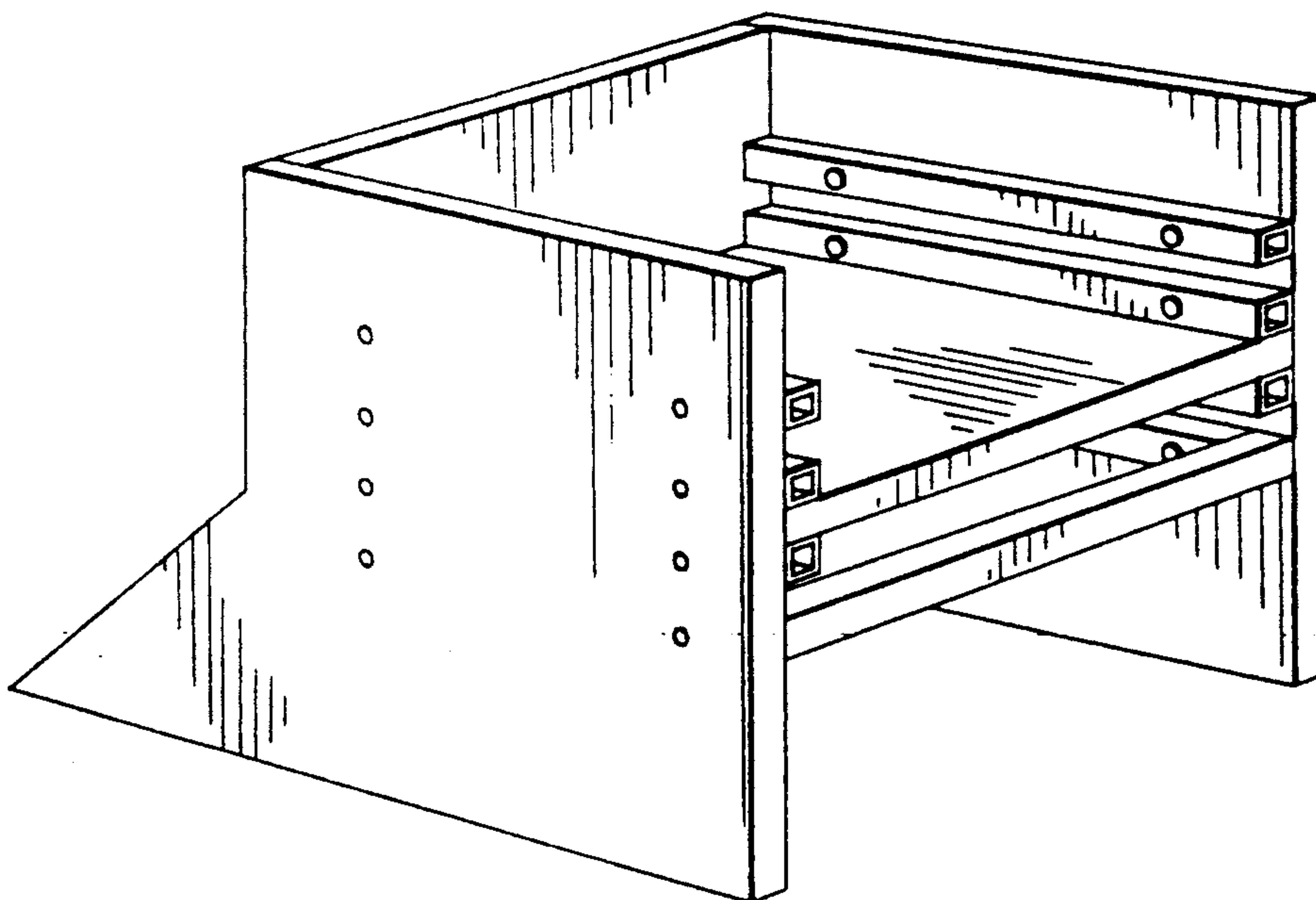
*Attorney, Agent, or Firm*—Kokjer, Kircher, Bowman & Johnson

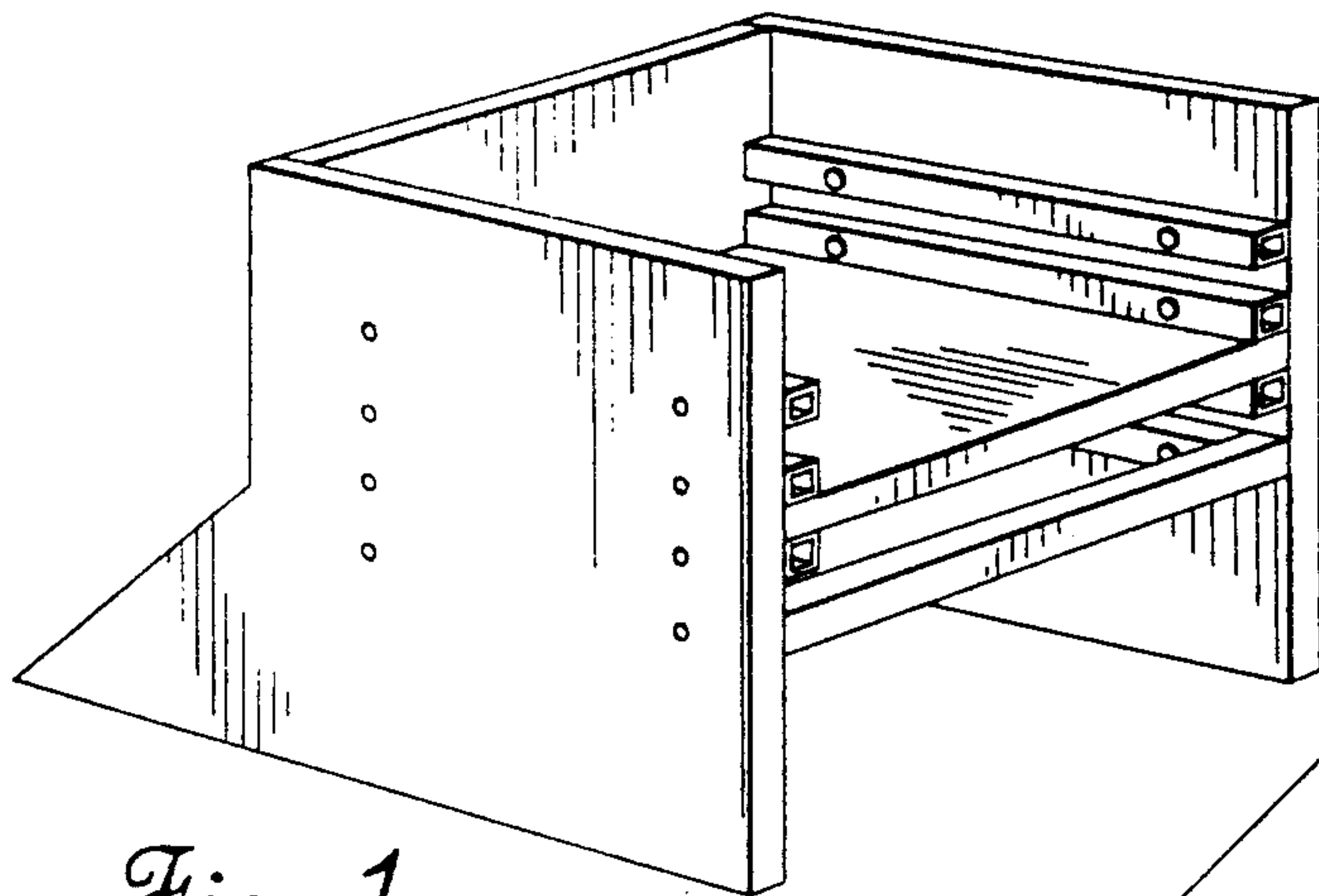
### [57] CLAIM

The ornamental design for an adjustable step-up box for exercise, as shown and described.

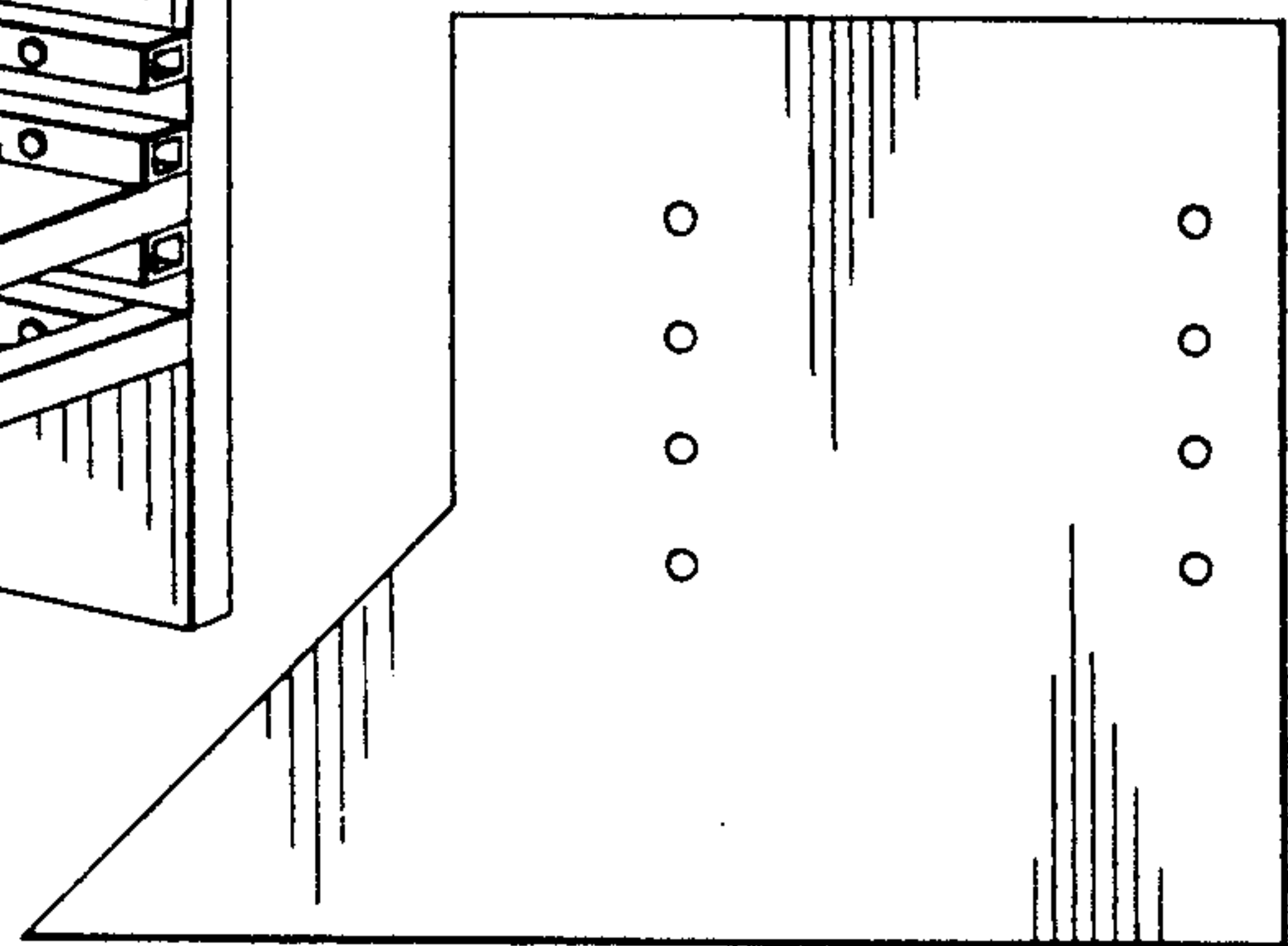
### DESCRIPTION

FIG. 1 is a perspective view of an adjustable step-up box for exercise showing my new design; FIG. 2 is a left side elevational view, the right side being a mirror image; FIG. 3 is a front elevational view thereof; FIG. 4 is a top plan view thereof; FIG. 5 is a rear elevational view thereof; and, FIG. 6 is a bottom plan view thereof.

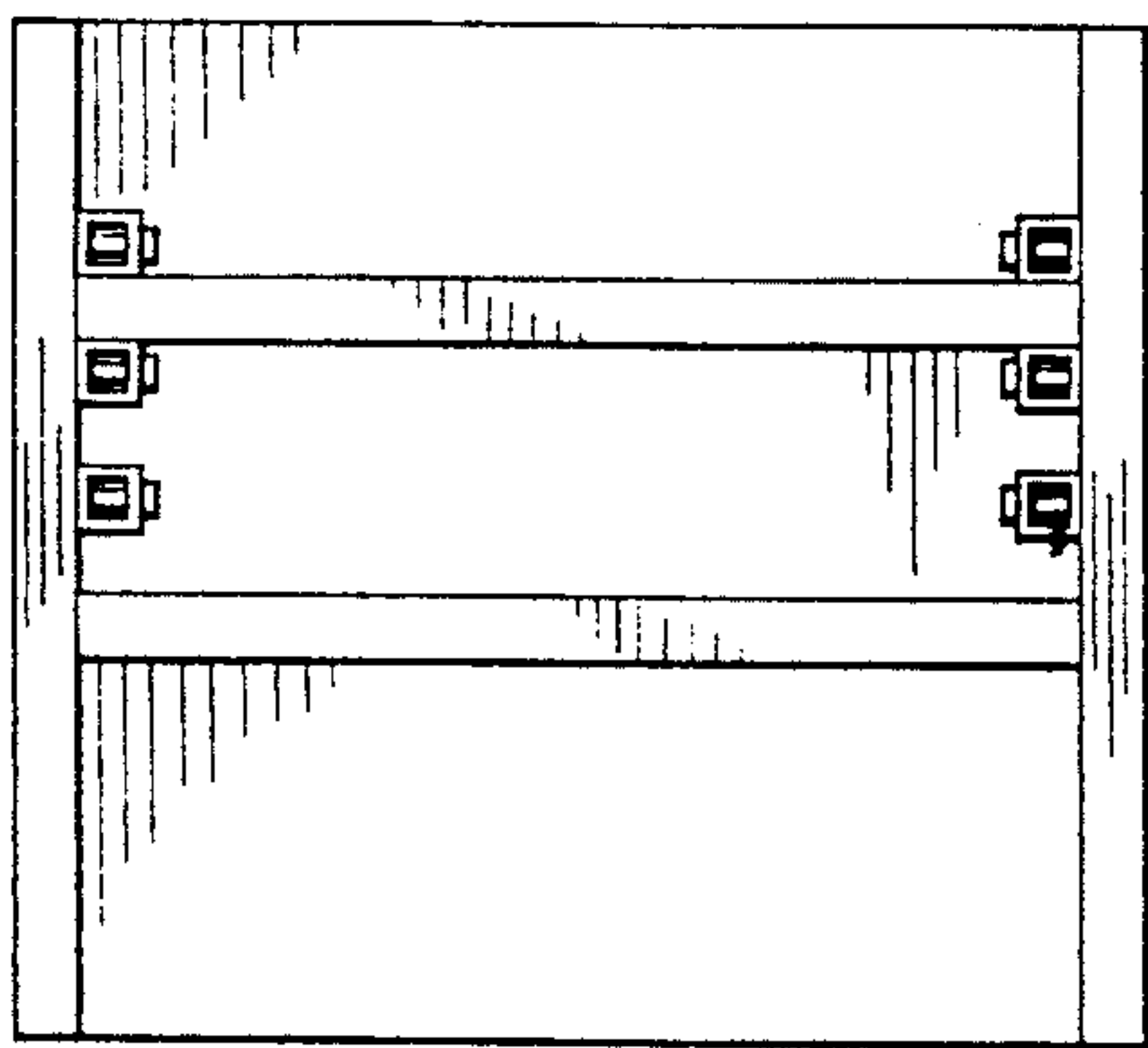




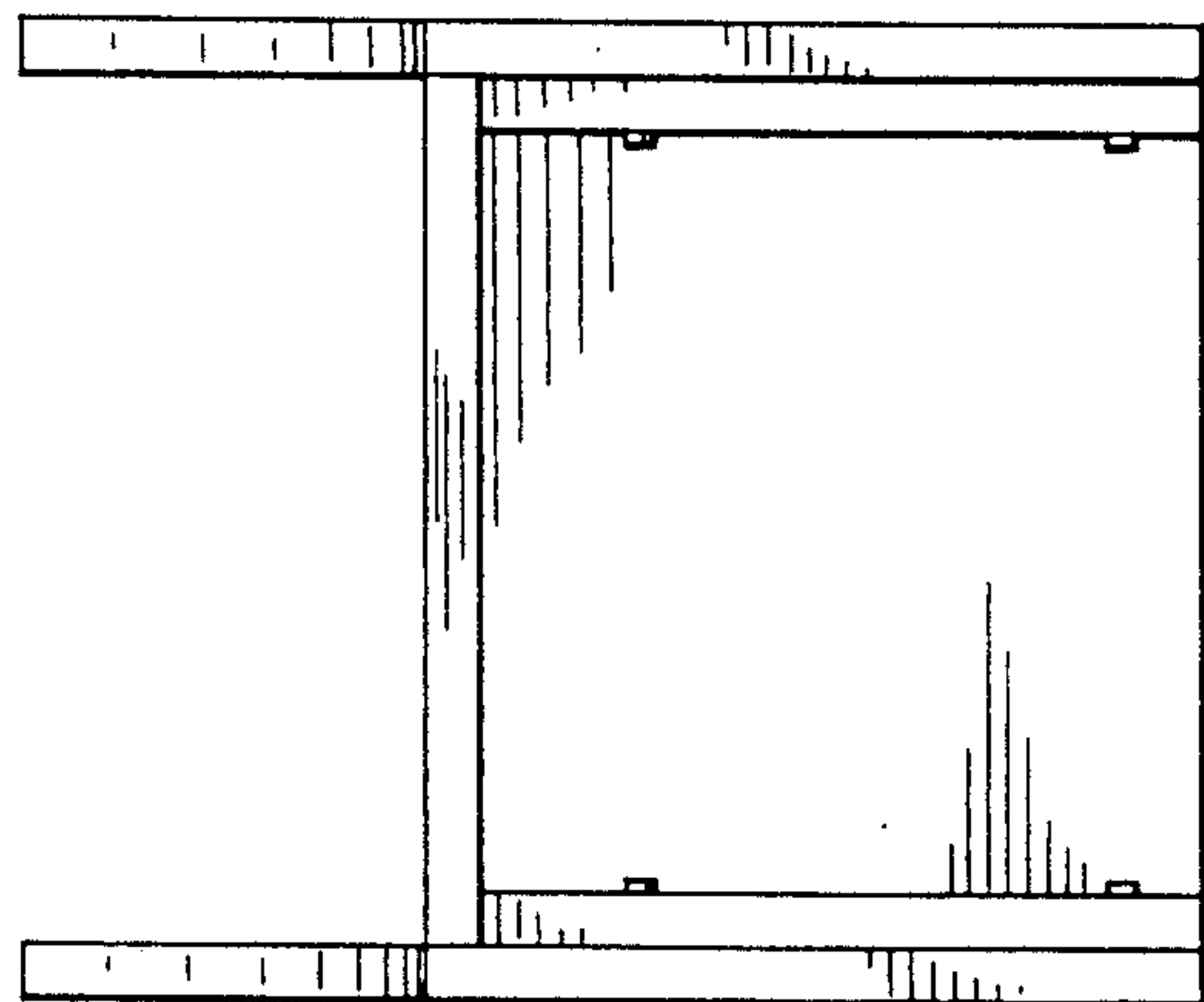
*Fig. 1.*



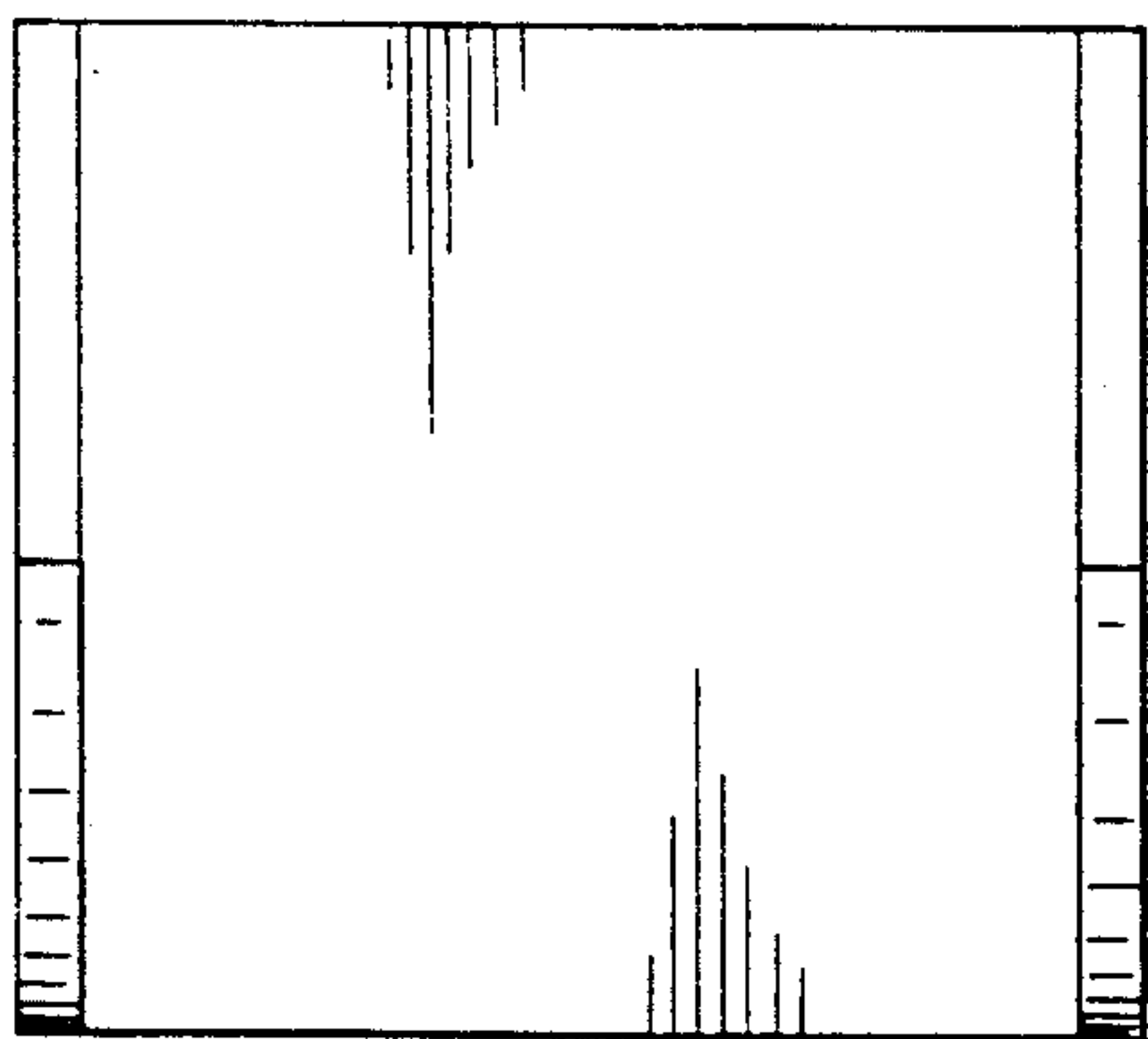
*Fig. 2.*



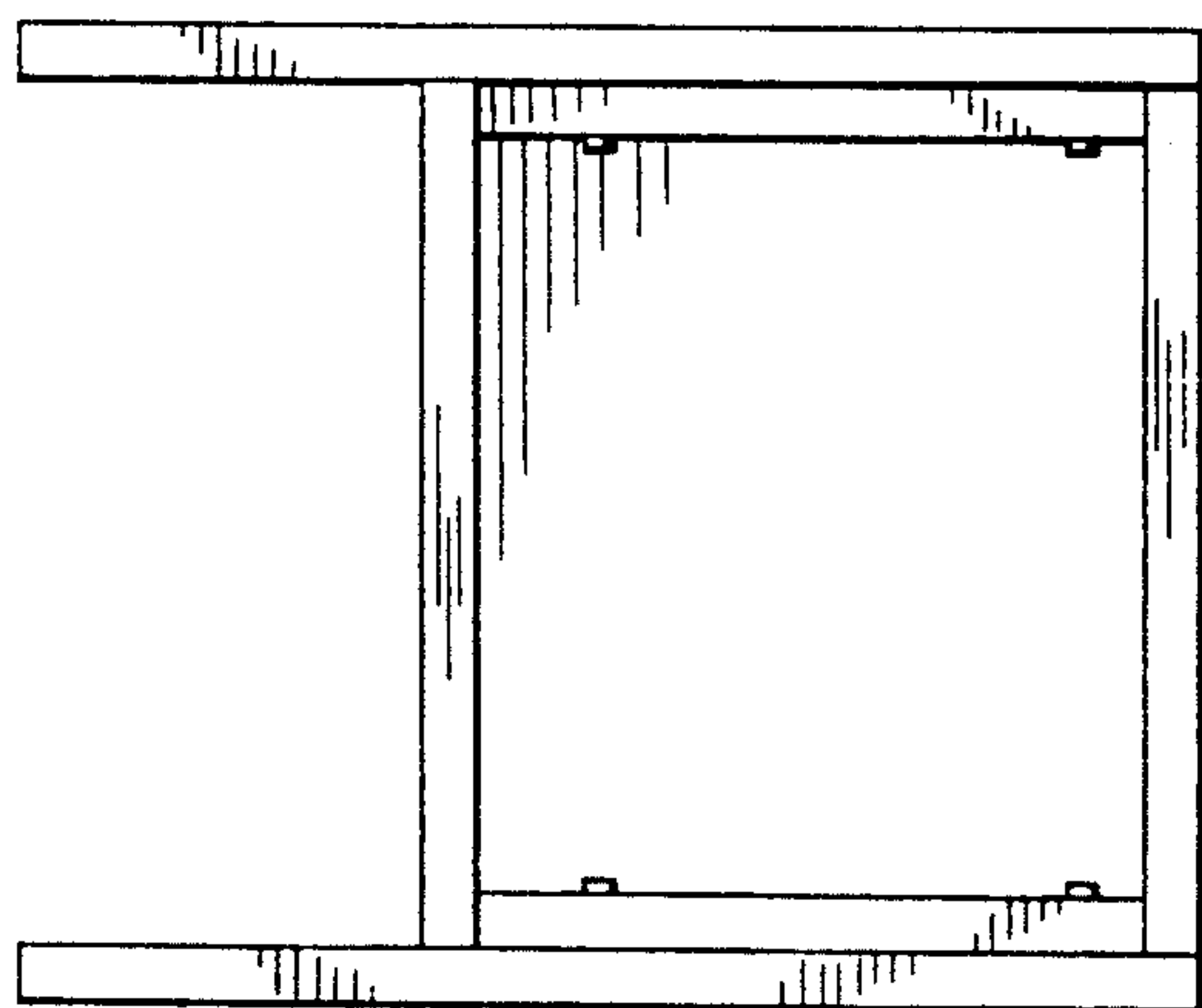
*Fig. 3.*



*Fig. 4.*



*Fig. 5.*



*Fig. 6.*