



US00D332646S

United States Patent [19]

[11] Patent Number: **Des. 332,646**

Aker et al.

[45] Date of Patent: **** Jan. 19, 1993**

[54] **WORKSHOP TOY**

[75] Inventors: **Kevin R. Aker, Hudson; Robert L. Houry, Solon, both of Ohio**

[73] Assignee: **The Little Tikes Company, Hudson, Ohio**

[**] Term: **14 Years**

[21] Appl. No.: **611,350**

[22] Filed: **Nov. 8, 1990**

[52] U.S. Cl. **D21/121**

[58] Field of Search **D21/121, 122; D6/400; 446/481, 482**

Gioranale Dei Giocattoli", Via Caracciolo 77, 20155 Milano, Italy. Publication data unknown.

Page 463, JC Penney Company, Inc., Christmas 1987 Catalog, Catalog Division, Milwaukee, Wis. 53263-0370. Publication date 1987.

Page 374, Sears, Roebuck and Co., Christmas Catalog, Sears Tower, Chicago, Ill. 60684. Publication date unknown.

Page 493, Sears, Roebuck and Co., Christmas 1972 Catalog, Sears Tower, Chicago, Ill. 60684. Publication date 1972.

Page 23, The Little Tikes Company, 2180 Barlow Road, Hudson, Ohio 44236. Publication date 1984.

Primary Examiner—Bernard Ansher

Assistant Examiner—R. Barkai

Attorney, Agent, or Firm—Richard B. O'Planick

[56] **References Cited**

U.S. PATENT DOCUMENTS

D. 258,162	2/1981	Orenstein	D21/121
D. 261,404	10/1981	Appel	D21/122
D. 277,019	1/1985	Appel	D21/121
D. 277,020	1/1985	Moriol	D21/122
D. 294,608	3/1988	Benedetto	D21/122
D. 302,030	7/1989	Breuil	D21/121

OTHER PUBLICATIONS

Sell Sheet, Today's Kids, Highway 10 East, Booneville, Ark. 72927 Publication date Spring 1989.

Page 88, Italian Toy Industry Magazine entitled "Il

[57] **CLAIM**

The ornamental design for a workshop toy, as shown and described.

DESCRIPTION

FIG. 1 is a left front perspective view of a workshop toy embodying our new design;

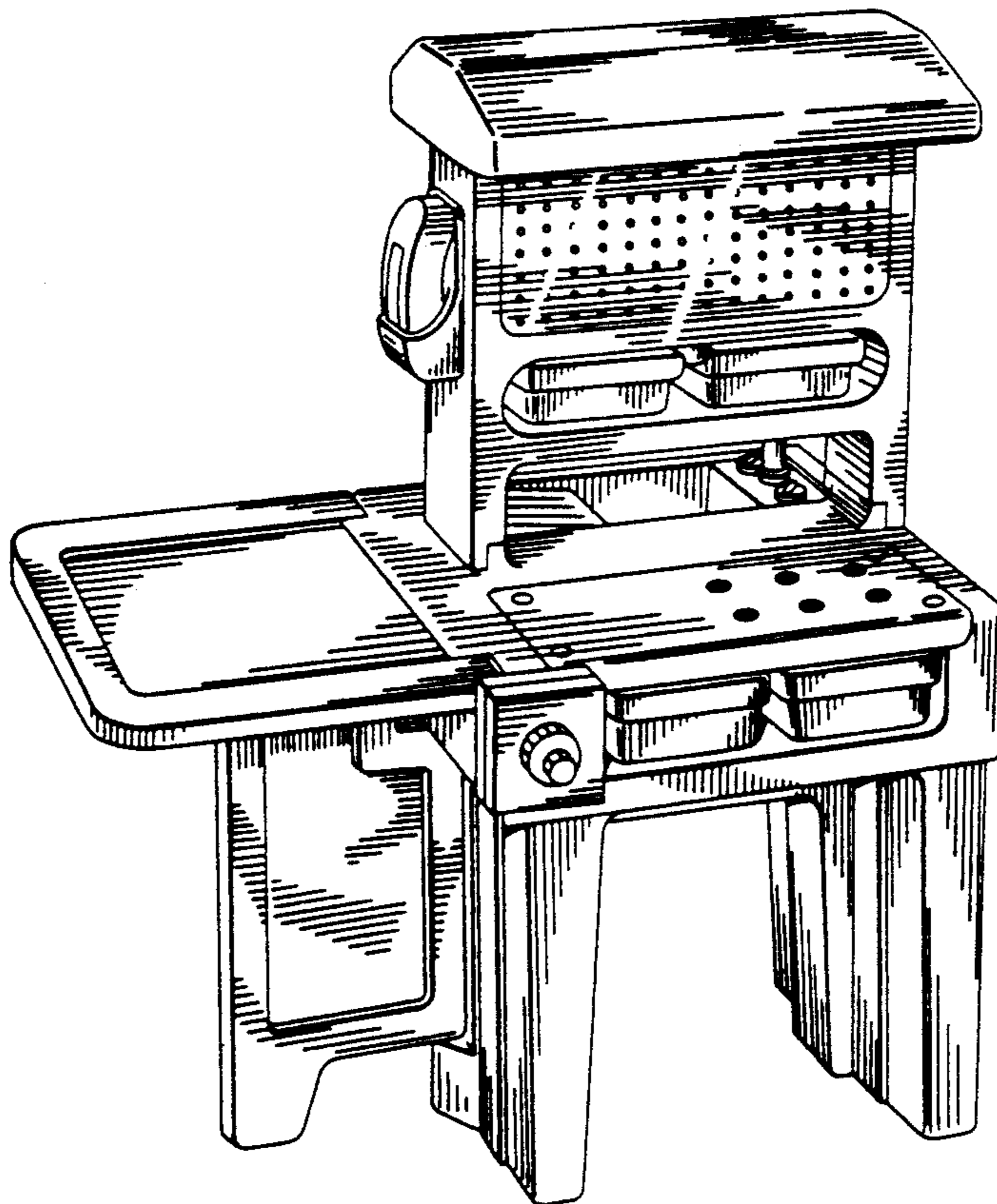
FIG. 2 is a right side perspective view thereof;

FIG. 3 is a left rear perspective view thereof;

FIG. 4 is a left side perspective view thereof;

FIG. 5 is a top plan view thereof; and,

FIG. 6 is a bottom plan view thereof.



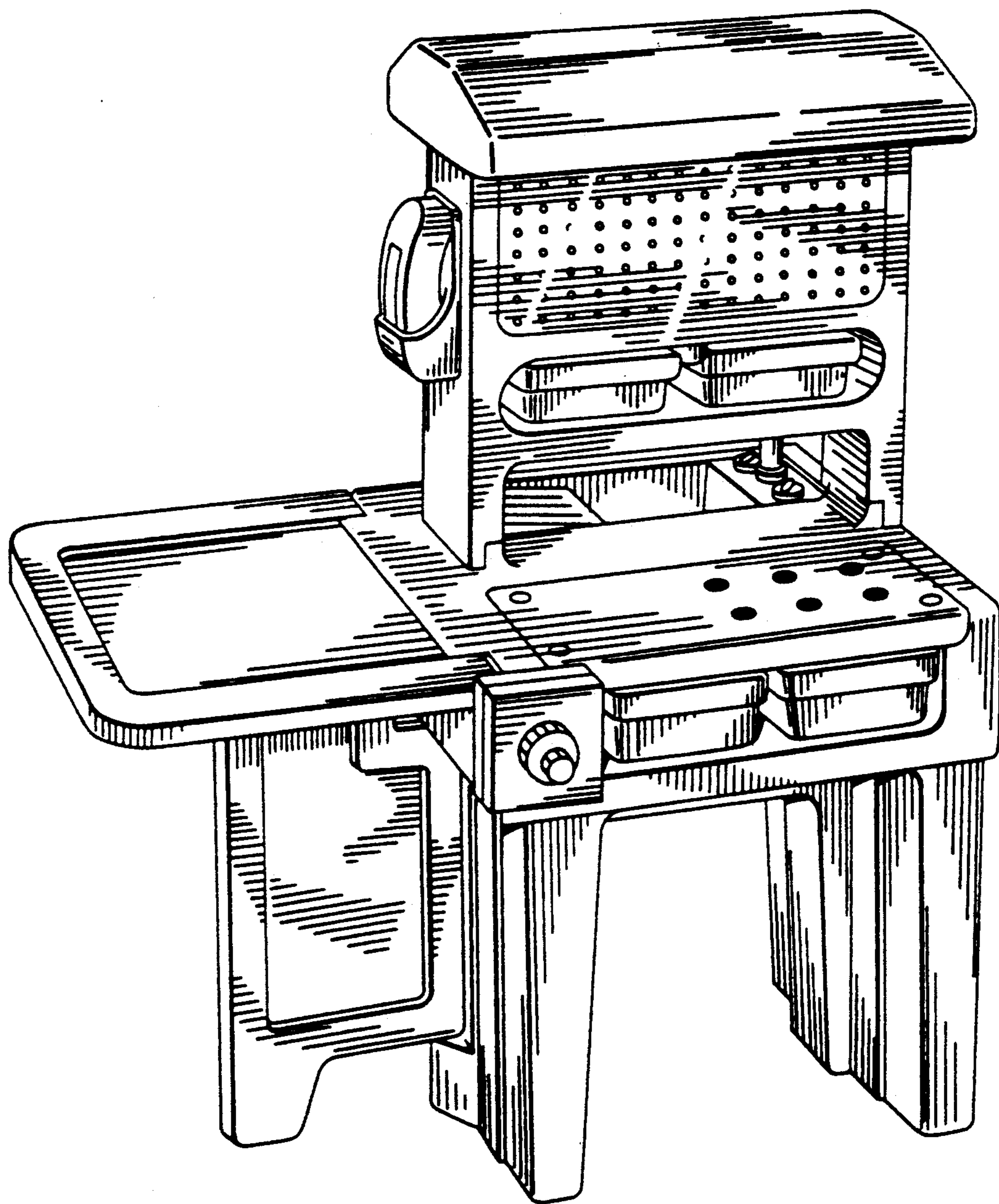


FIG. 1

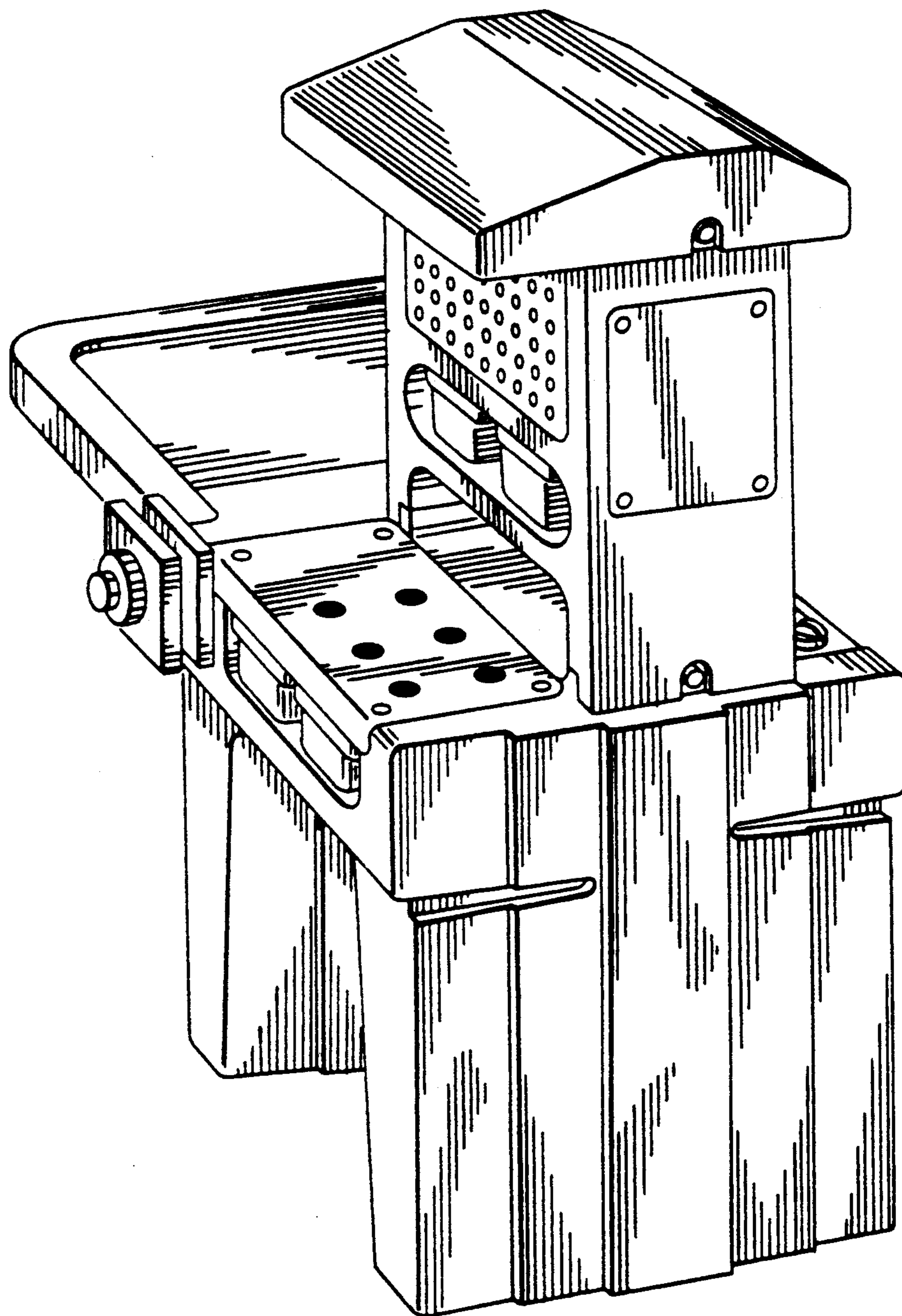


FIG. 2

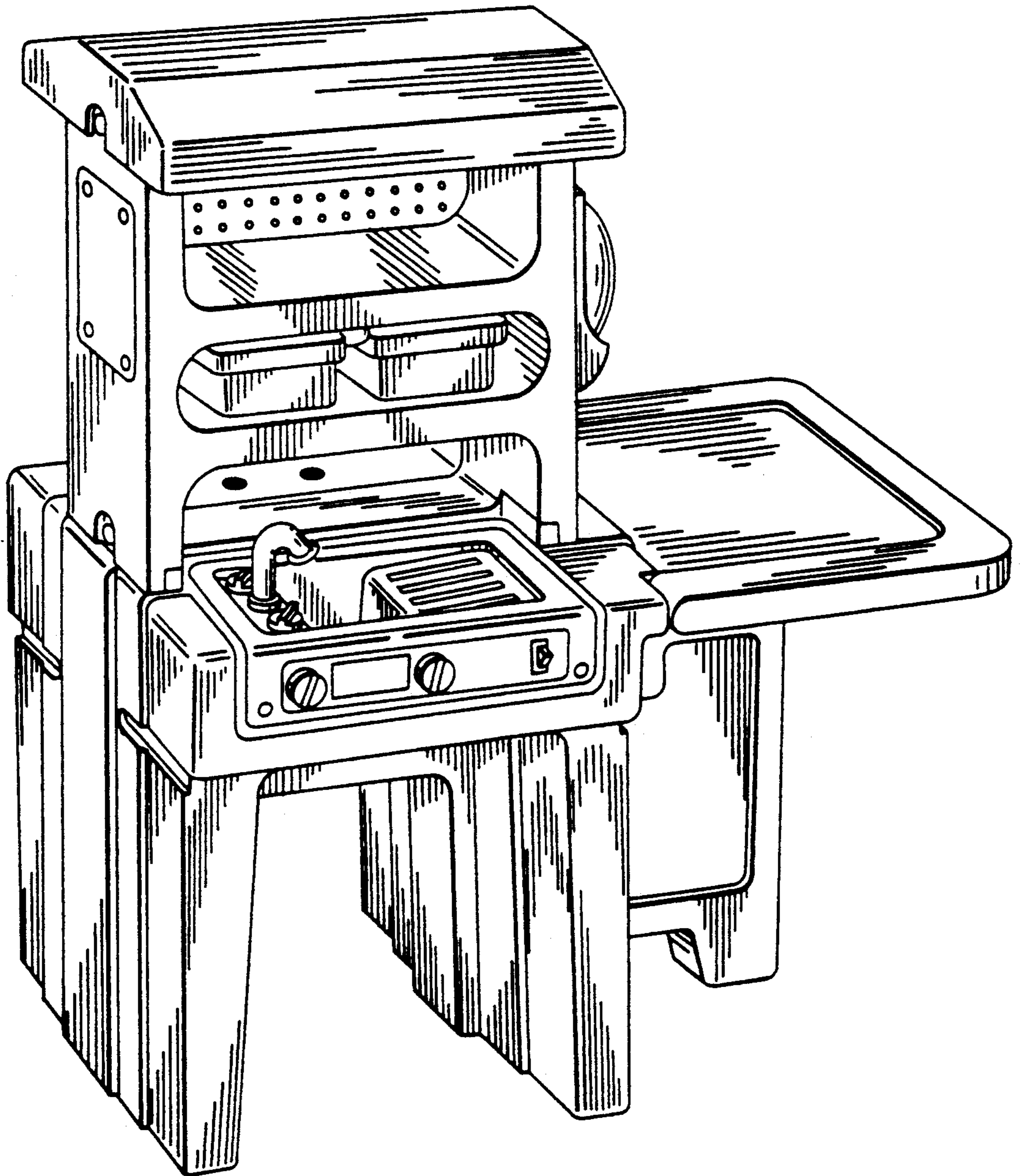


FIG. 3

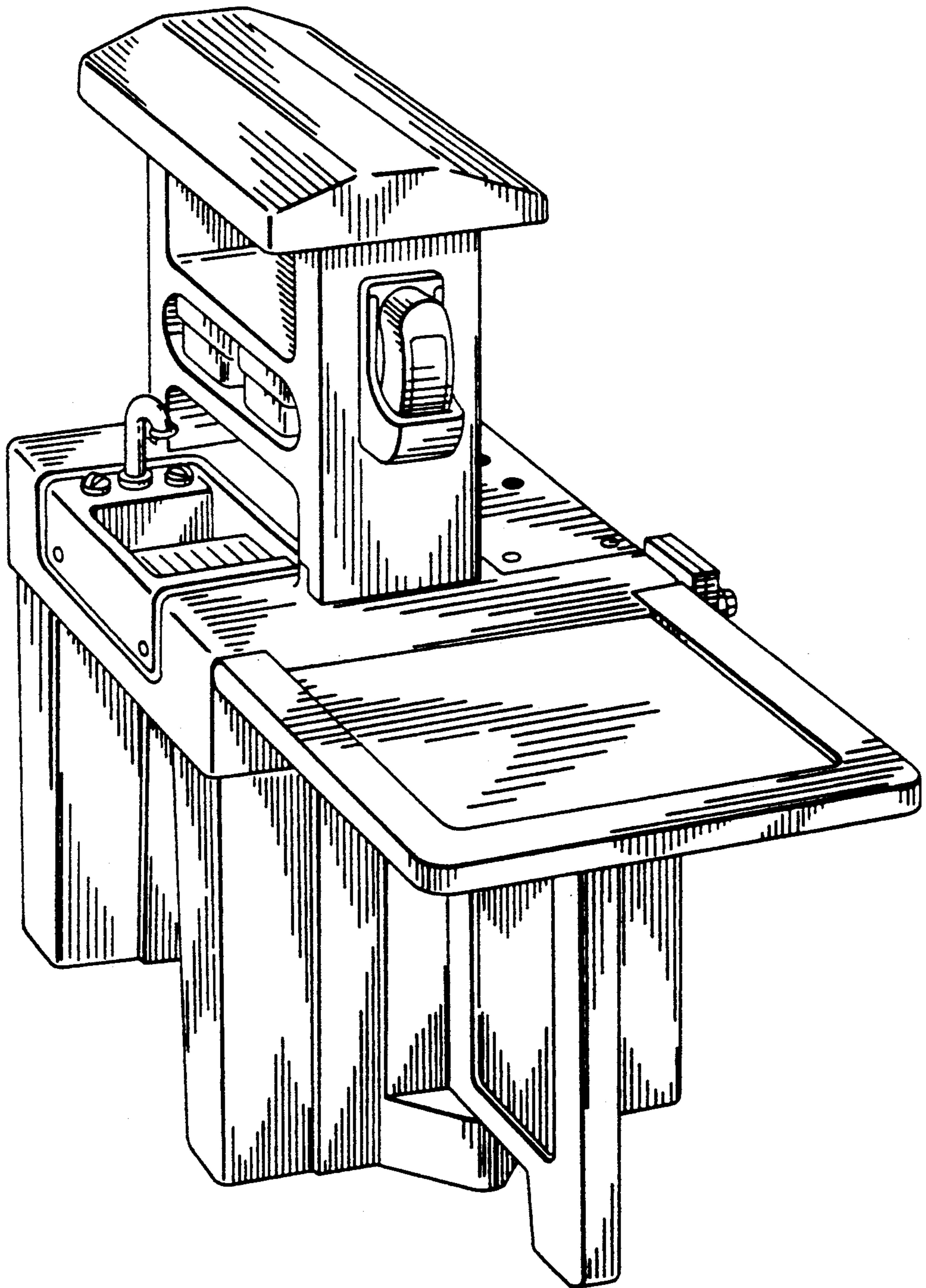


FIG. 4

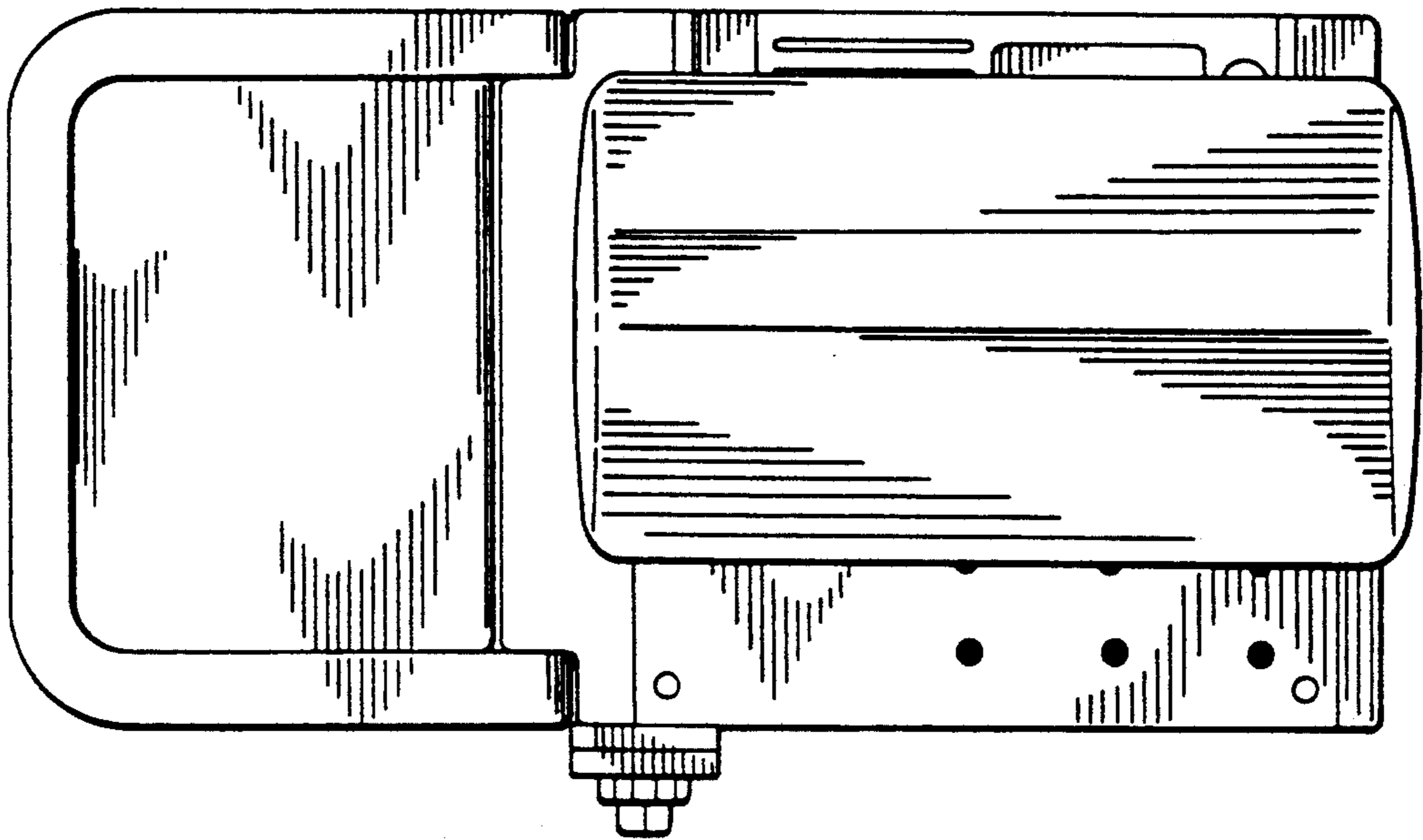


FIG. 5

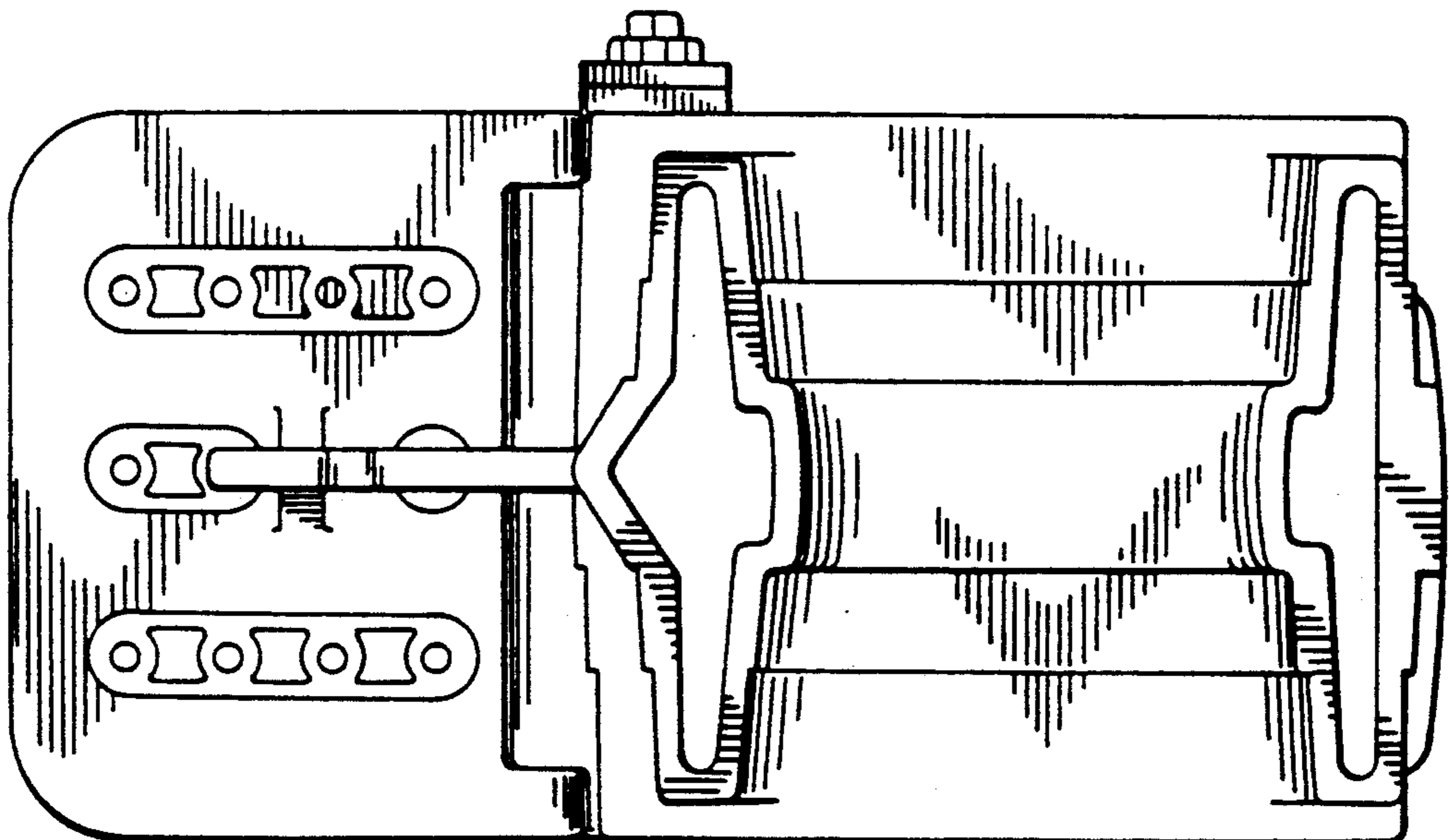


FIG. 6