



US00D332637S

United States Patent [19]

[11] Patent Number: Des. 332,637

Hesse

[45] Date of Patent: ** Jan. 19, 1993

[54] MARKING PEN FOR USE IN MARKING GAME CARDS

3,481,677 12/1969 Abrahamson 401/198
3,627,868 12/1971 Funahashi 401/265
4,382,707 5/1983 Anderka .

[76] Inventor: Mark S. Hesse, 142 Irving St. #1, Everett, Mass. 02149

OTHER PUBLICATIONS

[**] Term: 14 Years

Faymus Pre-Inked Colorstamp Catalog ©1967 p. 13 cross stamp, middle left.

[21] Appl. No.: 580,622

Guernsey Office Products ©1988 p. 567 Classic Black pen, middle right.

[22] Filed: Sep. 11, 1990

Guernsey Office Products ©1988 p. 591 Sanford Label Pen, far right.

[52] U.S. Cl. D21/51; D18/15; D19/43; D19/48; D19/51

Guernsey Office Products ©1988 p. 566 Mont Blanc Pen, top center.

[58] Field of Search D18/14-16; D19/41, 43-51; D21/48, 51; 273/148 R; 401/104, 130, 198, 261, 265-267, DIG. 3

Primary Examiner—Bernard Ansher
Assistant Examiner—Sandra Morris
Attorney, Agent, or Firm—Terry M. Gernstein

[56] References Cited

[57] CLAIM

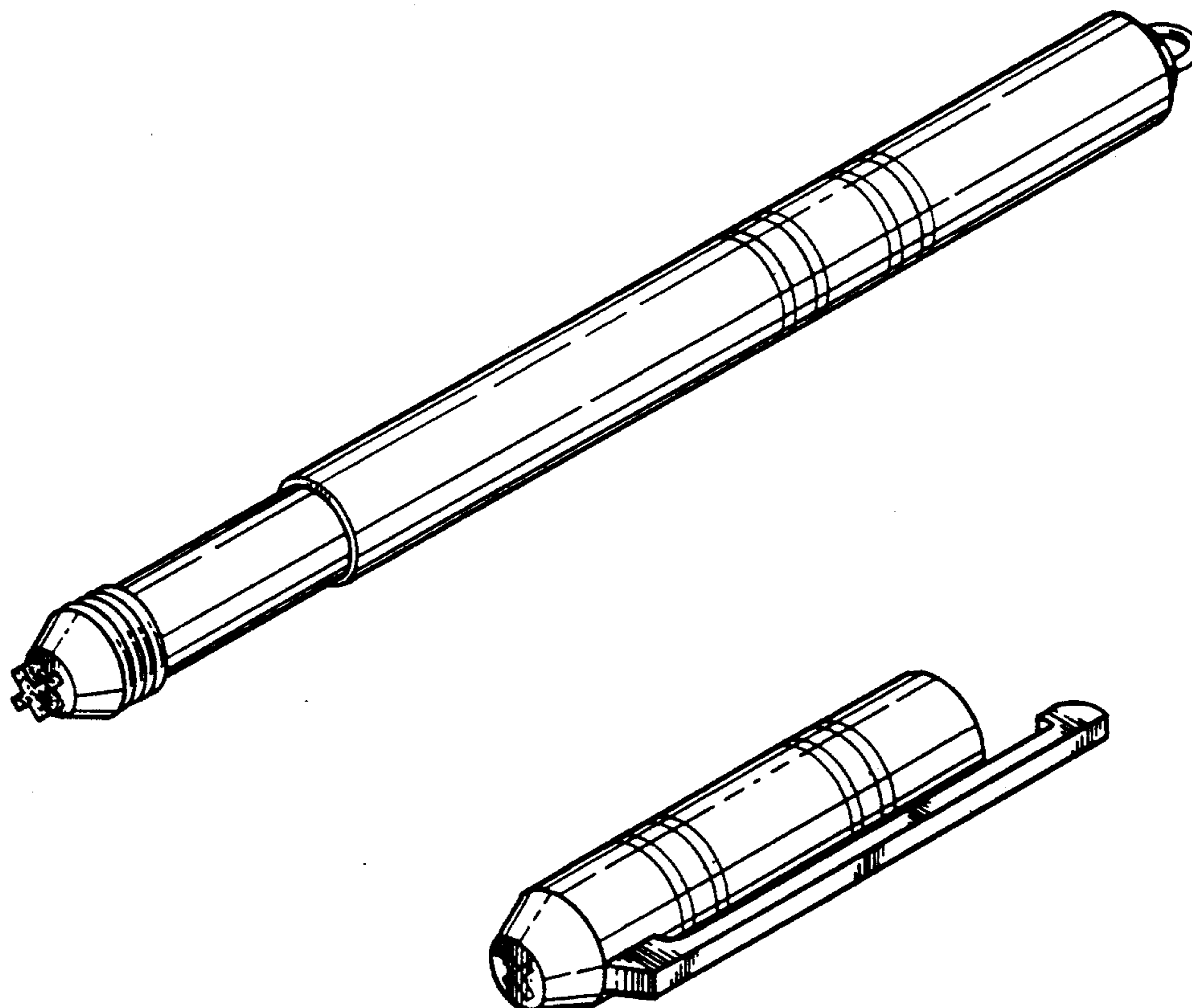
U.S. PATENT DOCUMENTS

| | | | | |
|------------|---------|------------------|-------|---------|
| D. 47,752 | 8/1915 | Hicks | | D19/44 |
| D. 236,752 | 9/1975 | Funahashi | | D18/15 |
| D. 275,297 | 8/1984 | Ohyabu | . | |
| D. 280,643 | 9/1985 | Ichikawa | | D18/15 |
| D. 286,546 | 11/1986 | Funahashi | . | |
| D. 286,791 | 11/1986 | Booker | | D19/48 |
| D. 294,599 | 3/1988 | Funahashi et al. | | D19/48 |
| D. 303,990 | 10/1989 | Petterson | | D19/41 |
| D. 310,249 | 8/1990 | LaLonde | | D19/51 |
| D. 316,880 | 5/1991 | Conlan | | D19/51 |
| D. 323,529 | 1/1992 | Rousseau | | D19/43 |
| 2,549,227 | 4/1951 | Ostrander | | 401/198 |
| 3,088,160 | 5/1963 | Cline | | 401/198 |

The ornamental design for a marking pen for use in marking game cards, as shown and described.

DESCRIPTION

FIG. 1 is a perspective view of a marking pen for use in marking game cards, showing my new design; FIG. 2 is an exploded perspective view thereof; FIG. 3 is a front elevational view thereof; FIG. 4 is a left side elevational view thereof; FIG. 5 is a rear elevational view thereof; FIG. 6 is a bottom plan view thereof; and, FIG. 7 is a top plan view thereof.



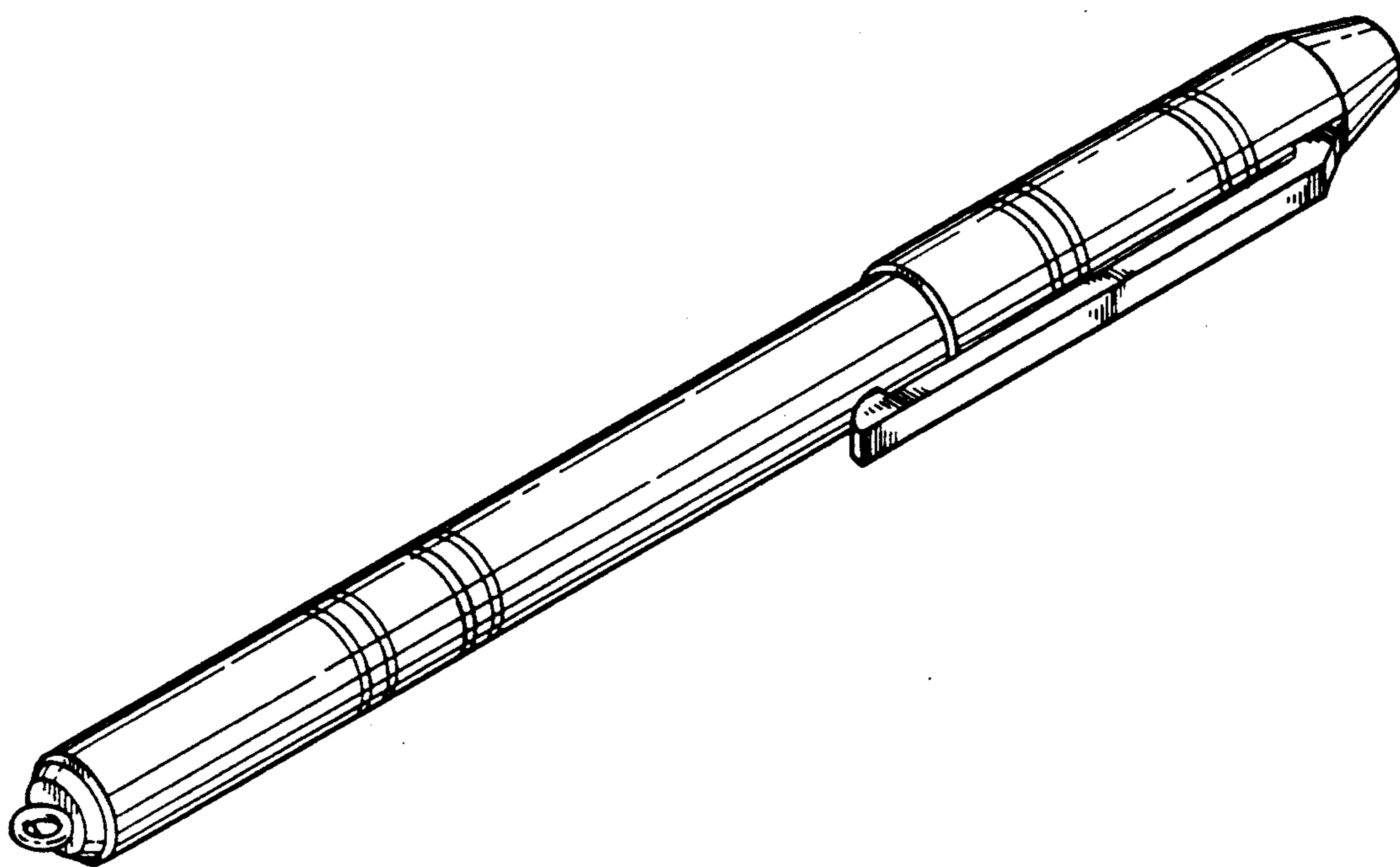
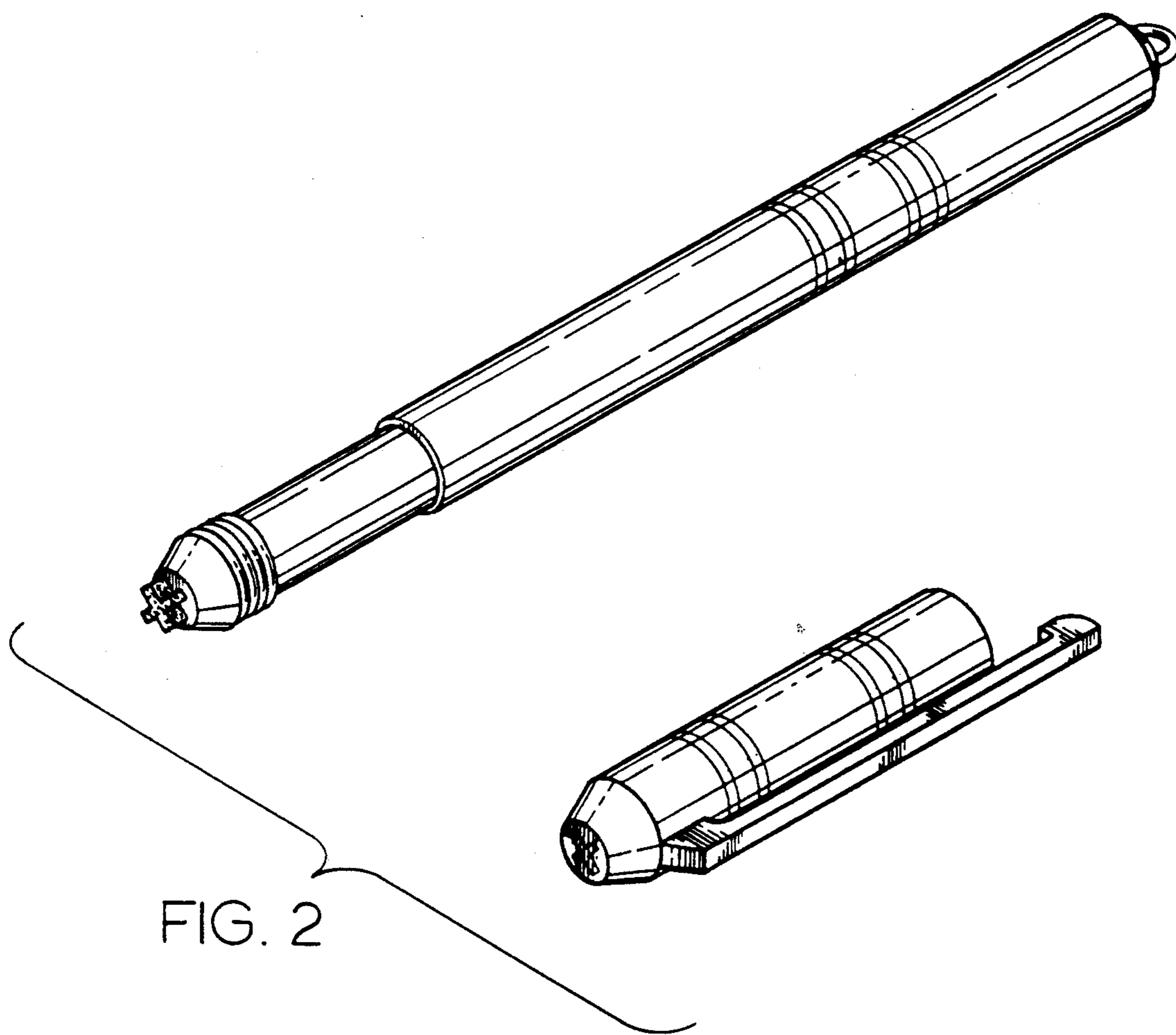


FIG. 1



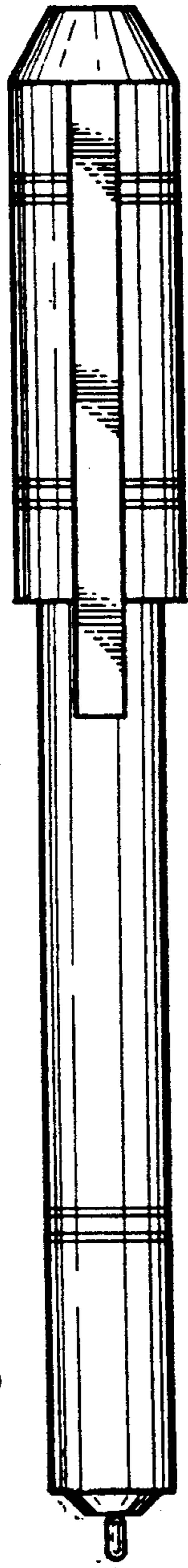


FIG. 3

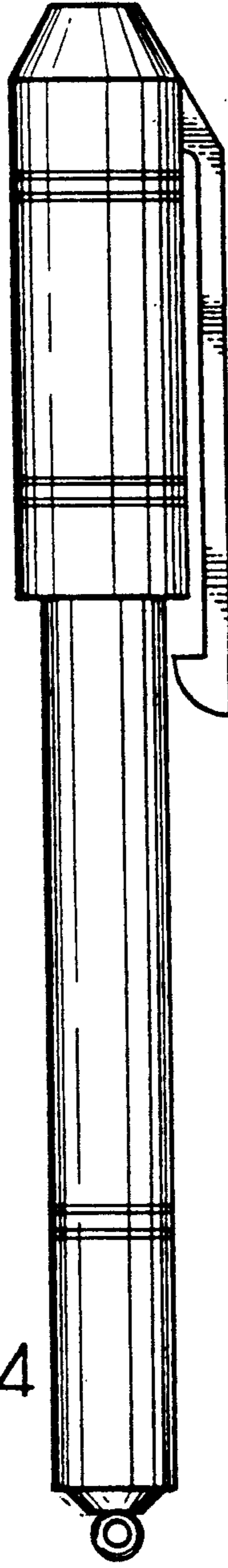


FIG. 4

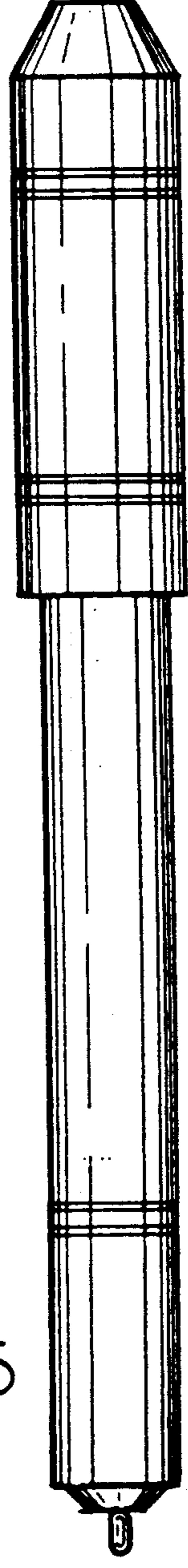


FIG. 5

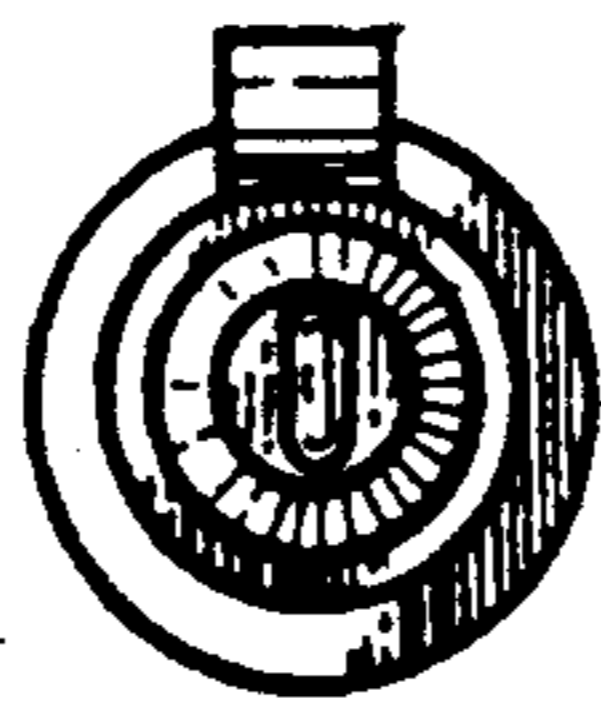


FIG. 6

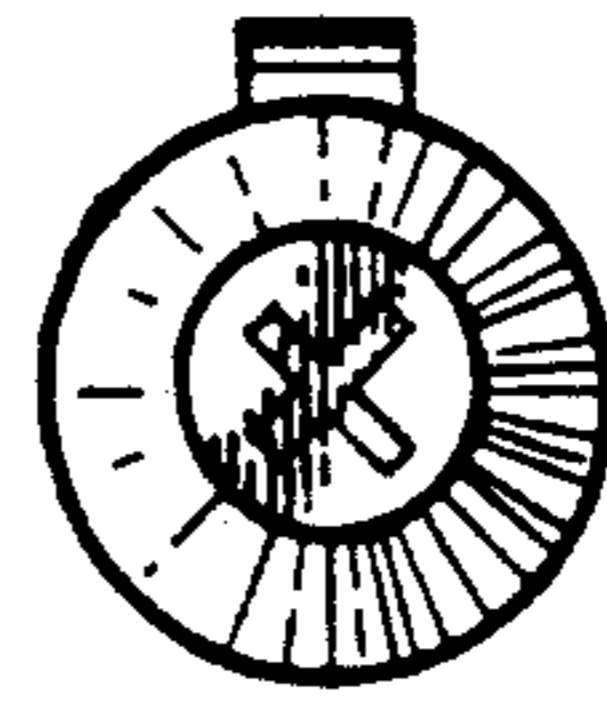


FIG. 7