



US00D332633S

United States Patent [19]

[11] Patent Number: **Des. 332,633**

Kojima

[45] Date of Patent: **** Jan. 19, 1993**

[54] **ELECTRONIC GAME HOUSING**

5,046,739 9/1991 Reichow 273/148 B

[75] Inventor: **Shizuka Kojima, Tokyo, Japan**

OTHER PUBLICATIONS

[73] Assignee: **Tomy Company, Ltd., Tokyo, Japan**

Hong Kong Enterprise, Aug. 1980, p. 29, Electronic Quarterback.

[**] Term: **14 Years**

Hong Kong Enterprise Apr. 1984, p. 45, top of the page.

[21] Appl. No.: **738,297**

Primary Examiner—Bernard Ansher

[22] Filed: **Jul. 31, 1991**

Assistant Examiner—Prabhakar Deshmukh

Attorney, Agent, or Firm—Staas & Halsey

[30] Foreign Application Priority Data

Feb. 1, 1991 [JP] Japan 3-2513

[52] U.S. Cl. **D21/13**

[58] Field of Search D21/13, 48; 273/148 B, 273/434, 438, DIG. 28; D14/106

[57] CLAIM

The ornamental design for an electronic game housing, as shown and described.

[56] References Cited

U.S. PATENT DOCUMENTS

- D. 261,779 11/1981 Lovejoy D21/13
- D. 261,907 11/1981 Ho D21/13
- D. 310,390 9/1990 Besasie D21/13
- D. 318,884 8/1991 Kojo D21/13

DESCRIPTION

FIG. 1 is a front elevational view of an electronic game housing showing my new design;
 FIG. 2 is a rear elevational view thereof;
 FIG. 3 is a left side elevational view thereof;
 FIG. 4 is a right side elevational view thereof;
 FIG. 5 is a top plan view thereof; and,
 FIG. 6 is a bottom plan view thereof.

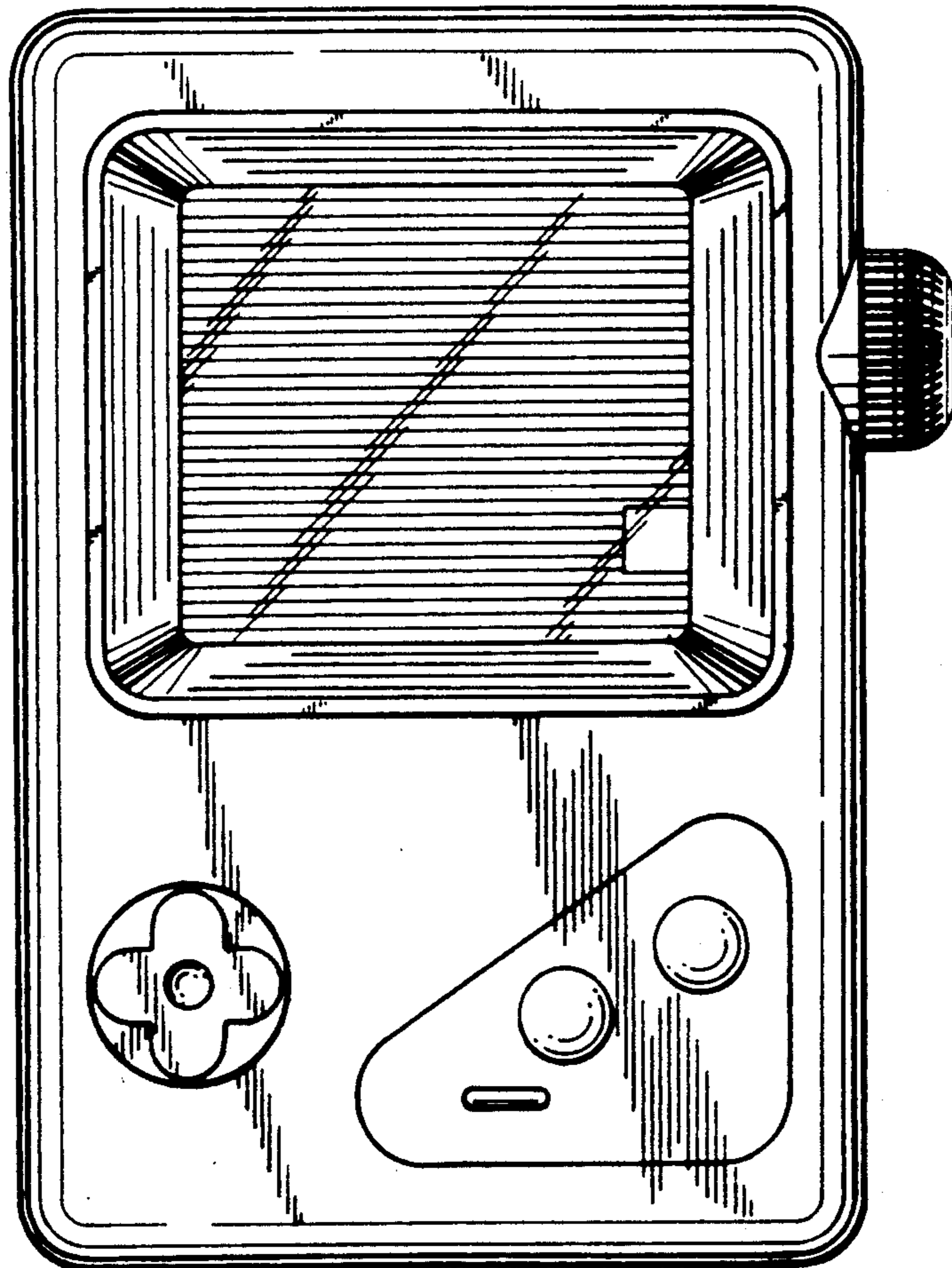


FIG. 2

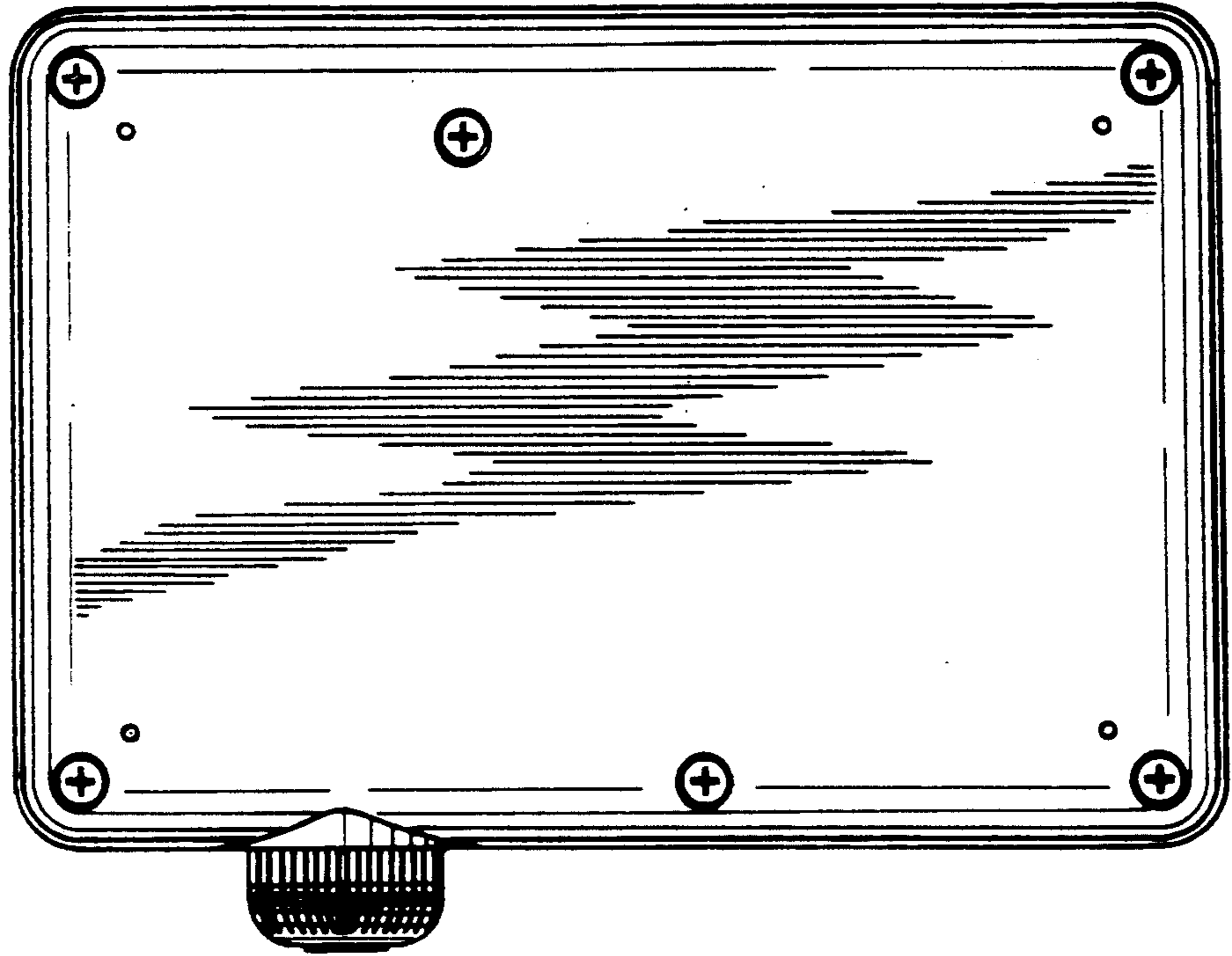


FIG. 1

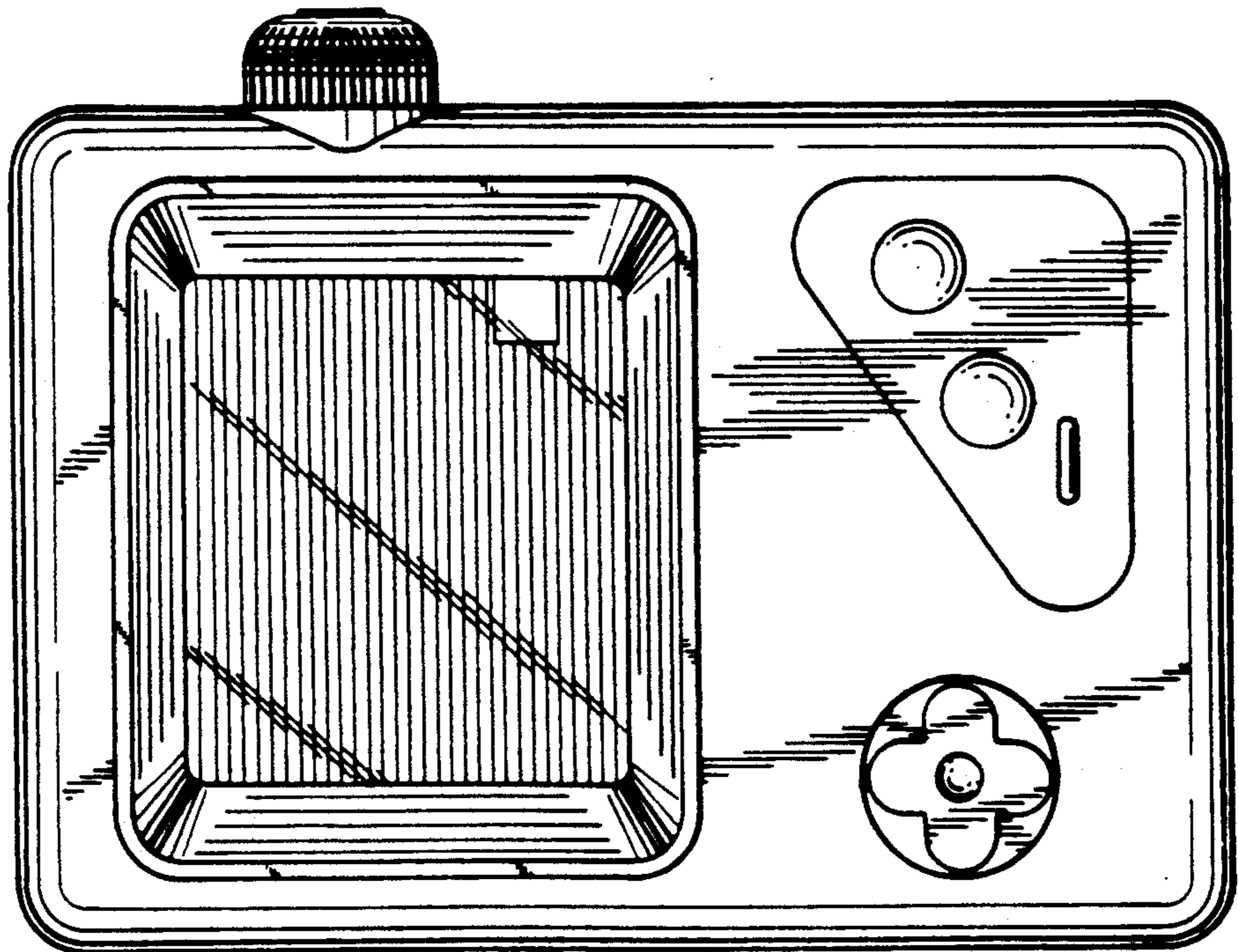


FIG. 3

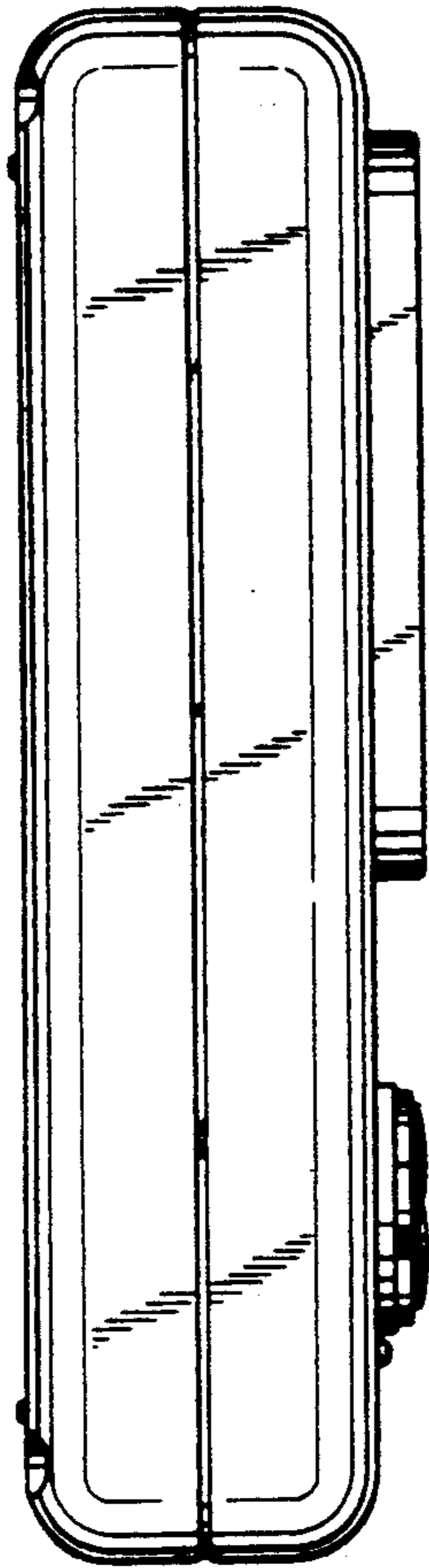


FIG. 4

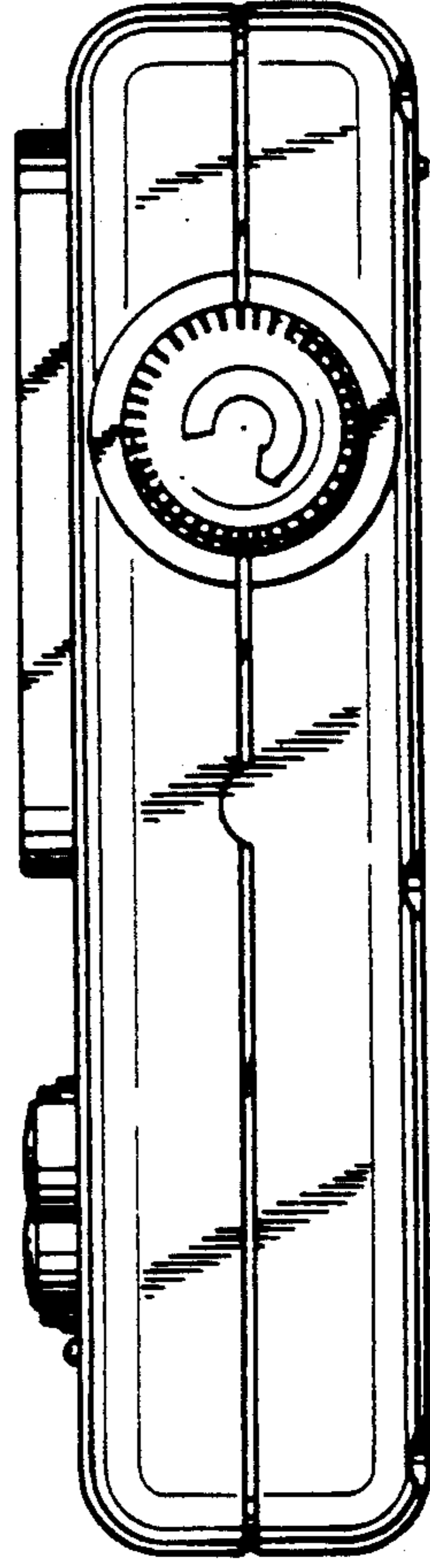


FIG. 5

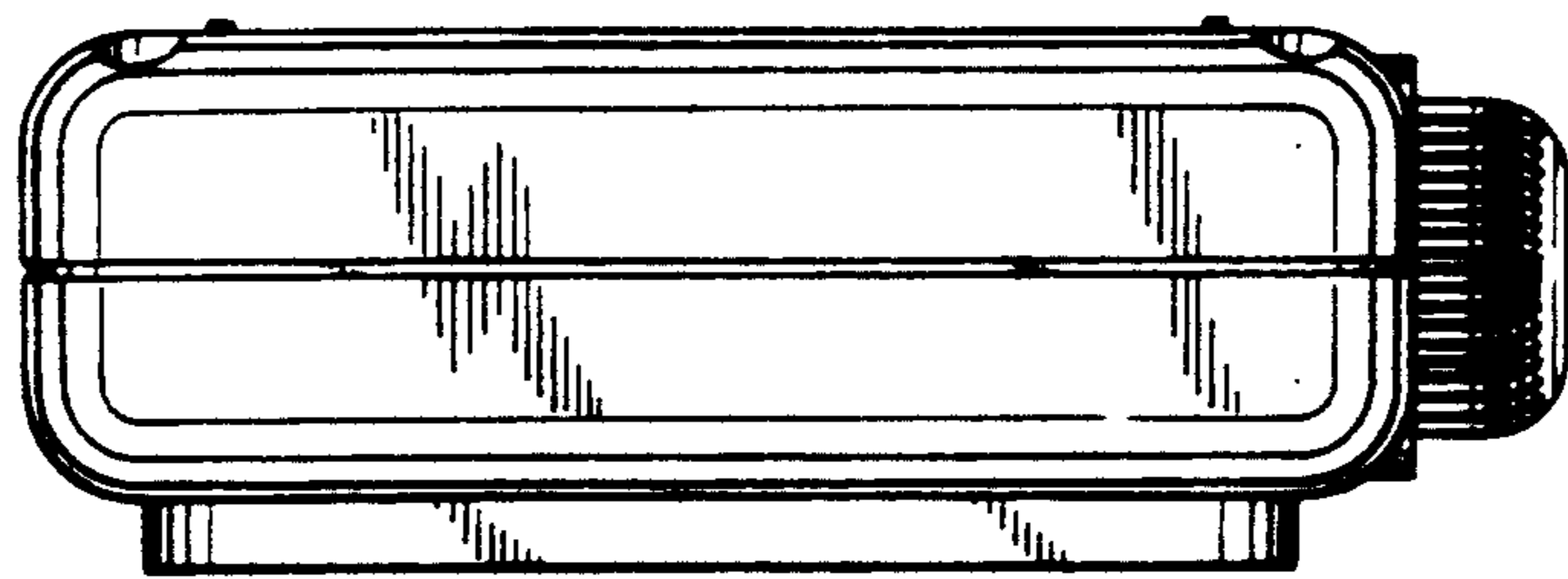


FIG. 6

