



US00D332622S

United States Patent [19]

[11] Patent Number: Des. 332,622

Yoshida

[45] Date of Patent: ** Jan. 19, 1993

[54] **PRINTER**

[75] Inventor: **Kazuo Yoshida**, Tokyo, Japan

[73] Assignee: **Oki Electric Industry Co., Ltd.**, Tokyo, Japan

[**] Term: **14 Years**

[21] Appl. No.: **635,320**

[22] Filed: **Dec. 28, 1990**

D. 321,363 11/1991 Hirose et al. D18/54
D. 321,530 11/1991 Takeda et al. D18/54

Primary Examiner—A. Hugo Word
Assistant Examiner—Cathy Anne MacCormac
Attorney, Agent, or Firm—Wenderoth, Lind & Ponack

[57] CLAIM

The ornamental design for a printer, as shown and described.

DESCRIPTION

FIG. 1 is a front and right perspective view of a printer showing my new design;
FIG. 2 is a front elevational view thereof;
FIG. 3 is a top plan view thereof;
FIG. 4 is a rear elevational view thereof;
FIG. 5 is a bottom plan view thereof;
FIG. 6 is a right side elevational view thereof;
FIG. 7 is a left side elevational view thereof;
FIG. 8 is a sectional view taken on line VIII—VIII of FIG. 2 with the interior construction omitted;
FIG. 9 is another perspective view thereof;
FIG. 10 is a front top and right side perspective view of a second embodiment of FIG. 1;
FIG. 11 is a front elevational view thereof;
FIG. 12 is a top plan view thereof;
FIG. 13 is a rear elevational view thereof;
FIG. 14 is a bottom plan view thereof;
FIG. 15 is a left side elevational view thereof;
FIG. 16 is a right side elevational view thereof;
FIG. 17 is a sectional view taken on line XVII—XVII of FIG. 11 with the interior construction omitted; and
FIG. 18 is another perspective view thereof.
The broken lines in FIGS. 9 and 18 are for illustrative purposes only and form no part of the claimed design.

Related U.S. Application Data

[63] Continuation-in-part of Ser. No. 166,310, Mar. 10, 1988, abandoned, and a continuation-in-part of Ser. No. 317,667, Mar. 1, 1989, abandoned.

[30] Foreign Application Priority Data

Sep. 14, 1987 [JP] Japan 62-37242
Sep. 6, 1988 [JP] Japan 63-34932

[52] U.S. Cl. **D18/55**

[58] Field of Search D18/50, 54-55,
D18/36-37; 400/691-694, 613, 613.1-613.4,
624

[56] References Cited

U.S. PATENT DOCUMENTS

D. 276.725 12/1984 Izaki D18/54
D. 283.824 5/1986 Takada D18/54
D. 286,291 10/1986 Kuroki D18/54
D. 293,681 1/1988 Yamada D18/54
D. 294,704 3/1988 Kuroki D18/55
D. 296,101 6/1988 Hidaka et al. D18/54
D. 301,484 6/1989 Yoshida D18/54
D. 312,475 11/1990 Yoshida D18/54
D. 316,870 5/1991 Sugawara et al. D18/54

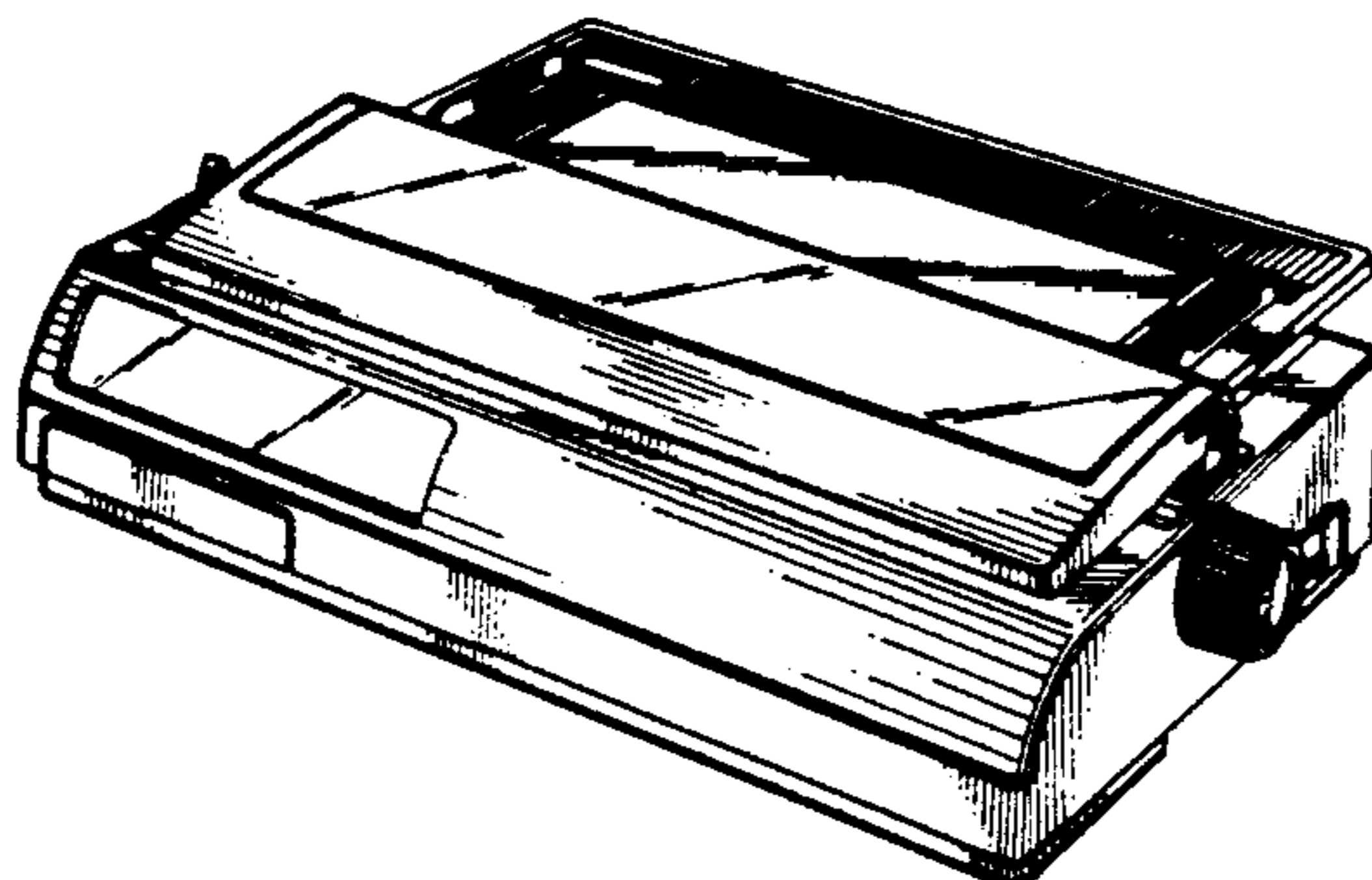
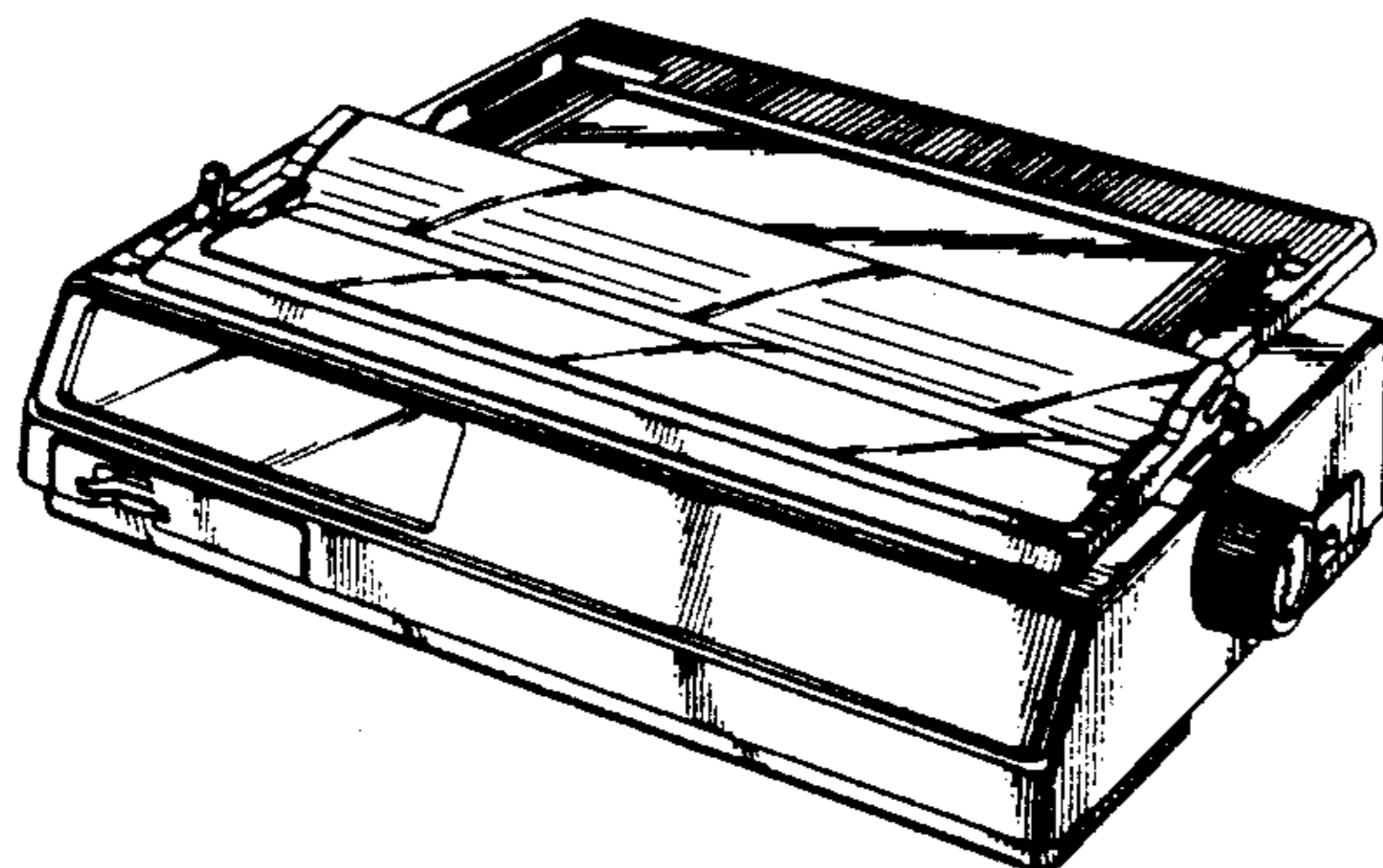


Fig. 1

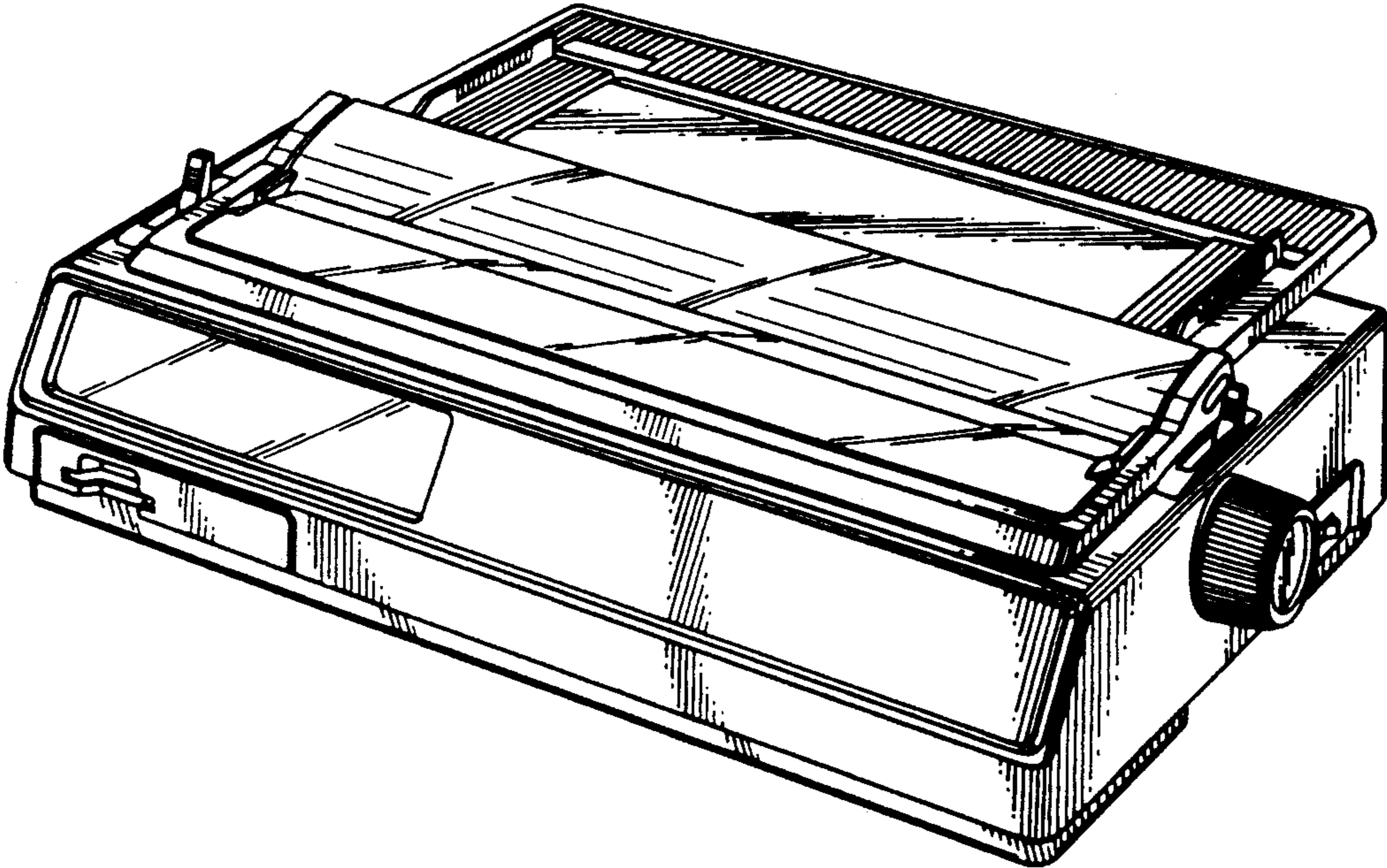


Fig. 2

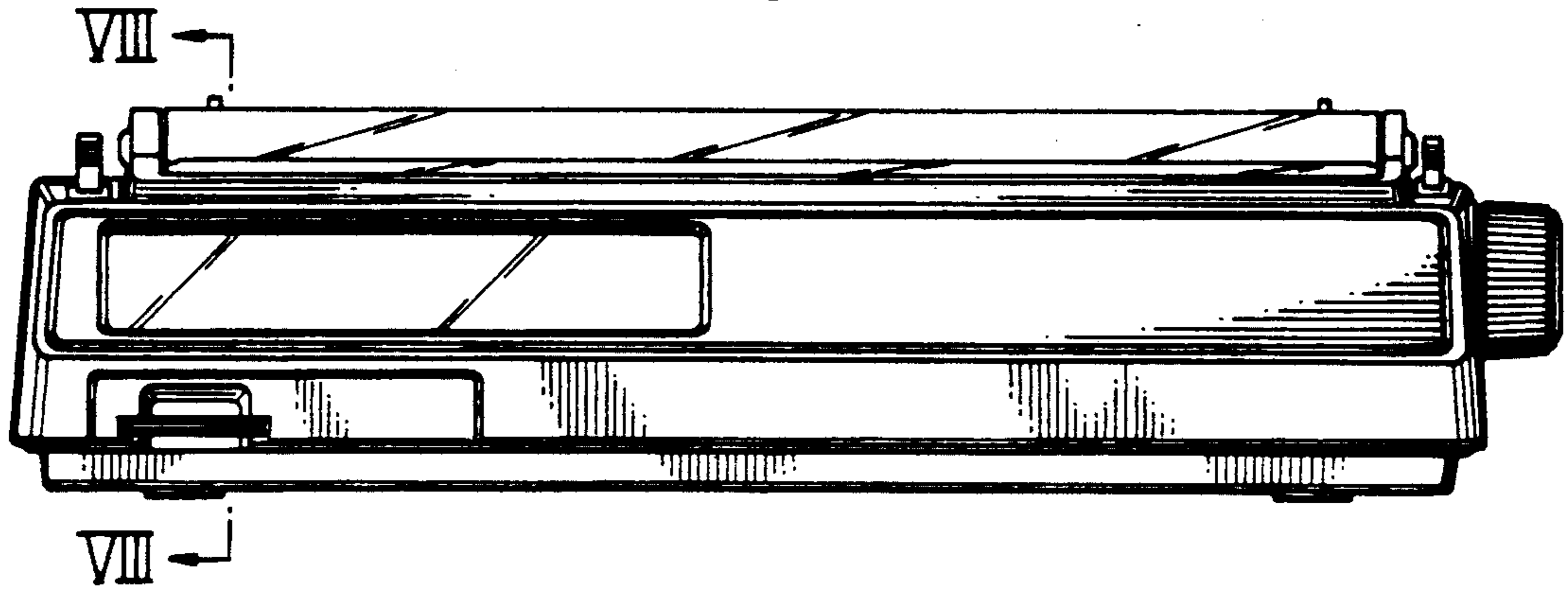


Fig. 3

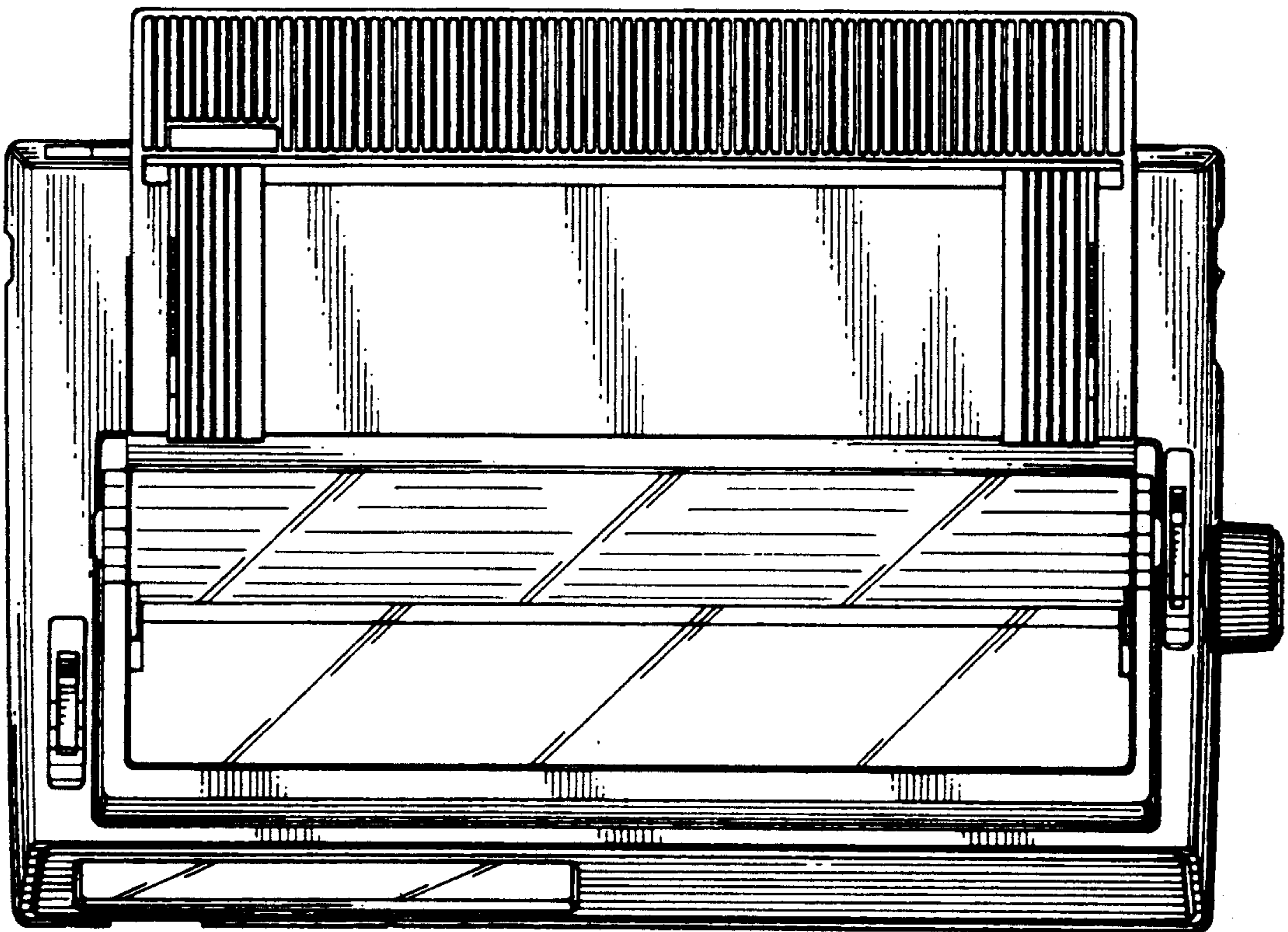


Fig. 4

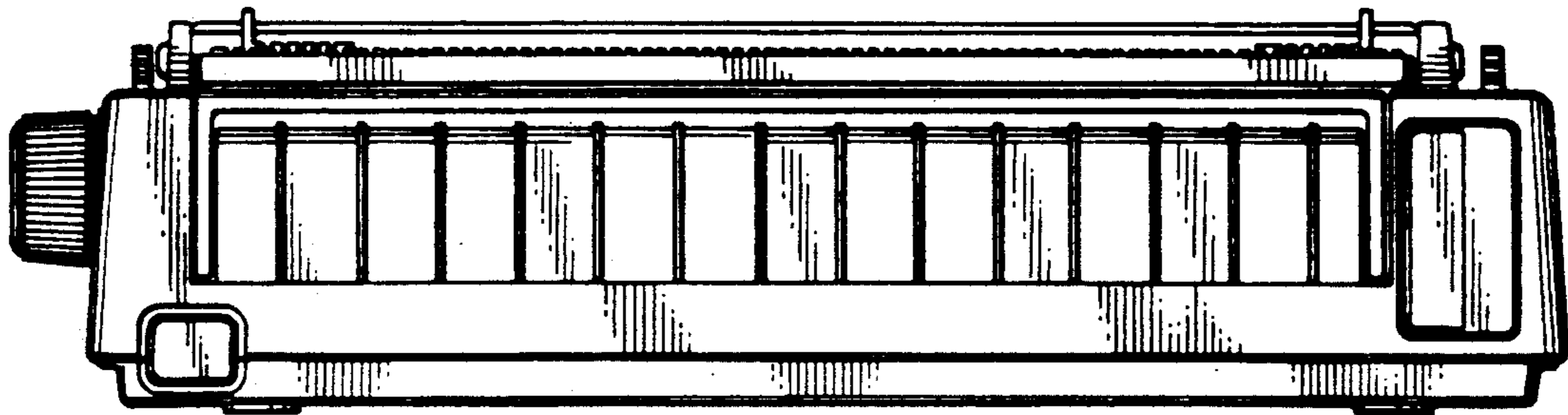


Fig. 5

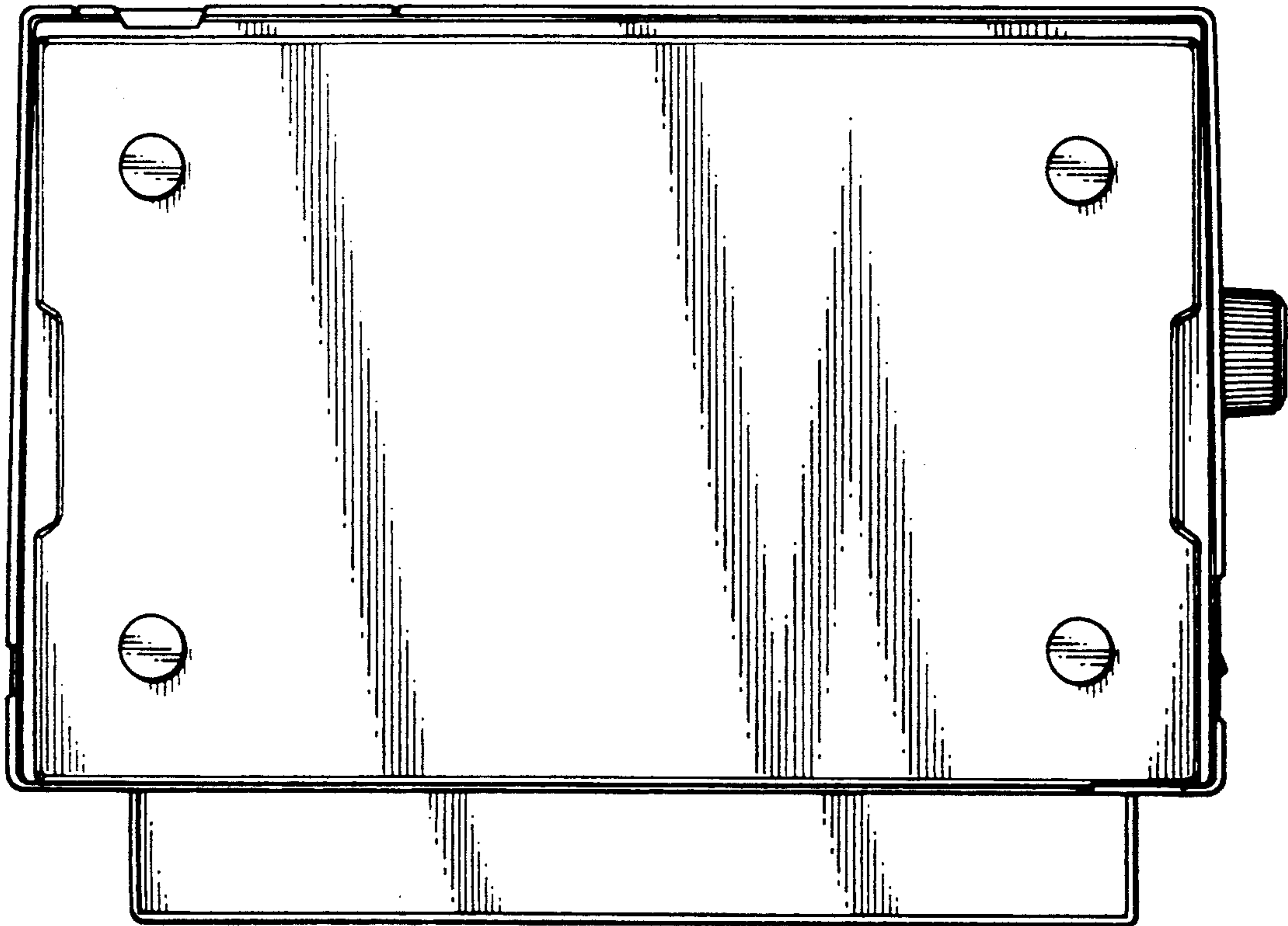


Fig. 6

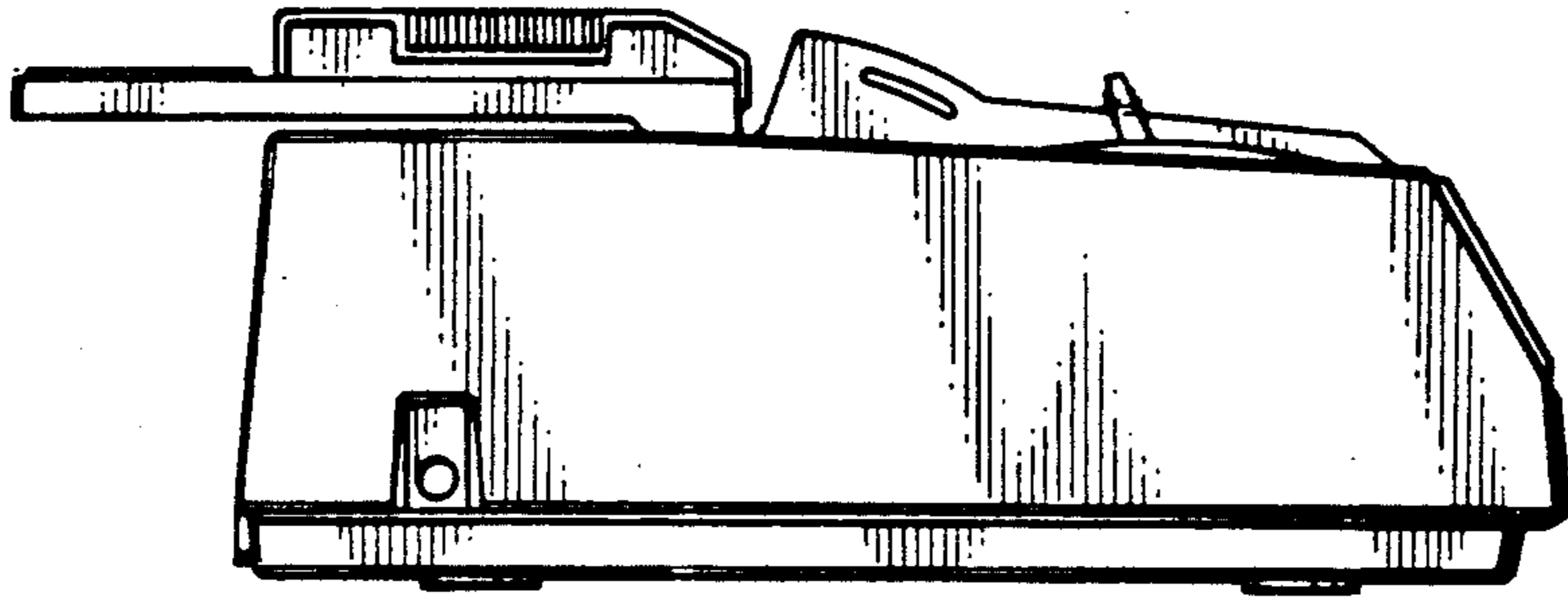


Fig. 7

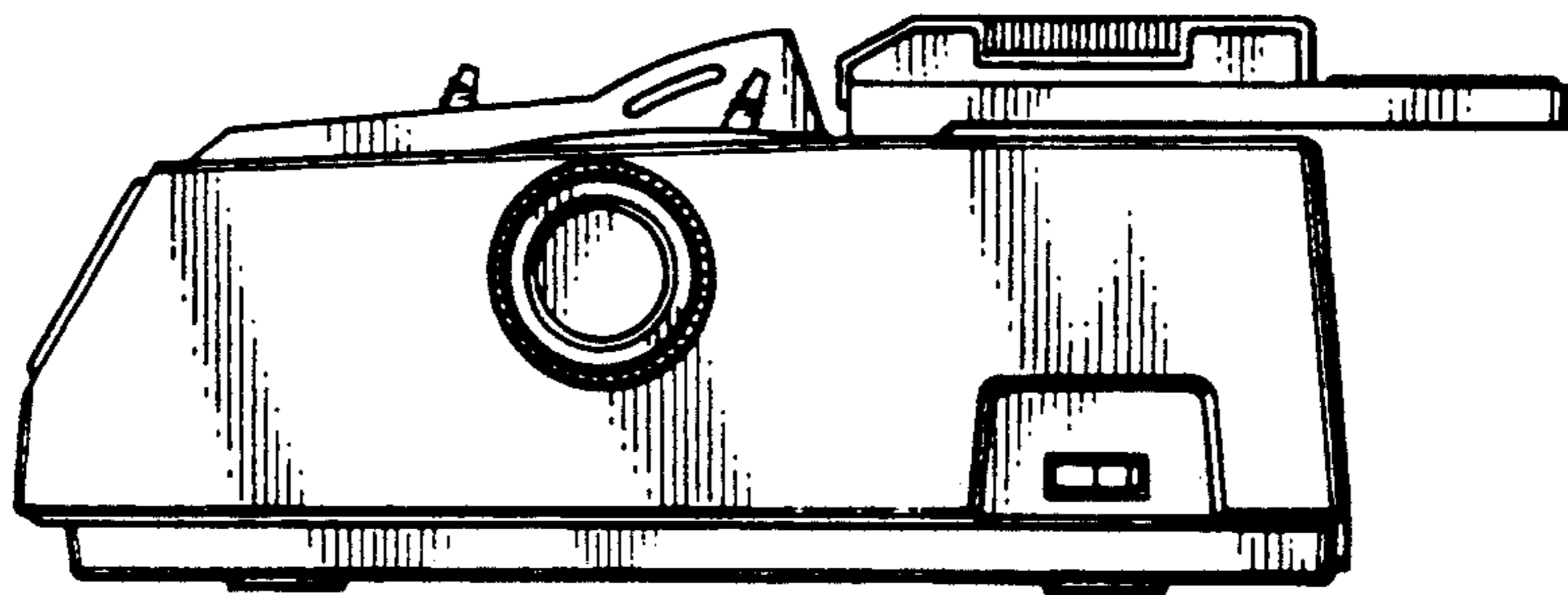


Fig. 8

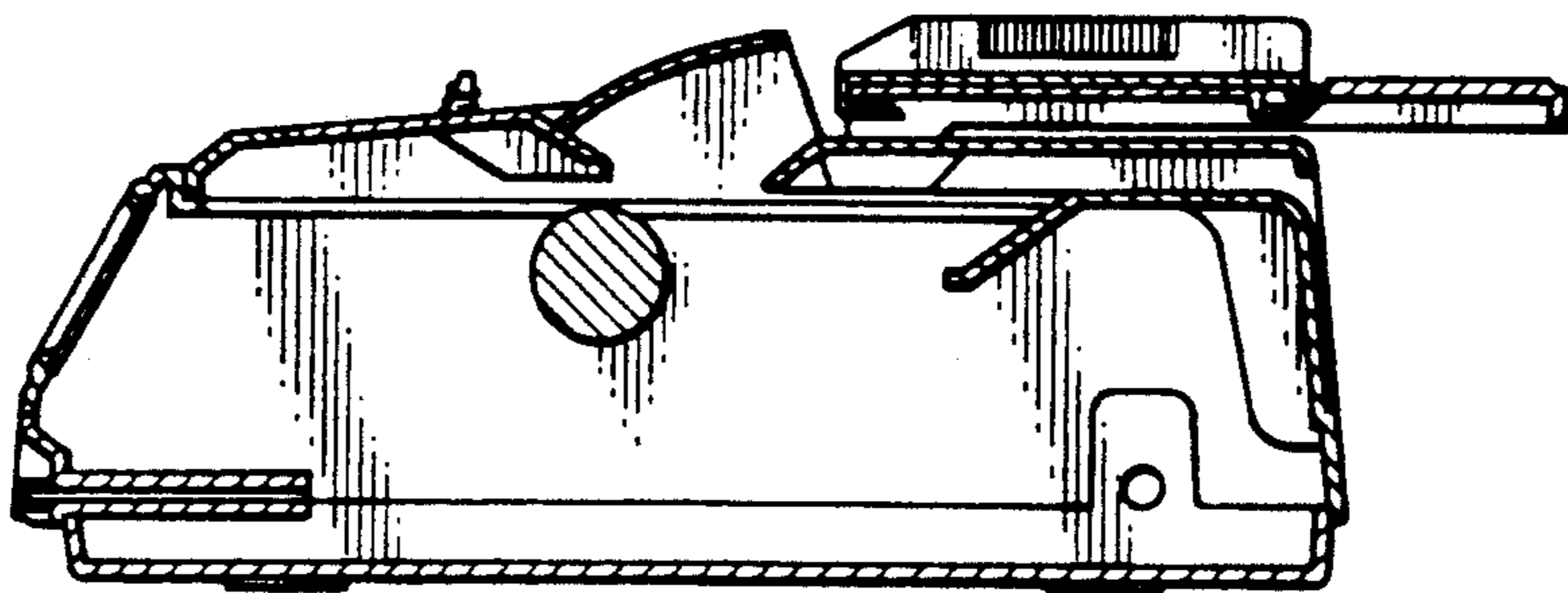


Fig. 9

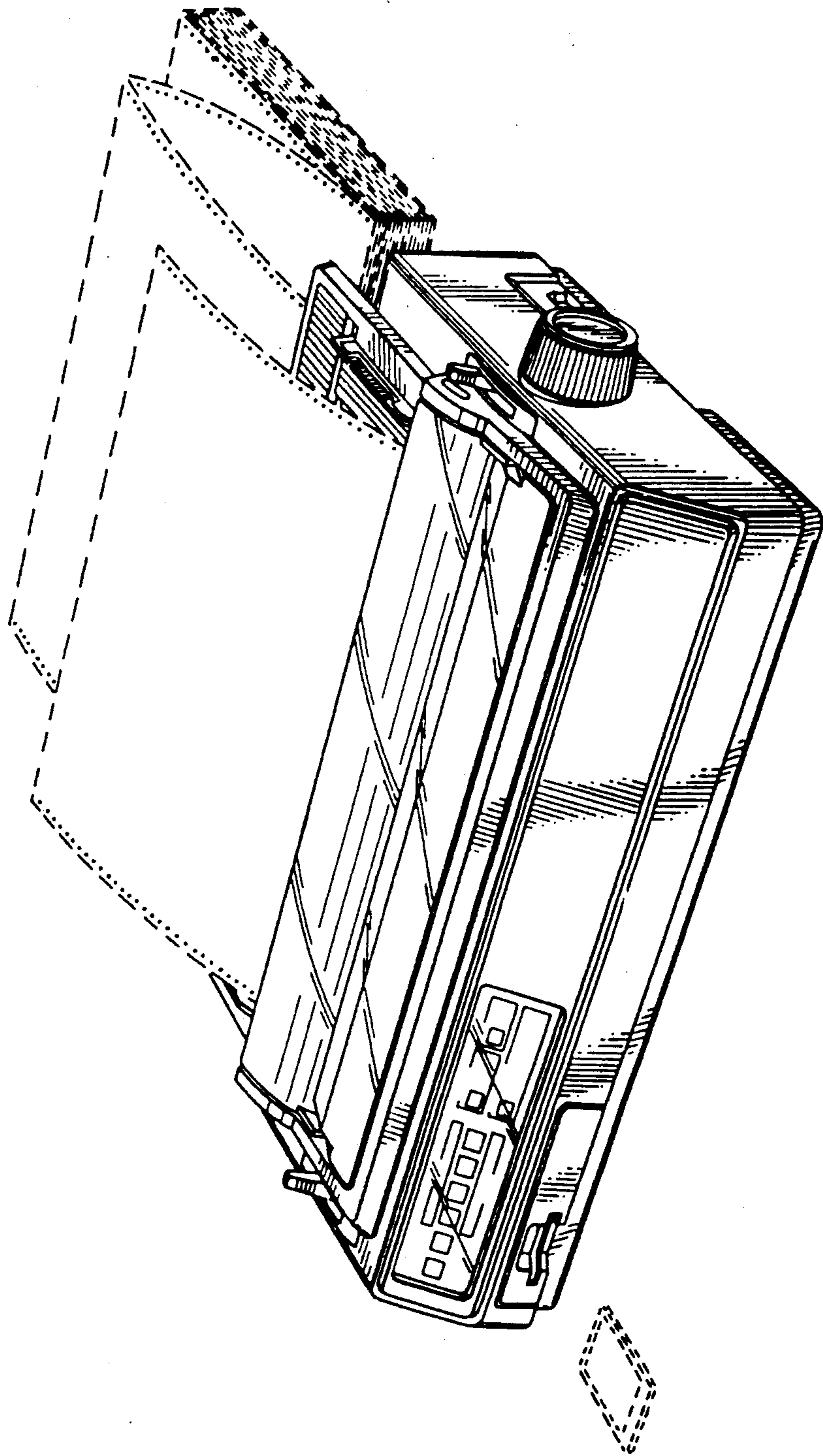


Fig. 10

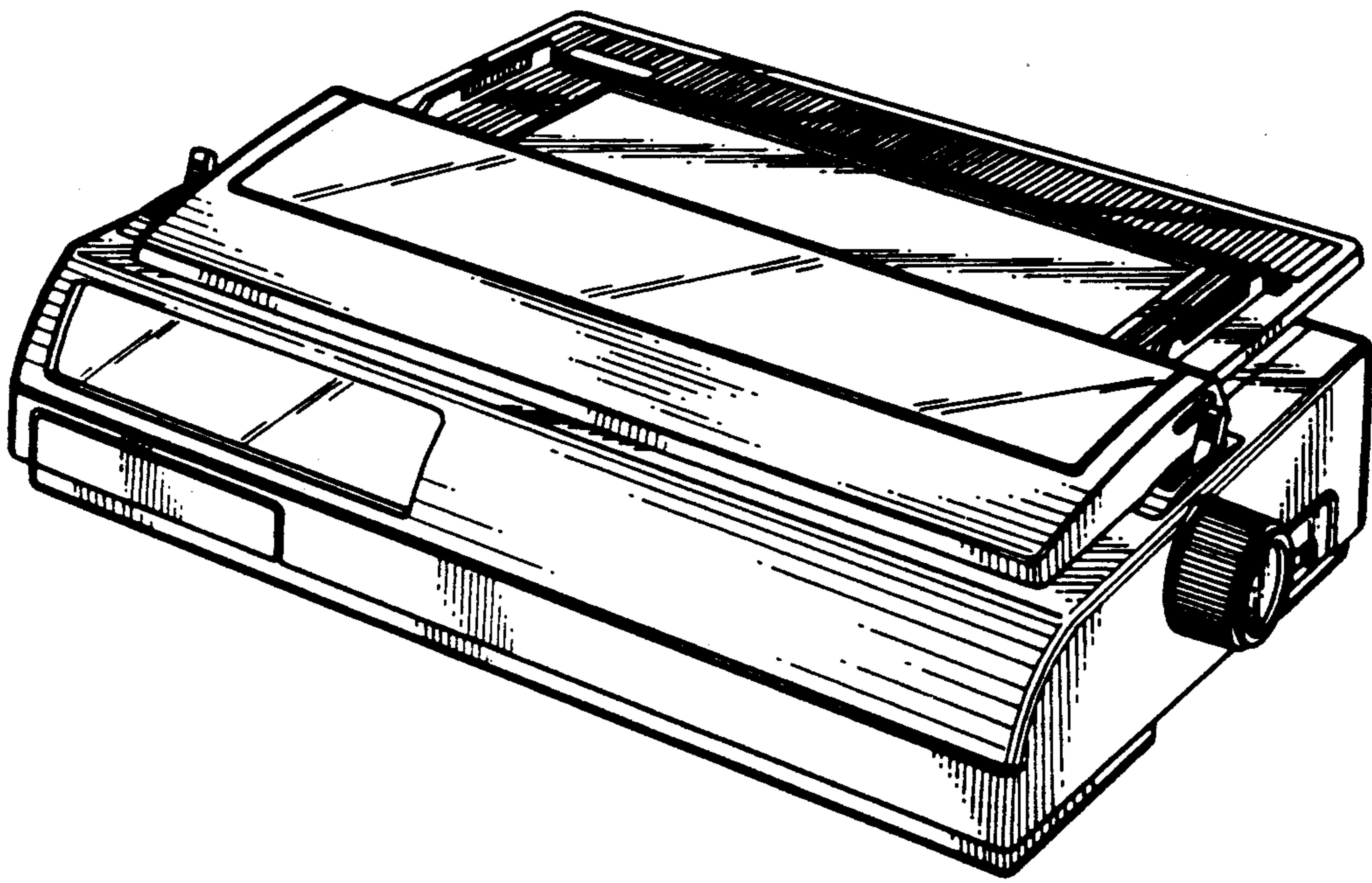


Fig. 11

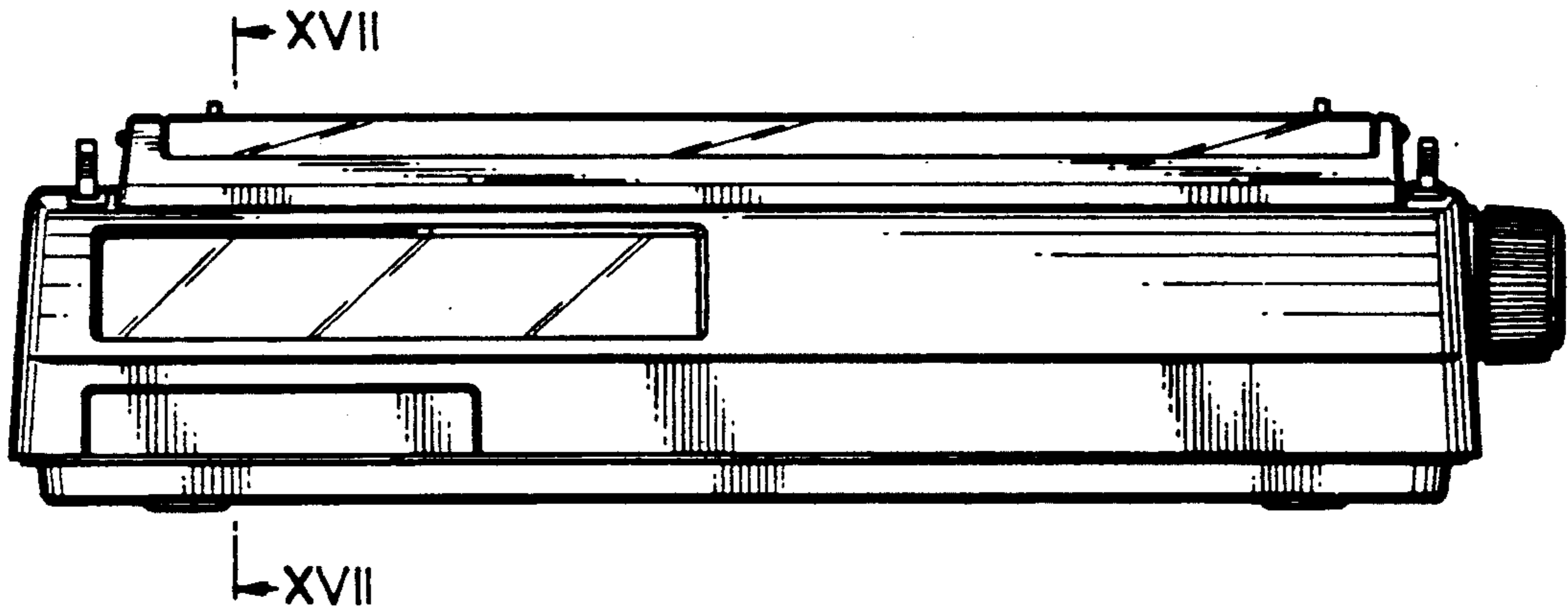


Fig. 12

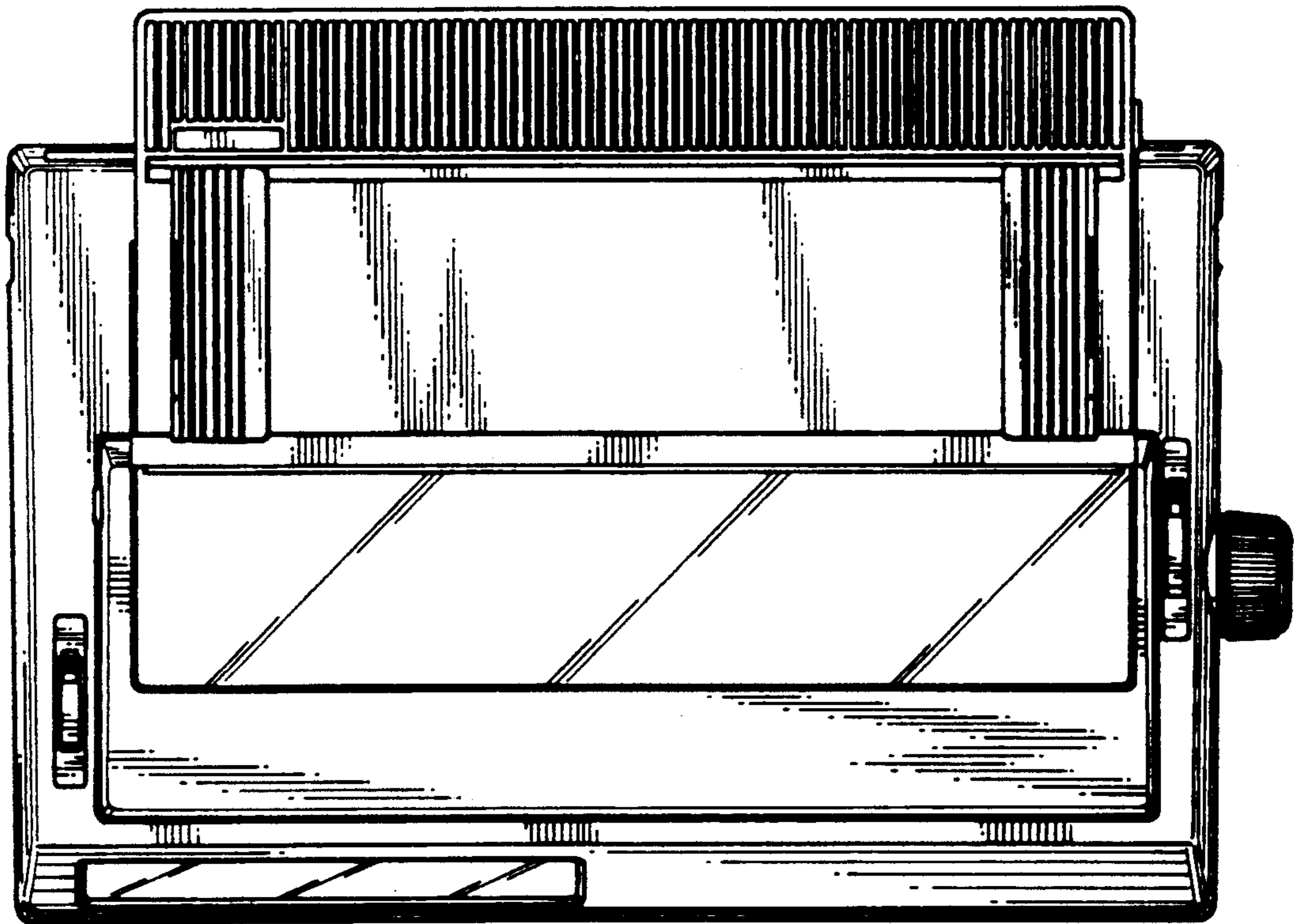


Fig. 13

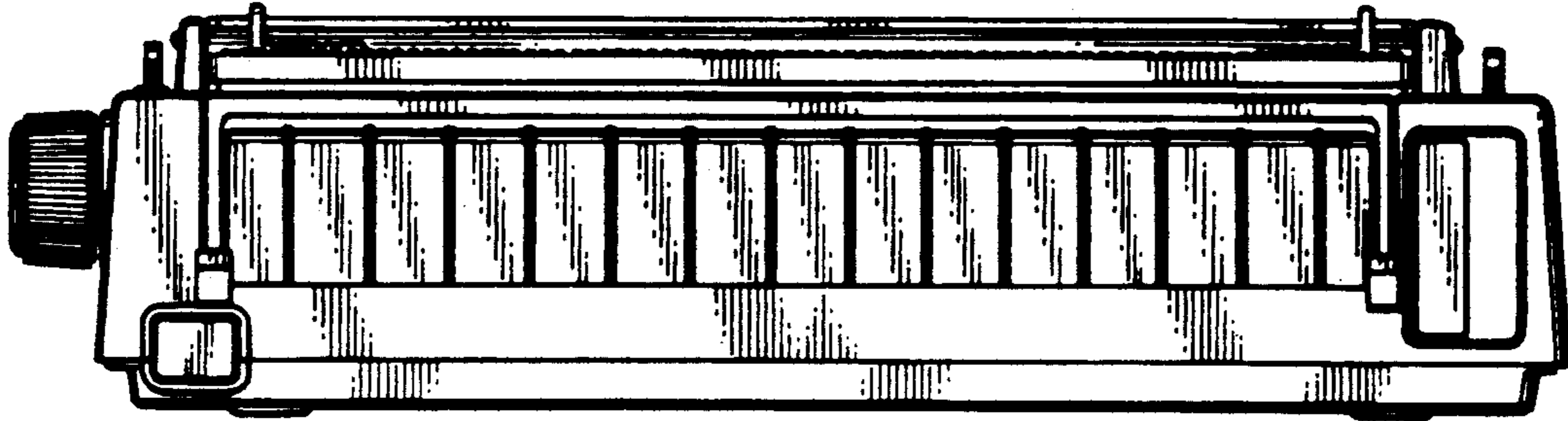


Fig. 14

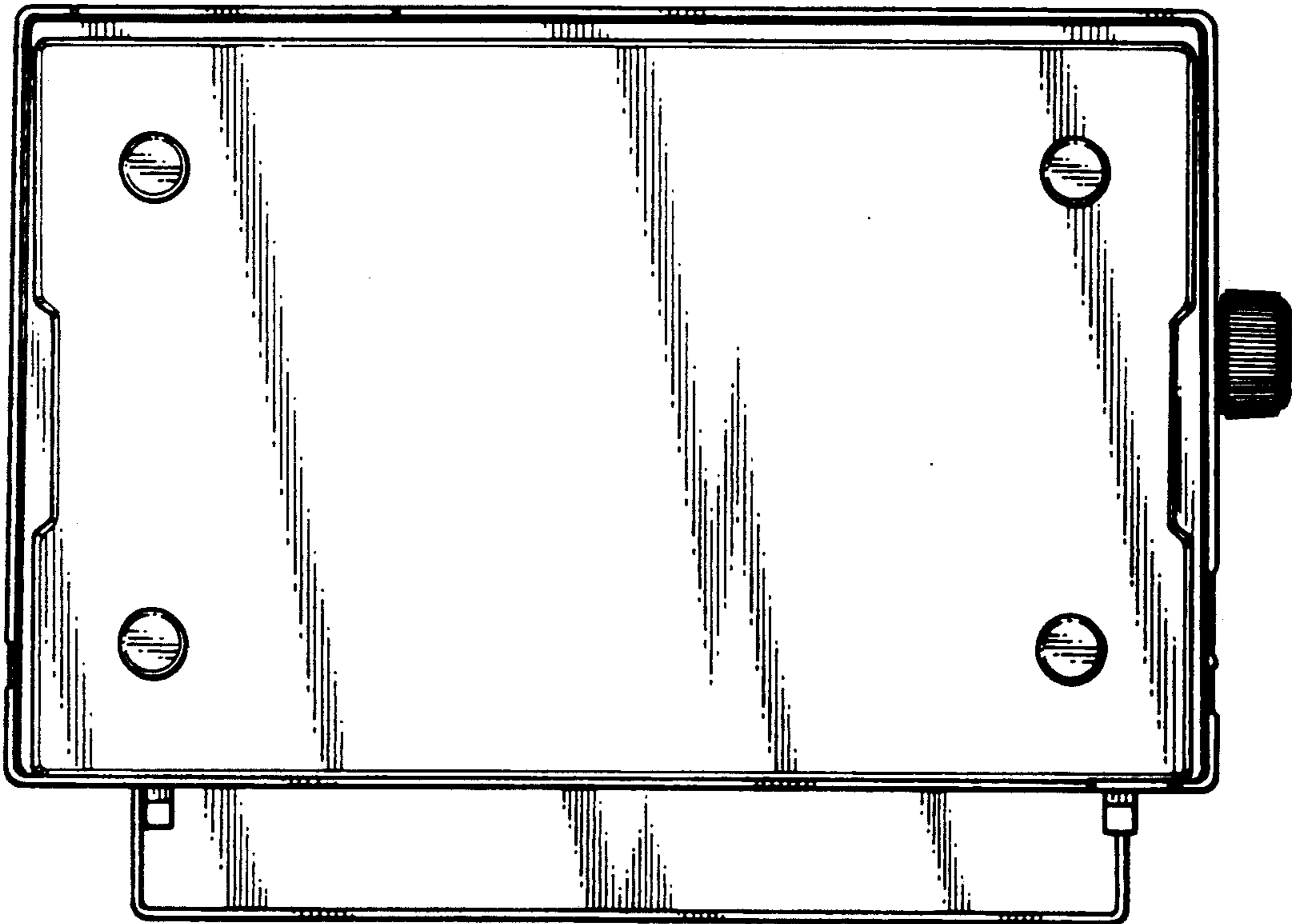


Fig. 15

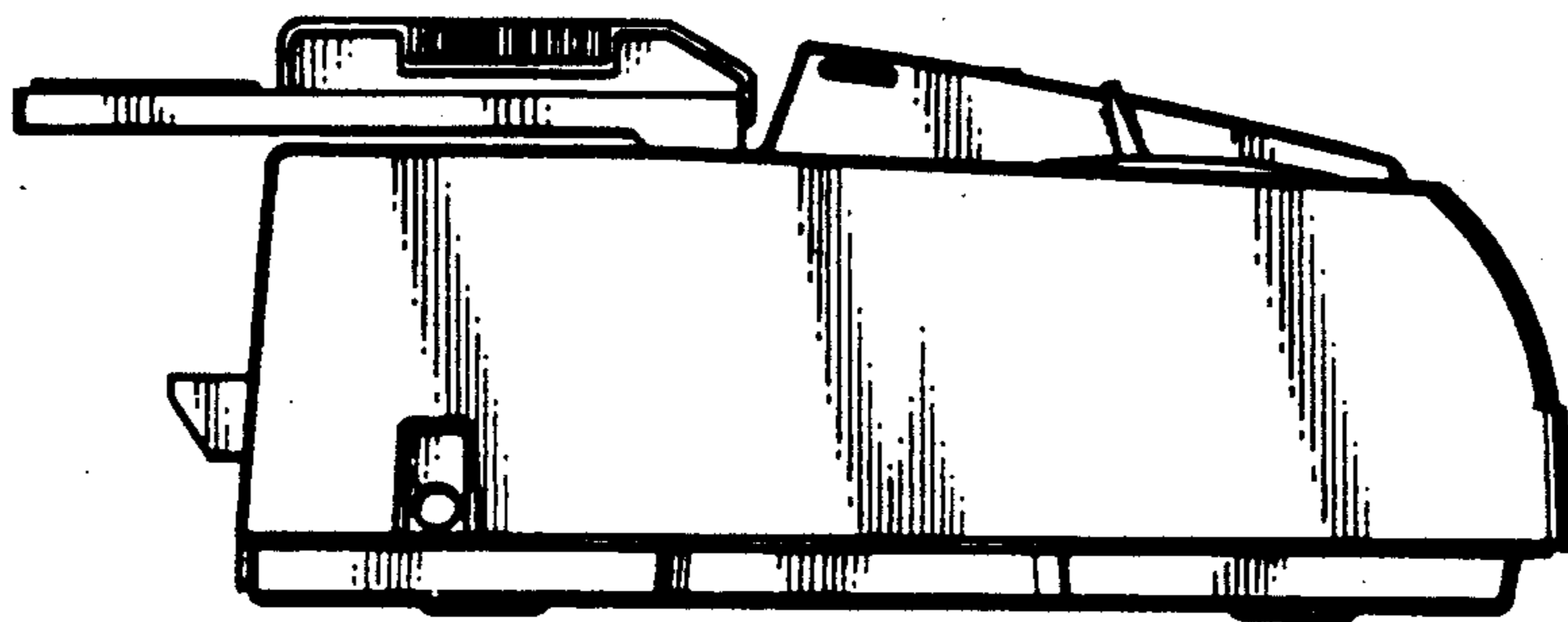


Fig. 16

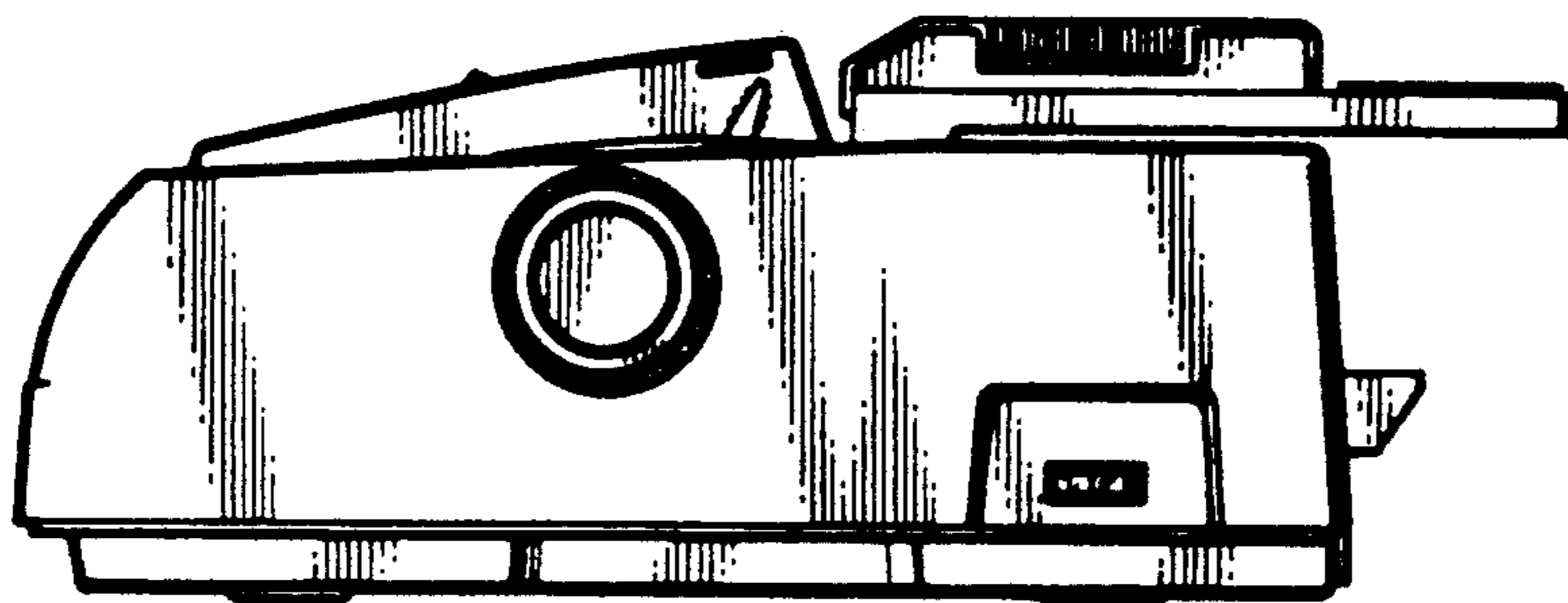


Fig. 17

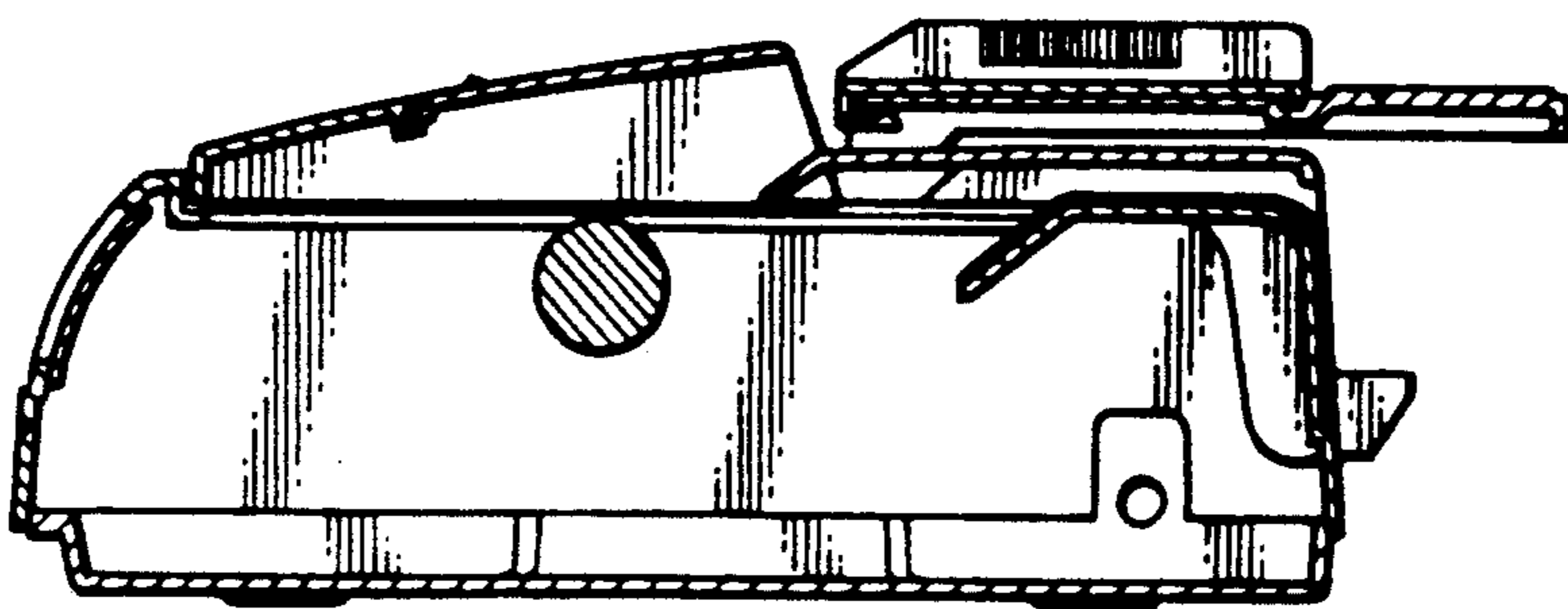


Fig. 18

