



US00D332621S

# United States Patent [19] Sugawara

[11] Patent Number: **Des. 332,621**  
[45] Date of Patent: **\*\* Jan. 19, 1993**

[54] **PRINTER**  
[75] Inventor: **Koki Sugawara, Tokyo, Japan**  
[73] Assignee: **Oki Electric Industry Co., Ltd., Tokyo, Japan**  
[\*\*] Term: **14 Years**  
[21] Appl. No.: **600,807**  
[22] Filed: **Oct. 22, 1990**  
[30] **Foreign Application Priority Data**  
Oct. 5, 1990 [JP] Japan ..... 2-33435  
[52] U.S. Cl. .... **D18/55**  
[58] Field of Search ..... D18/50, 54-55, D18/36-37; 400/691-694, 613, 613.1-613.4, 624; 101/93; 346/145

D. 287,728 1/1987 Hara ..... D18/54

### FOREIGN PATENT DOCUMENTS

53997 2/1985 Canada .  
54633 6/1985 Canada .  
M8902094 4/1990 Fed. Rep. of Germany .  
M8902597 4/1990 Fed. Rep. of Germany .  
694755 12/1986 Japan .

*Primary Examiner*—A. Hugo Word  
*Assistant Examiner*—CathyAnne MacCormac  
*Attorney, Agent, or Firm*—Wenderoth, Lind & Ponack

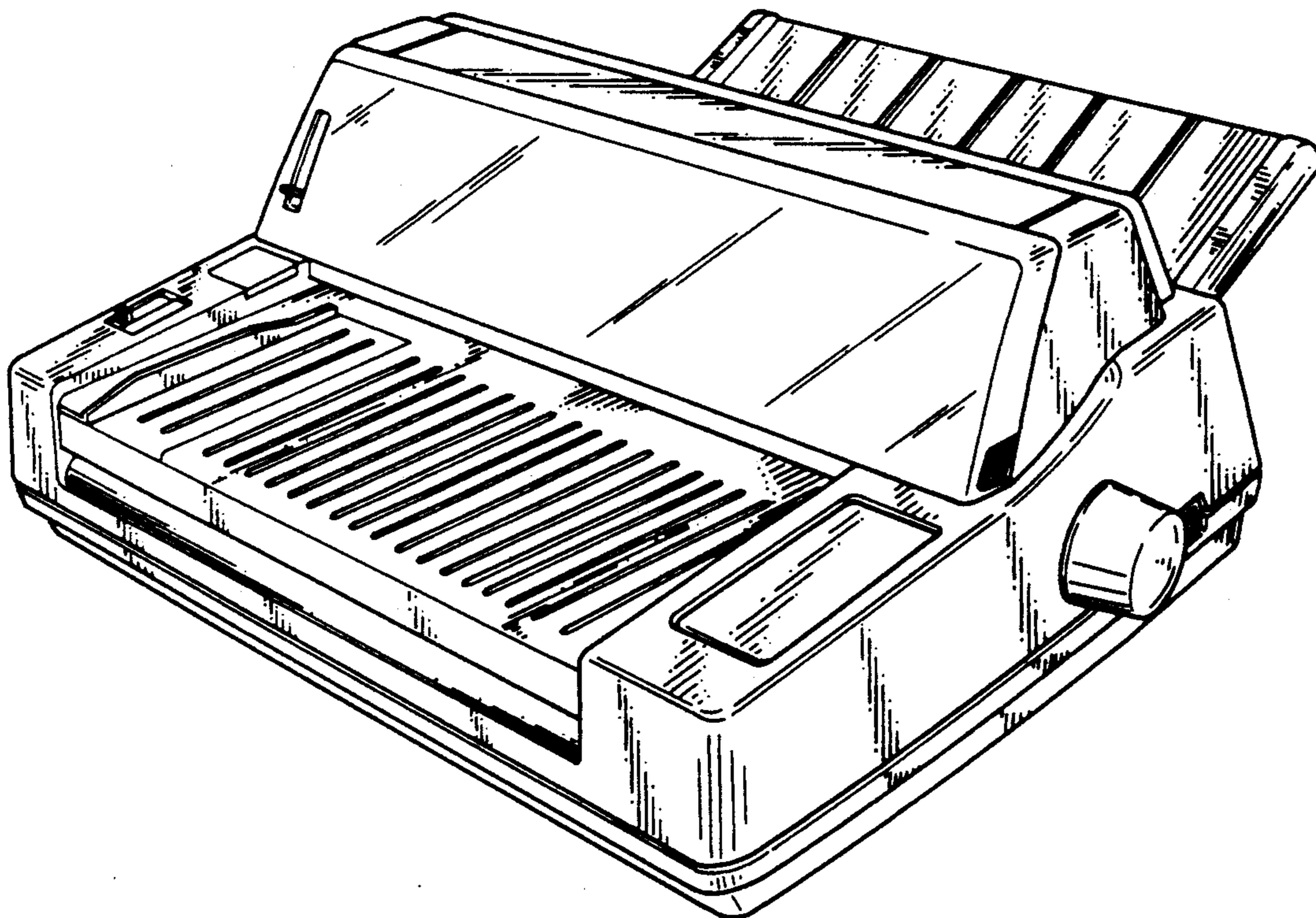
### [57] CLAIM

The ornamental design for a printer, as shown and described.

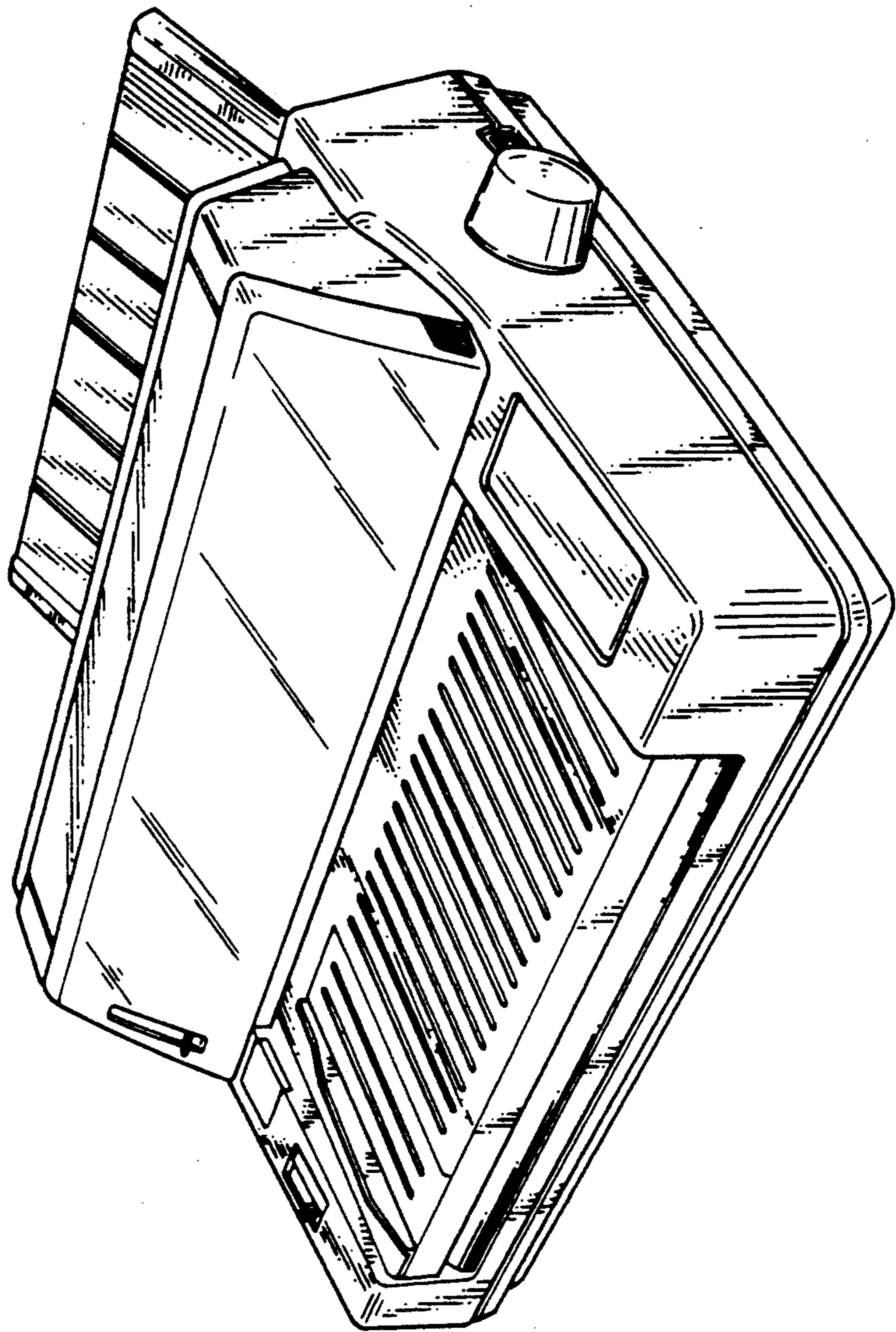
### DESCRIPTION

FIG. 1 is a front top and right side perspective view of a printer showing my new design;  
FIG. 2 is a front elevational view thereof;  
FIG. 3 is a rear elevational view thereof;  
FIG. 4 is a top plan view thereof;  
FIG. 5 is a bottom view thereof;  
FIG. 6 is a left side elevational view thereof; and,  
FIG. 7 is a right side elevational view thereof.

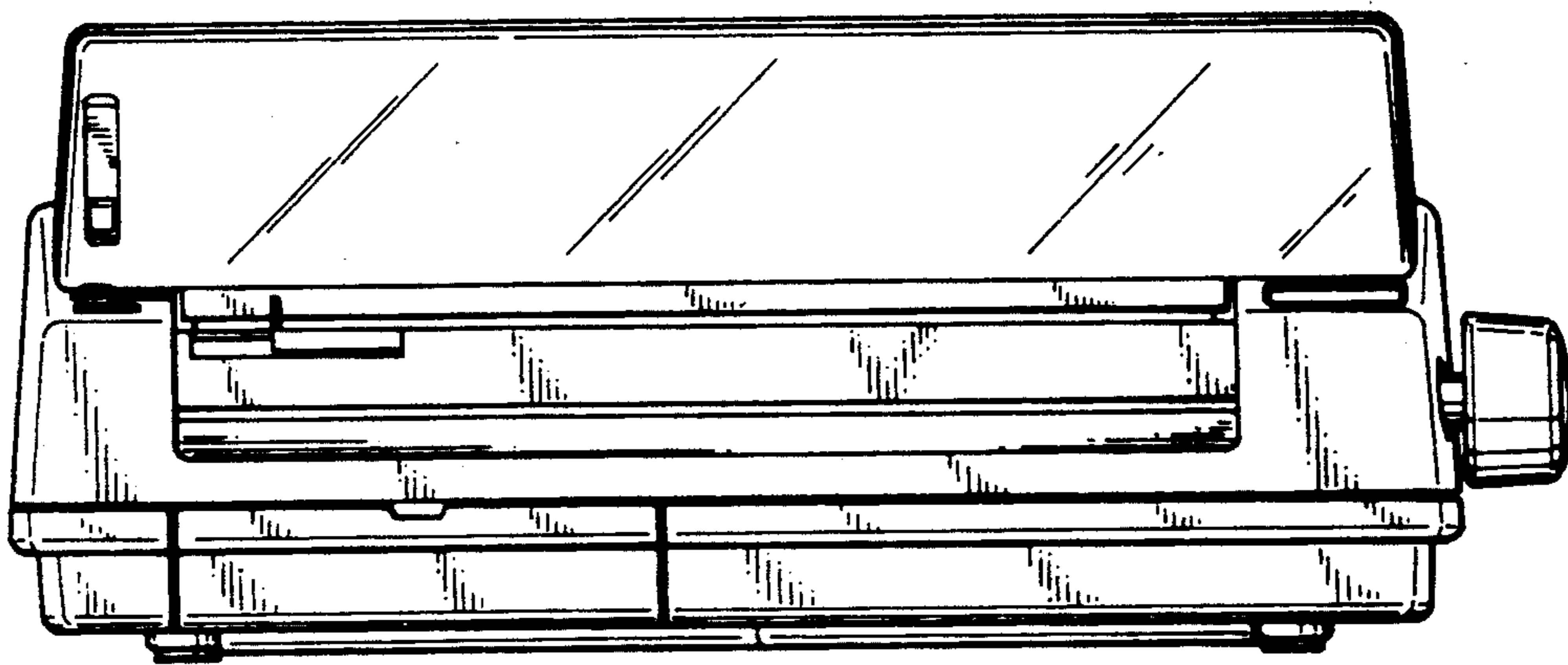
[56] **References Cited**  
**U.S. PATENT DOCUMENTS**  
D. 279,783 7/1985 Jordan et al. .... D18/55  
D. 283,133 3/1986 Nakade et al. .... D18/54  
D. 287,720 1/1987 Takemasa ..... D18/54  
D. 287,727 1/1987 Kurihara ..... D18/54



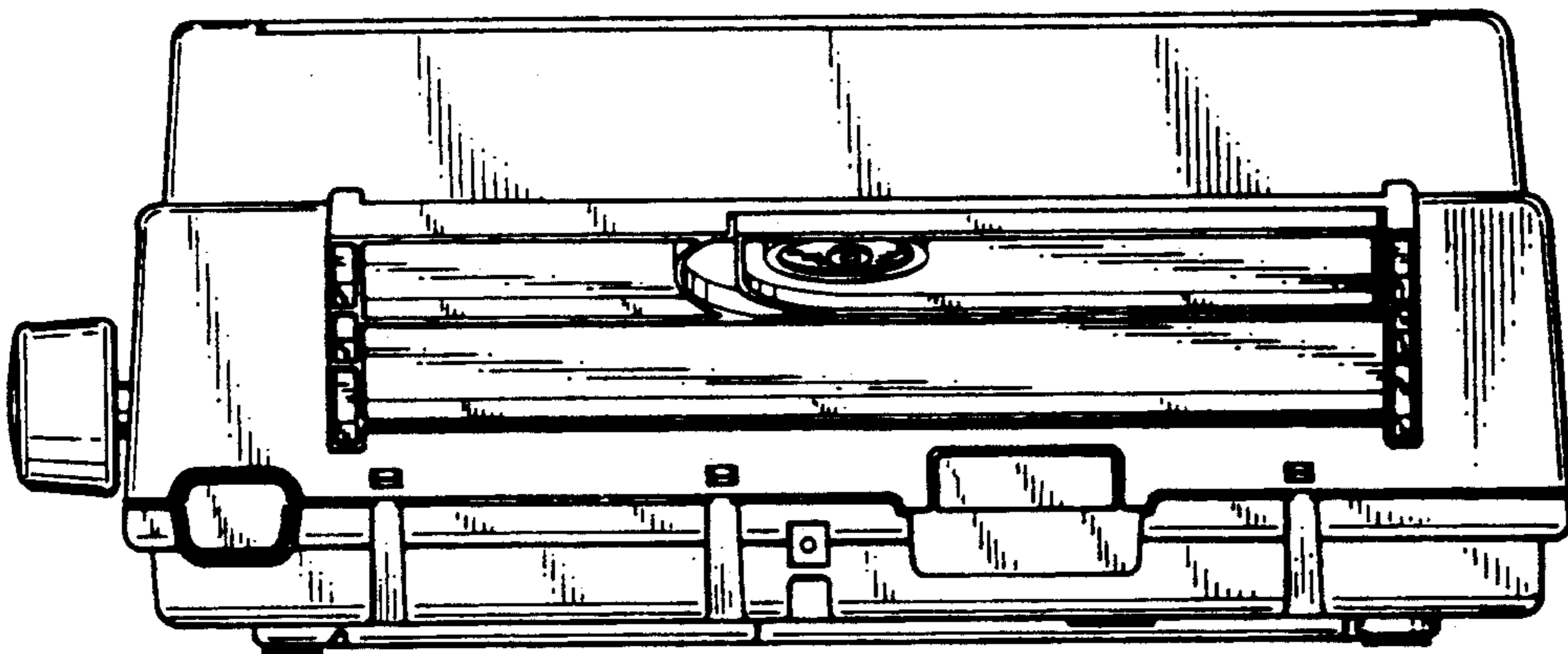
*Fig. 1*



*Fig.2*

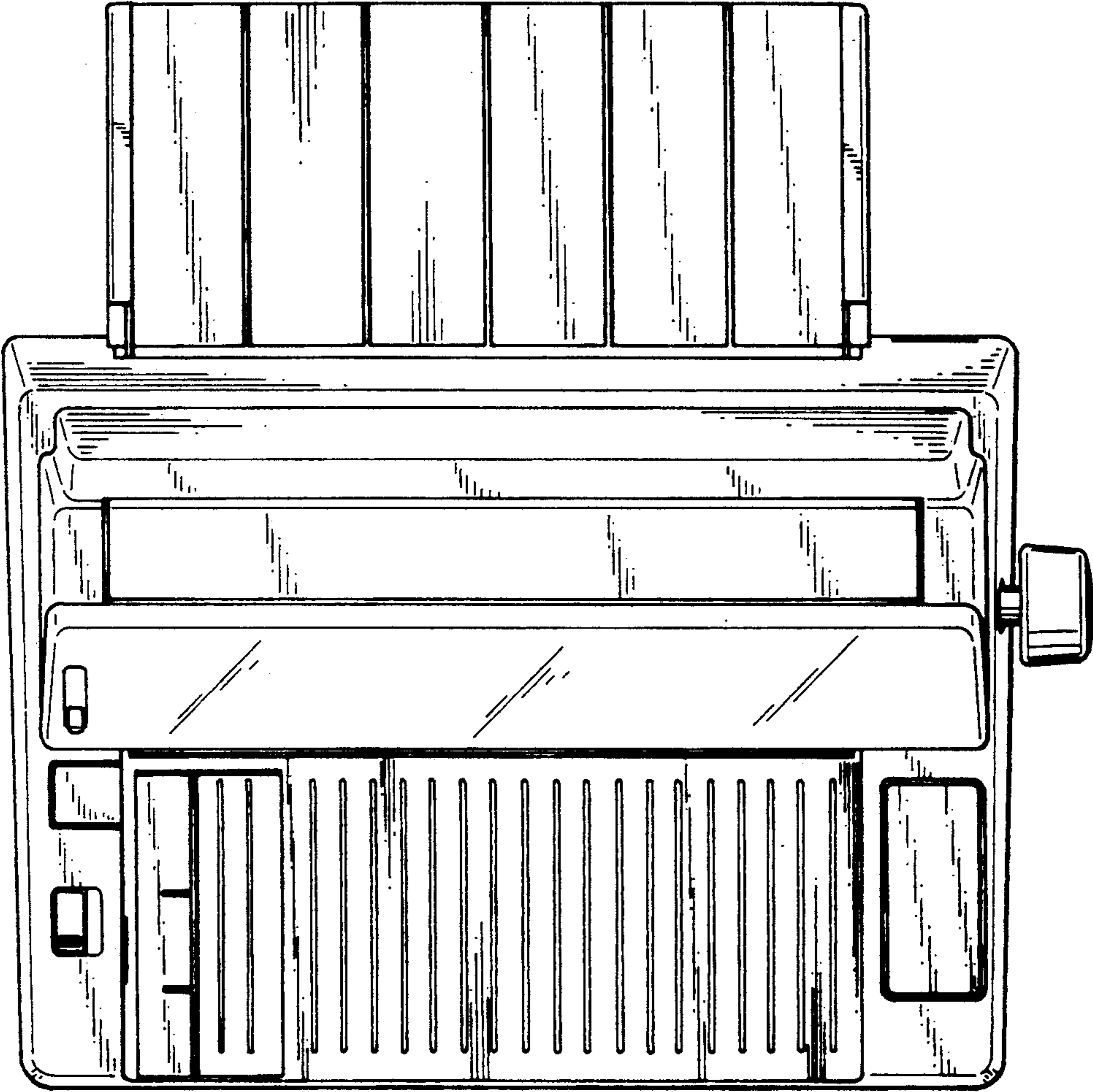


*Fig.3*

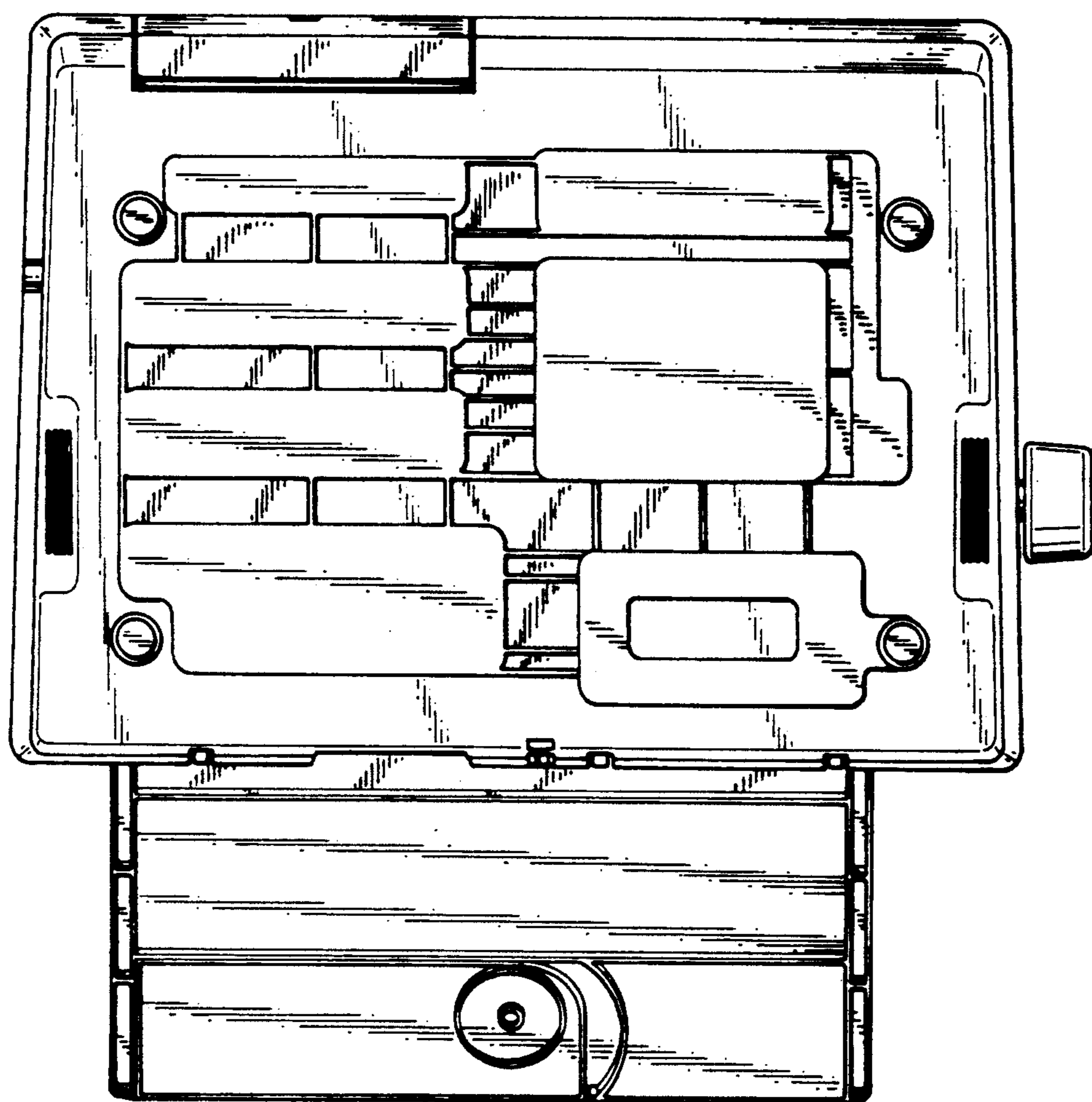




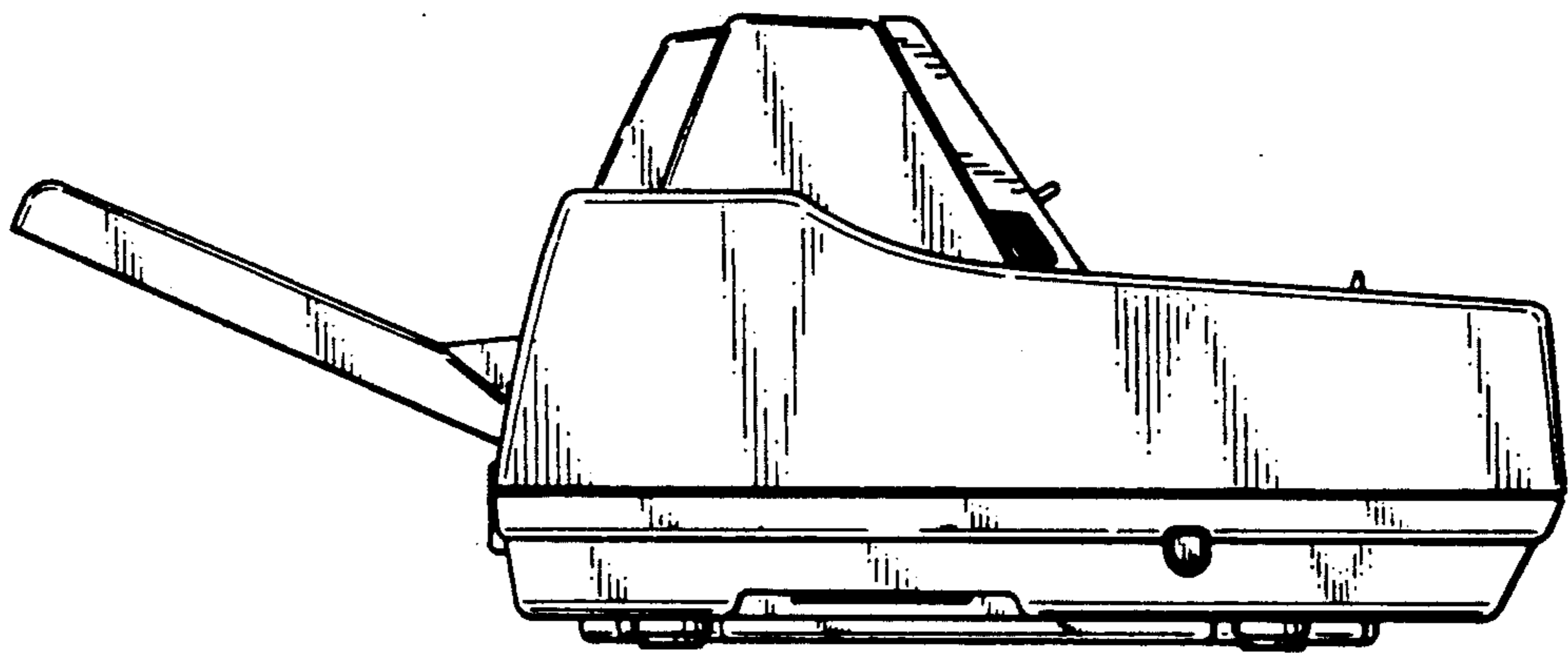
*Fig. 4*



*Fig.5*



*Fig.6*



*Fig.7*

