



US00D332615S

United States Patent [19]

[11] Patent Number: **Des. 332,615**

Fang et al.

[45] Date of Patent: **** Jan. 19, 1993**

[54] **LASER PROCESSING MACHINE**

[75] Inventors: **Chih-Han Fang; Ydu-Jia Ju; James Wei**, all of Hsinchu, Taiwan

[73] Assignee: **Industrial Technology Research Institute**, Hsinchu, Taiwan

[**] Term: **14 Years**

[21] Appl. No.: **468,953**

[22] Filed: **Jan. 19, 1990**

[52] U.S. Cl. **D15/122**

[58] Field of Search **D15/122, 199; 219/121.6, 121.63, 121.67, 121.68, 121.7**

[56] **References Cited**

U.S. PATENT DOCUMENTS

D. 266,520	10/1982	Engel	D15/122
4,270,845	6/1981	Takizawa et al.	219/121.6 X
4,288,680	9/1981	Röder	219/121.6 X
4,649,497	3/1987	Carlson et al.	219/121.6 X
4,994,058	2/1991	Raven et al.	219/121.6 X

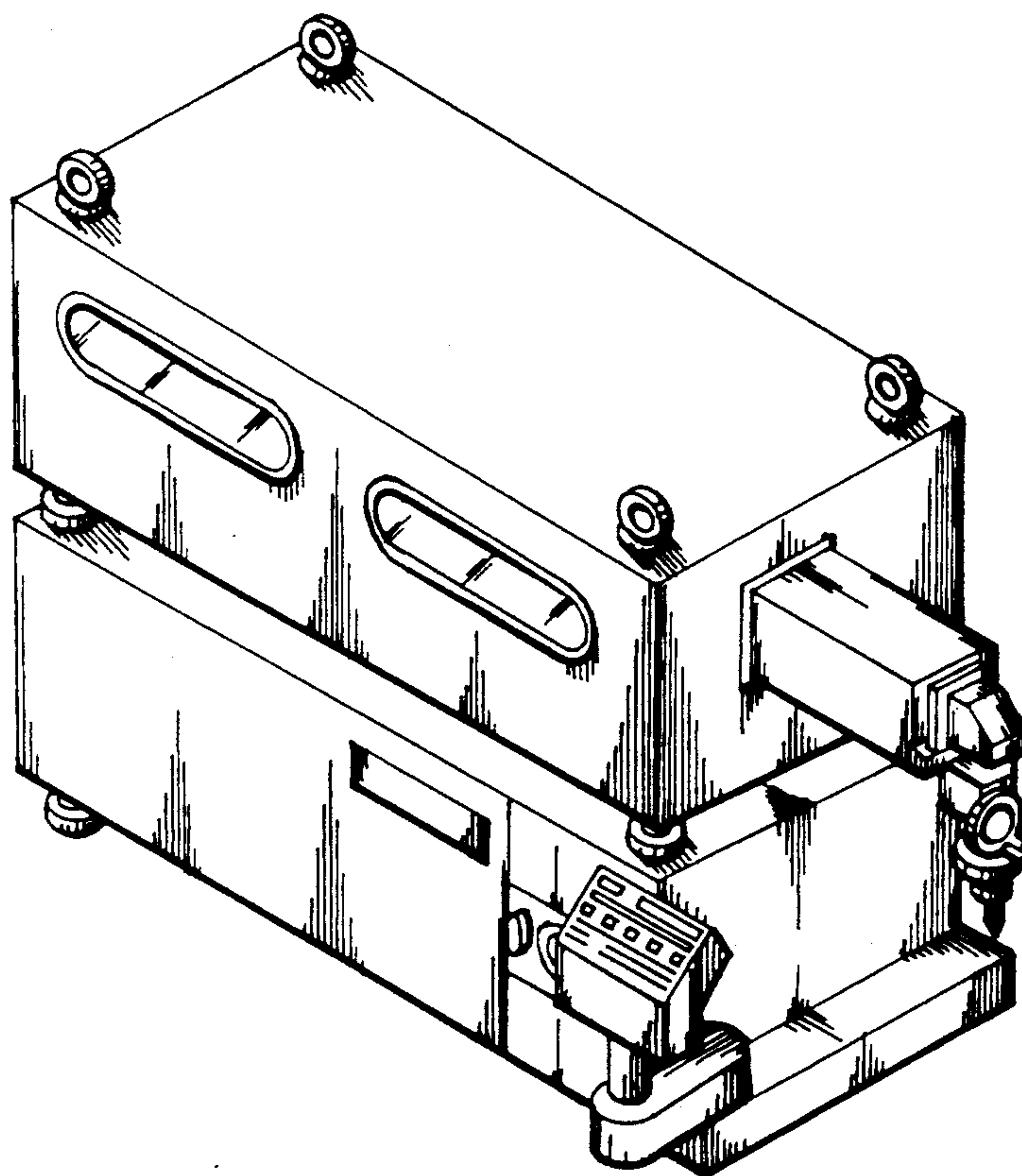
Primary Examiner—Alan P. Douglas
Assistant Examiner—Antoine D. Davis
Attorney, Agent, or Firm—Bucknam and Archer

[57] **CLAIM**

An ornamental design for a laser processing machine, as shown.

DESCRIPTION

FIG. 1 is a front elevational view of a laser processing machine showing our new design; FIG. 2 is a top plan view; FIG. 3 is a bottom plan view; FIG. 4 is a top, rear and left side perspective view; FIG. 5 is a top, rear and left side perspective view, shown with the control consul in an alternate condition of use; FIG. 6 is a left side elevational view; FIG. 7 is a right side elevational view; and, FIG. 8 is a rear elevational view thereof. FIGS. 4 and 5 have been drawn on an enlarged scale with respect to FIGS. 1-3 and 6-8.



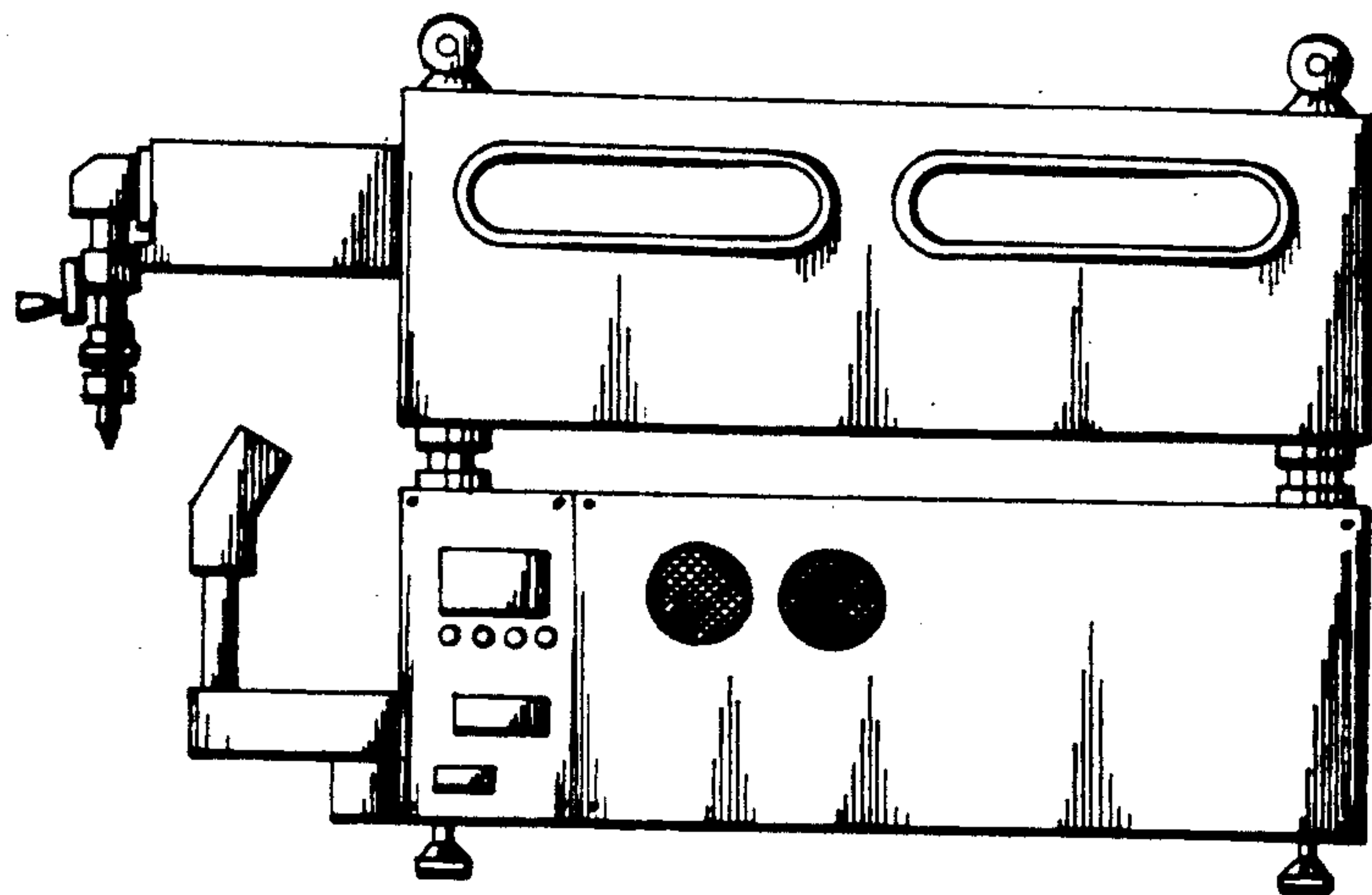


FIG. 1

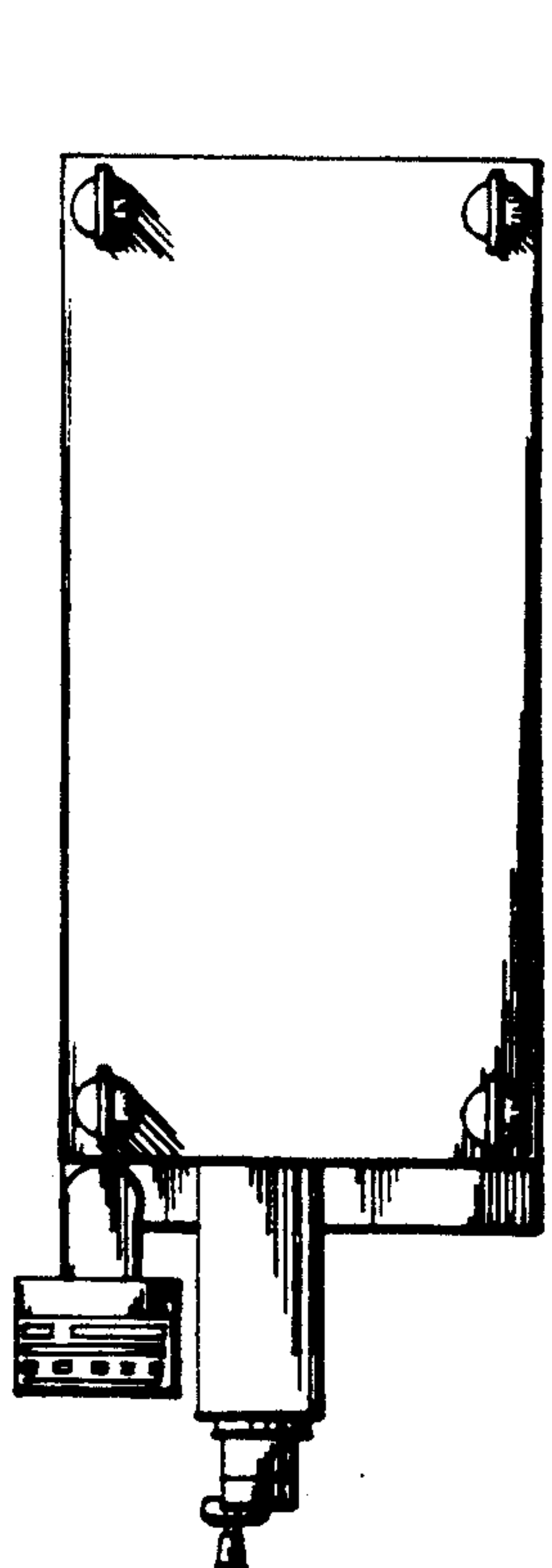


FIG. 2

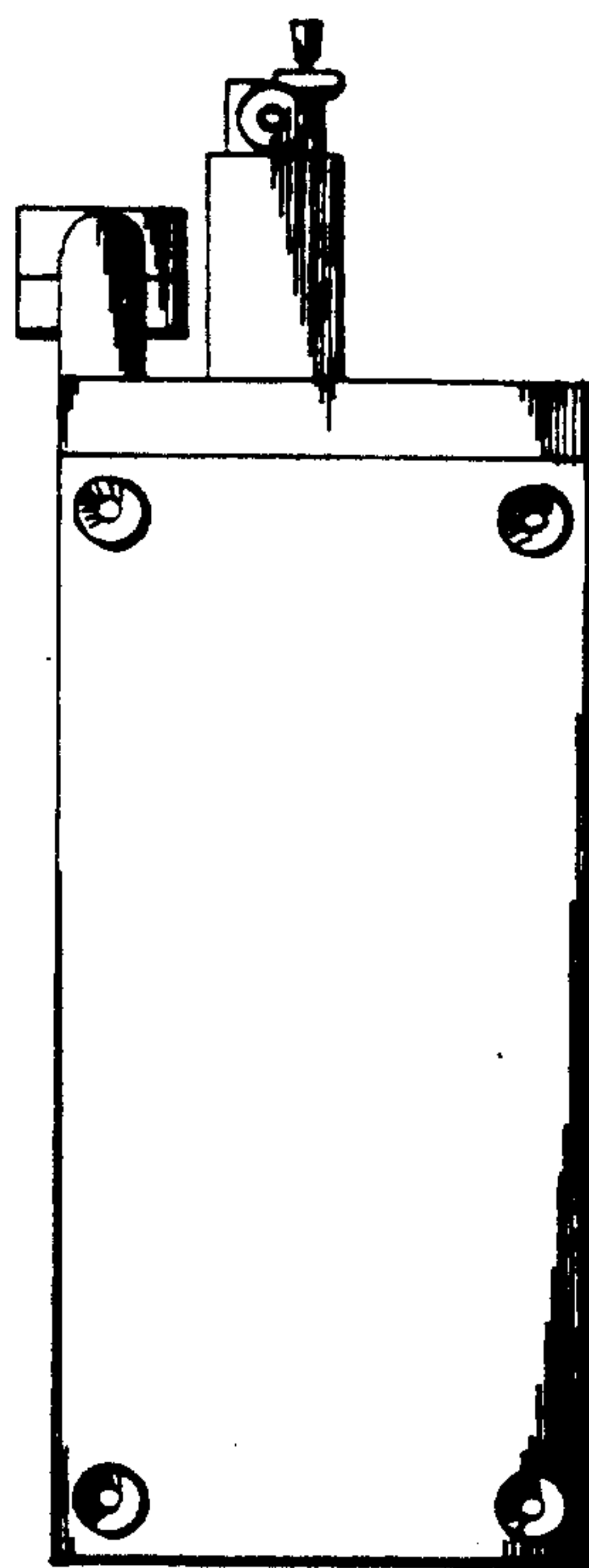


FIG. 3

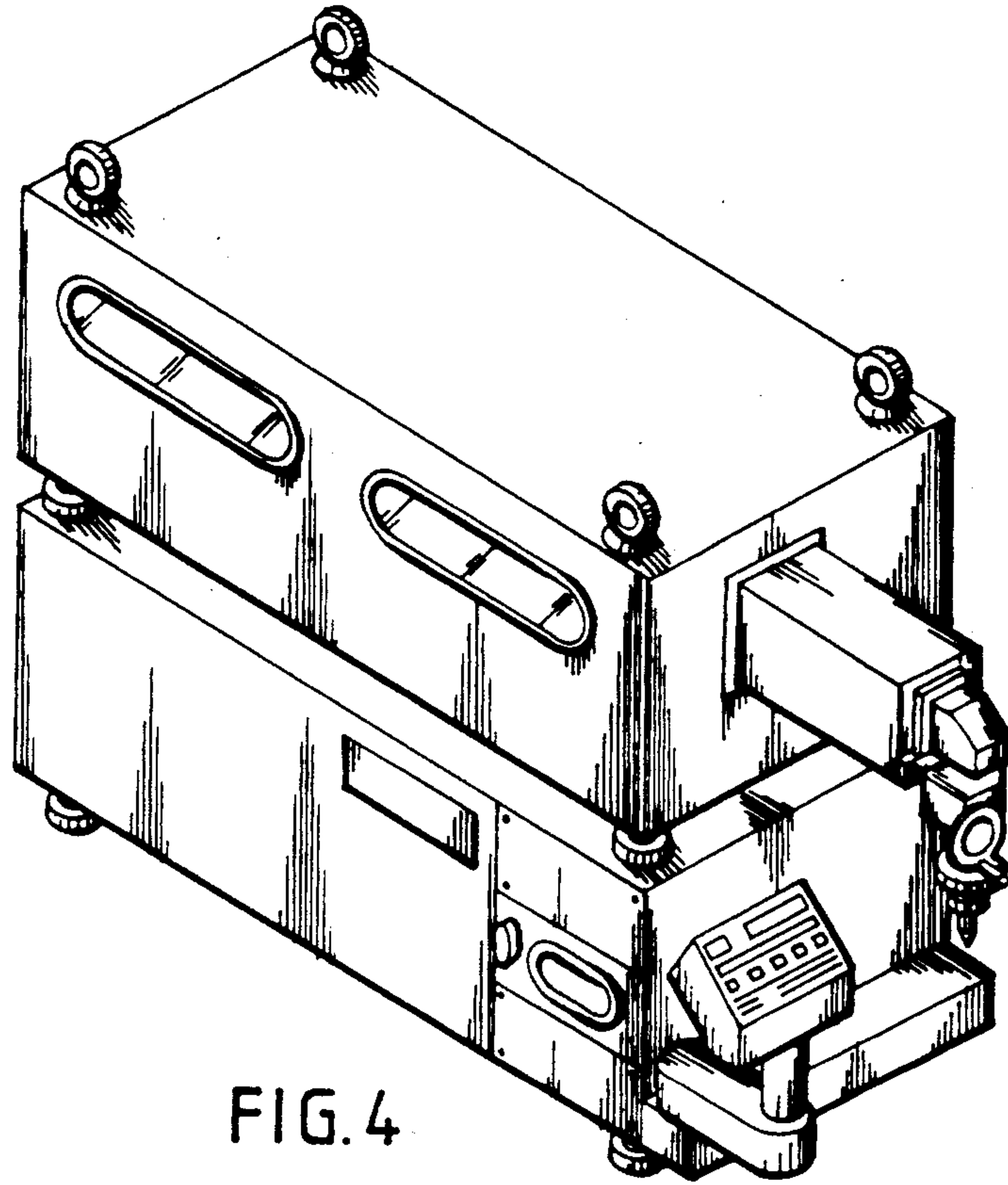


FIG. 4

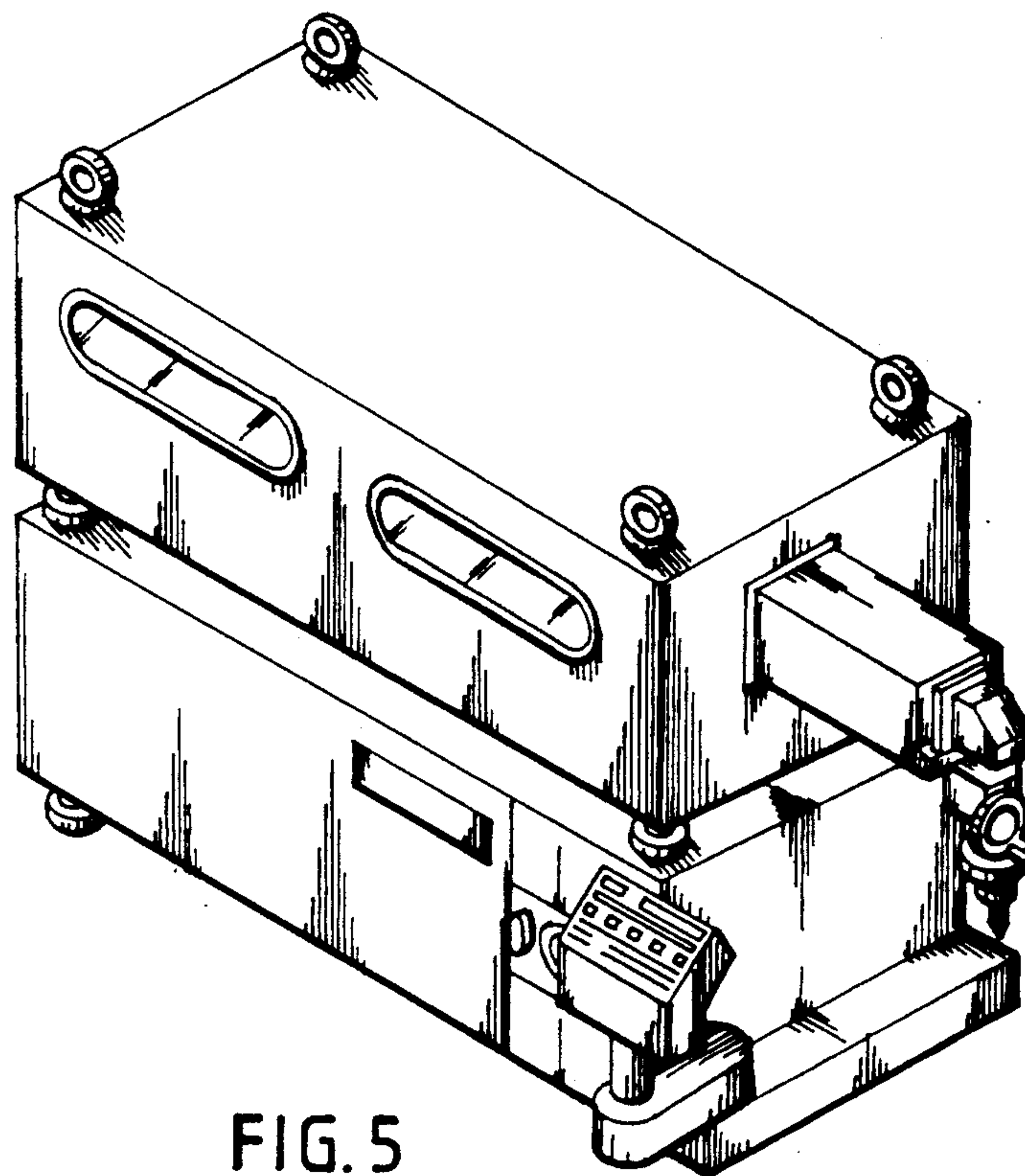


FIG. 5

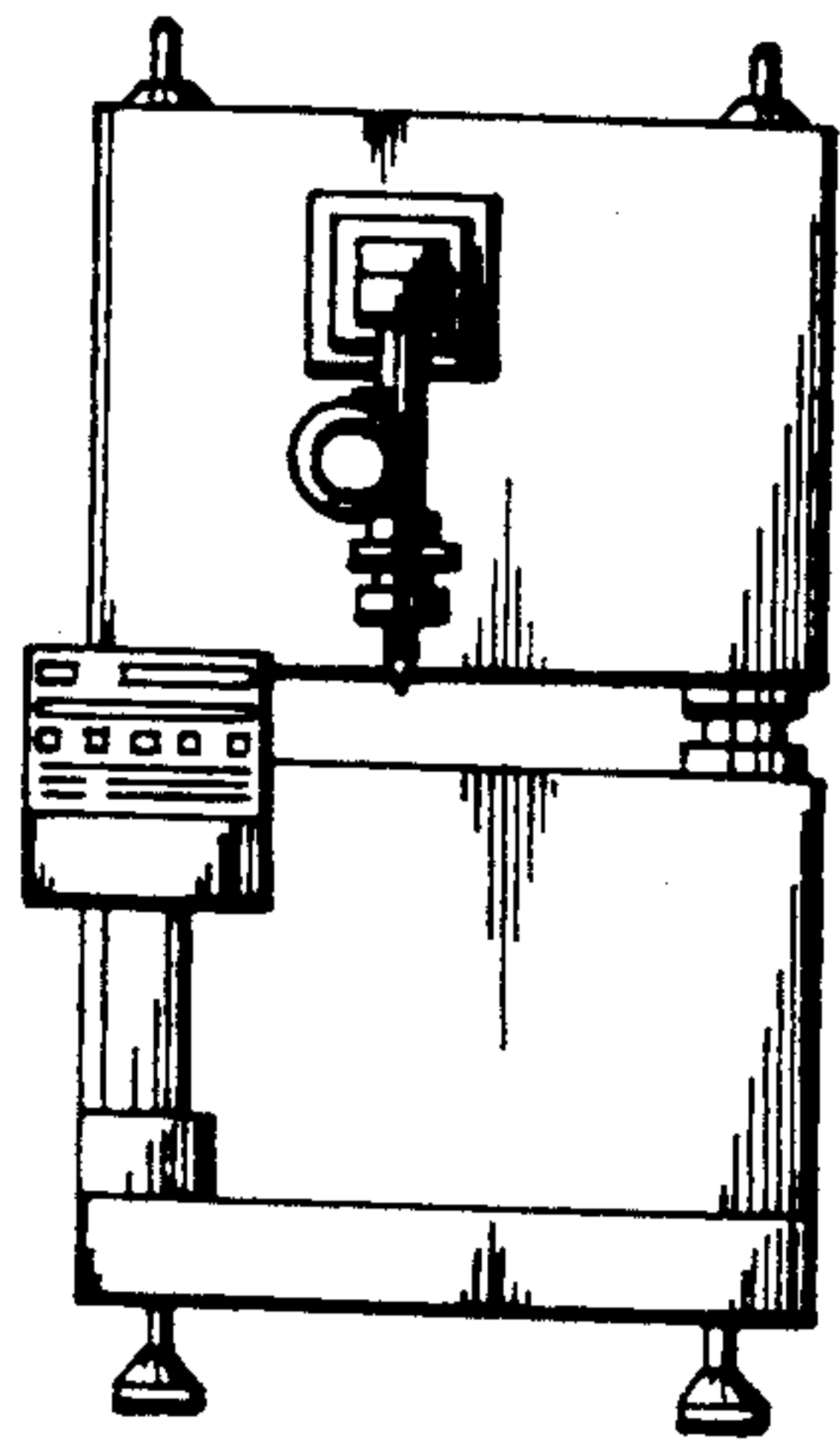


FIG. 6

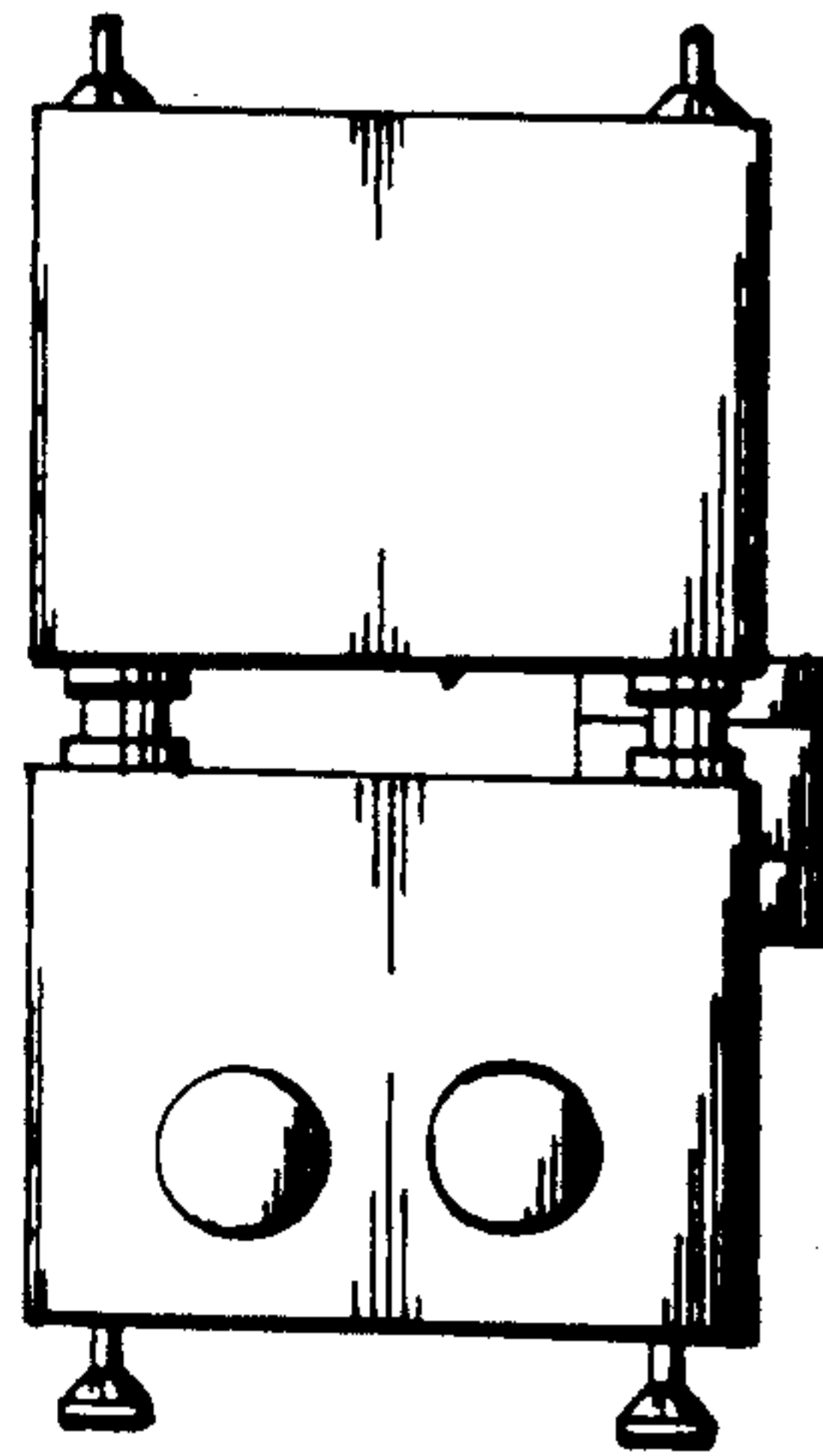


FIG. 7

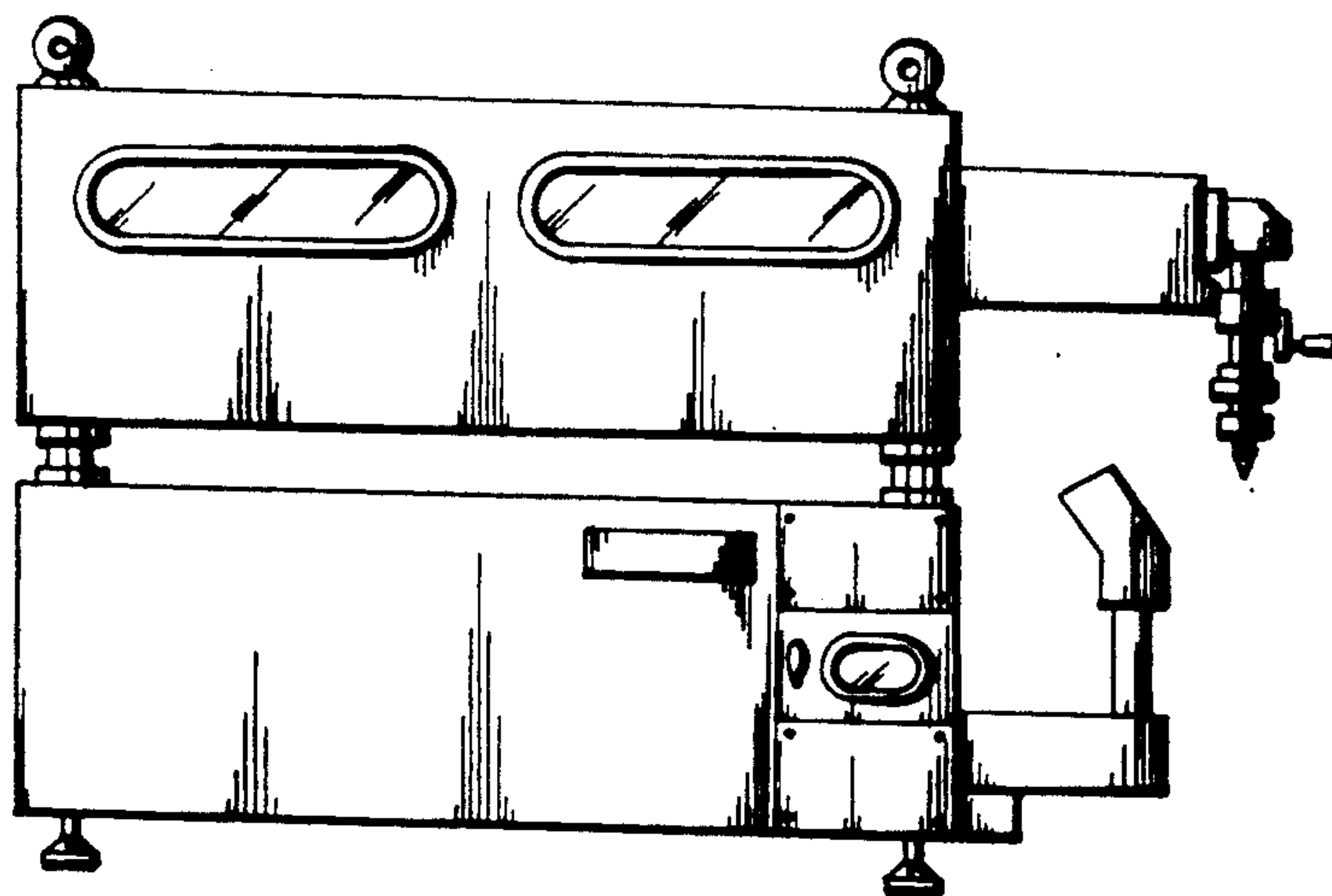


FIG. 8