



US00D332613S

United States Patent [19]

Keller

[11] Patent Number: **Des. 332,613**

[45] Date of Patent: **** Jan. 19, 1993**

[54] **PORTABLE SPRAY UNIT**

[75] Inventor: **Silvano Keller**, Bottstein, Switzerland

[73] Assignee: **Plasma Technik AG**, Wohlen, Switzerland

[**] Term: **14 Years**

[21] Appl. No.: **596,897**

[22] Filed: **Oct. 11, 1990**

[52] U.S. Cl. **D15/9**

[58] Field of Search **D15/1-9.1;**
417/234, 235; 222/608, 610

[56] **References Cited**

U.S. PATENT DOCUMENTS

- D. 144,482 4/1946 Davis et al. D15/7
- D. 156,075 11/1949 Collier D15/7
- D. 223,039 2/1972 Widmer D15/7
- D. 223,475 4/1972 Elson et al. D15/7

- D. 231,132 4/1974 Seastrom D15/7
- 3,305,137 2/1967 Gauthier et al. 417/234
- 4,787,827 11/1988 Hinkle et al. 417/234

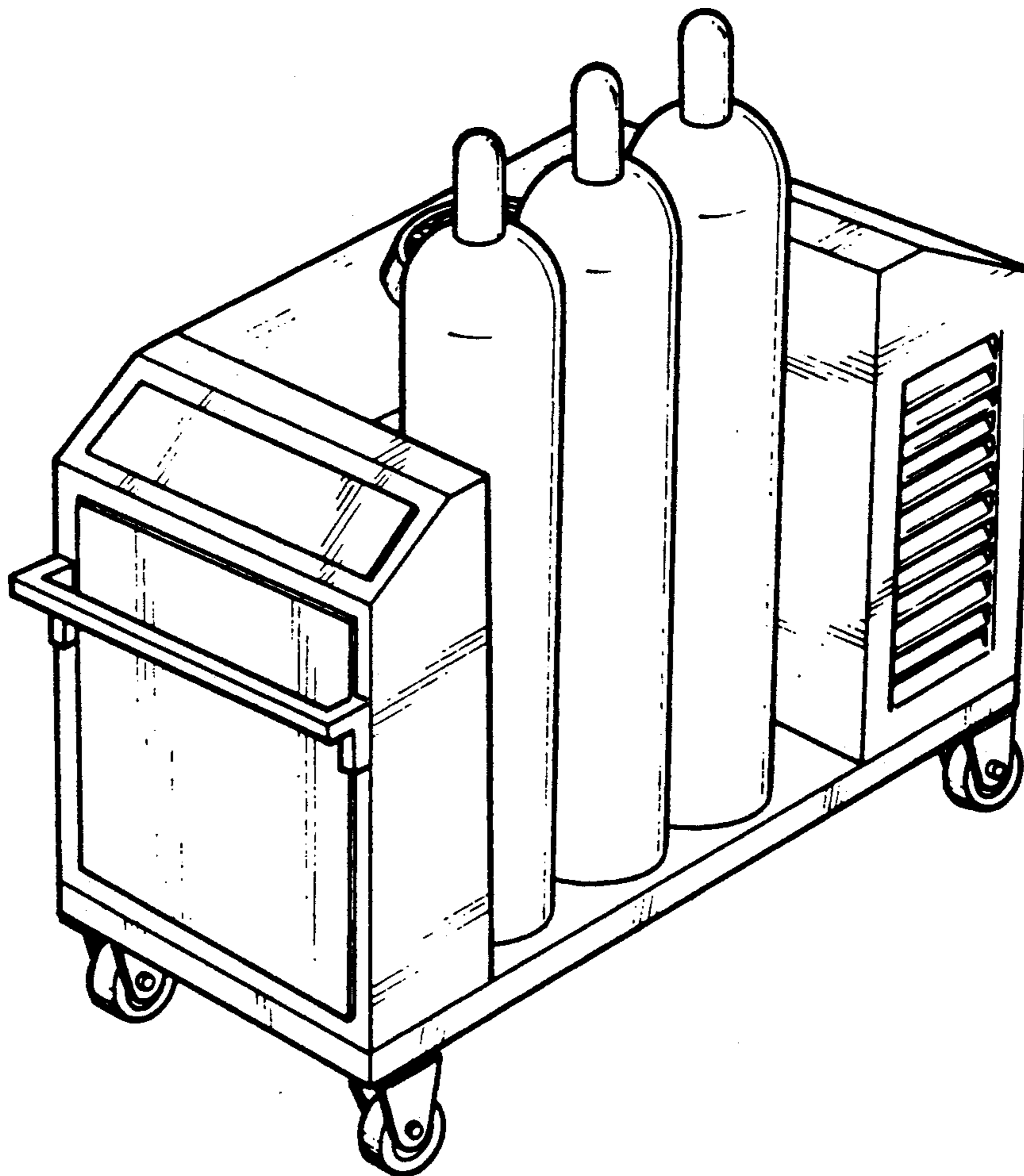
Primary Examiner—A. Hugo Word
Assistant Examiner—R. Seifert
Attorney, Agent, or Firm—Dykema Gossett

[57] **CLAIM**

The ornamental design for a portable spray unit, as shown and described.

DESCRIPTION

FIG. 1 is a front perspective view of a portable spray unit showing my new design;
FIG. 2 is a rear perspective view thereof;
FIG. 3 is a front elevational view thereof;
FIG. 4 is an end elevational view thereof;
FIG. 5 is a rear elevational view thereof;
FIG. 6 is an end elevational view of the side opposite that shown in FIG. 4; and,
FIG. 7 is a top plan view thereof.



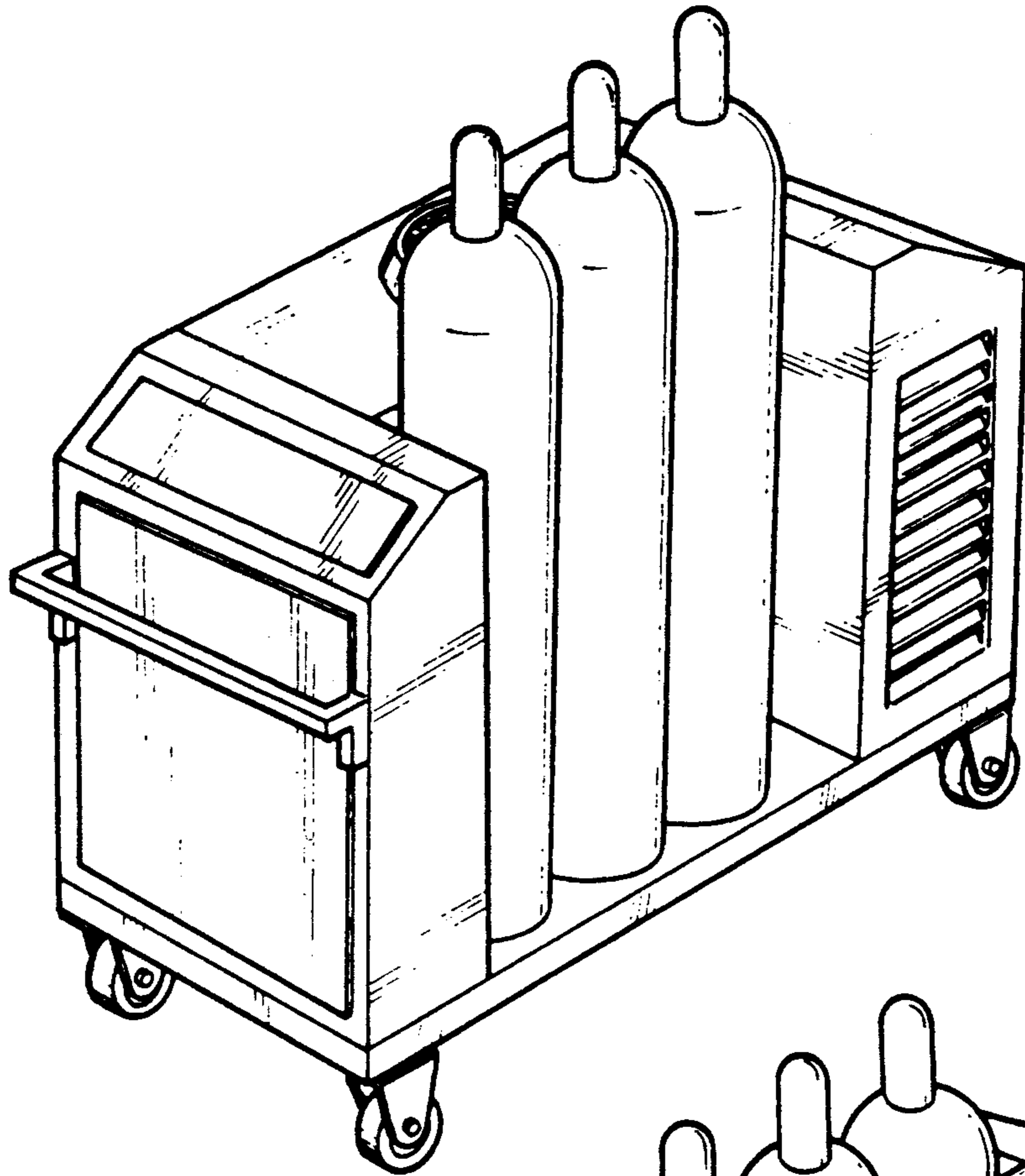


Fig-1

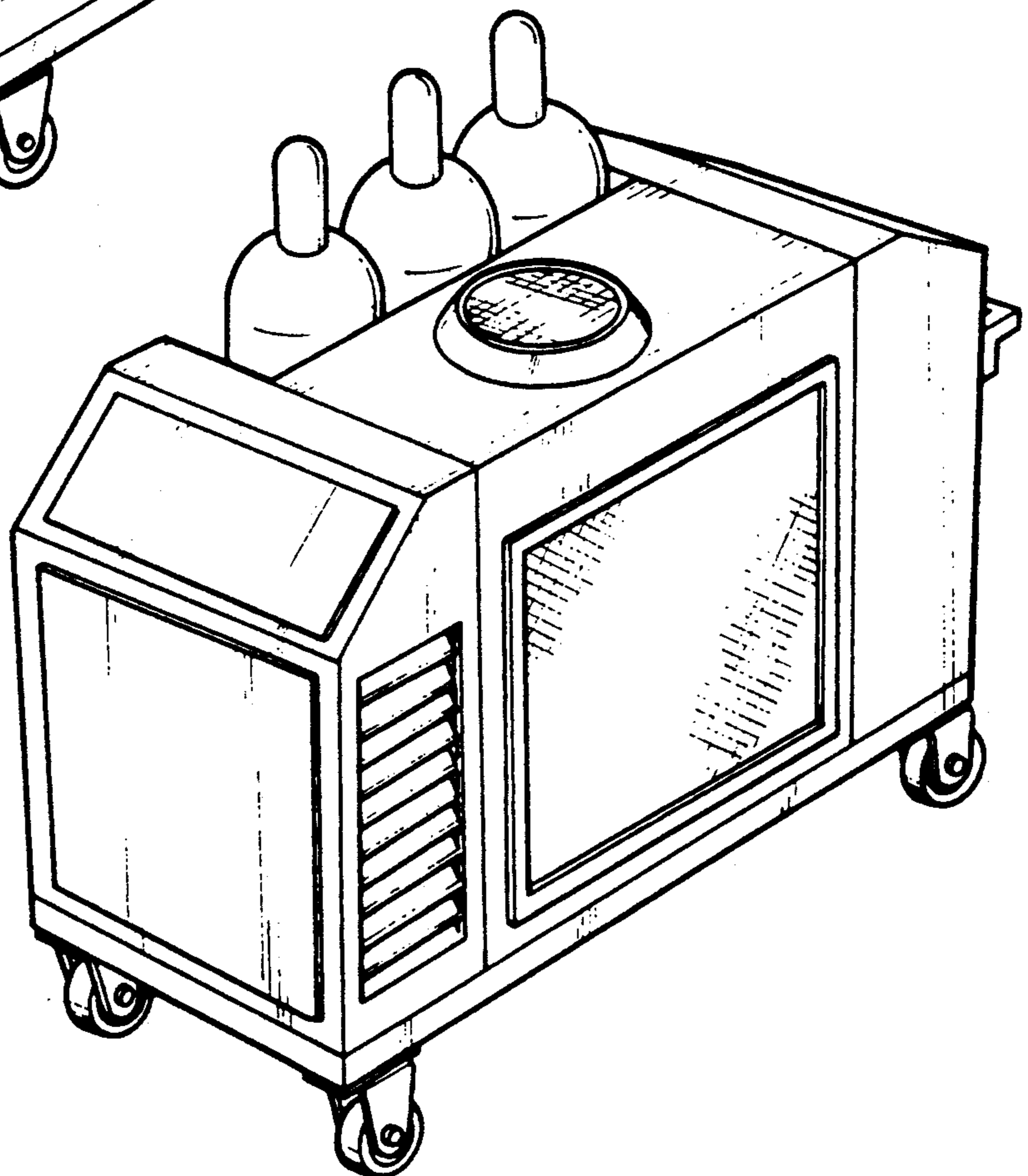


Fig-2

