



US00D332610S

United States Patent [19]

[11] Patent Number: **Des. 332,610**

Alim et al.

[45] Date of Patent: **** Jan. 19, 1993**

[54] TELEPHONE HANDSET OR SIMILAR ARTICLE

[75] Inventors: **Sonia Alim**, Middletown; **Richard M. Joffe**, Teaneck; **Charles F. Liebler**, Holmdel, all of N.J.; **John N. McGarvey**, Drexel Hill, Pa.; **Joseph J. Rizzo**, Cliffwood Beach, N.J.

[73] Assignee: **AT&T Bell Laboratories**, Murray Hill, N.J.

[**] Term: **14 Years**

[21] Appl. No.: **674,721**

[22] Filed: **Mar. 22, 1991**

[52] U.S. Cl. **D14/252; D14/147; D14/248**

[58] Field of Search **D14/144, 252, 248, 138, D14/151, 148; 379/434; 40/439**

[56] References Cited

U.S. PATENT DOCUMENTS

D. 159,935	8/1950	Simon	D14/252
D. 167,523	8/1952	Mayo	D14/252
D. 193,431	8/1962	Newton	D14/252
D. 276,338	11/1984	Pardo	D14/144
D. 294,500	3/1988	Drakulovic	D14/63
D. 298,493	11/1988	Hatchen et al.	D14/252
D. 301,138	5/1989	Lee	D14/252
D. 315,731	3/1991	Watanabe	D14/252
D. 319,442	8/1991	Namba et al.	D14/144
2,541,270	2/1951	Mitovick	D14/252
2,593,475	4/1952	Neilsen	40/439
4,875,234	10/1989	Tragatschnig	379/434

OTHER PUBLICATIONS

GTE Integrated Telephone Answering Systems: Amoco Credit Card Telephone Brochure. B. A. Pargh Co. Inc.; 1989 Spring Wholesale Catalog at p. 346, GE 29675GEN.

Primary Examiner—Horace B. Fay, Jr.
Attorney, Agent, or Firm—S. R. Williamson

[57] CLAIM

The ornamental design for telephone handset or similar article, as shown and described.

DESCRIPTION

FIG. 1 is a top, front end and right side perspective view of a telephone handset or similar article showing our new design;

FIG. 2 is a top, rear and left side elevational view thereof;

FIG. 3 is a front end, bottom and left side perspective view thereof;

FIG. 4 is a bottom plan view thereof;

FIG. 5 is a left side elevational view thereof, the side opposite being essentially a mirror image thereof;

FIG. 6 is a bottom plan view thereof;

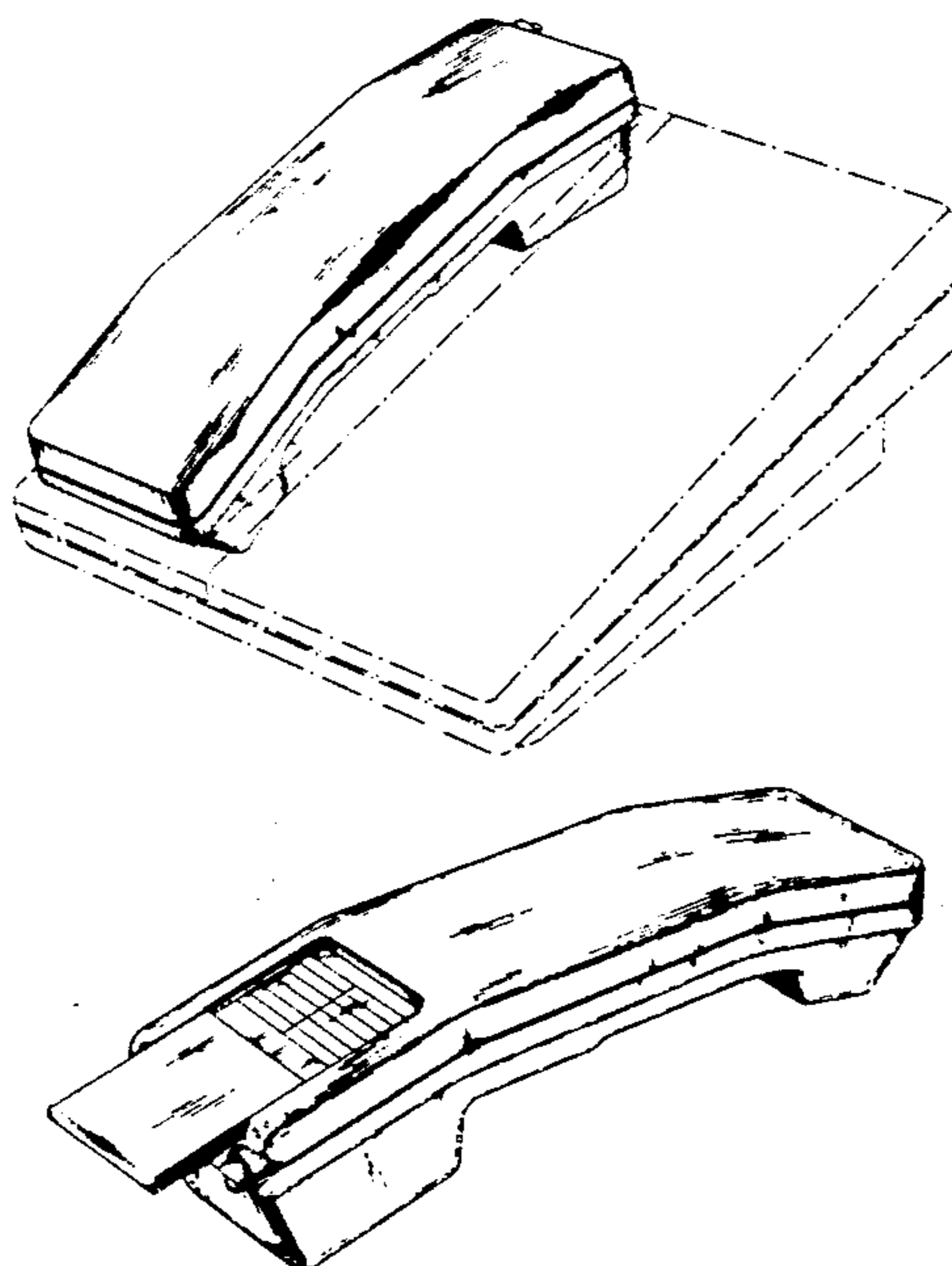
FIG. 7 is a right side elevational view thereof;

FIGS. 8 and 9 are respectively front and rear elevational views thereof;

FIG. 10 is a top, rear and right side elevational view of the handset et al with the slidable panel partially entered outwardly; and,

FIG. 11 is a rear end as in FIG. 10, right side elevational view thereof.

The broken line showing of touch buttons, display areas keyboard and bottom end in FIGS. 3, 5, 6, 7, and 11, and in handset telephone front end unit in FIG. 1, is for illustrative environmental purposes only and forms no part of the claimed design.



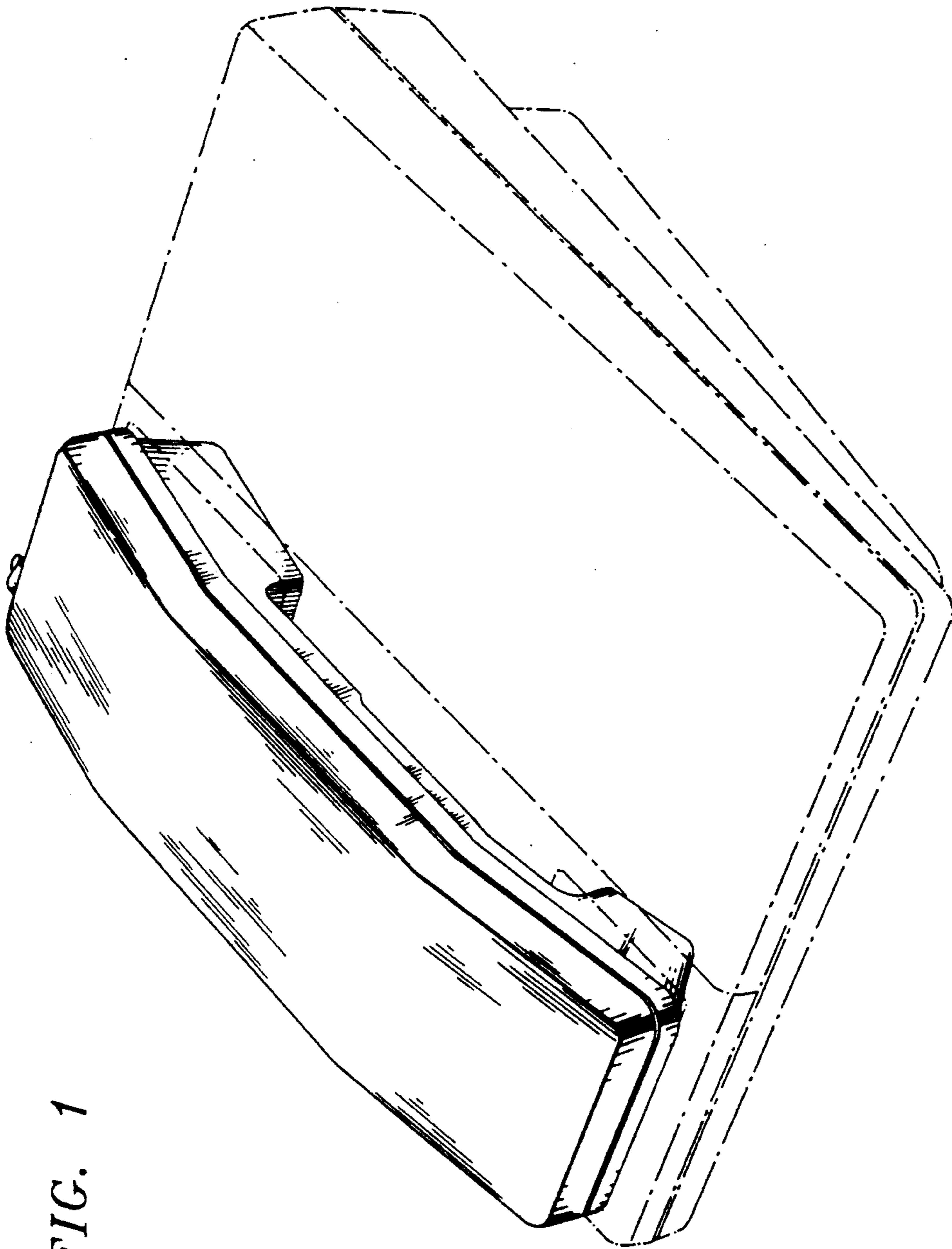


FIG. 1

FIG. 2

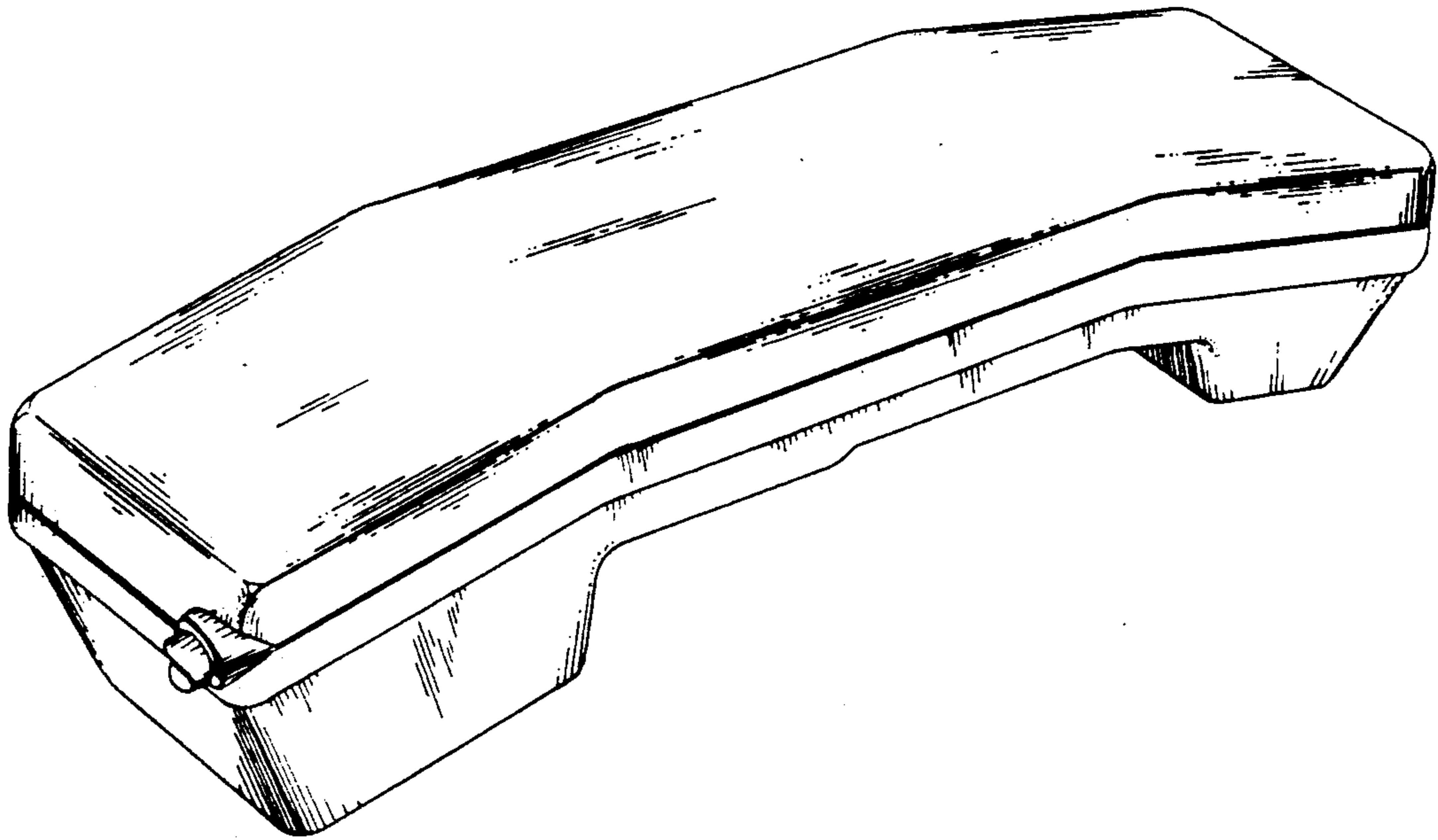


FIG. 3

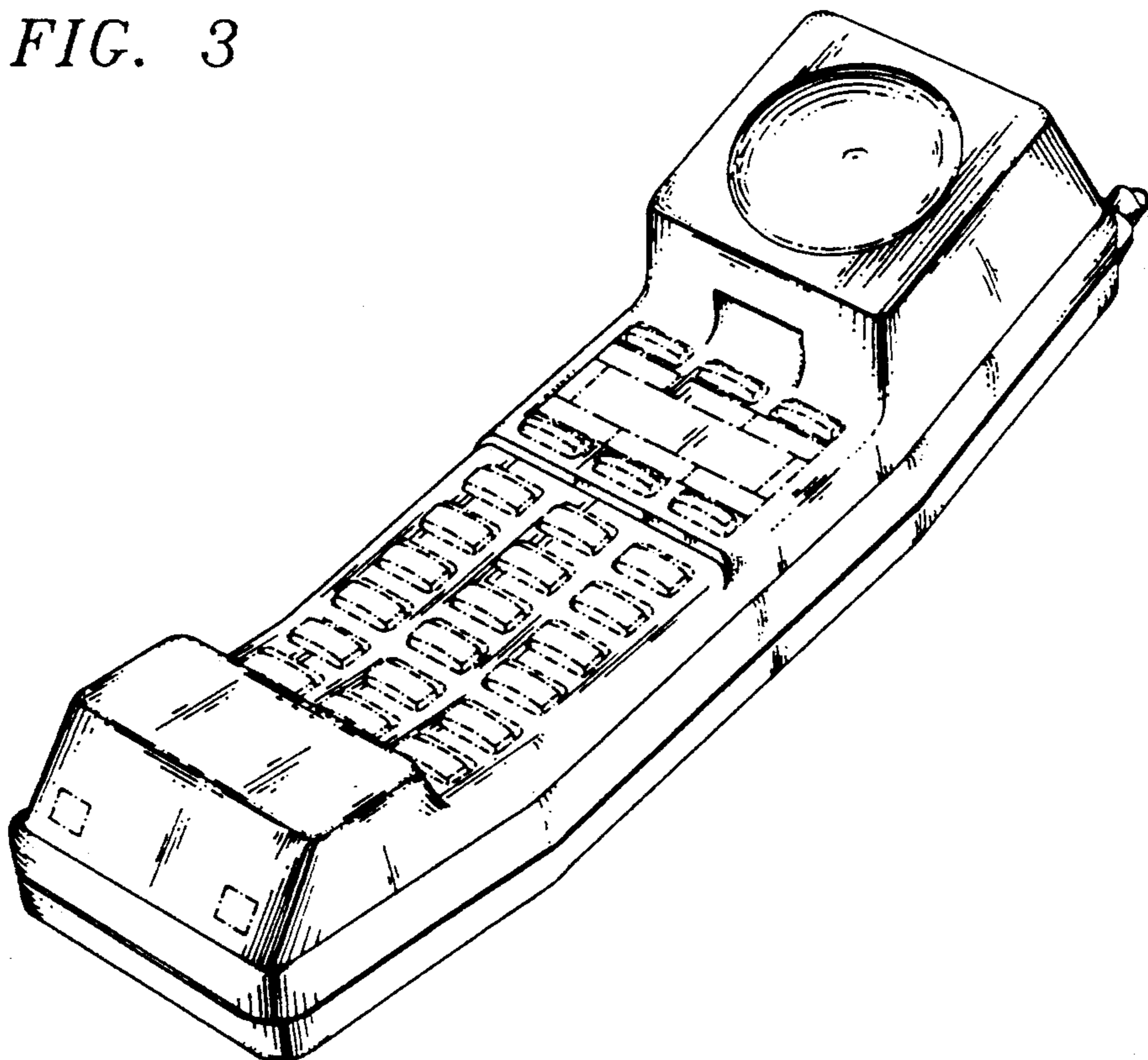


FIG. 4

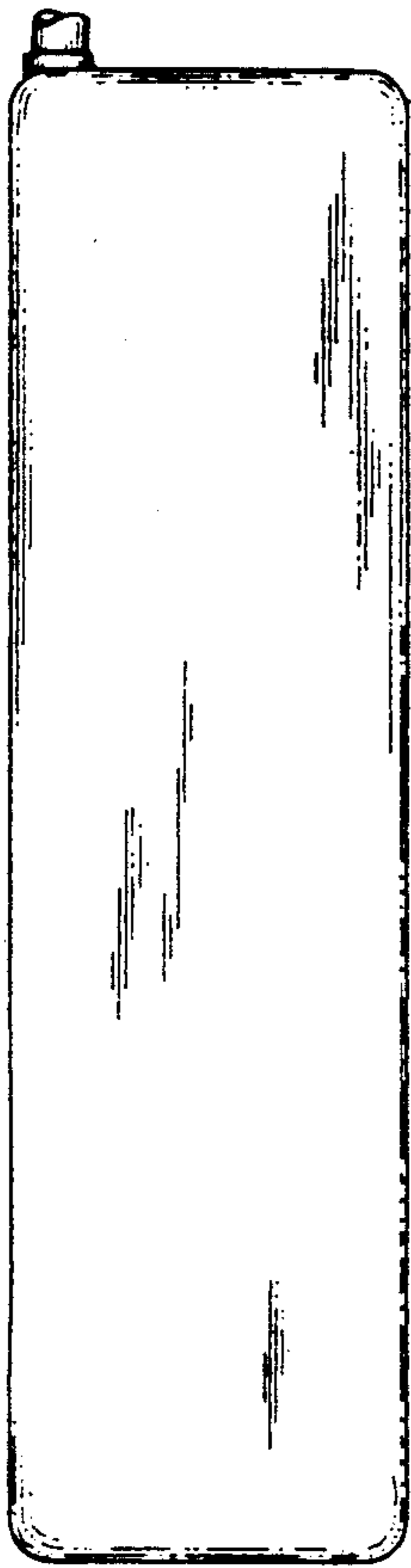


FIG. 5



FIG. 6

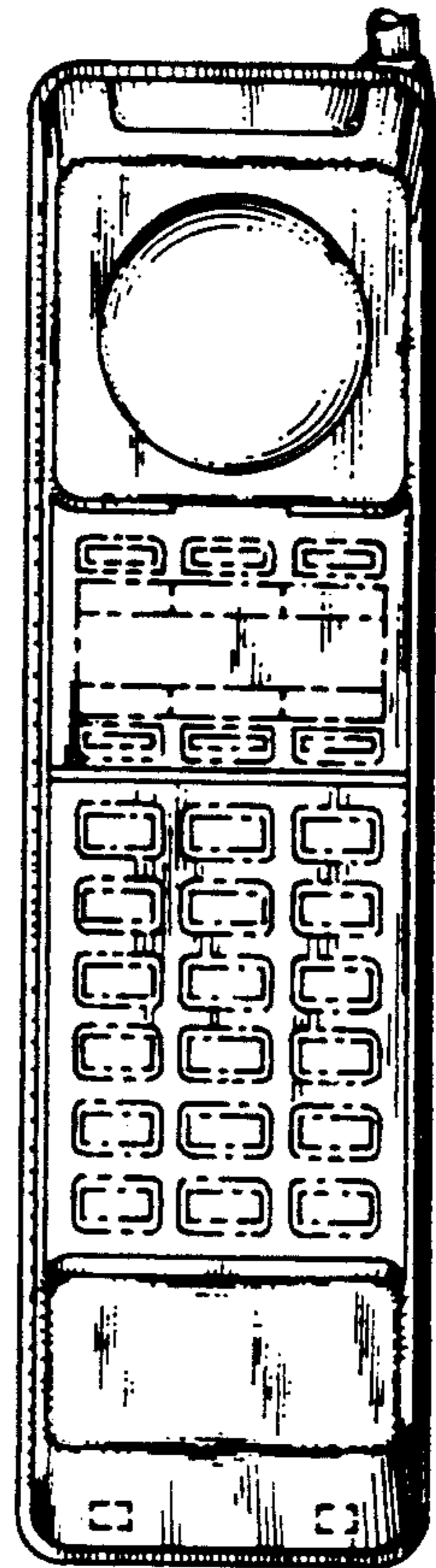


FIG. 7

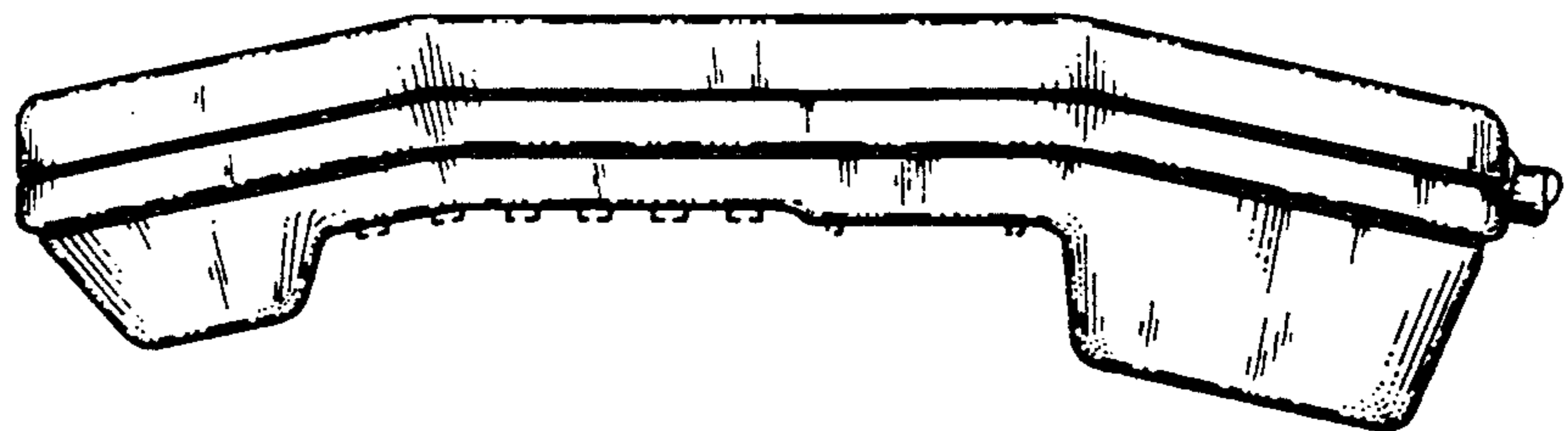


FIG. 8

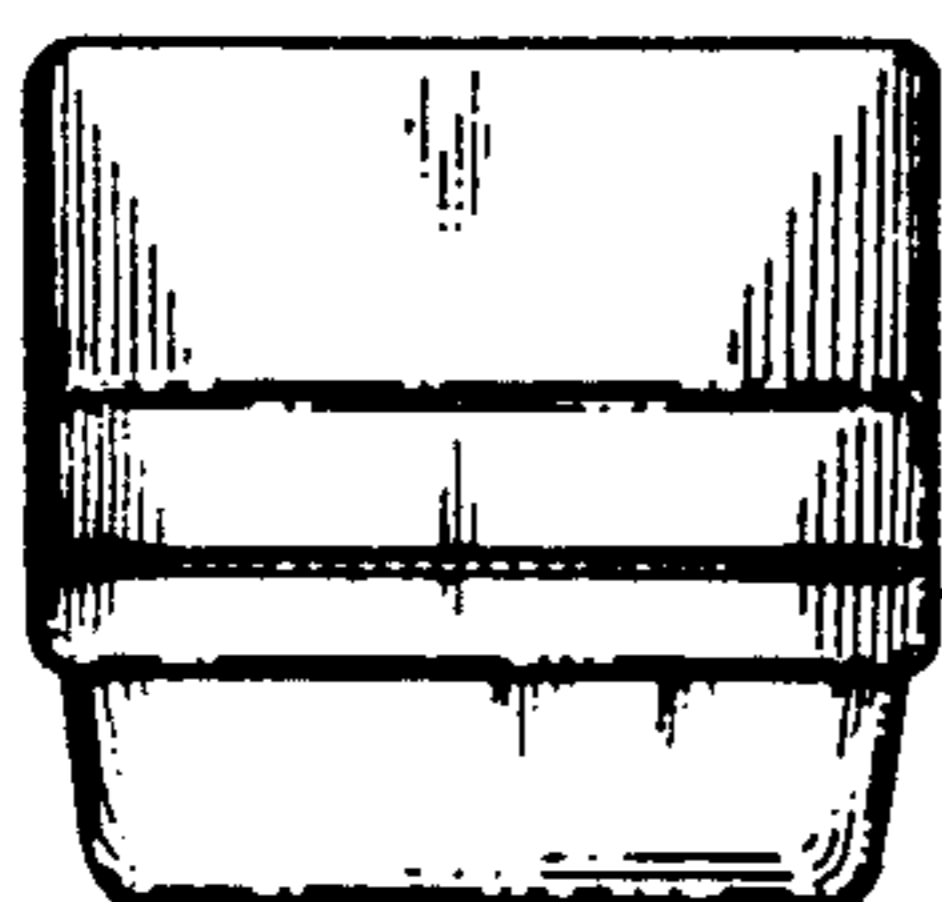


FIG. 9

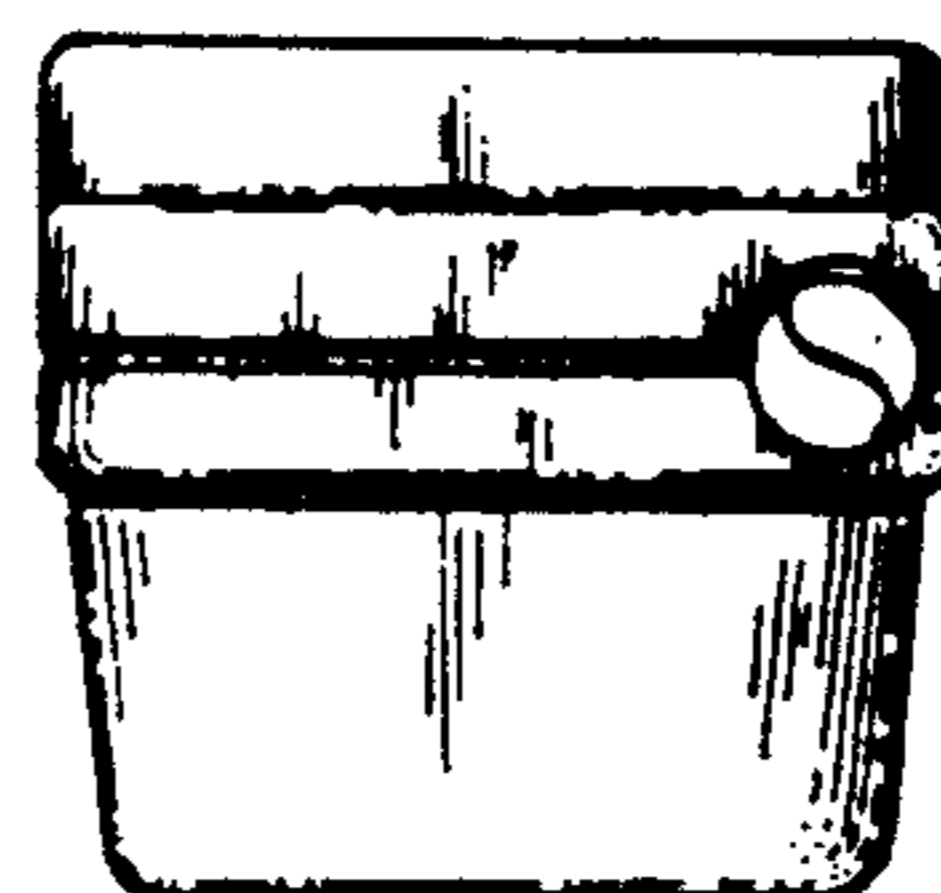


FIG. 10

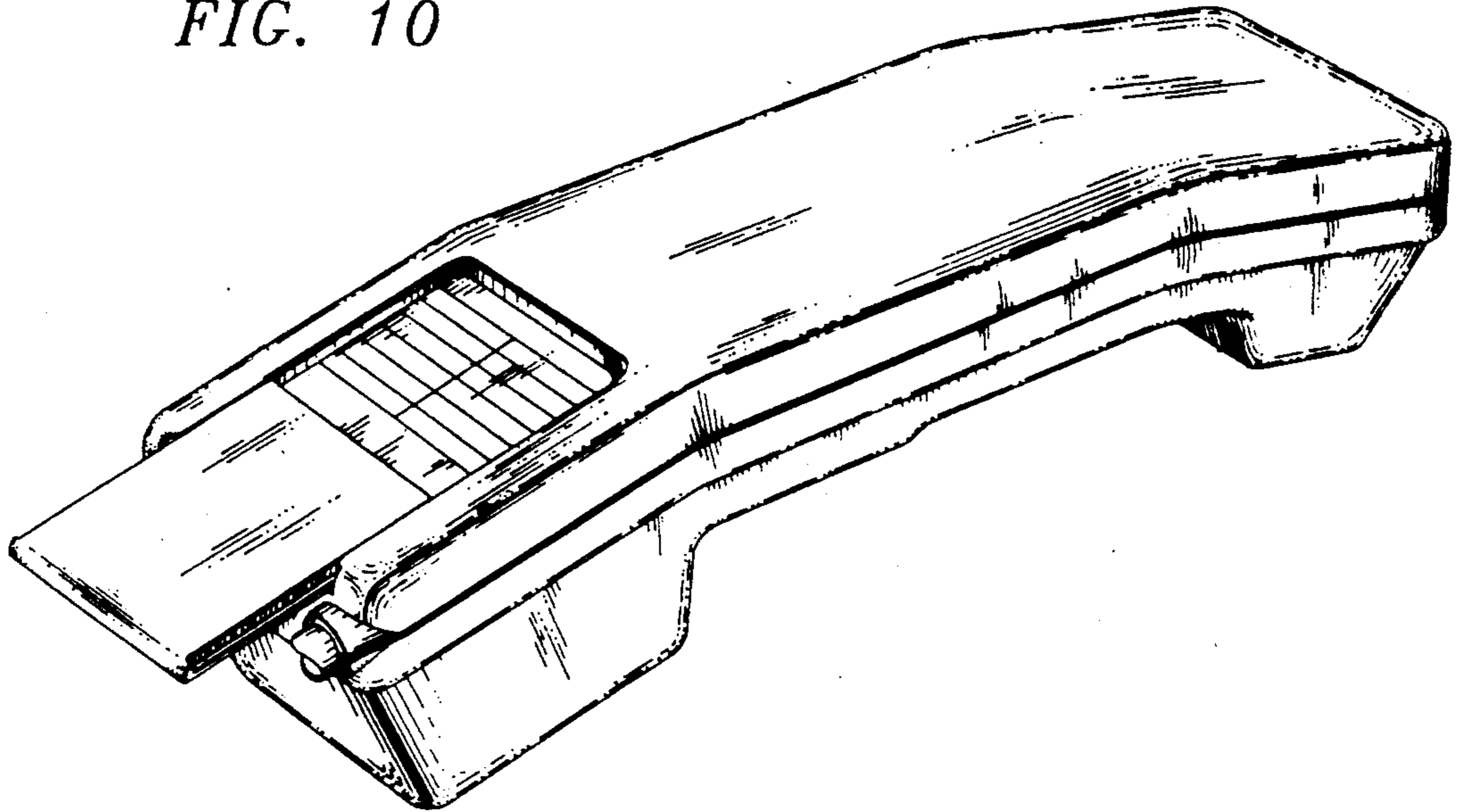


FIG. 11

