



US00D332609S

United States Patent [19]

[11] Patent Number: **Des. 332,609**

Cooper

[45] Date of Patent: **** Jan. 19, 1993**

[54] CELLULAR ANTENNA

[75] Inventor: **Gershon N. Cooper**, Encino, Calif.

[73] Assignee: **Alliance Research Corporation**, Chatsworth, Calif.

[**] Term: **14 Years**

[21] Appl. No.: **618,837**

[22] Filed: **Nov. 27, 1990**

[52] U.S. Cl. **D14/234**

[58] Field of Search **D14/230-238, D14/124, 217, 219; 343/711-713, 715, 872, 900, 906, 741, 748, 882, 720, 808, 805, 878, 795, 912, 873, 745, 749, 901, 903**

[56] **References Cited**

U.S. PATENT DOCUMENTS

D. 298,037	10/1988	Shimazaki	D14/234
D. 298,431	11/1988	Shimazaki	D14/234
D. 310,084	8/1990	Shimazaki	D14/238
D. 315,351	3/1991	Velazquez	D14/234
4,857,939	8/1989	Shimazaki	343/749 X

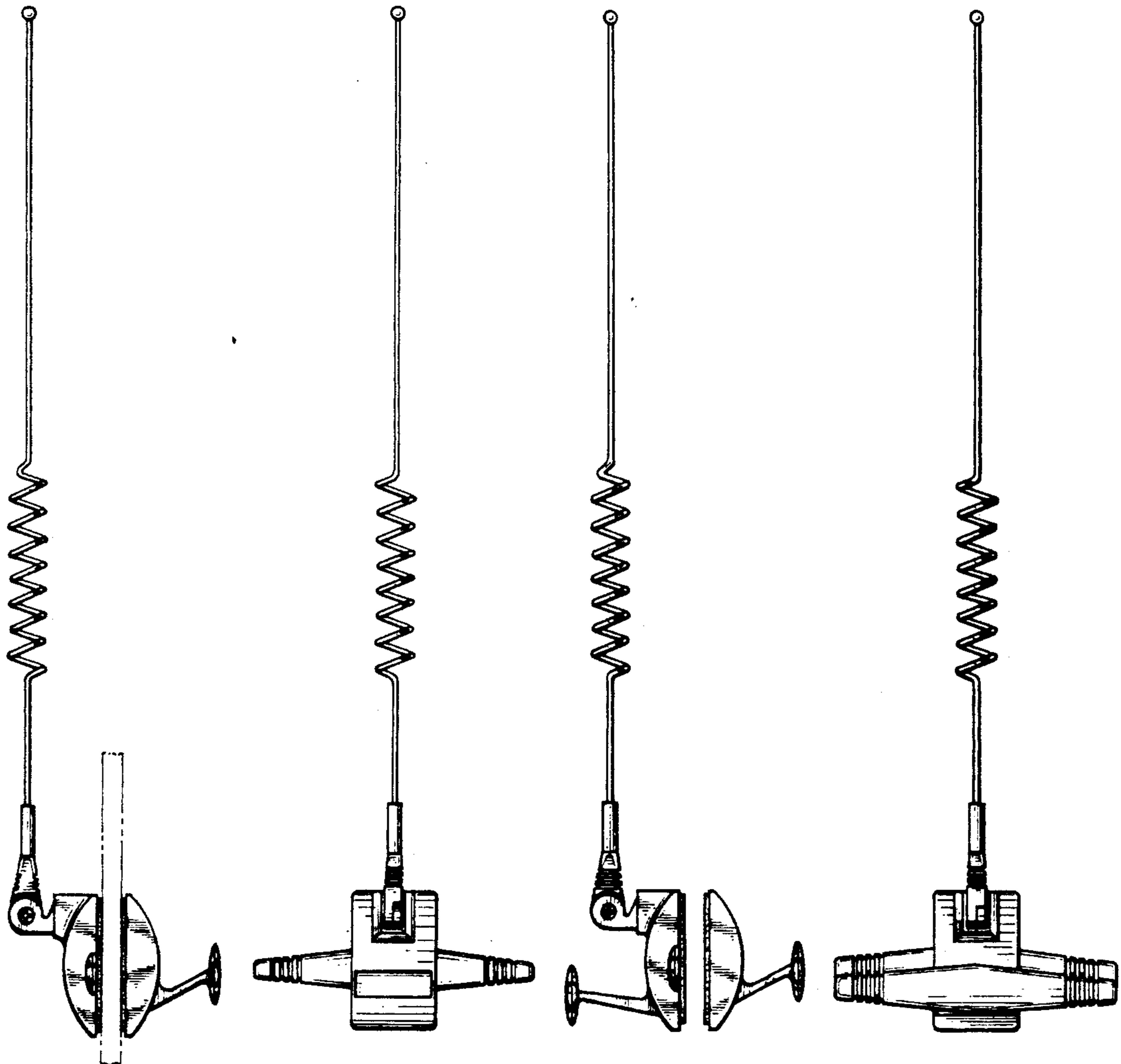
Primary Examiner—Theodore M. Shooman
Attorney, Agent, or Firm—Marvin H. Kleinberg

[57] **CLAIM**

The ornamental design for a cellular antenna, as shown and described.

DESCRIPTION

FIG. 1 is a right side elevational view of a cellular antenna showing my new design, the window glass is for illustrative purposes only;
 FIG. 2 is a front elevational view thereof;
 FIG. 3 is a left side elevational view thereof;
 FIG. 4 is a rear elevational view thereof;
 FIG. 5 is a top plan view thereof;
 FIG. 6 is a bottom plan view thereof;
 FIG. 7 is a right side elevational view of a second embodiment of the cellular antenna illustrated in FIG. 1;
 FIG. 8 is a front elevational view thereof;
 FIG. 9 is a left side elevational view thereof;
 FIG. 10 is a rear elevational view thereof;
 FIG. 11 is a top plan view thereof; and,
 FIG. 12 is a bottom plan view thereof.



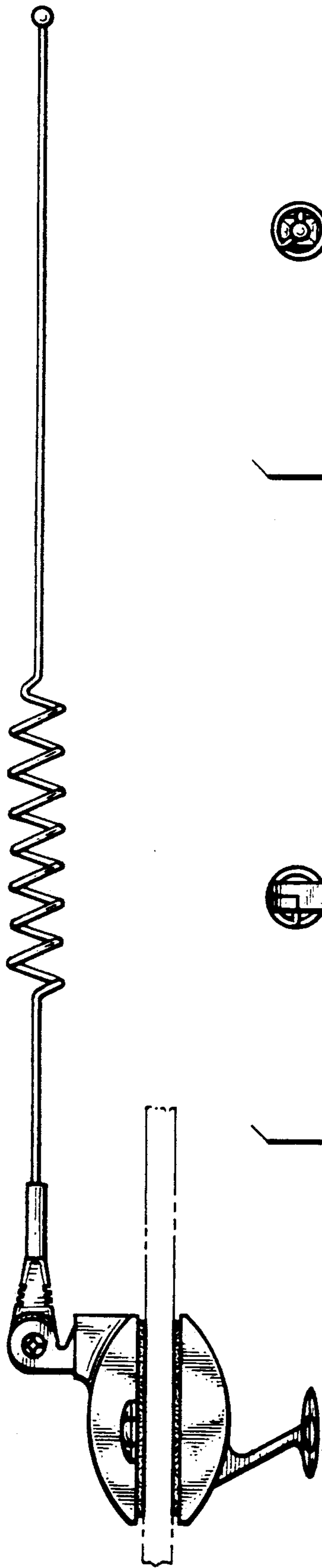


Fig. 1.

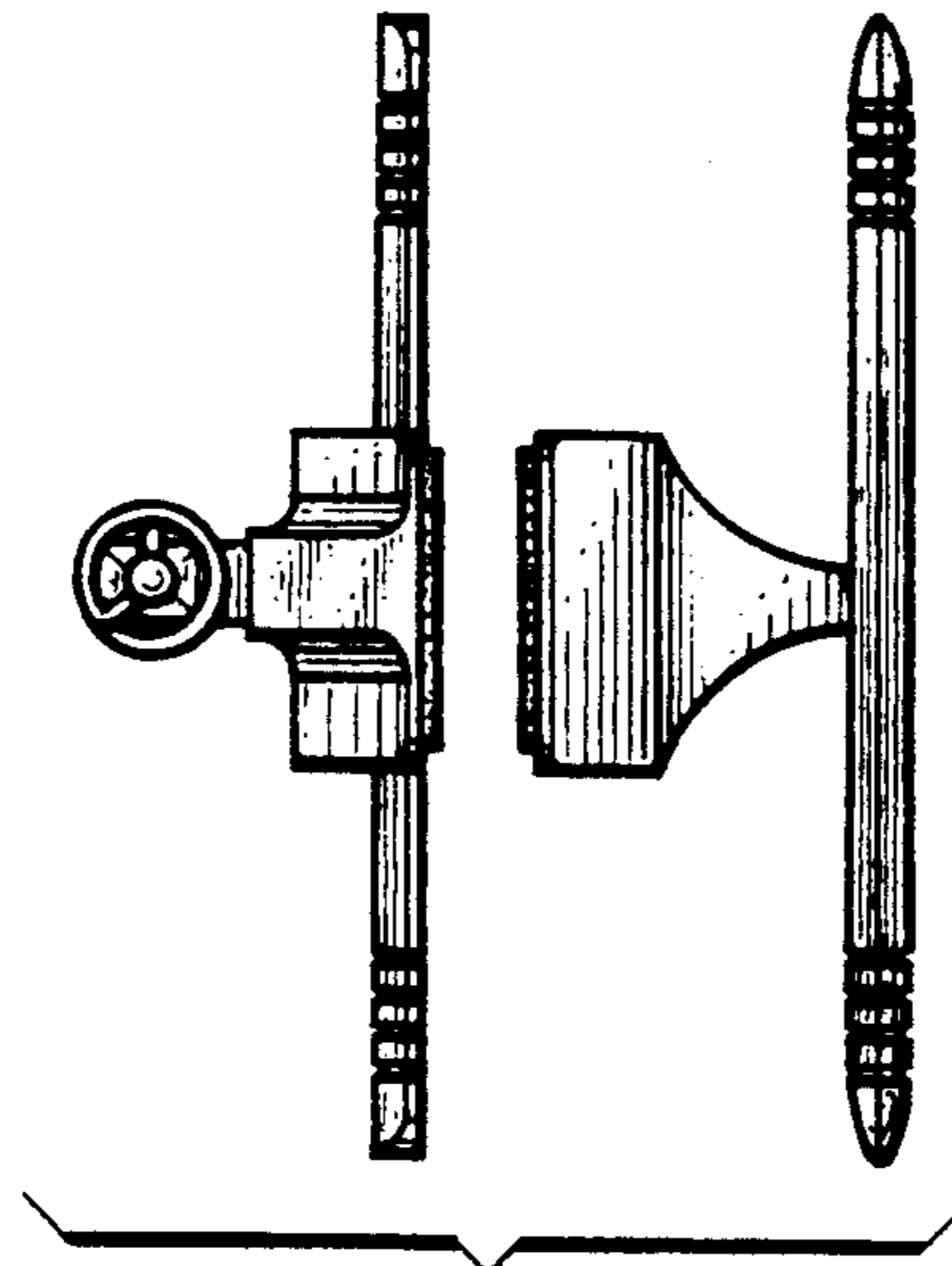


Fig. 5.

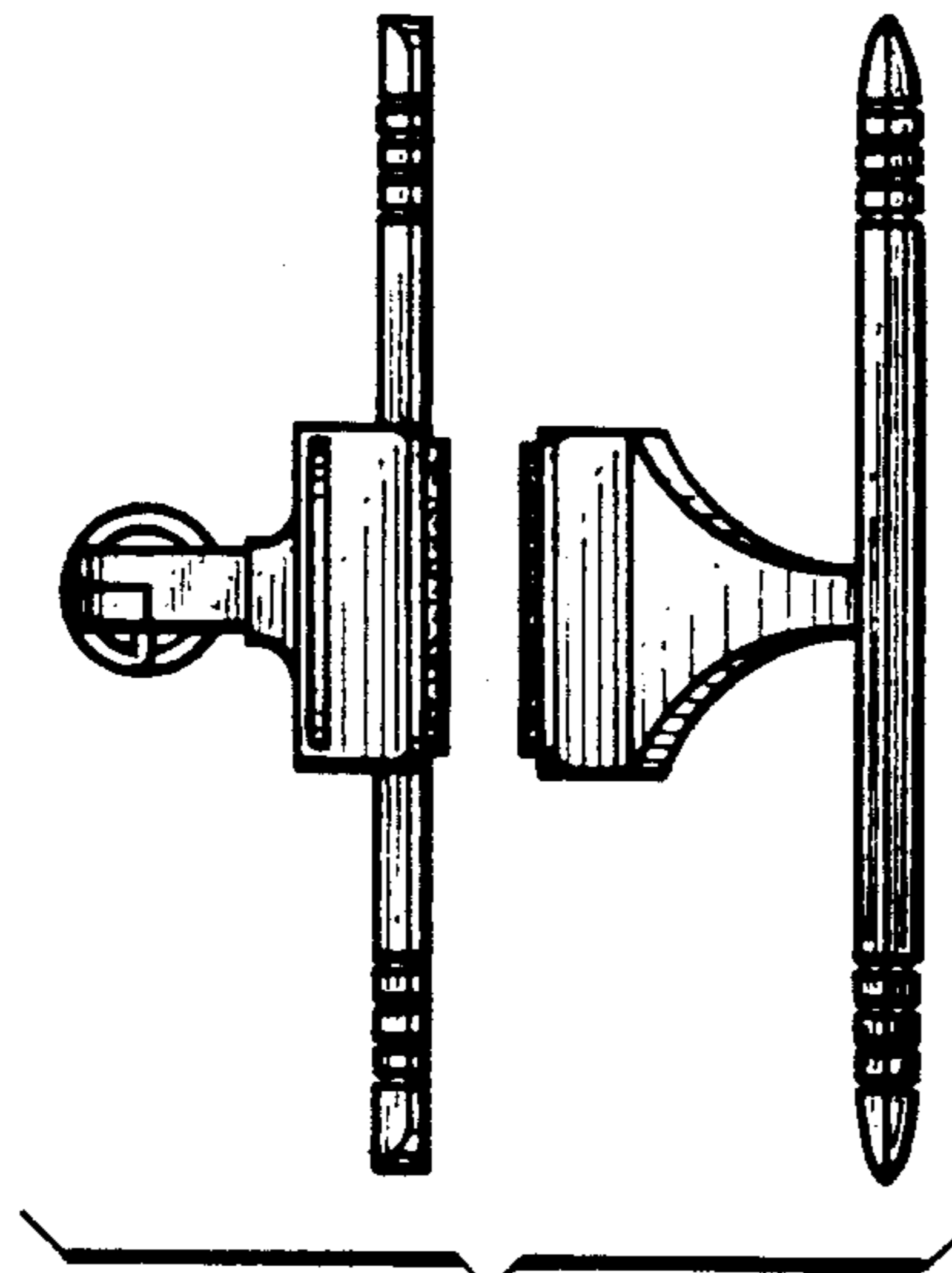


Fig. 6.

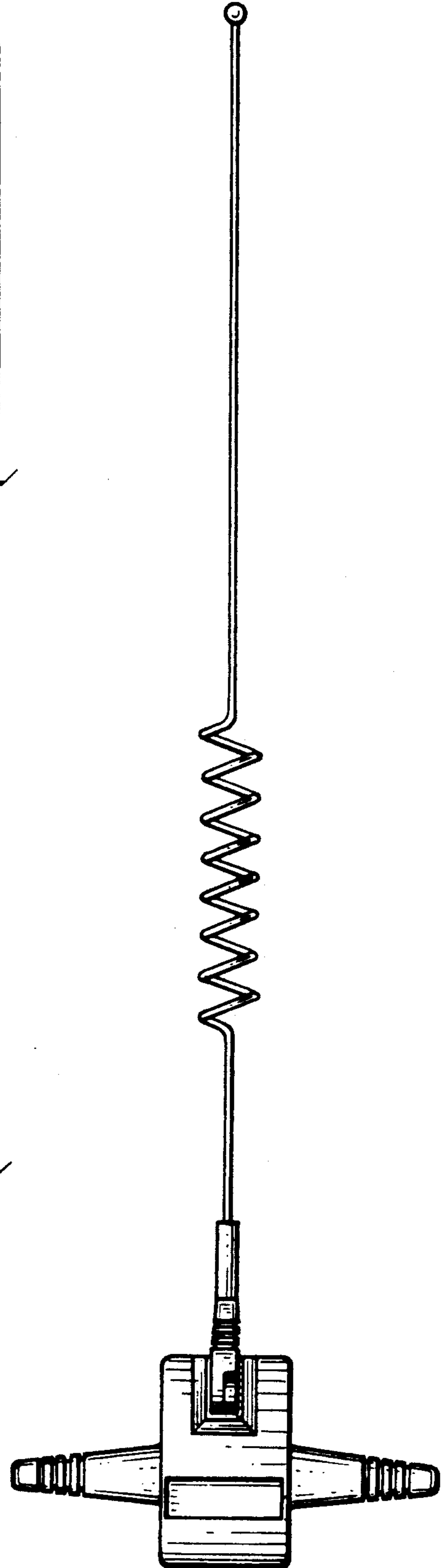


Fig. 2.

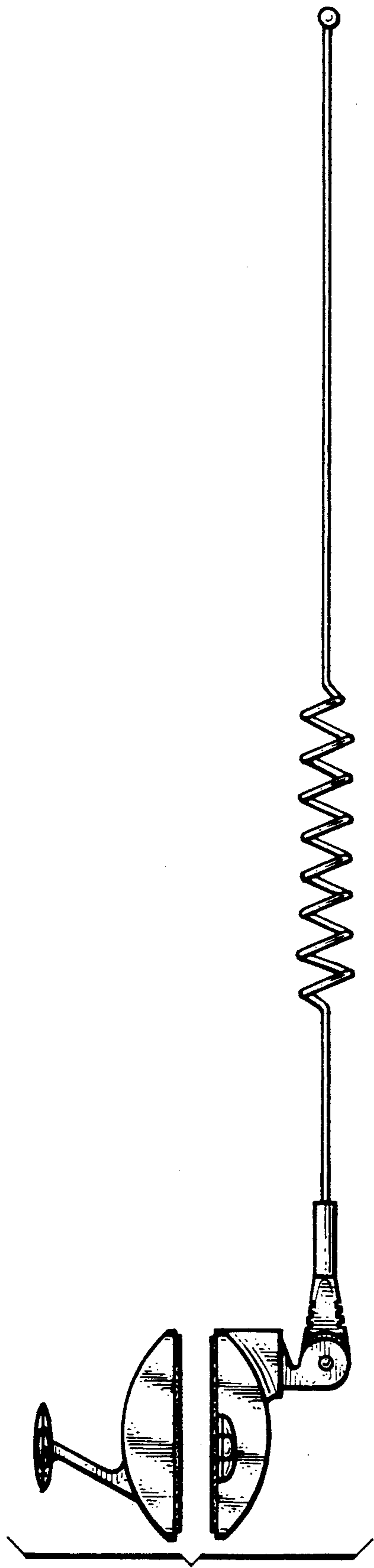


Fig. 3.

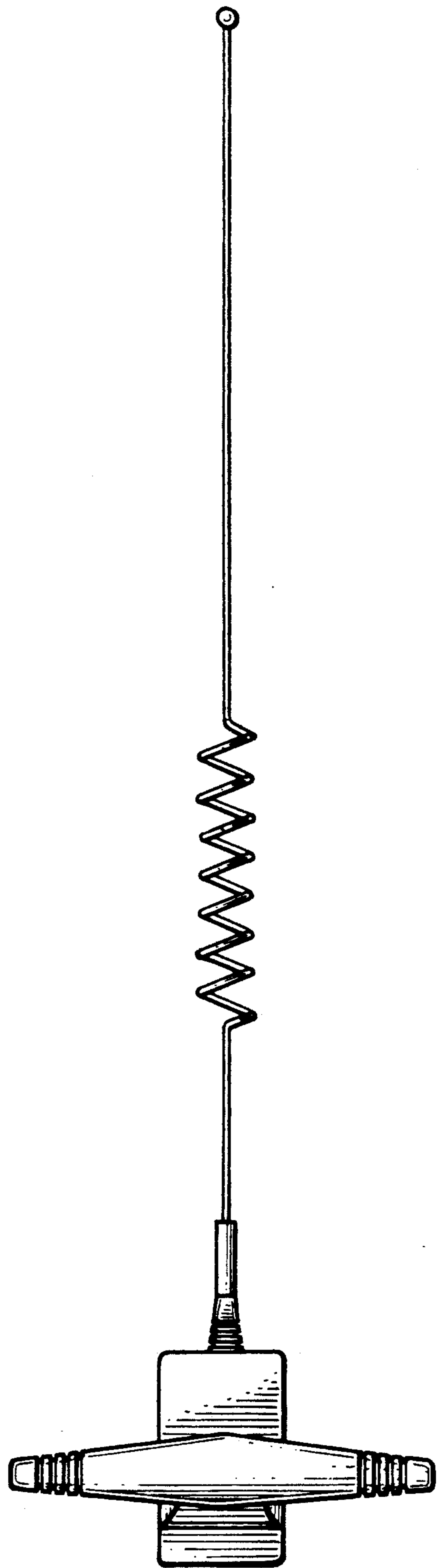


Fig. 4.

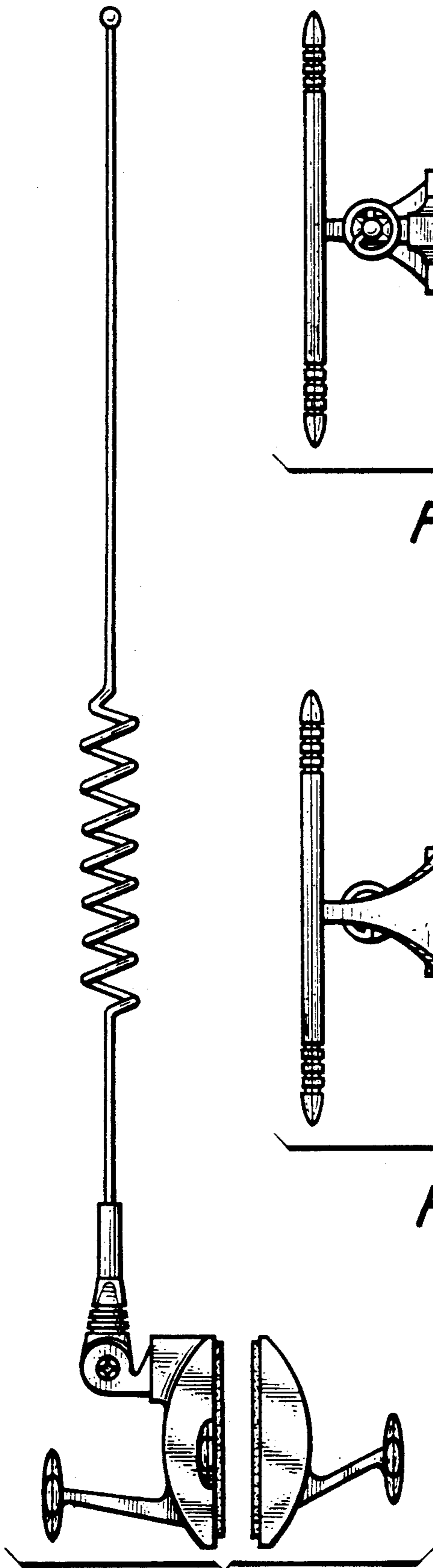


Fig. 7.

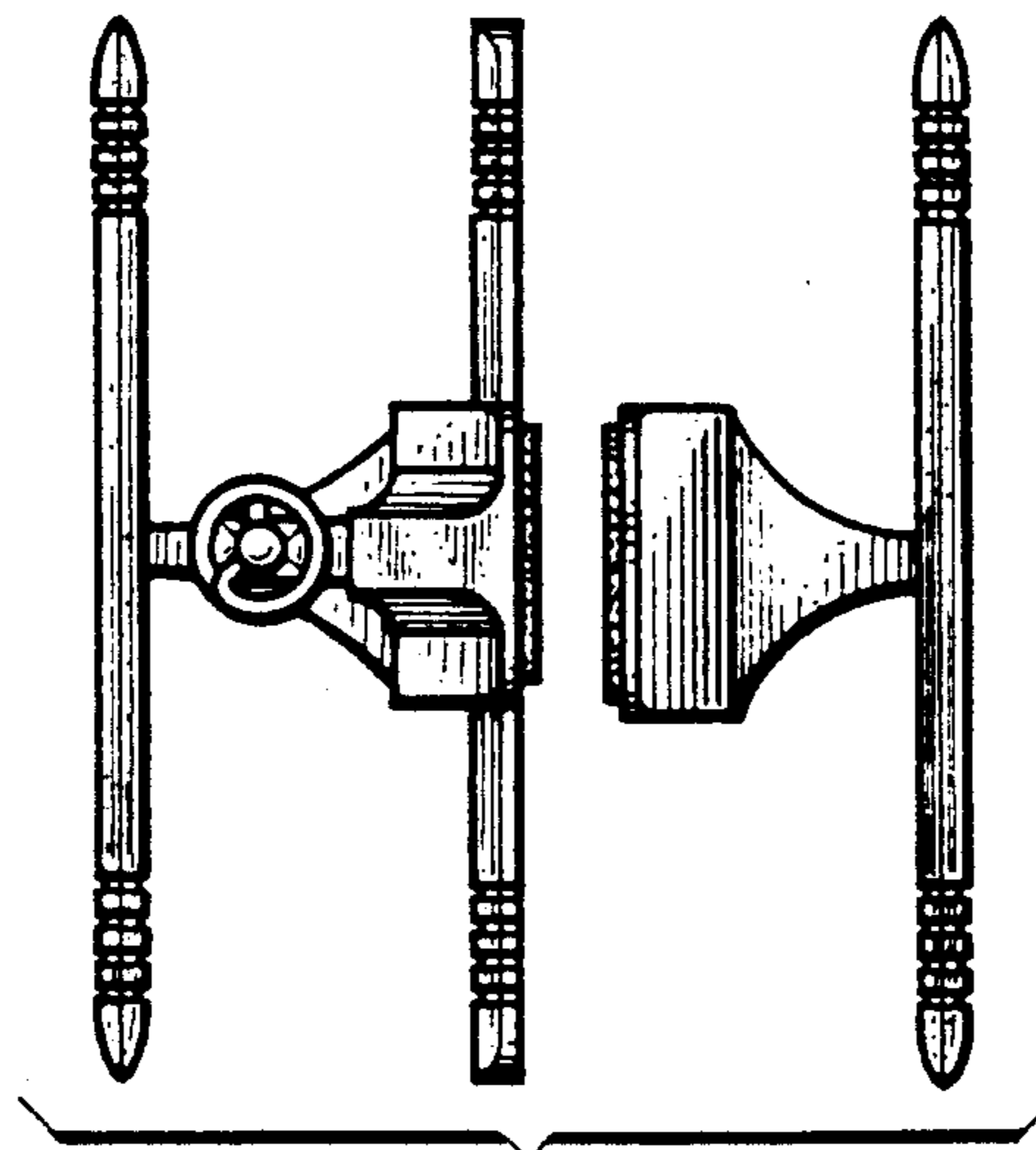


Fig. 11.

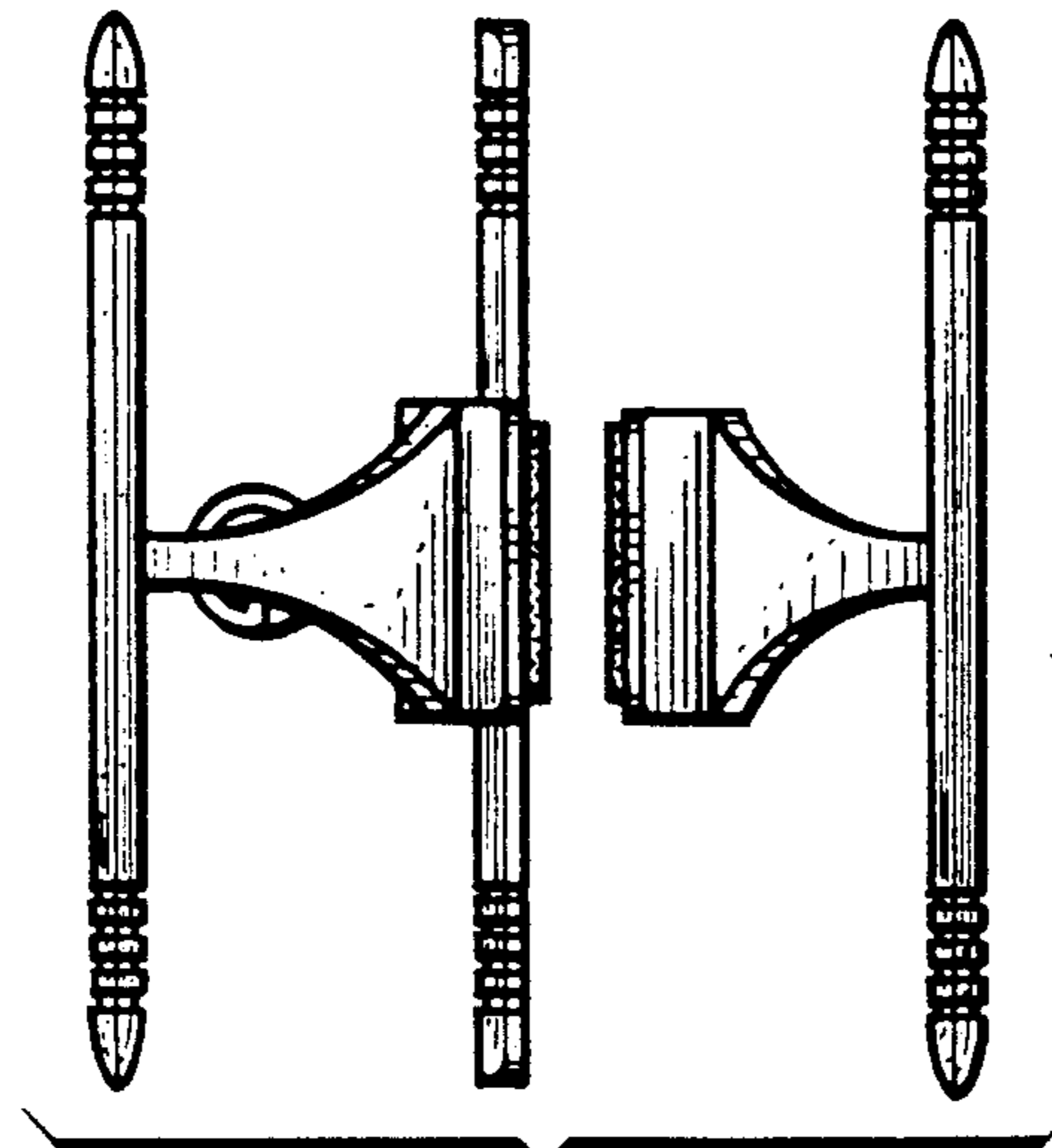


Fig. 12.

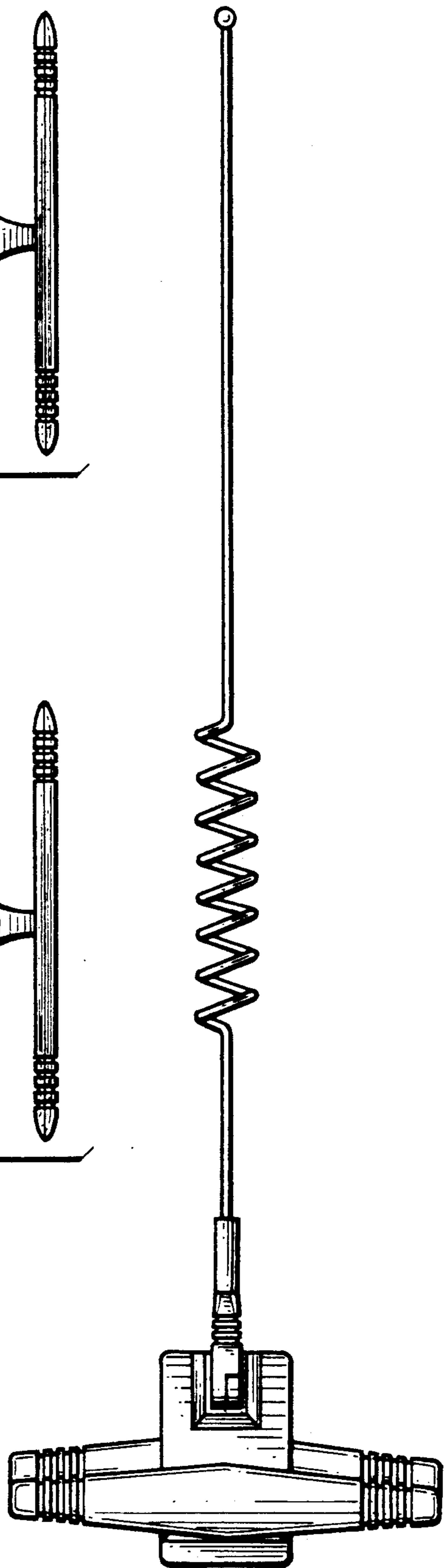


Fig. 8.

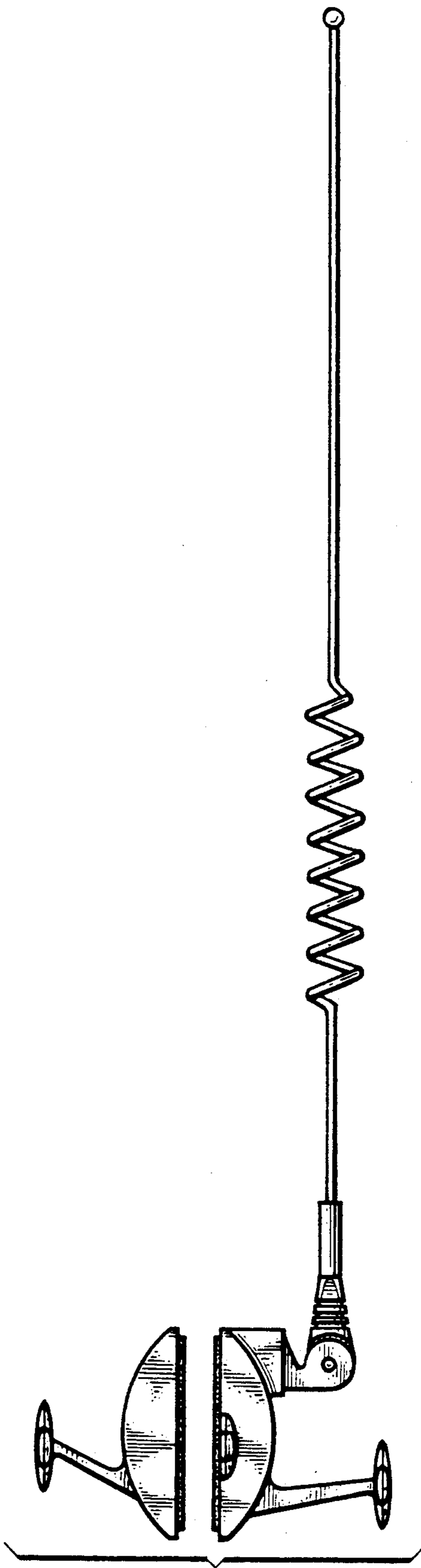


Fig. 9.

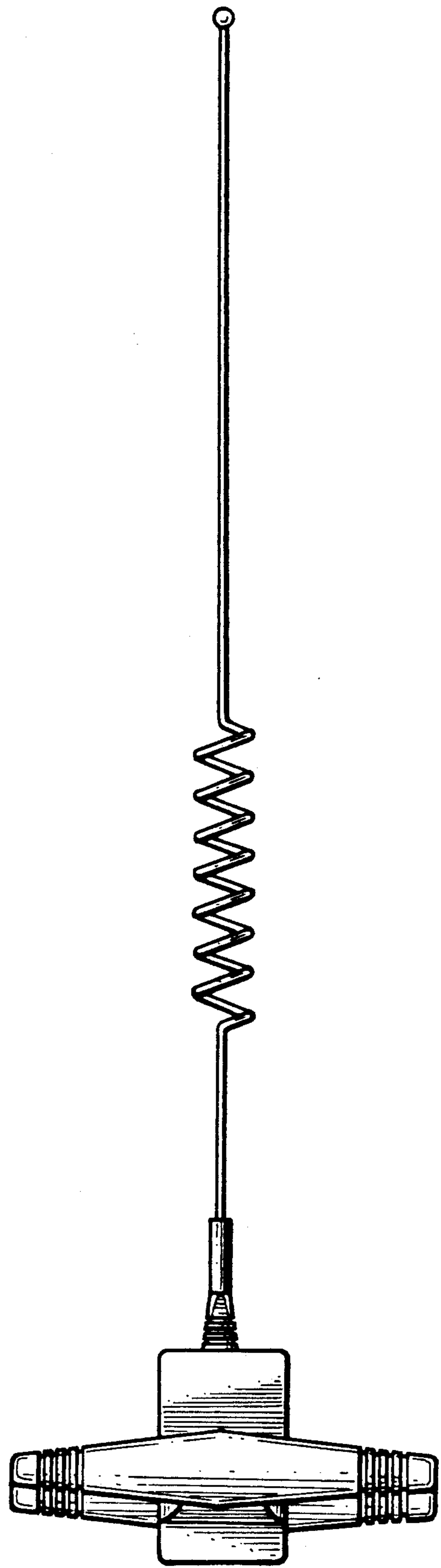


Fig. 10.