



US00D332602S

# United States Patent [19]

[11] Patent Number: **Des. 332,602**

**Kikuta et al.**

[45] Date of Patent: **\*\* Jan. 19, 1993**

## [54] ELECTRICAL CONNECTOR COVER CASE

[75] Inventors: **Shigeru Kikuta; Yoshikazu Hirata,**  
both of Tokyo, Japan

[73] Assignee: **Hirose Electric Co., Ltd.,** Tokyo,  
Japan

[\*\*] Term: **14 Years**

[21] Appl. No.: **670,773**

[22] Filed: **Mar. 18, 1991**

### [30] Foreign Application Priority Data

Sep. 17, 1990 [JP]	Japan	.....	2-30896
[52] U.S. Cl.	.....	<b>D13/154;</b>	D13/147
[58] Field of Search	.....	D13/146, 147;	439/345,
		439/368, 597,	625, 660, 727

### [56] References Cited

#### U.S. PATENT DOCUMENTS

D. 298,121	10/1988	Furuhashi	.....	D13/146
D. 317,149	5/1991	Phelps et al.	.....	D13/147
D. 317,591	6/1991	Matsuzaki	.....	D13/147
D. 318,265	7/1991	Esslinger	.....	D13/147
4,577,919	3/1986	Waters	.....	439/597

## OTHER PUBLICATIONS

Lemo audio plug on p. 76 *Lemousa, Inc "S" series Connector Catalog.*

PC cable connector on p. 34 of INMAC catalog copyright 1987.

RS-232 cable connector on p. 53 of Global catalog, 7-89.

Connector shell E on p. 193 of *Allied Electronics catalog*, copyright 1990.

*Primary Examiner*—Wallace R. Burke

*Assistant Examiner*—Joel Sincavage

*Attorney, Agent, or Firm*—Kanesaka & Takeuchi

## [57] CLAIM

The ornamental design for an electrical connector cover case, as shown and described.

## DESCRIPTION

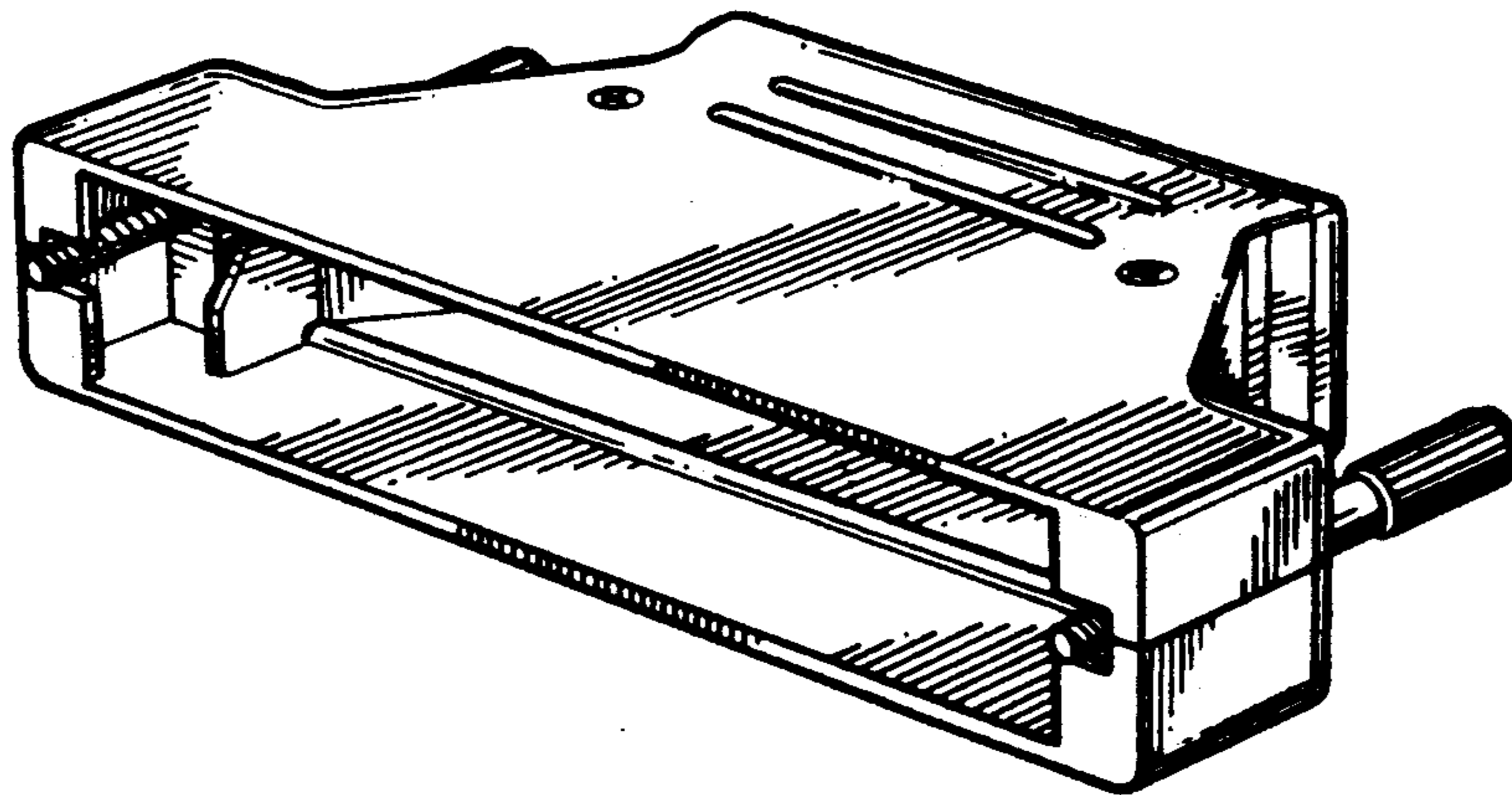
FIG. 1 is a perspective view of an electrical connector cover case showing an embodiment of our new design; FIG. 2 is a side elevational view thereof, the other side being a mirror image;

FIG. 3 is a bottom plan view thereof;

FIG. 4 is a rear elevational view thereof;

FIG. 5 is a top plan view thereof; and,

FIG. 6 is a front elevational view thereof.



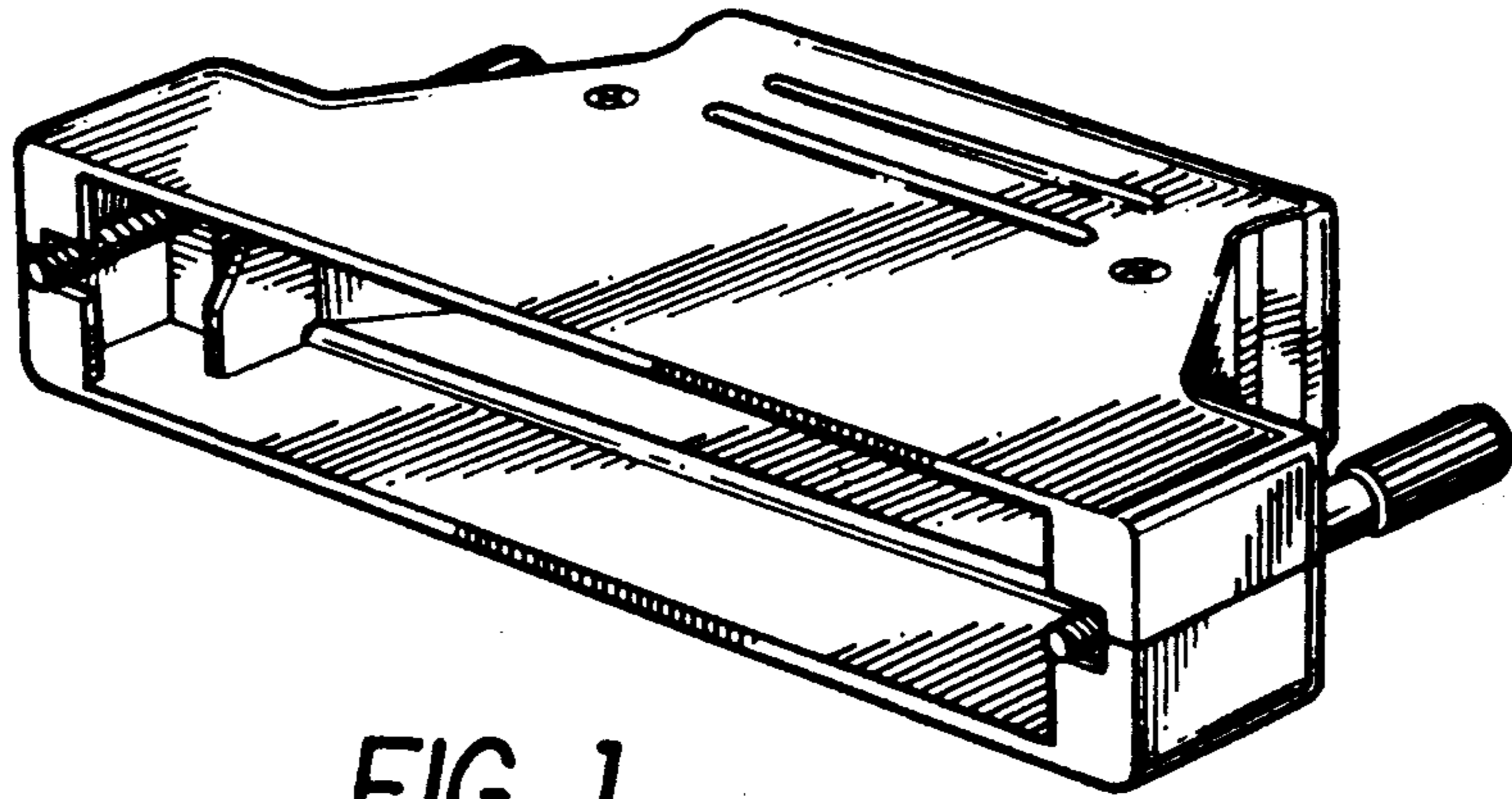


FIG. 1

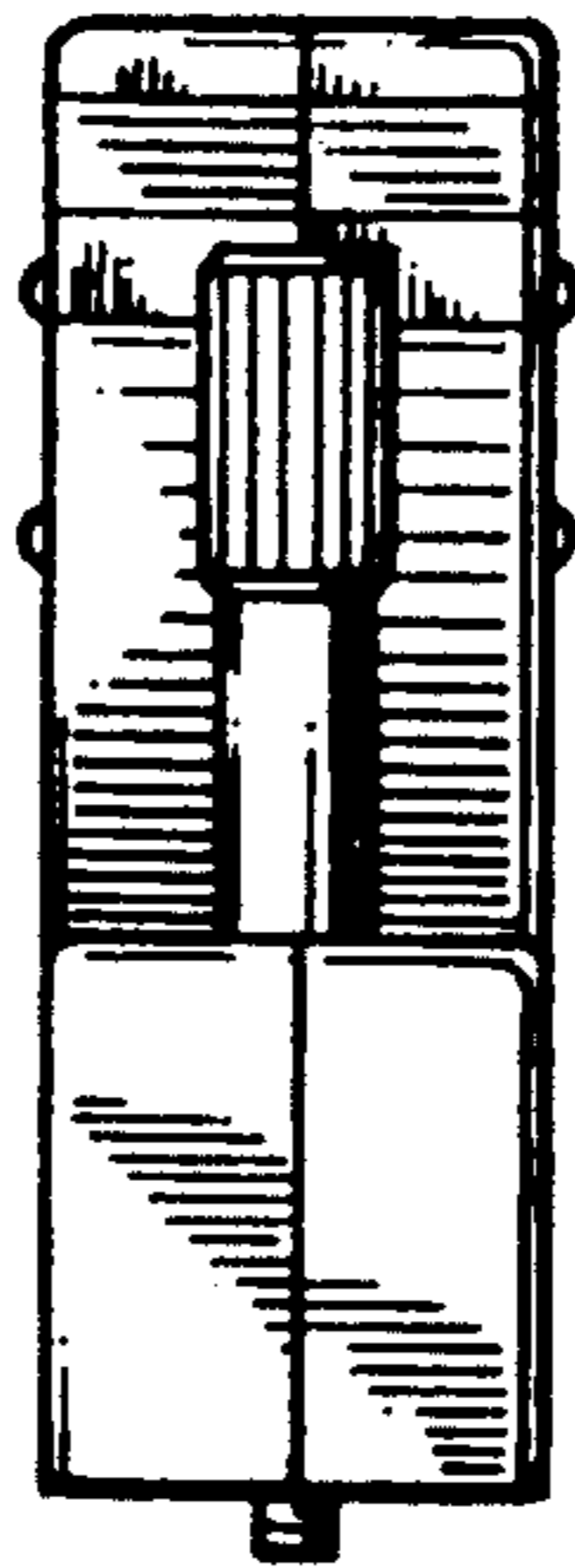


FIG. 2

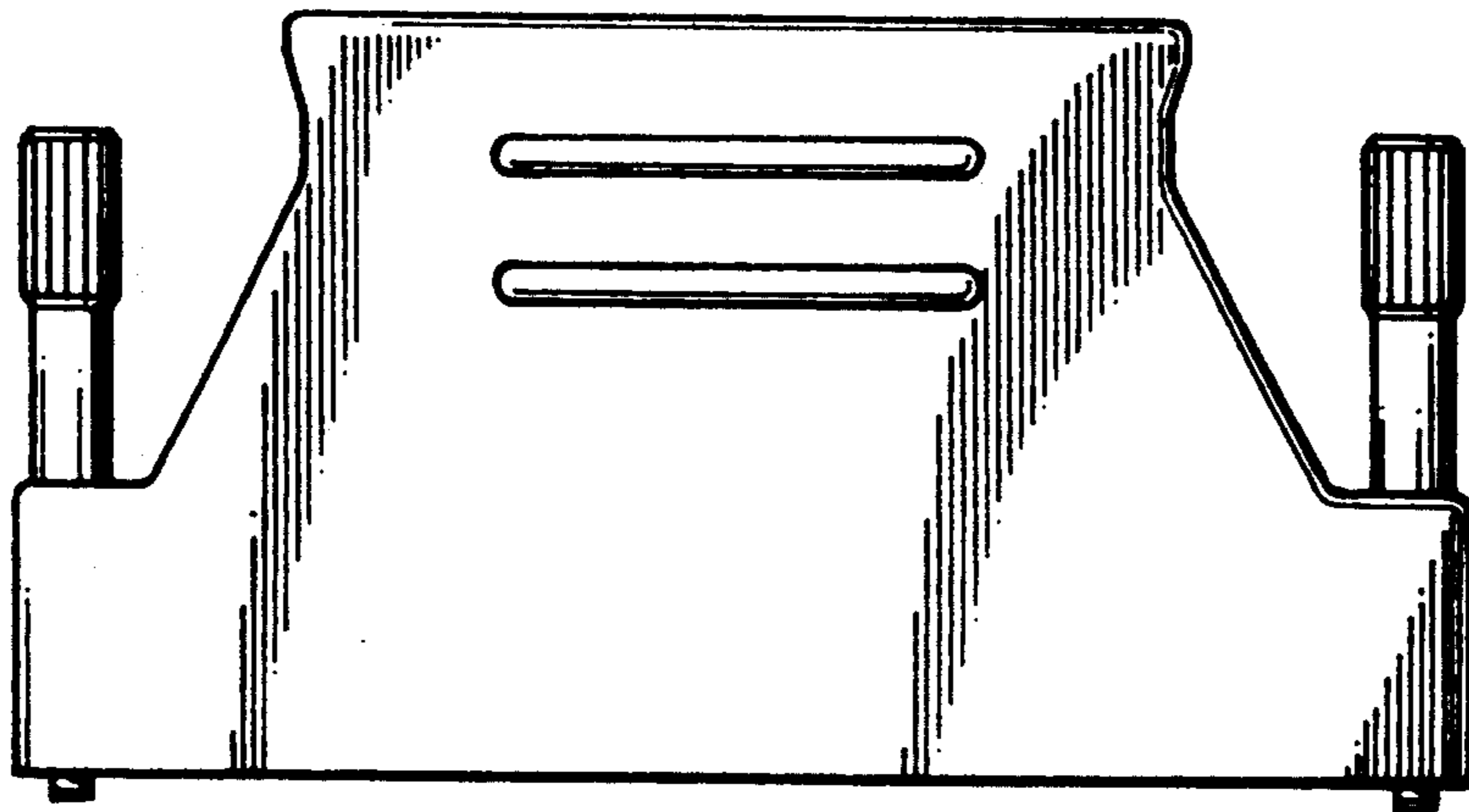


FIG. 3

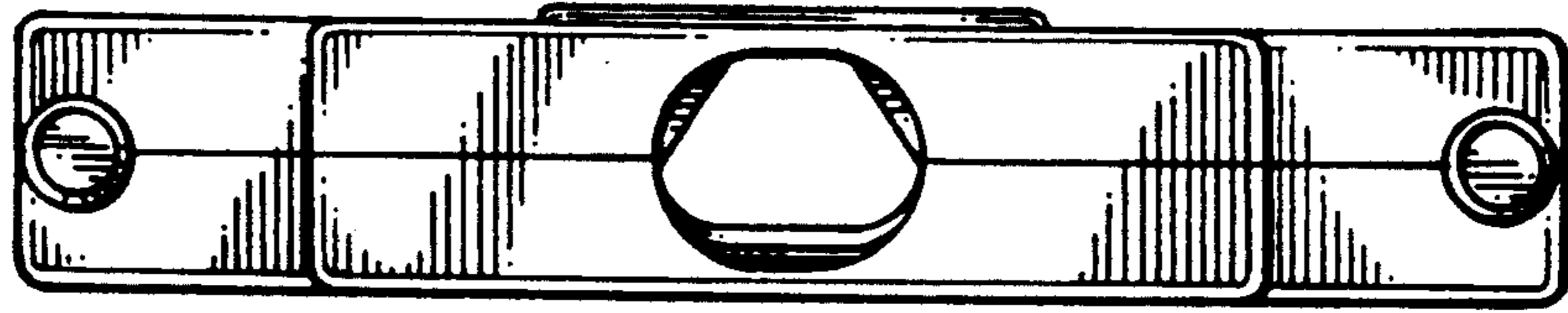


FIG. 4

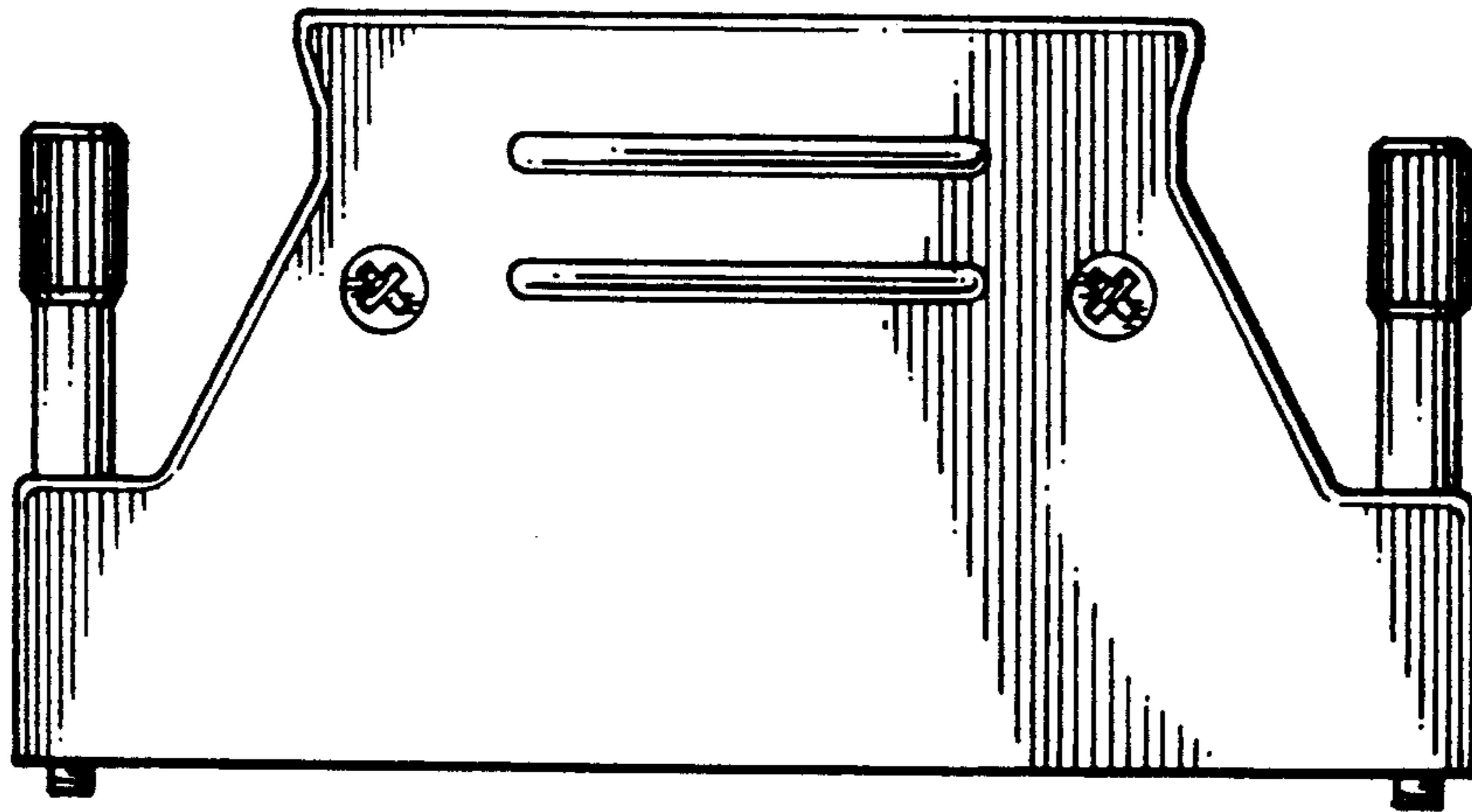


FIG. 5

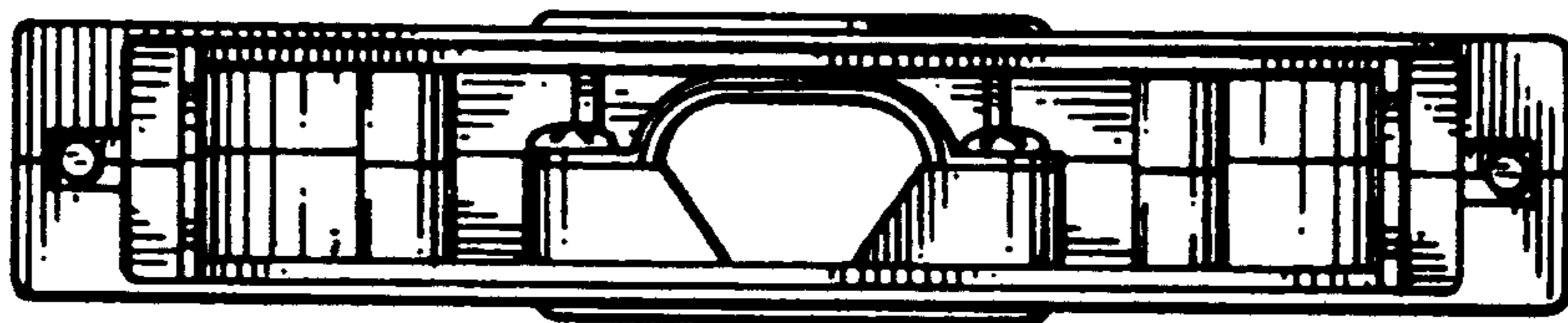


FIG. 6