



US00D332600S

United States Patent [19]

[11] Patent Number: Des. 332,600

Lucey et al.

[45] Date of Patent: ** Jan. 19, 1993

- [54] ELECTRICAL CONNECTOR FOR A COMMUNICATION HEADSET SYSTEM
- [75] Inventors: Robert E. Lucey, Sudbury; Robert M. Kelly, Burlington, both of Mass.
- [73] Assignee: Unex Corporation, Chelmsford, Mass.
- [**] Term: 14 Years
- [21] Appl. No.: 756,376
- [22] Filed: Sep. 9, 1991
- [52] U.S. Cl. D13/147
- [58] Field of Search D13/133, 146, 147; 439/282, 292, 345, 346, 352, 353, 354, 357, 358, 374, 483, 594, 598

- [56] **References Cited**
- U.S. PATENT DOCUMENTS**
- D. 254,847 4/1980 Healey D13/147
- 4,008,940 2/1977 Foley 439/354
- 4,146,291 3/1979 Goff et al. 439/353 X
- 4,702,538 10/1987 Hutter et al. 439/292
- 4,934,959 6/1990 Zielinski et al. 439/598 X
- FOREIGN PATENT DOCUMENTS**
- 1026391 3/1958 Fed. Rep. of Germany 439/345

OTHER PUBLICATIONS

Connectors 206 and 207 in Anderson Power Products brochure ©1969.

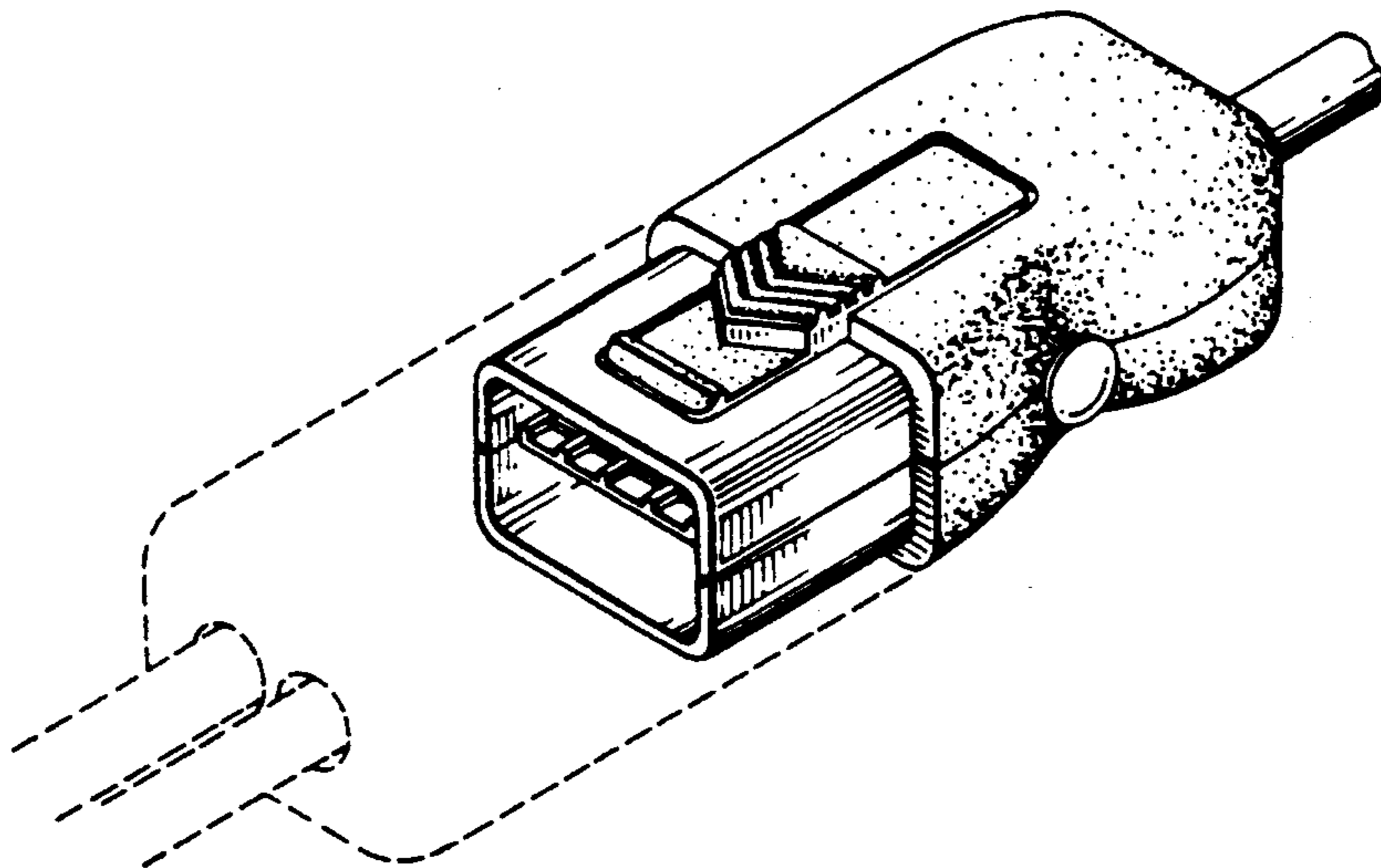
Primary Examiner—Wallace R. Burke
Assistant Examiner—Joel Sincavage
Attorney, Agent, or Firm—Weingarten, Schurgin, Gagnebin & Hayes

[57] CLAIM

The ornamental design for a electrical connector for a communication headset system, as shown and described.

DESCRIPTION

FIG. 1 is a front and upper right perspective view of an electrical connector for a communication headset system showing our new design. The broken line showing of the corresponding connector is included for the purpose of illustrating environmental elements only and forms no part of the claimed design; FIG. 2 is a top plan view thereof; FIG. 3 is a bottom plan view thereof; FIG. 4 is a rear elevational view thereof; FIG. 5 is a front elevational view thereof; FIG. 6 is a right side elevational view thereof; and, FIG. 7 is a left side elevational view thereof.



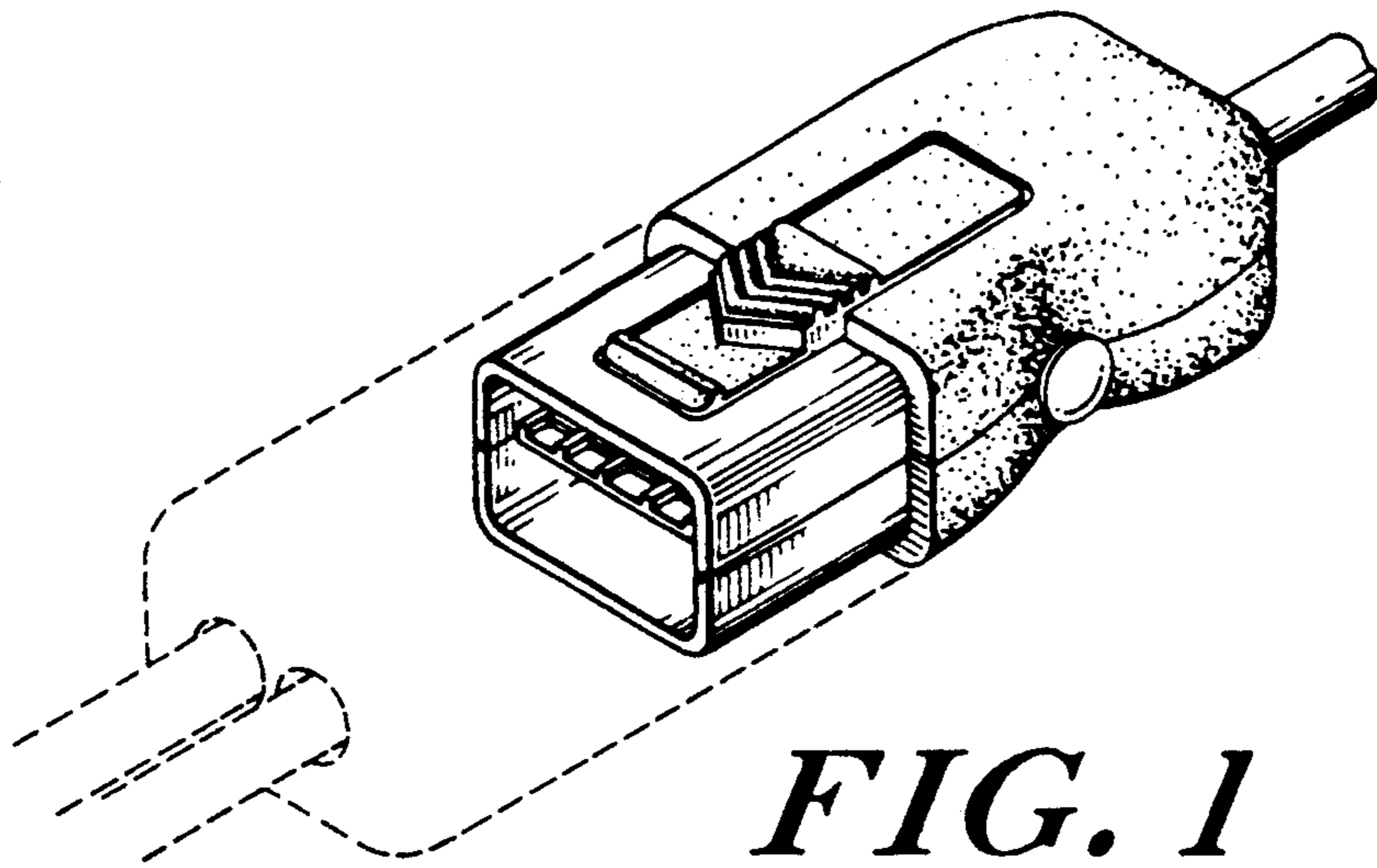


FIG. 1

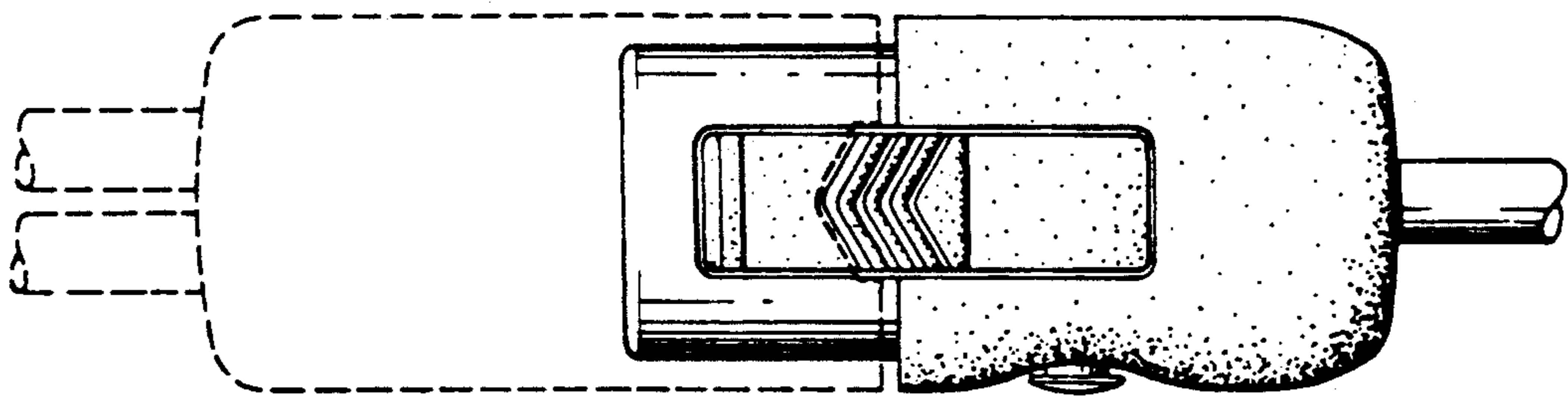


FIG. 2

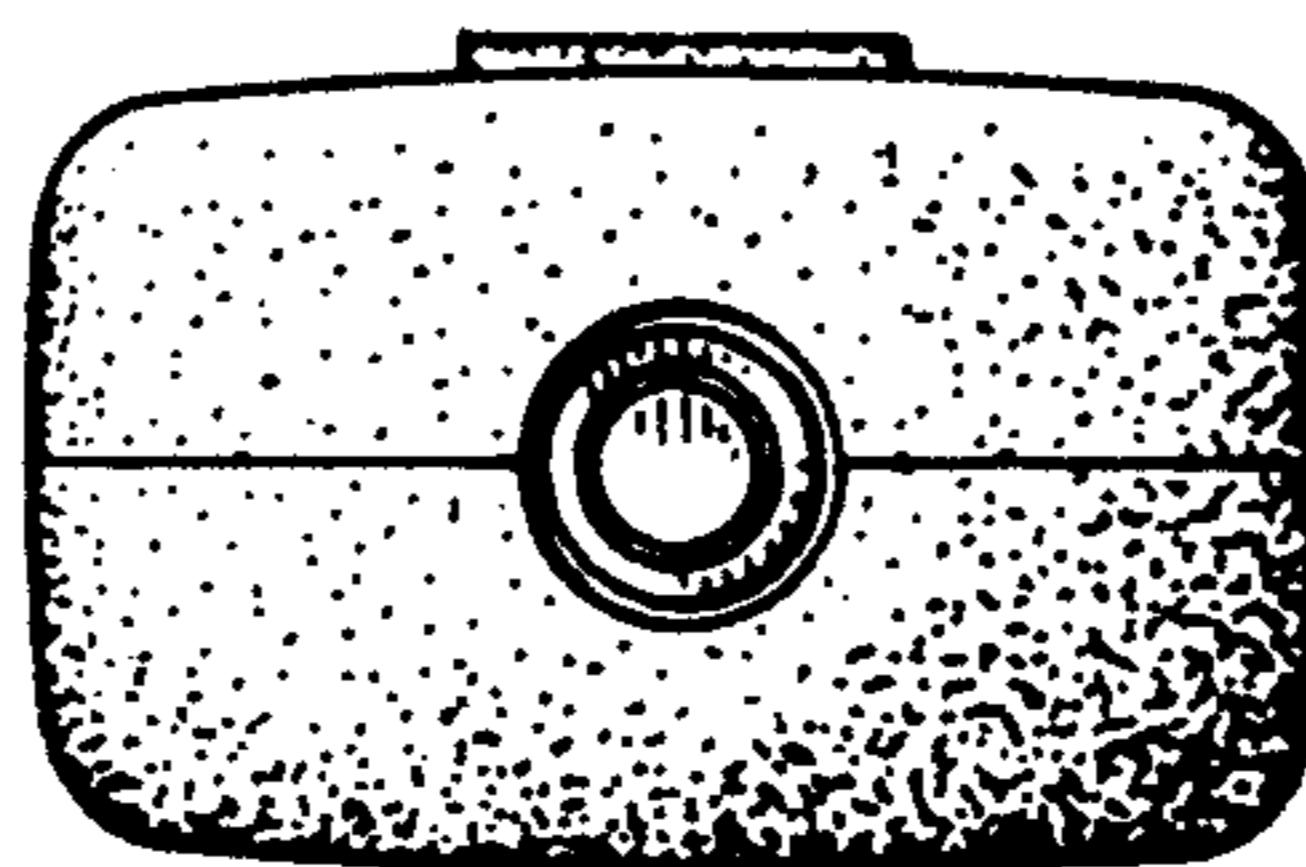


FIG. 4

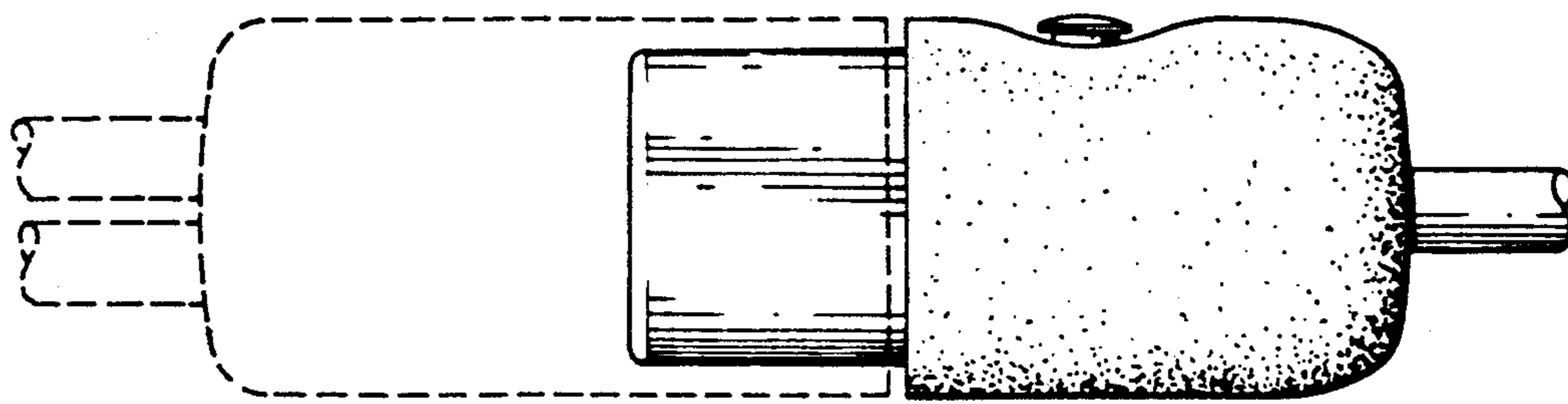


FIG. 3

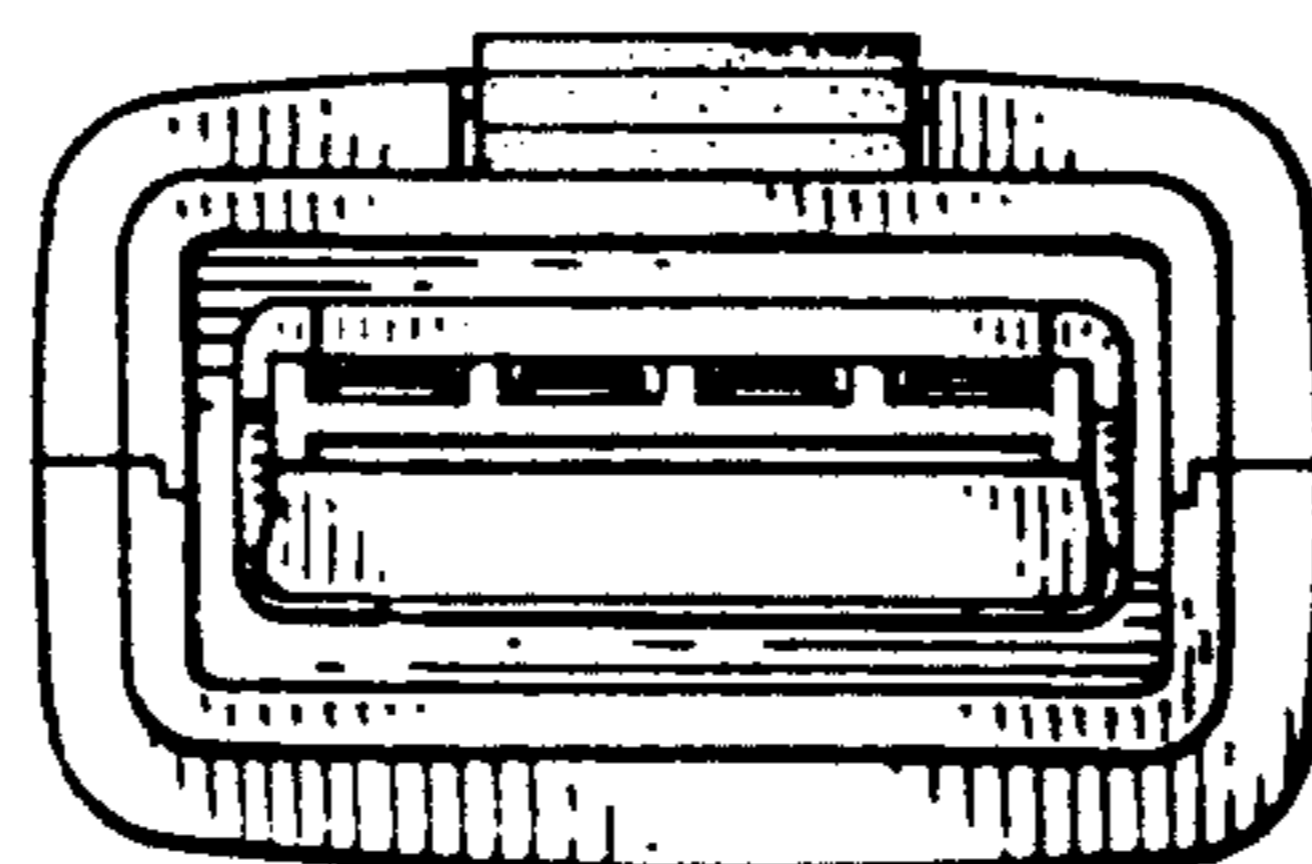


FIG. 5

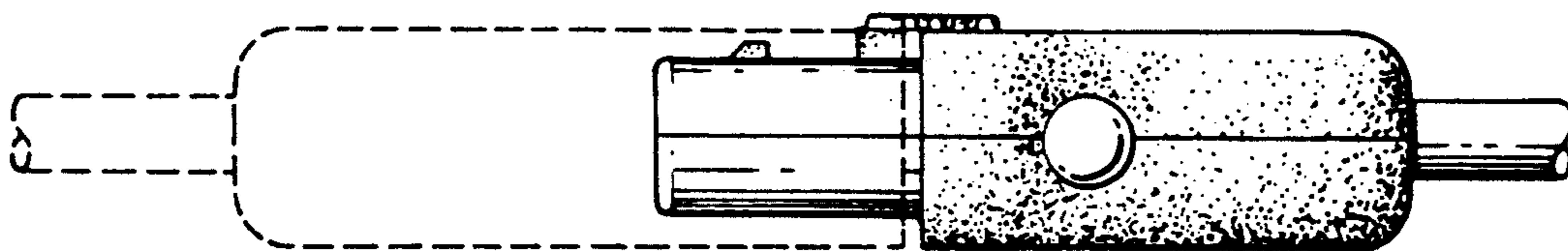


FIG. 6

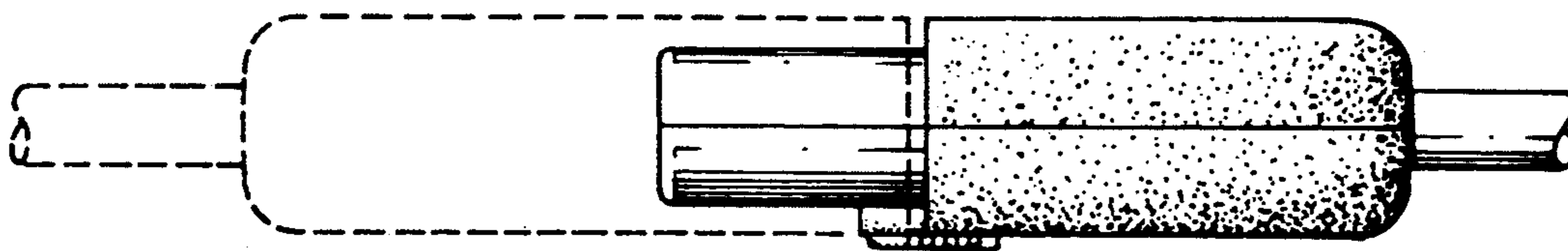


FIG. 7