



US00D332597S

United States Patent [19]

[11] Patent Number: **Des. 332,597**

Dalgleish

[45] Date of Patent: **** Jan. 19, 1993**

[54] **LOUDSPEAKER CONNECTOR PLUG**

[75] Inventor: **Martin J. Dalgleish**, Glasgow, Scotland

[73] Assignee: **Linn Products Limited**, Glasgow, Scotland

[**] Term: **14 Years**

[21] Appl. No.: **643,660**

[22] Filed: **Jan. 18, 1991**

[30] **Foreign Application Priority Data**

Jul. 19, 1990 [GB] United Kingdom 2008390

[52] U.S. Cl. **D13/133**

[58] Field of Search D13/133, 156; D14/221; 439/582, 694

[56] **References Cited**

U.S. PATENT DOCUMENTS

| | | | | |
|------------|--------|-------------------|-------|-----------|
| 75,859 | 7/1928 | McCall | | D14/221 |
| D. 324,034 | 2/1992 | Williams | | D13/156 |
| 4,892,491 | 1/1990 | Budano, II et al. | | 439/582 |
| 4,911,660 | 3/1990 | Alf et al. | | 439/582 X |

FOREIGN PATENT DOCUMENTS

| | | | | |
|---------|--------|----------------------|-------|---------|
| 0925840 | 3/1955 | Fed. Rep. of Germany | | 439/582 |
| 0984257 | 2/1965 | United Kingdom | | 439/621 |

OTHER PUBLICATIONS

Connector No. 255 on p. 8 of HHSmith Catalog No. 820, 1983.

Phono plugs on pp. 3-11 of Switchcraft Catalog C90, copyright 1989.

Right angle cord plug on p. 3 of Switchcraft Audio Connectors Catalog No. C-503, 1985.

Primary Examiner—Wallace R. Burke

Assistant Examiner—Joel Sincavage

Attorney, Agent, or Firm—Ratner & Prestia

[57] **CLAIM**

The ornamental design for loudspeaker connector plug, as shown and described.

DESCRIPTION

FIG. 1 is a rear and upper left perspective view of a loudspeaker connector plug showing my new design; FIG. 2 is a front and lower right perspective view thereof;

FIG. 3 is a right side elevational view thereof;

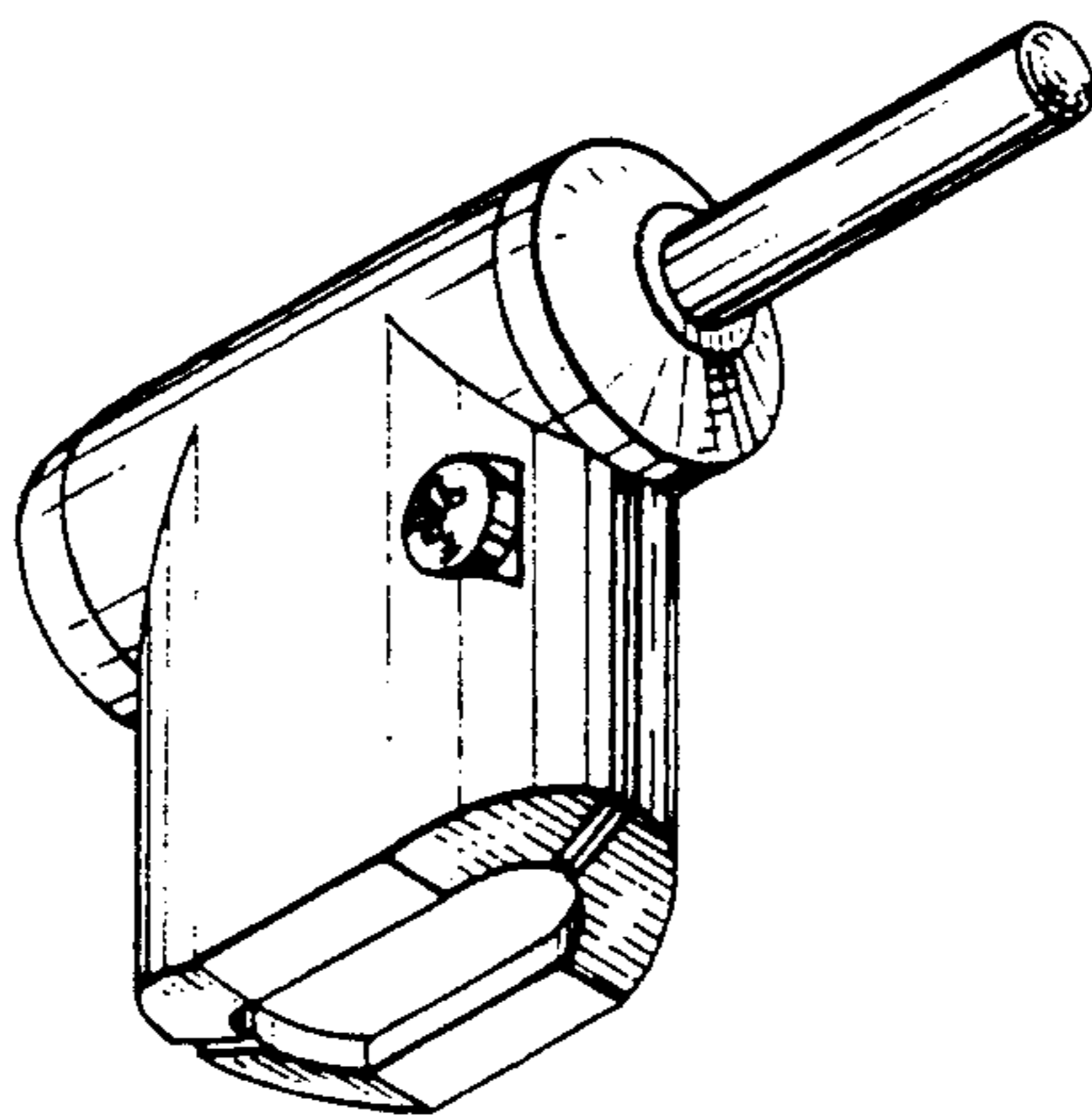
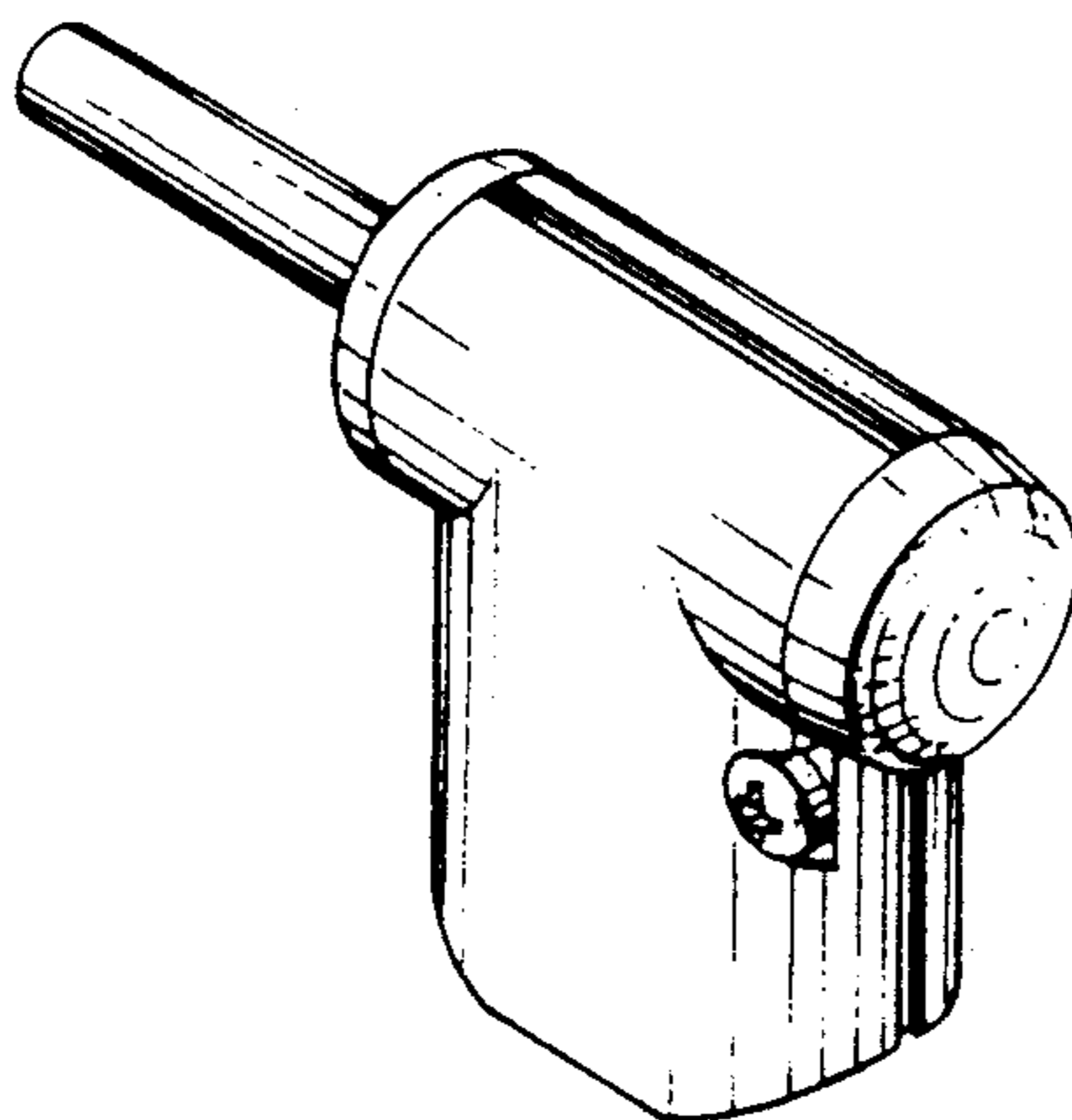
FIG. 4 is a left side elevational view thereof;

FIG. 5 is a top plan view thereof;

FIG. 6 is a bottom plan view thereof;

FIG. 7 is a front elevational view thereof; and,

FIG. 8 is a rear elevational view thereof.



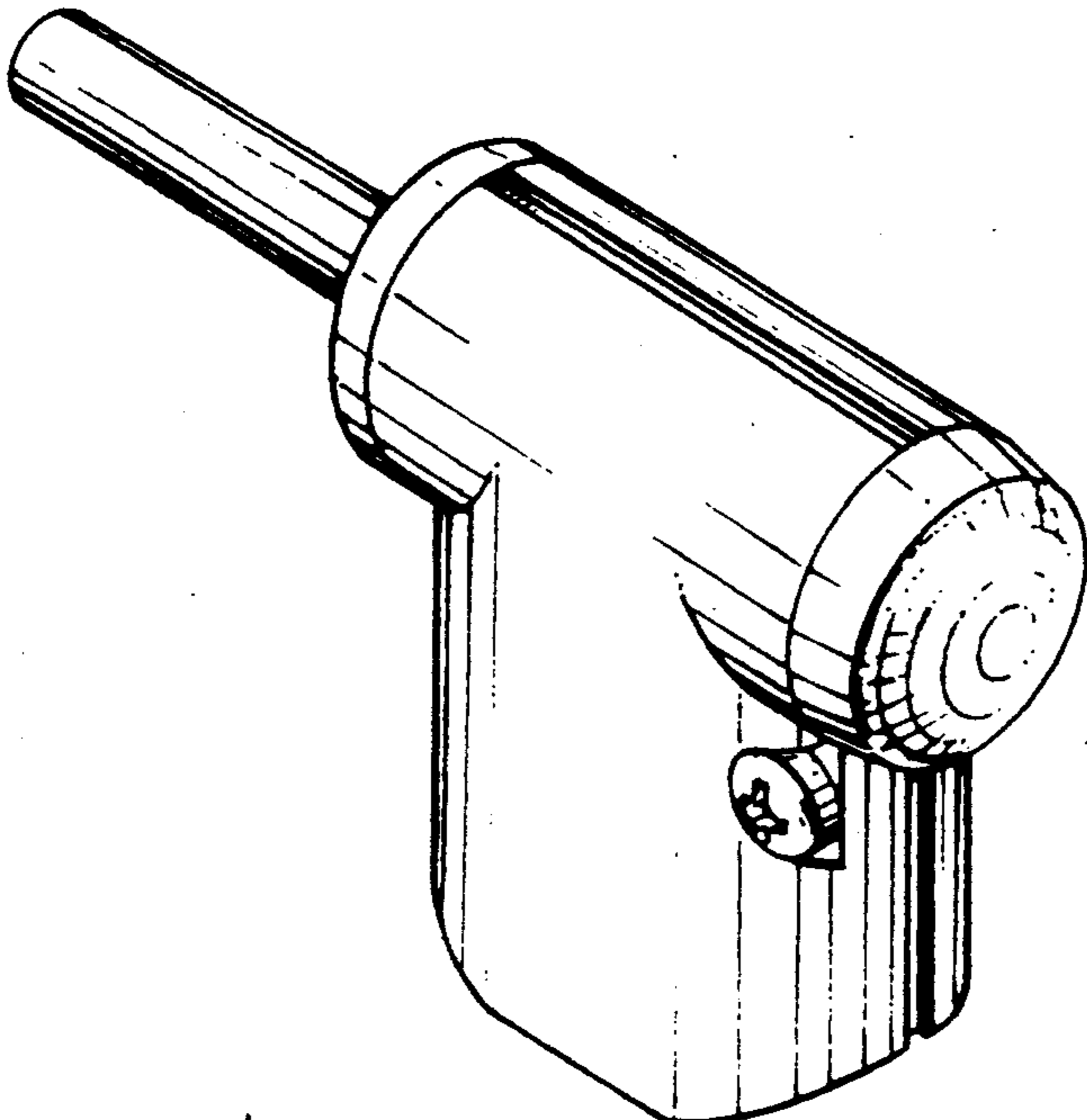


FIG. 1

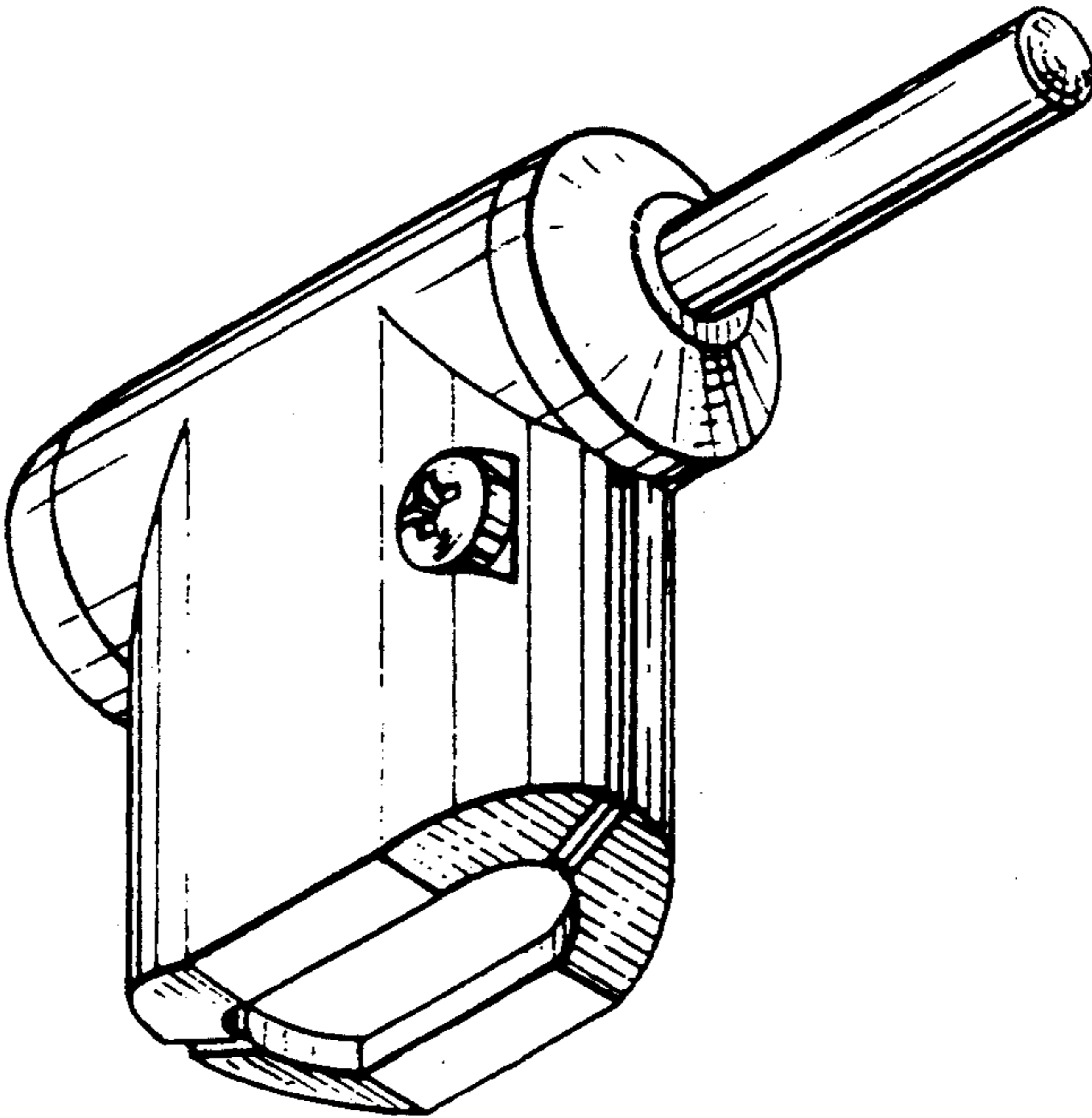


FIG. 2

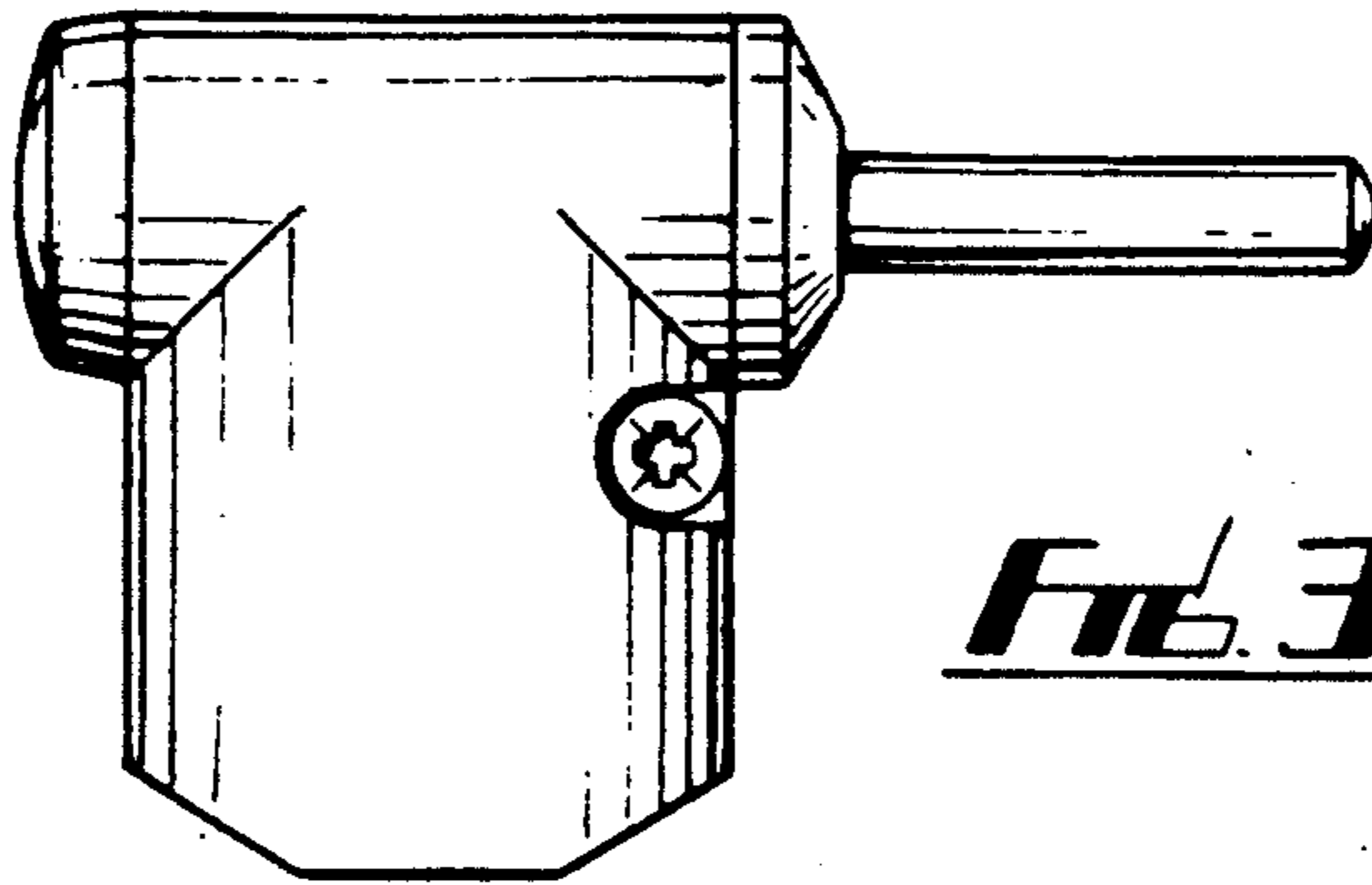


FIG. 3

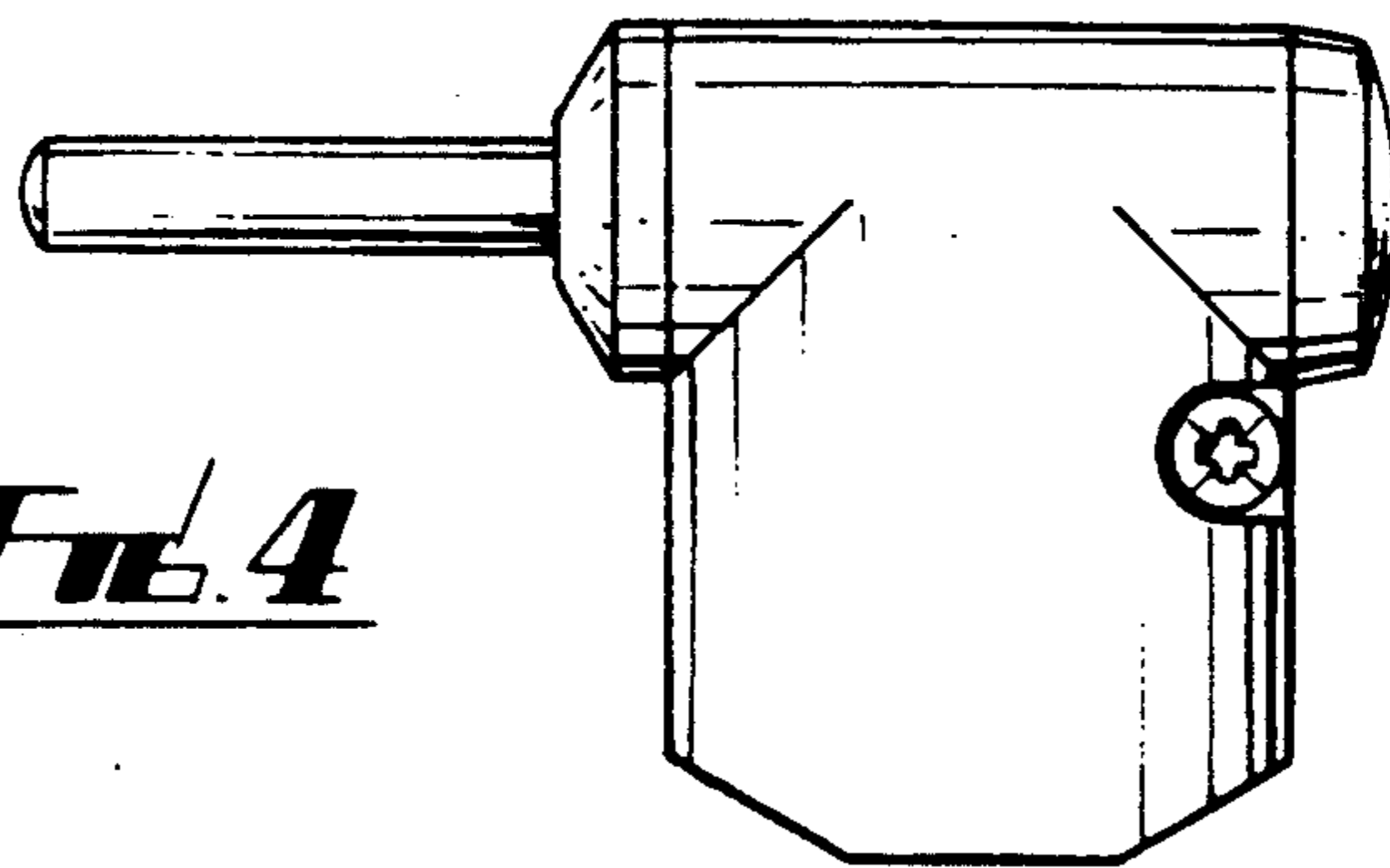


FIG. 4

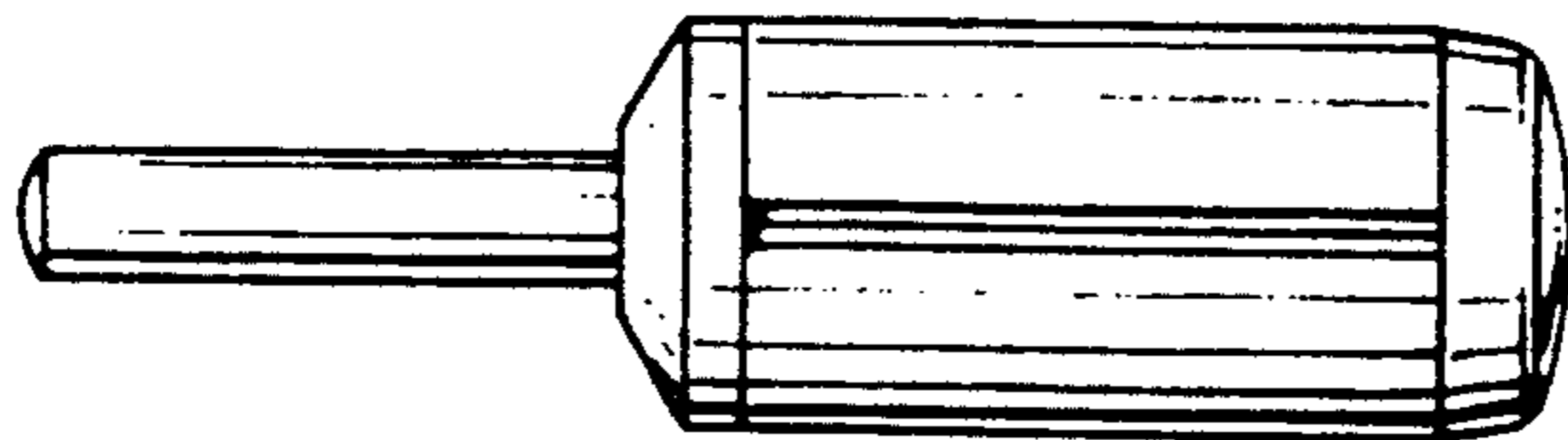


FIG. 5

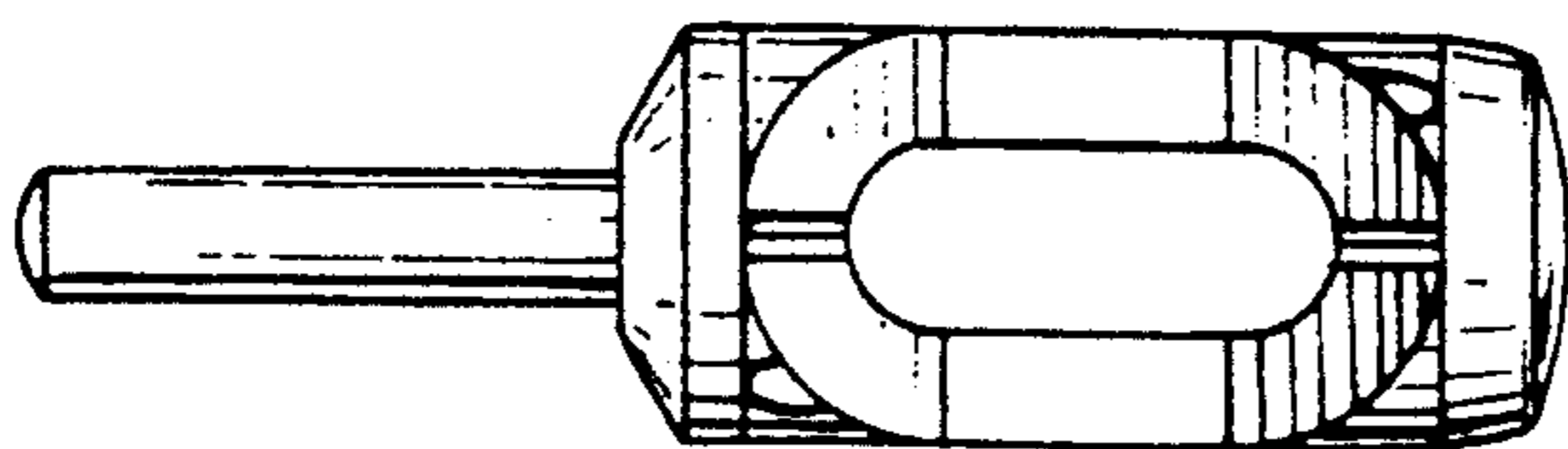


FIG. 6

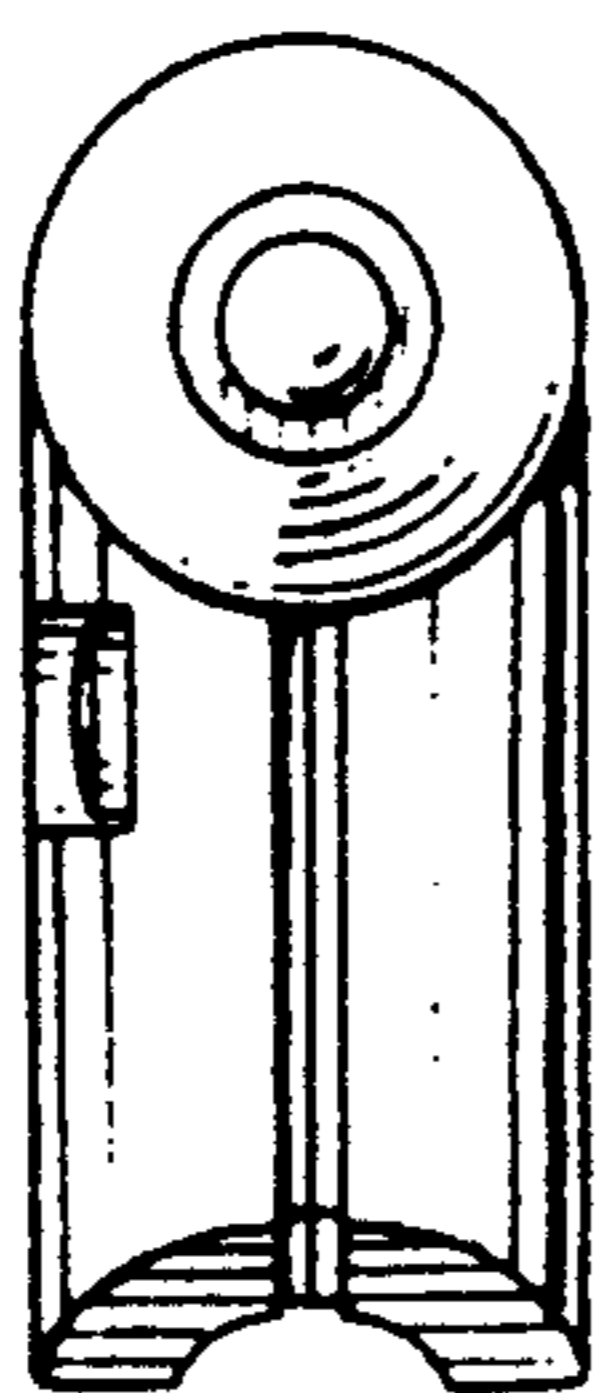


FIG. 7

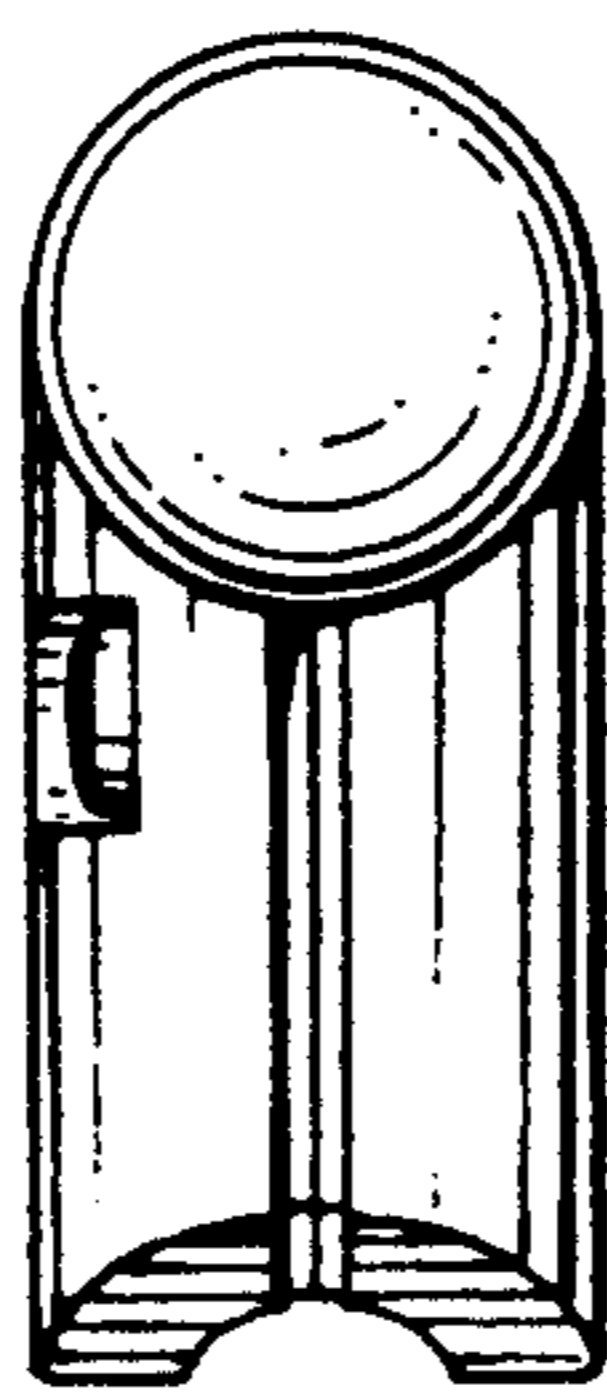


FIG. 8