



US00D332592S

United States Patent [19]

[11] Patent Number: **Des. 332,592**

O'Dea et al.

[45] Date of Patent: **** Jan. 19, 1993**

[54] **STROLLER**

D. 302,707 8/1989 Nakao et al. D21/78
D. 305,011 12/1989 Pison D12/129
D. 311,934 11/1990 Takahashi et al. D21/78

[75] Inventors: **Michael D. O'Dea**, Miami; **Margaret Nelson**, Dania, both of Fla.

Primary Examiner—Kay H. Chin
Attorney, Agent, or Firm—Harry W. Barron

[73] Assignee: **Wheels and Things, Inc.**, Dania, Fla.

[**] Term: **14 Years**

[57] **CLAIM**

[21] Appl. No.: **657,196**

The ornamental design for a stroller, as shown and described.

[22] Filed: **Feb. 19, 1991**

DESCRIPTION

[52] U.S. Cl. **D12/129; D21/78**

[58] Field of Search **D12/129; D21/78;**
280/47.38, 650

FIG. 1 is a top and front perspective view of a stroller showing our new design;

FIG. 2 is a right side elevational view thereof, the left side elevational view being a mirror image;

FIG. 3 is a front elevational view thereof;

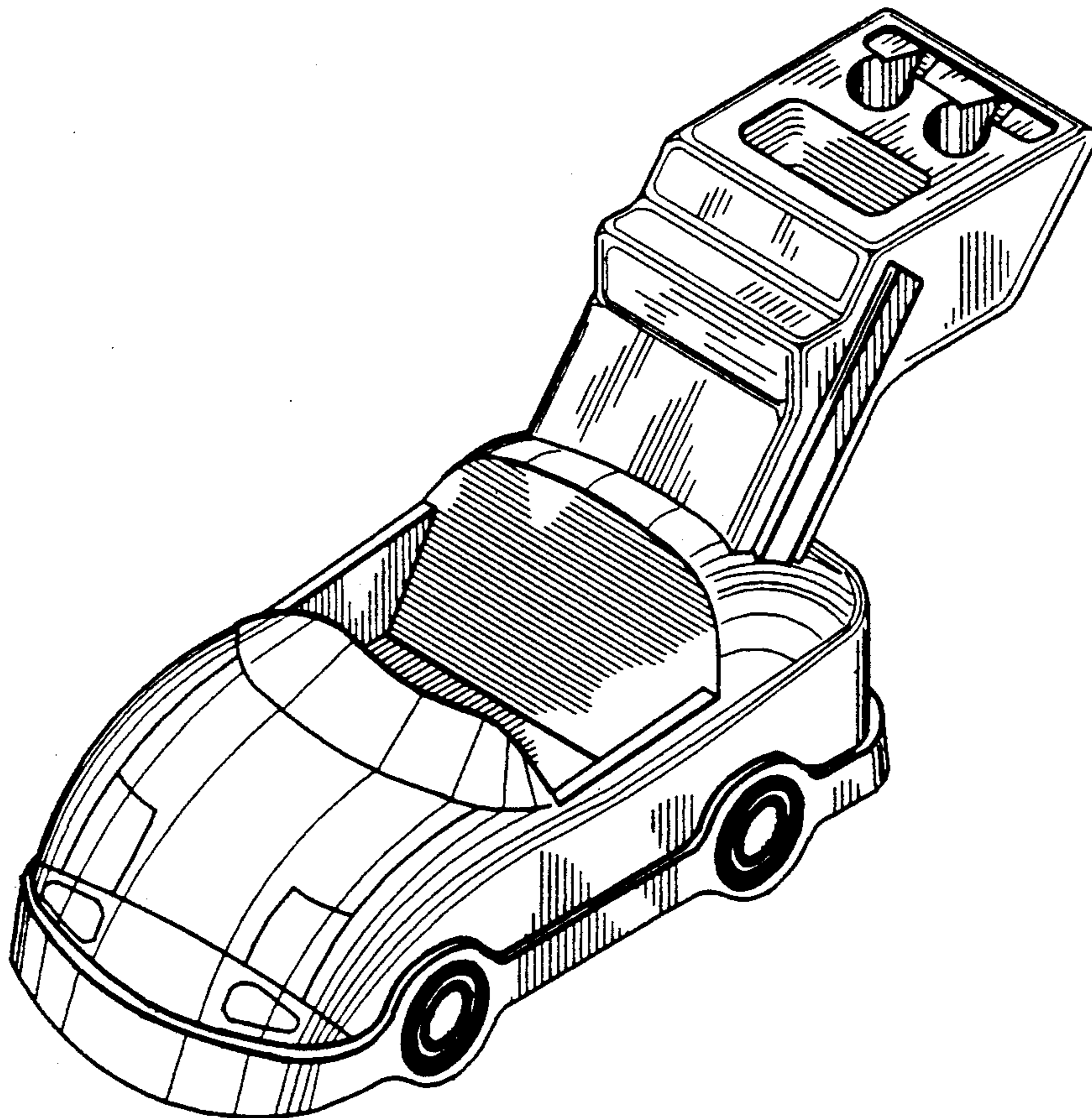
FIG. 4 is a rear elevational view thereof; and,

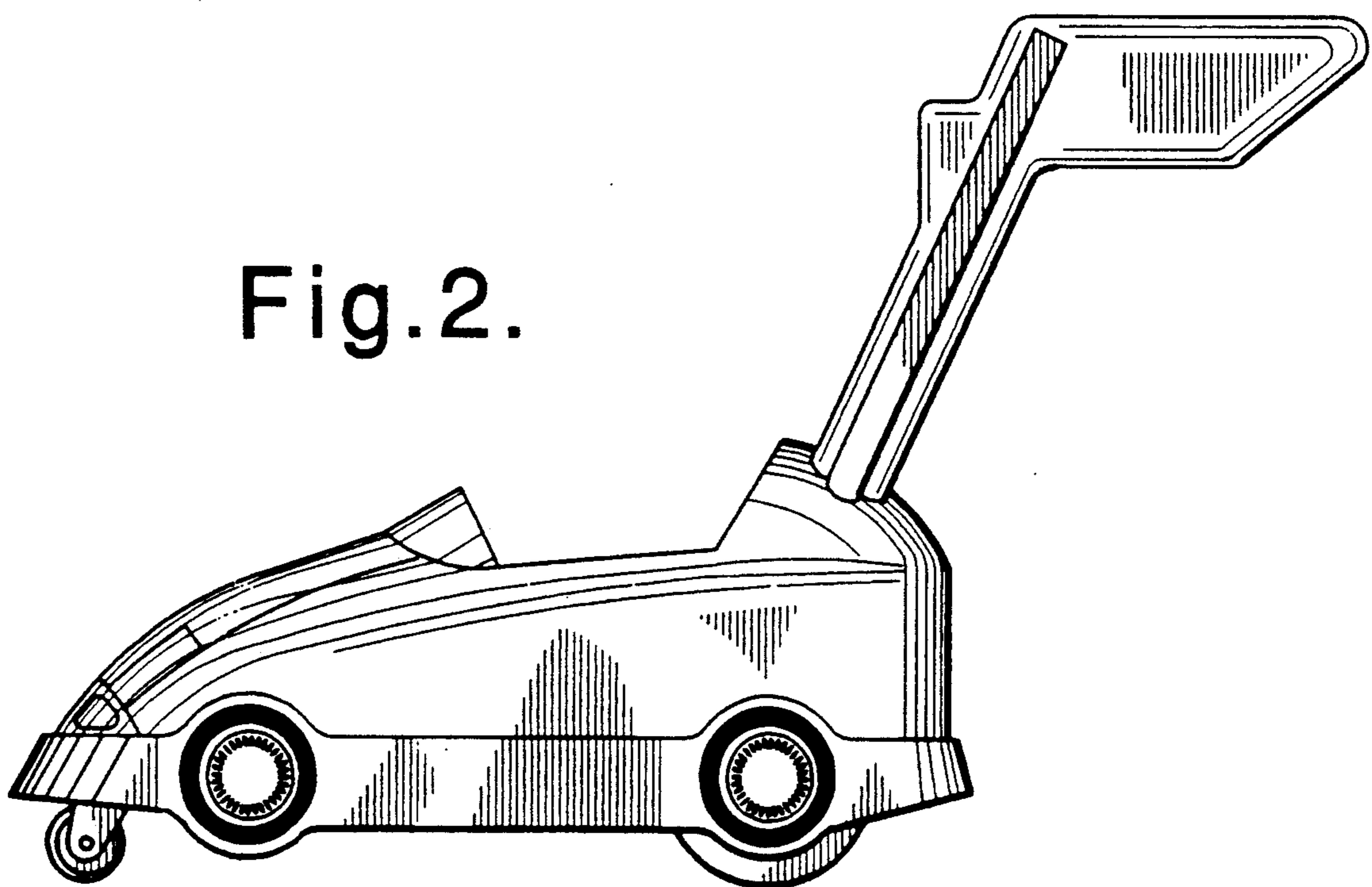
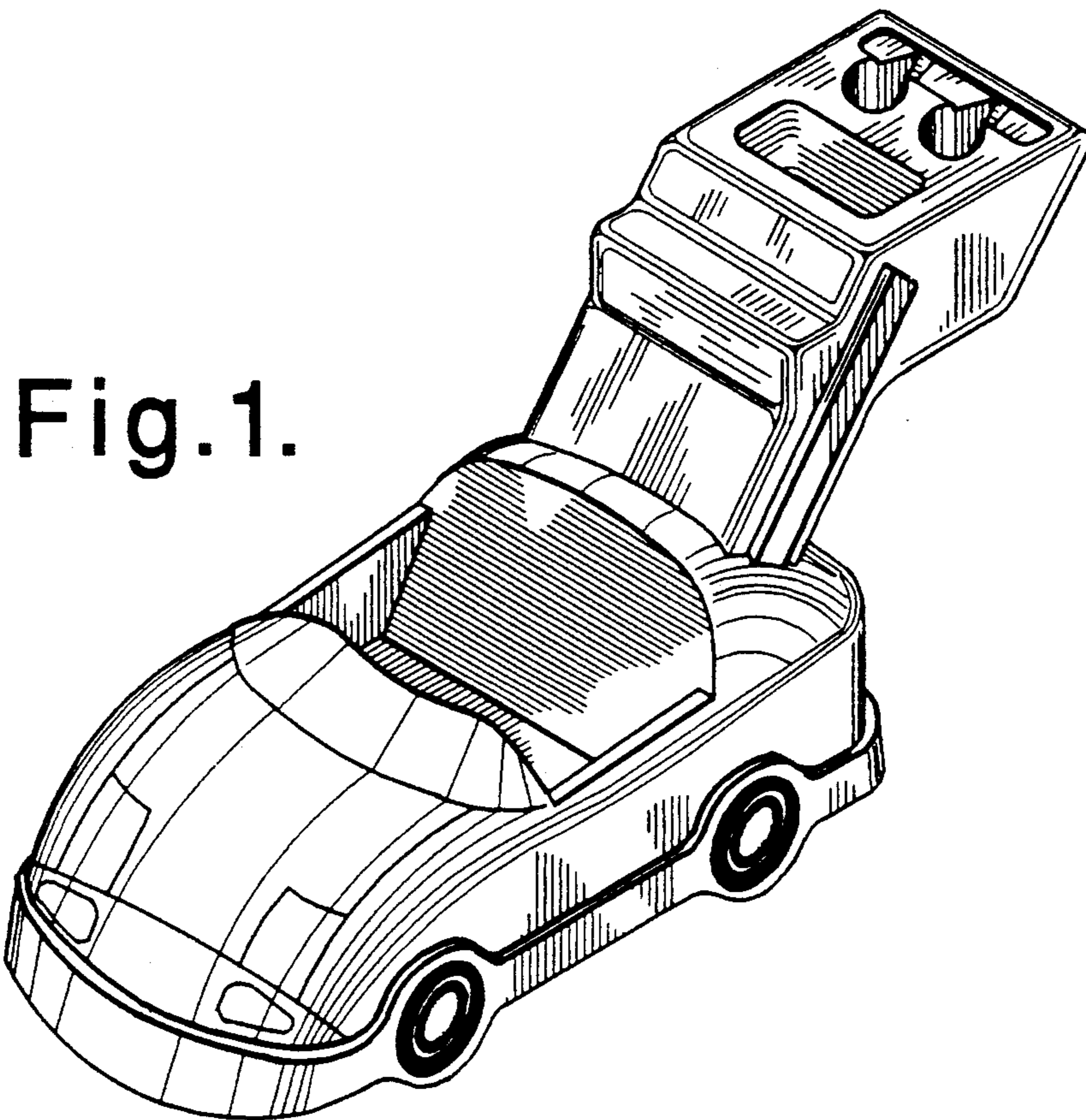
FIG. 5 is a top plan view thereof.

[56] **References Cited**

U.S. PATENT DOCUMENTS

D. 157,737 3/1950 Chance D12/129





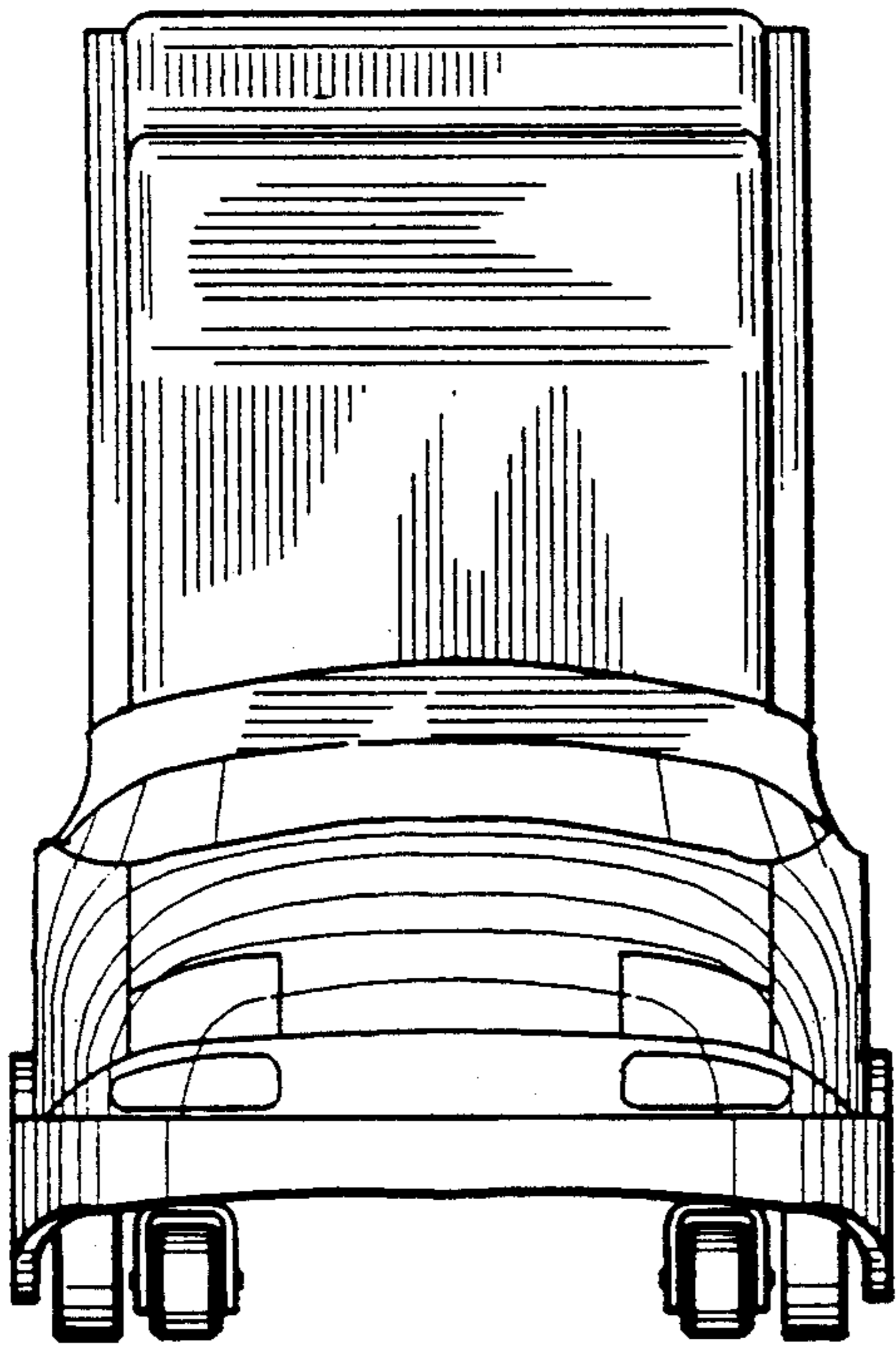


Fig.3.

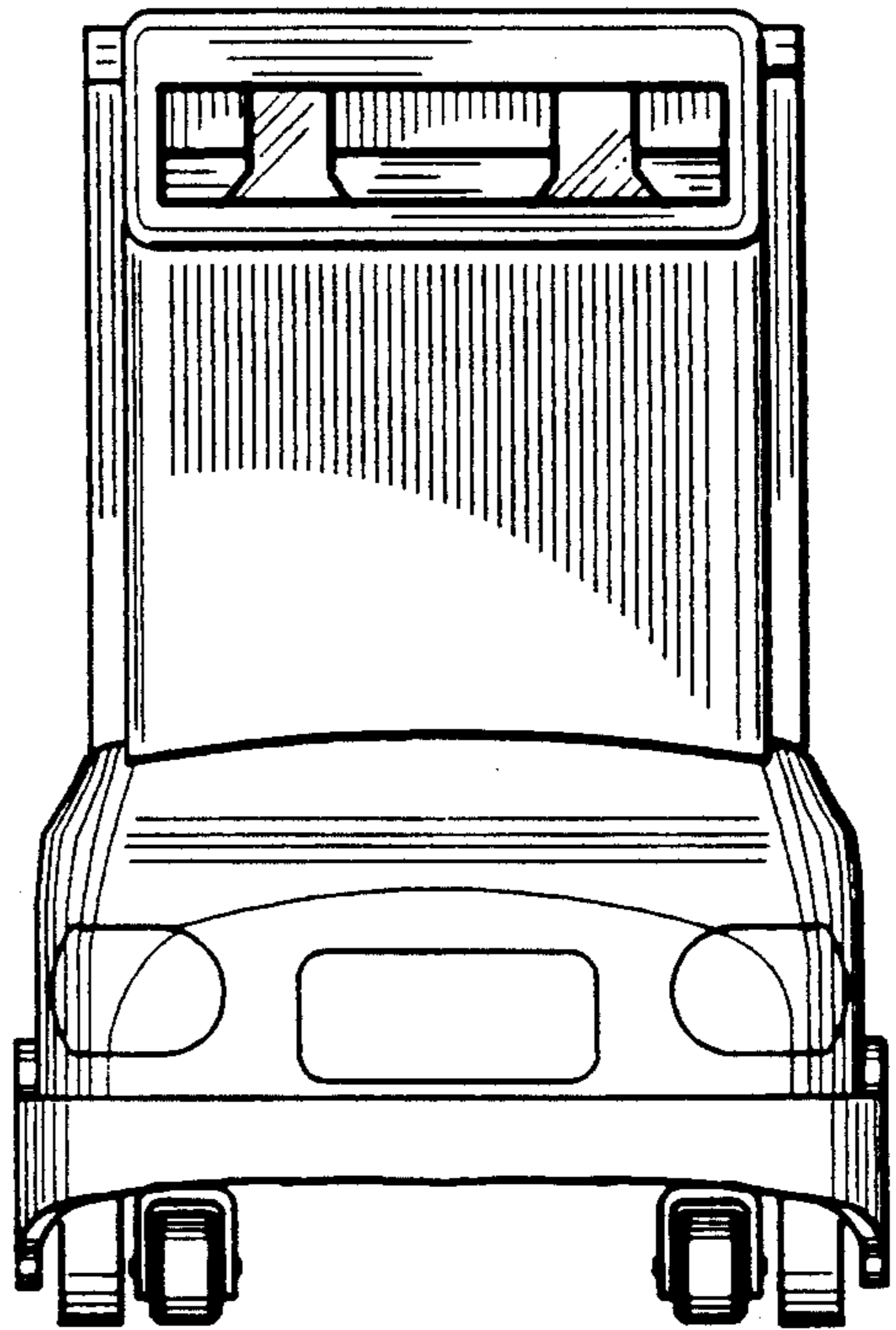


Fig.4.

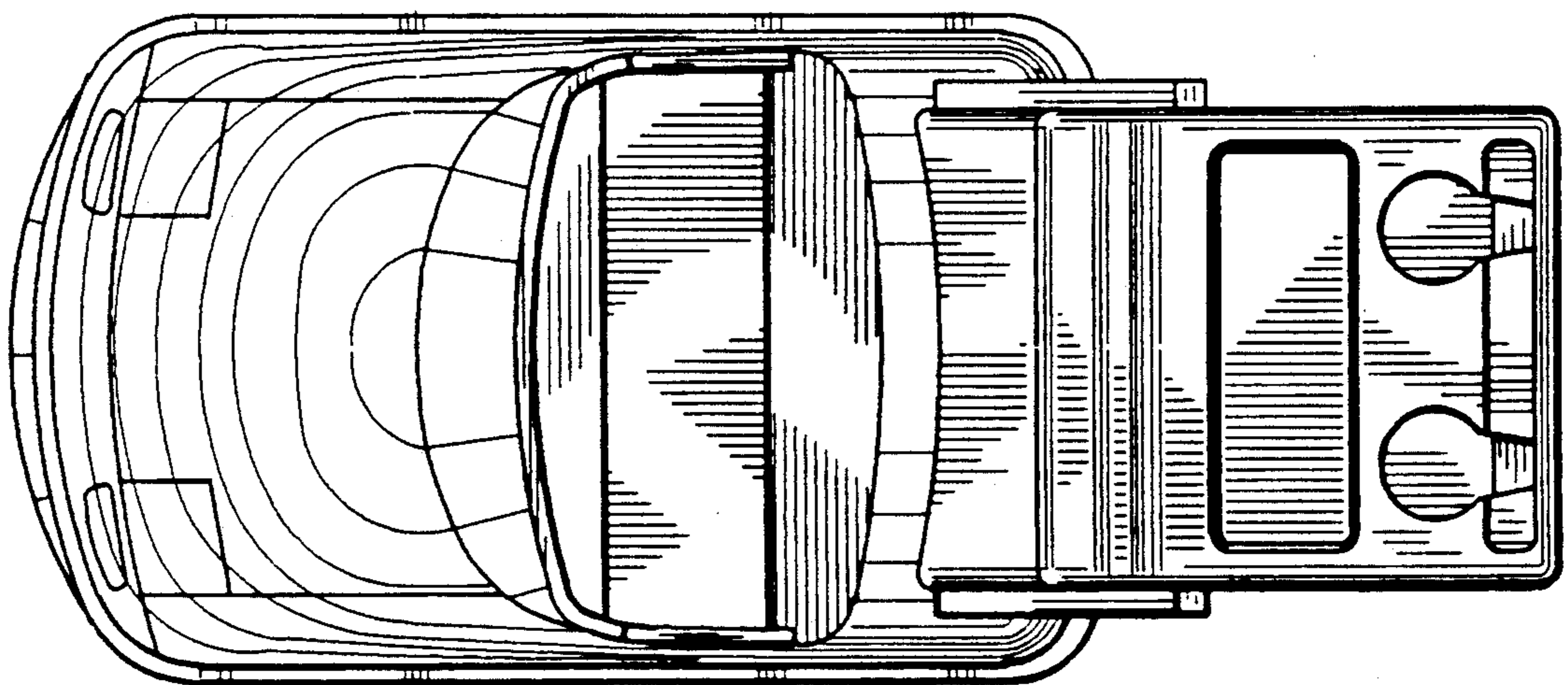


Fig.5.