



US00D332591S

United States Patent [19]

[11] Patent Number: **Des. 332,591**

Reely

[45] Date of Patent: **** Jan. 19, 1993**

[54] **INFANT STROLLER**

4,281,844	8/1981	Jackman et al.	280/47.11
4,646,860	3/1987	Owens et al.	280/47.11
5,029,891	7/1991	Jacobs	280/47.38

[76] Inventor: **Blaine T. Reely**, 1109 Briar Creek Rd., Enid, Okla. 73703

FOREIGN PATENT DOCUMENTS

[**] Term: **14 Years**

64368 11/1982 European Pat. Off. 280/47.38

[21] Appl. No.: **548,740**

Primary Examiner—Kay H. Chin

[22] Filed: **Jul. 5, 1990**

[57] CLAIM

[52] U.S. Cl. **D12/129**; 280/47.38; 280/47.11

The ornamental design for an infant stroller, as shown and described.

[58] Field of Search **D34/12, 17, 18;**
D12/128, 129, 133; 280/47.38, 47.11, 644, 650, 687

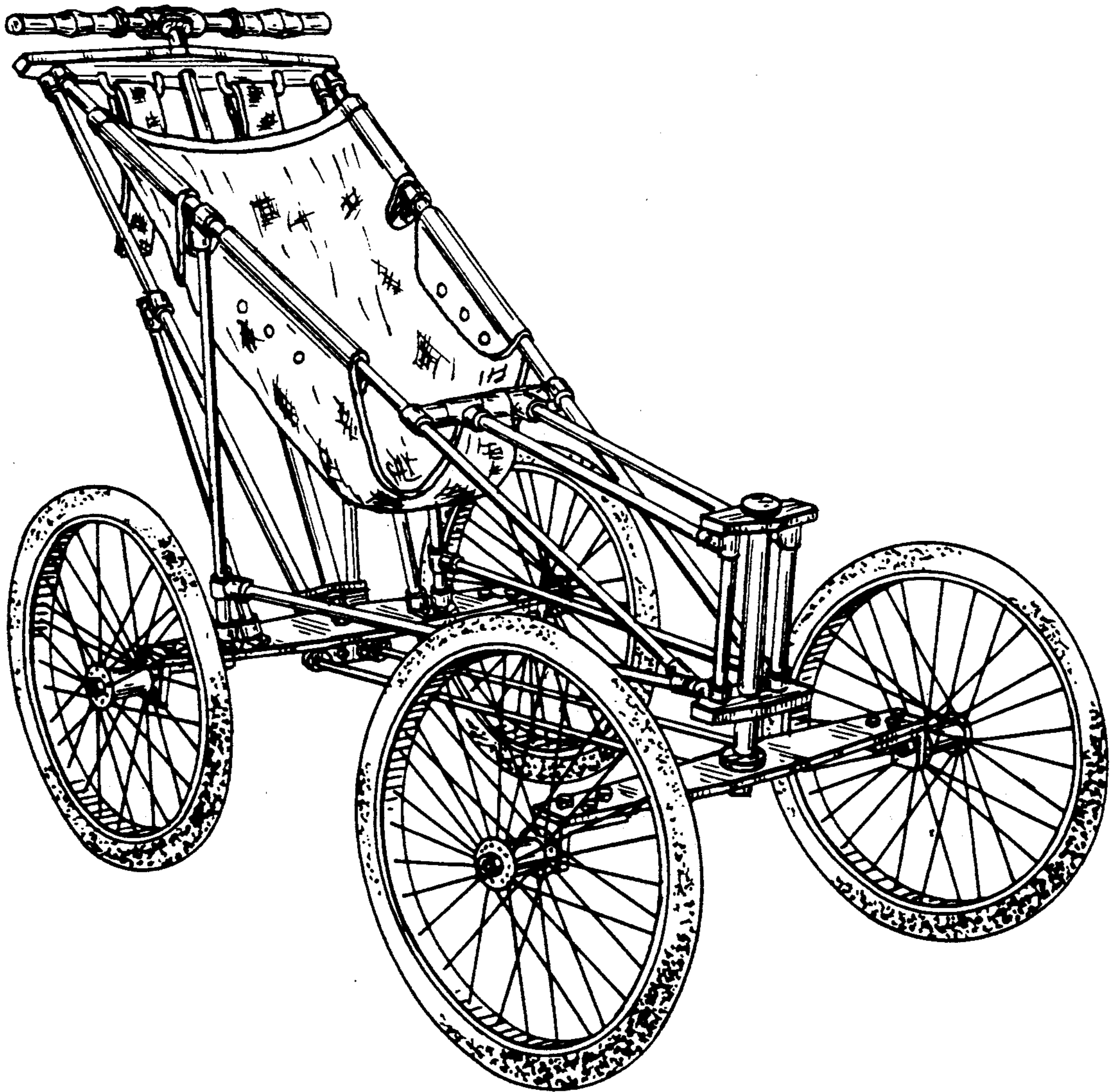
DESCRIPTION

[56] References Cited

U.S. PATENT DOCUMENTS

3,398,971 8/1968 Setdel 280/47.11

FIG. 1 is a top and front perspective view of an infant stroller showing my new design;
FIG. 2 is a top plan view thereof;
FIG. 3 is a top plan view thereof with seat removed;
and,
FIG. 4 is a rear elevational view thereof.



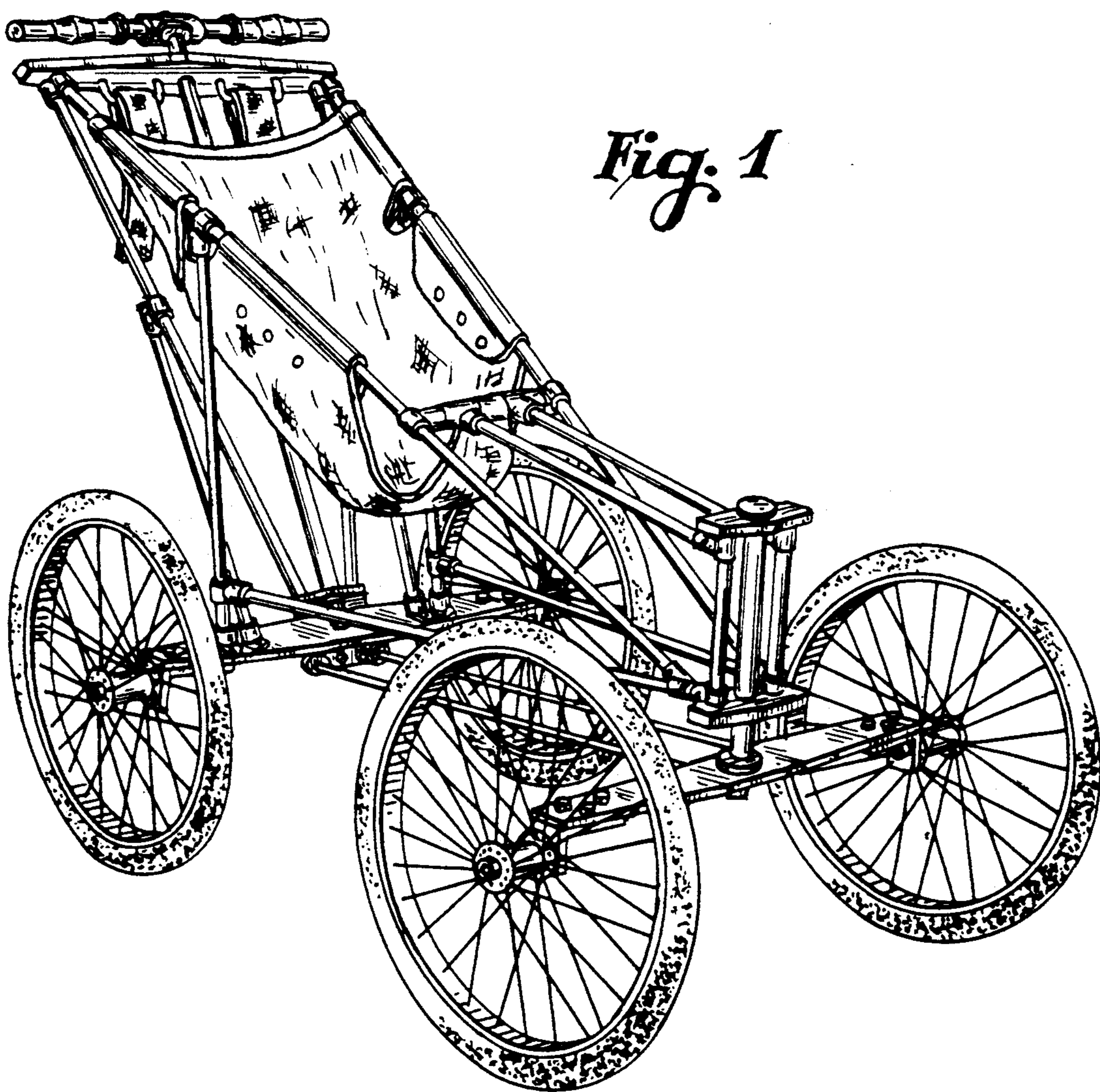


Fig. 2

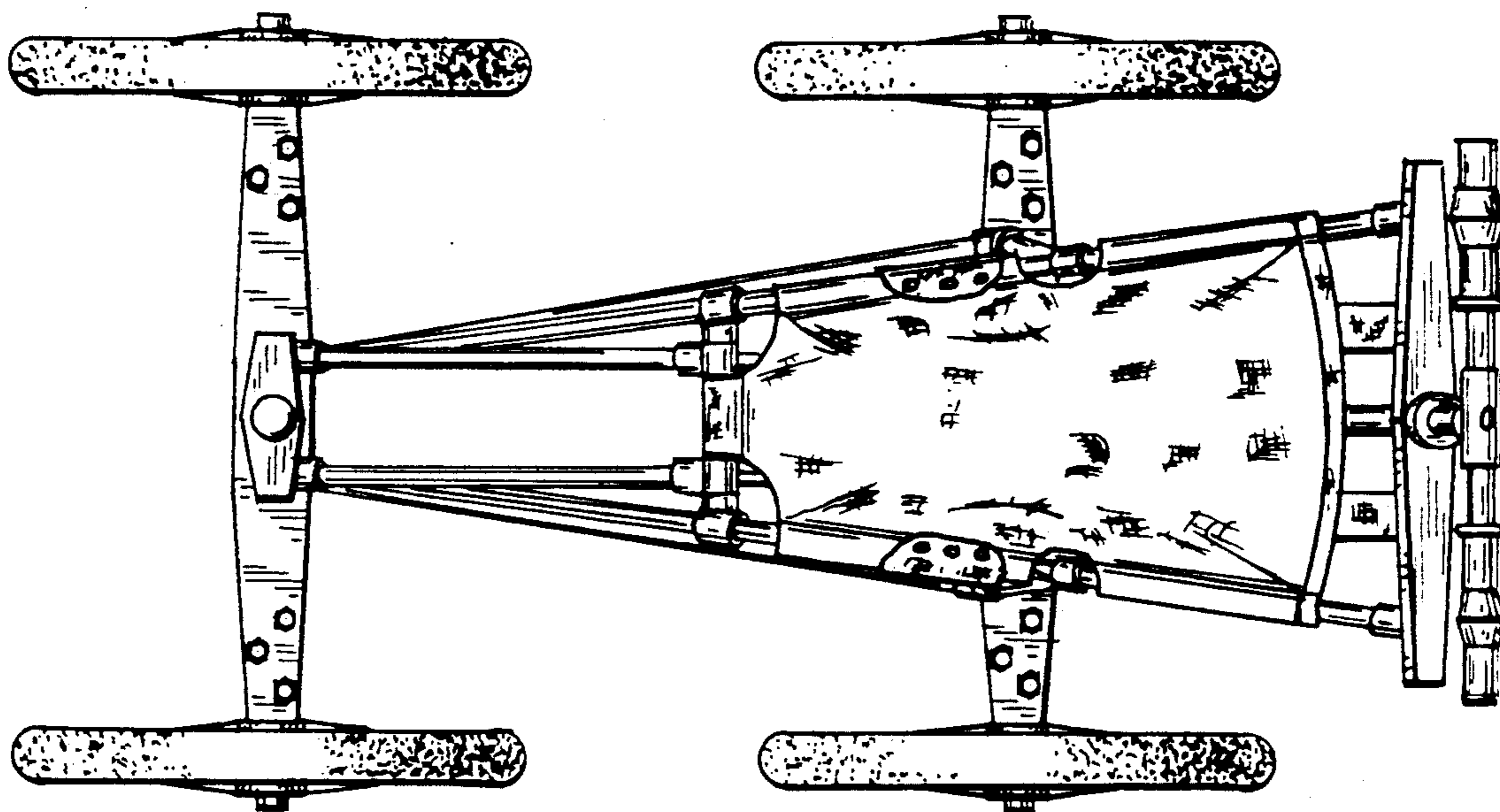


Fig. 3

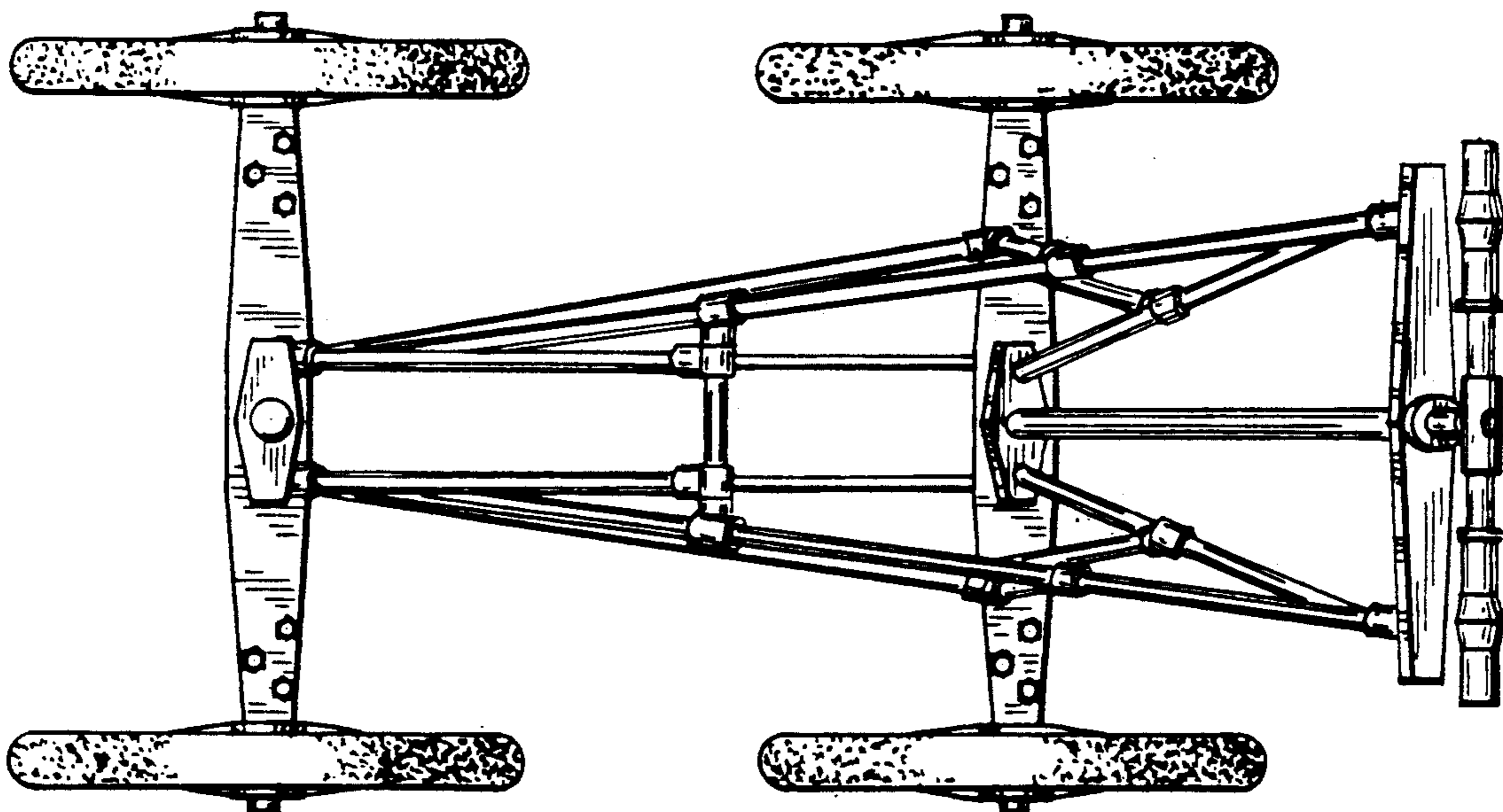


Fig. 4

