



US00D332586S

# United States Patent [19]

Jones

[11] Patent Number: Des. 332,586

[45] Date of Patent: \*\* Jan. 19, 1993

[54] TOWED WATERSLED

[76] Inventor: Leslie L. Jones, 12 Joe Nestor Rd., Tijeras, N. Mex. 87059

[\*\*] Term: 14 Years

[21] Appl. No.: 584,892

[22] Filed: Sep. 19, 1990

[52] U.S. Cl. D12/6

[58] Field of Search D12/6, 11; 114/253; 441/65, 73, 79; 280/18, 21.1

4,395,241 7/1983 Comparetto ..... 441/65  
 4,708,675 11/1987 Shoefler et al. .... 441/65  
 4,857,025 8/1989 Brown et al. .... 441/65  
 4,929,207 5/1990 Piatt ..... 441/79  
 4,986,784 1/1991 French ..... 441/65  
 4,989,531 2/1991 Humphrey ..... 441/65

Primary Examiner—Wallace R. Burke  
 Assistant Examiner—Melody Brown  
 Attorney, Agent, or Firm—Terry M. Gernstein

### [57] CLAIM

The ornamental design for a towed watersled, as shown and described.

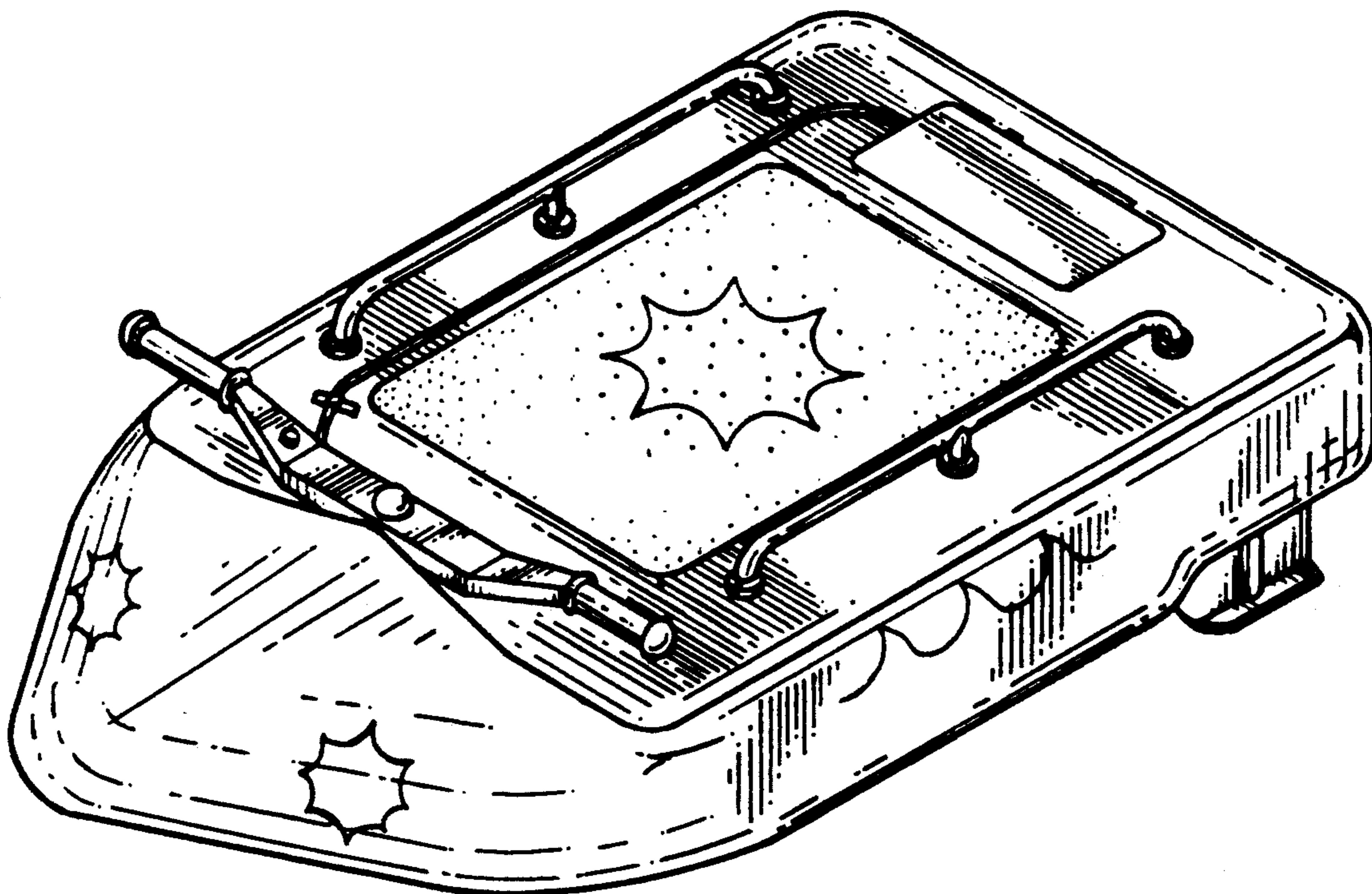
### [56] References Cited

#### U.S. PATENT DOCUMENTS

D. 255,820 7/1980 Borden et al. .... D12/6  
 D. 279,920 7/1985 Gardinier et al. .... D12/11  
 3,617,070 11/1971 Roberto ..... 441/65  
 3,626,428 12/1971 Collaro ..... 441/65  
 3,642,299 2/1972 Garcia ..... 441/73  
 3,666,281 5/1972 Billings ..... 280/15  
 4,082,304 4/1978 Kendrena ..... 280/12  
 4,302,860 12/1981 Puch ..... 441/65

### DESCRIPTION

FIG. 1 is a perspective view of a towed watersled showing my new design;  
 FIG. 2 is a side elevational view thereof, the opposite side being a mirror image of that shown;  
 FIG. 3 is a front end elevational view thereof;  
 FIG. 4 is a top plan view thereof;  
 FIG. 5 is a rear end elevational view thereof; and,  
 FIG. 6 is a bottom plan view thereof.



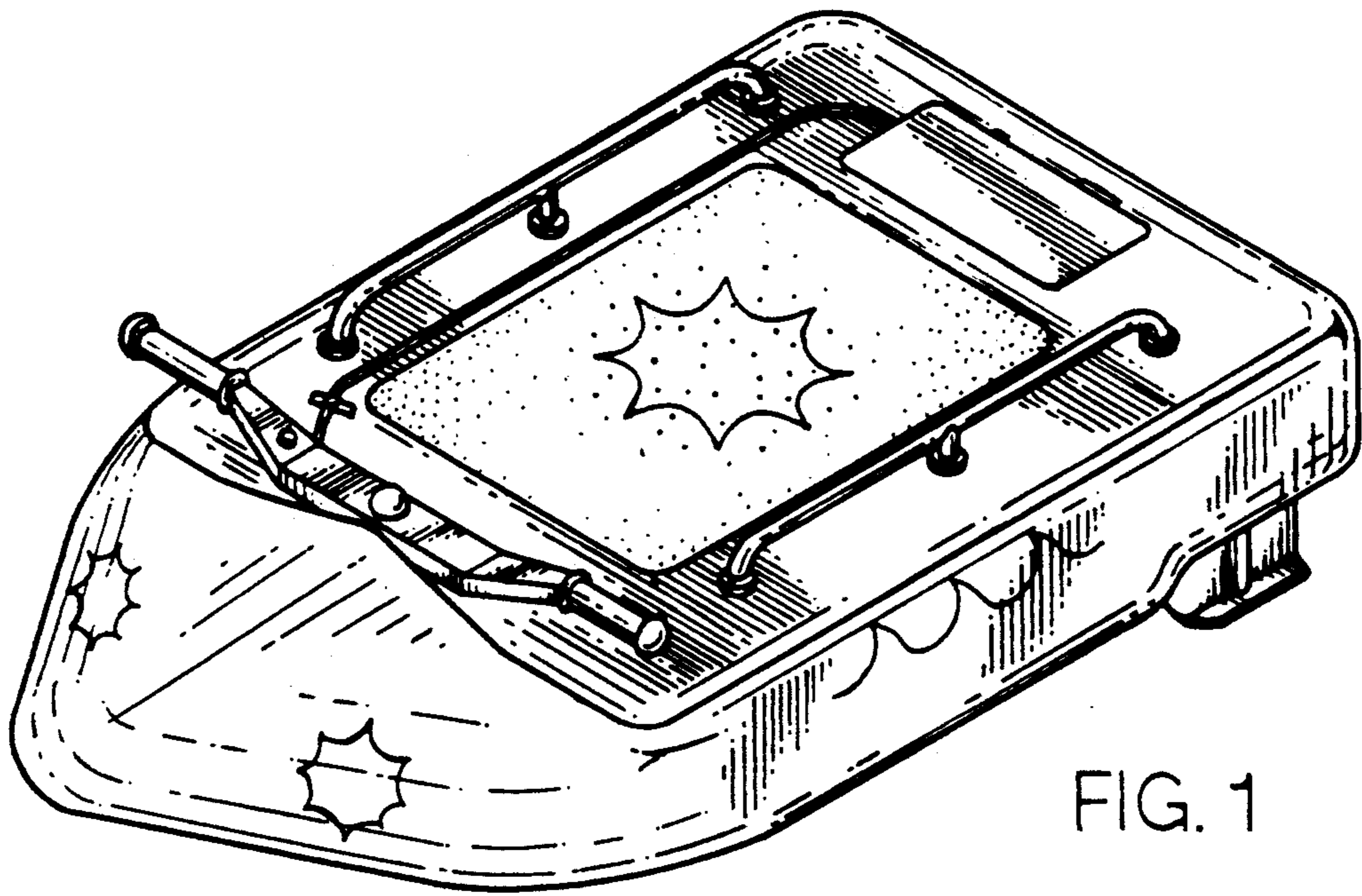


FIG. 1

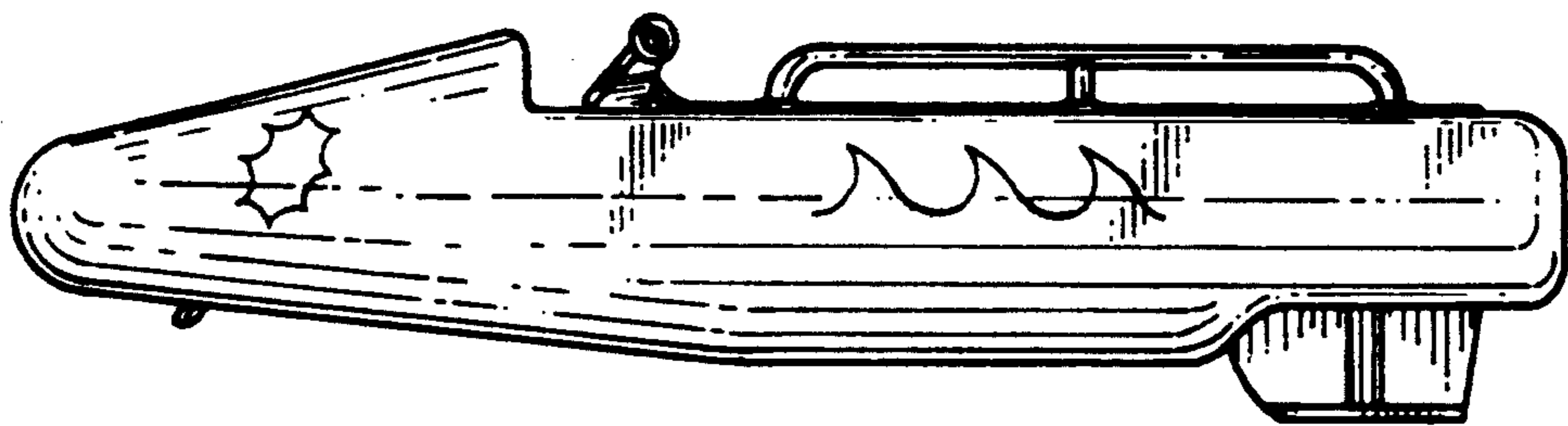


FIG. 2

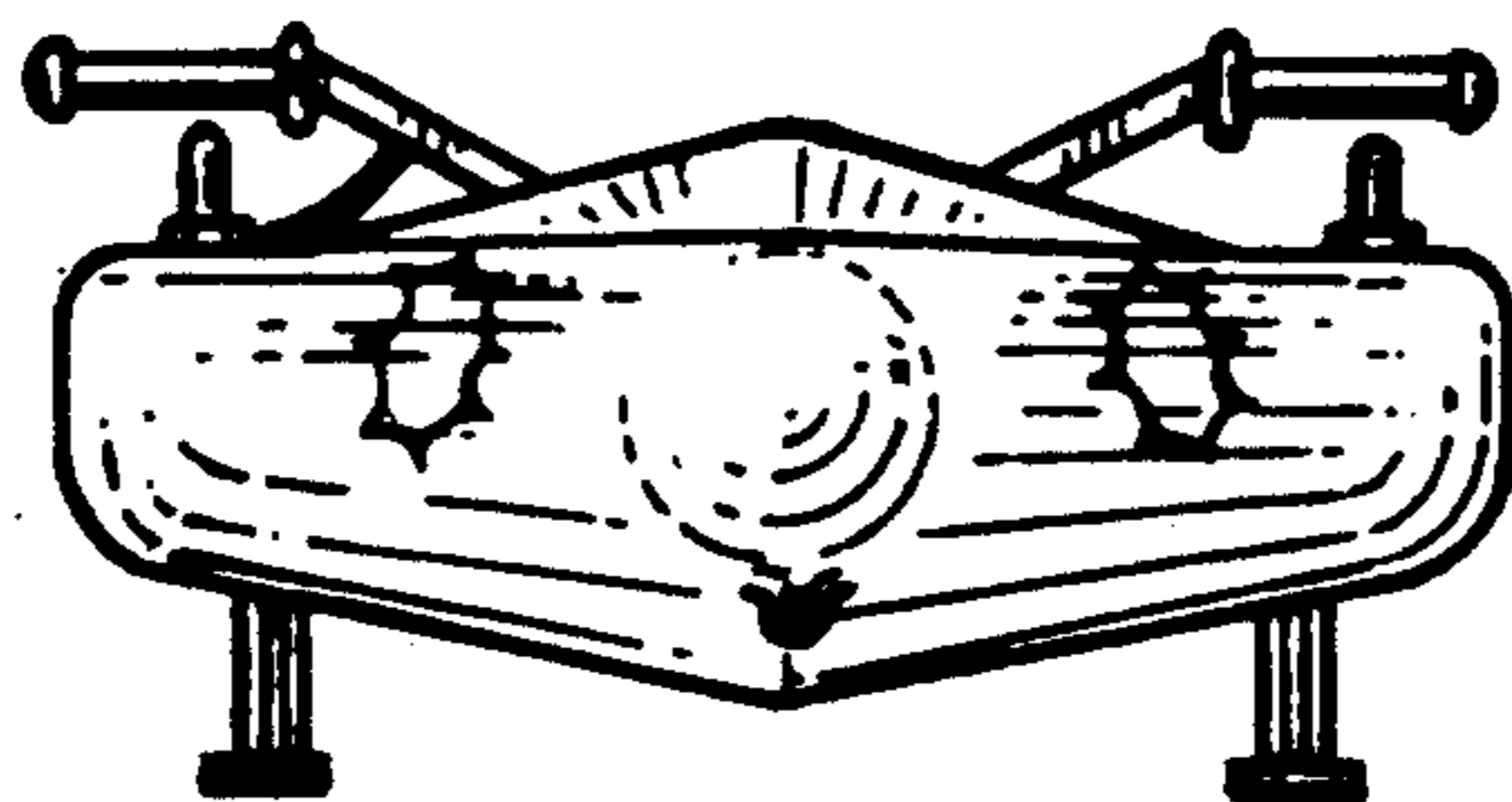


FIG. 3

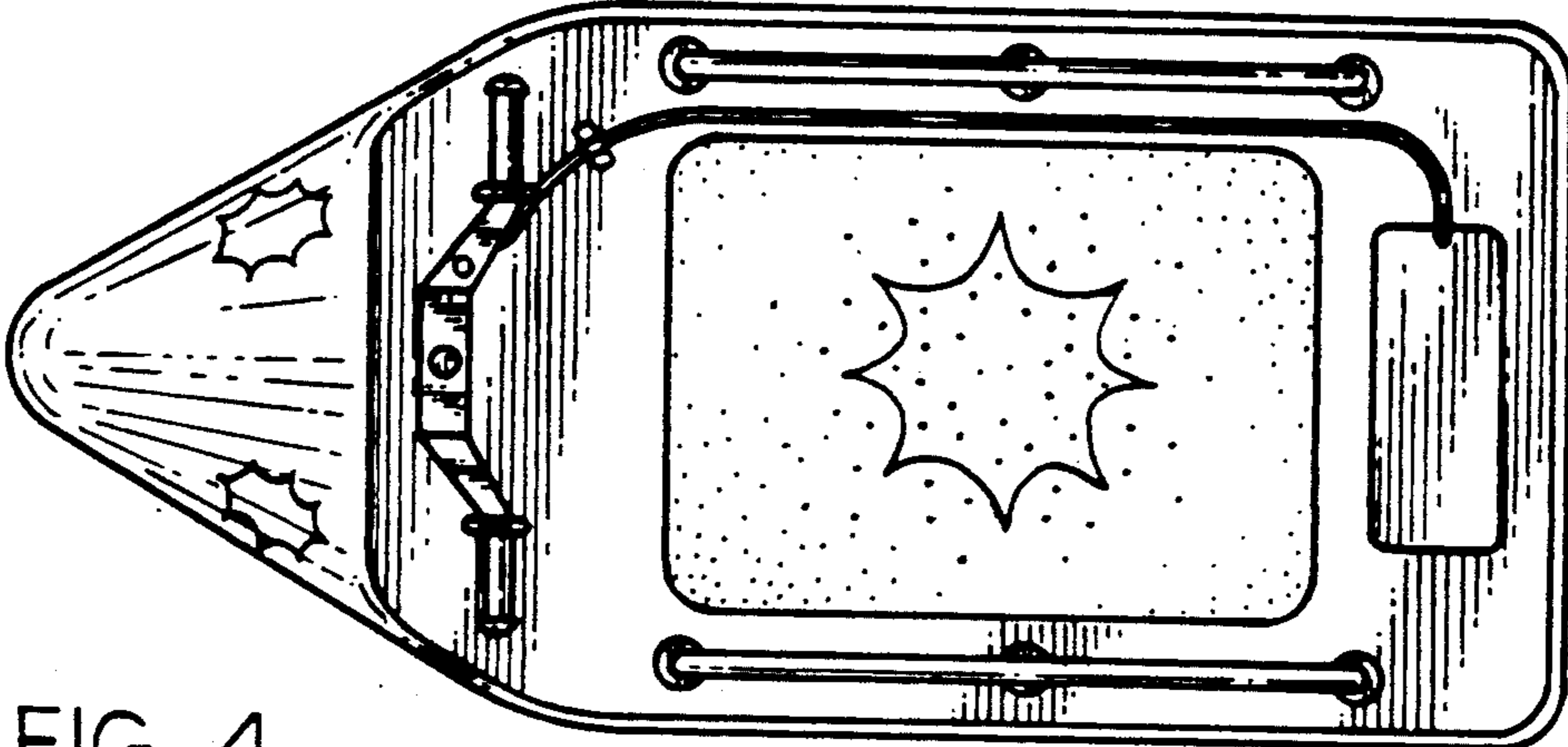


FIG. 4

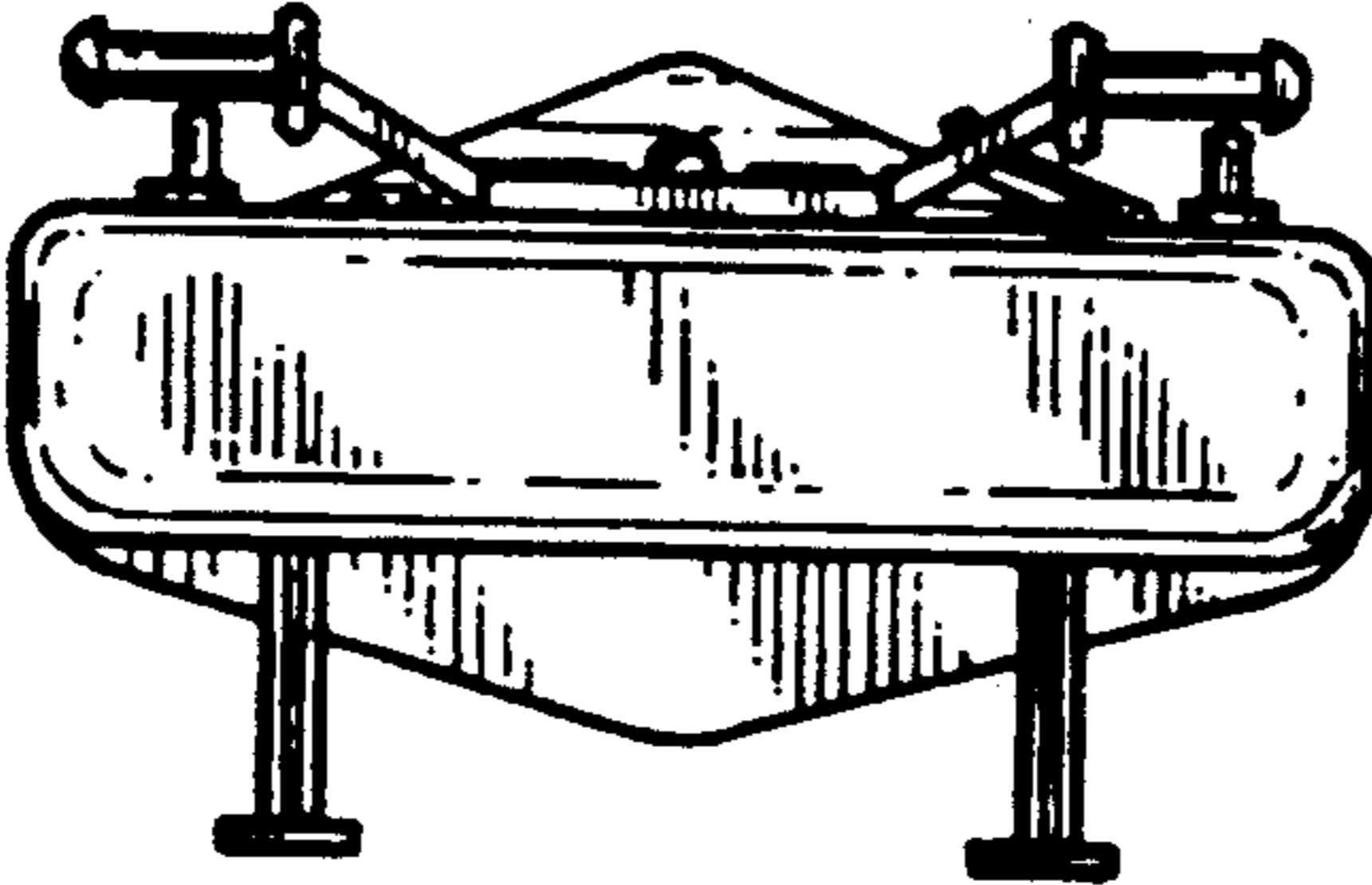


FIG. 5

FIG. 6

