



US00D332577S

United States Patent [19]

[11] Patent Number: **Des. 332,577**

Peterson

[45] Date of Patent: **** Jan. 19, 1993**

[54] WATER GAUGE

[76] Inventor: **George W. Peterson**, 9235 Pioneers Ct., Lincoln, Nebr. 68520

[**] Term: **14 Years**

[21] Appl. No.: **583,675**

[22] Filed: **Sep. 17, 1990**

[52] U.S. Cl. **D10/101; D10/96**

[58] Field of Search **D10/101, 96; 73/170 A, 73/171; 116/227, 228**

[56] **References Cited**

U.S. PATENT DOCUMENTS

D. 316,981	5/1991	Geschwender et al.	D10/101
3,393,983	7/1968	Washington	116/227 X
4,141,310	2/1979	Rich, Jr.	D10/101 X
4,452,251	6/1984	Heilman	116/227 X

Primary Examiner—Nelson C. Holtje
Assistant Examiner—Antoine D. Davis

[57] **CLAIM**

The novel and ornamental design concept for water gauge, substantially as shown and described in the aforescribed five numbered Figures of the accompanying drawing.

DESCRIPTION

FIG. 1 is a front elevational view of a water gauge showing my new design;

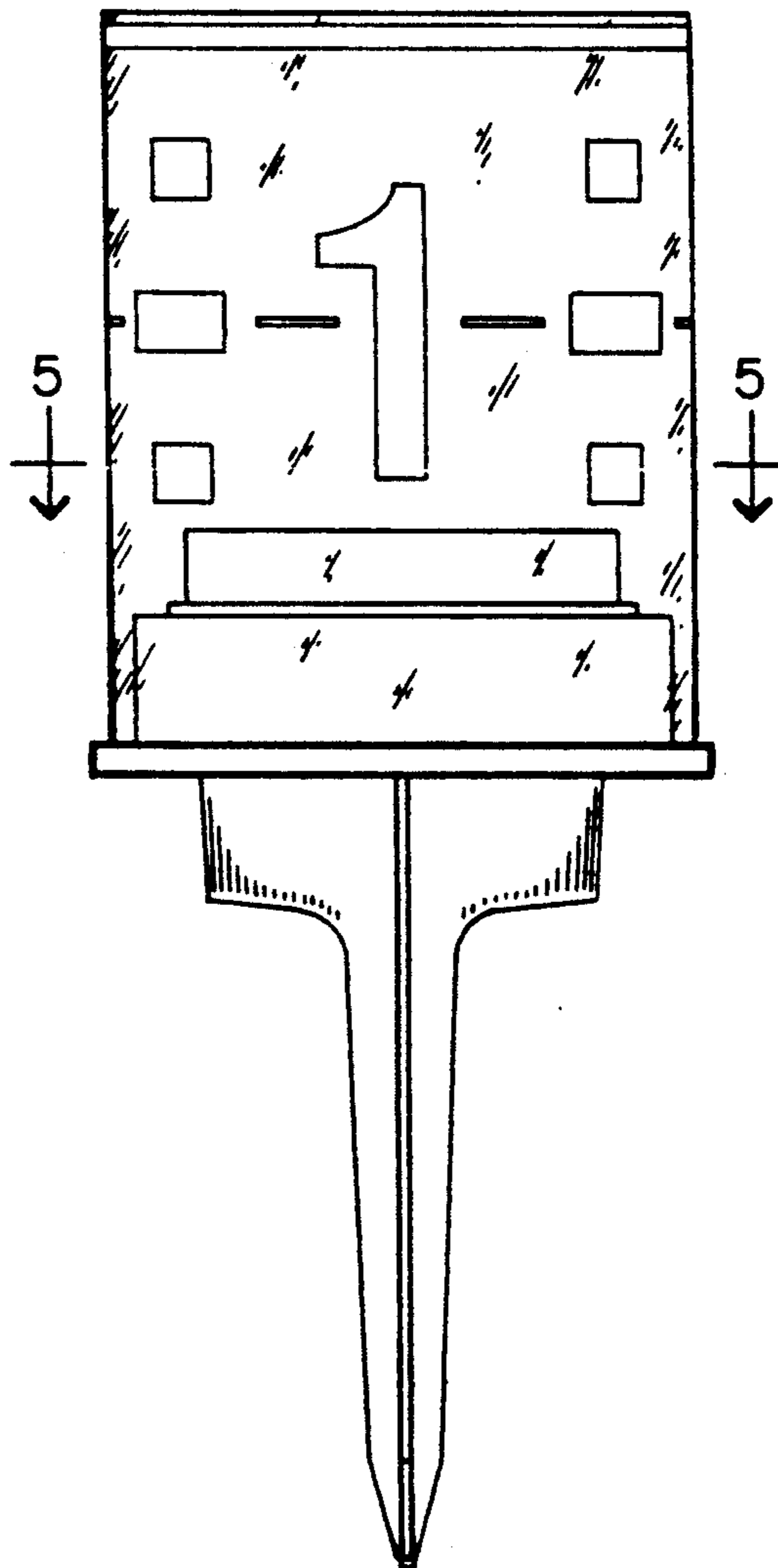
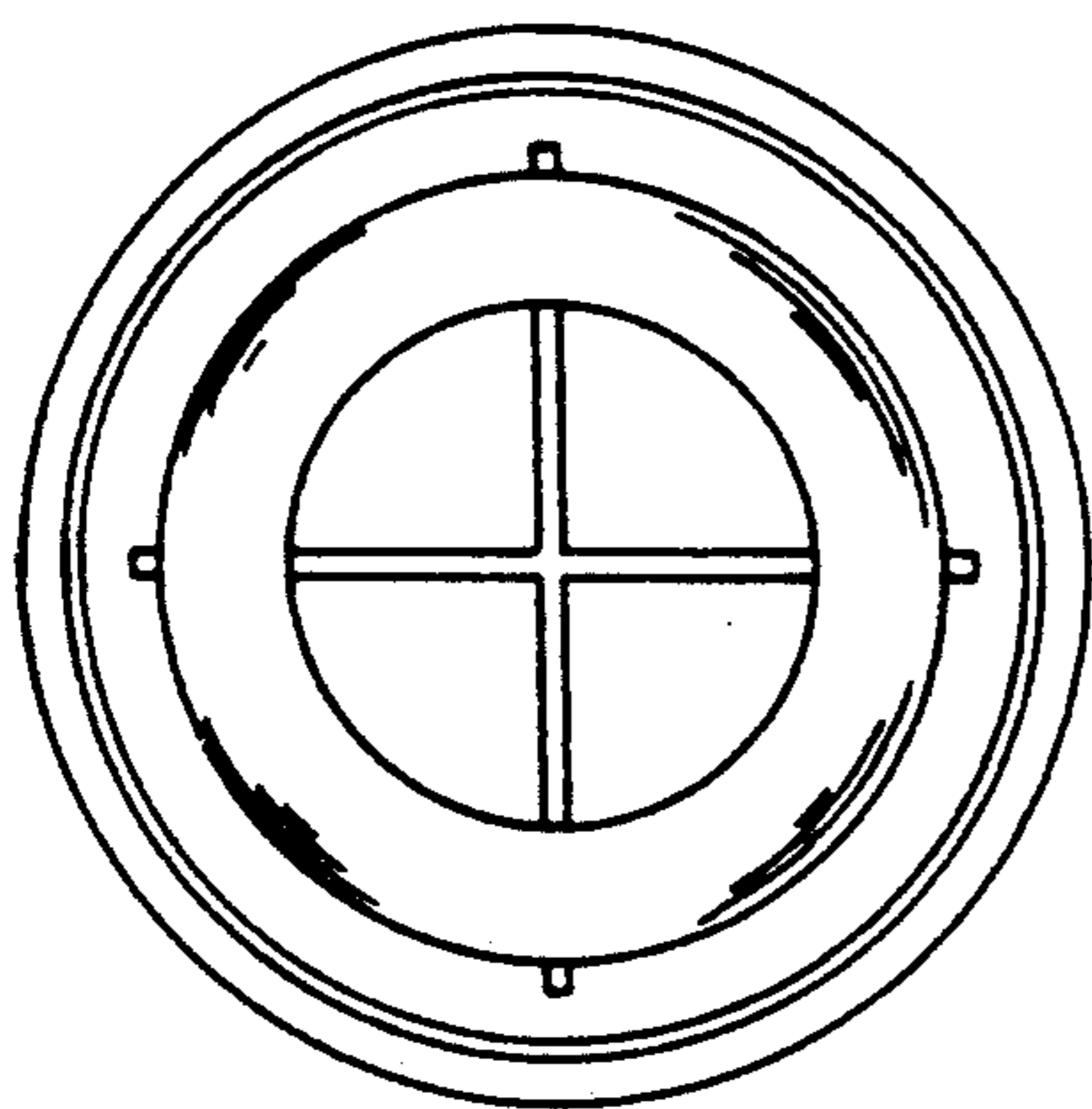
FIG. 2 is a rear elevational view;

FIG. 3 is a top plan view;

FIG. 4 is a bottom plan view; and,

FIG. 5 is a cross-sectional view taken along line 5—5 of FIG. 1 thereof.

FIG. 5 has been drawn on an enlarged scale with respect to FIGS. 1-4.



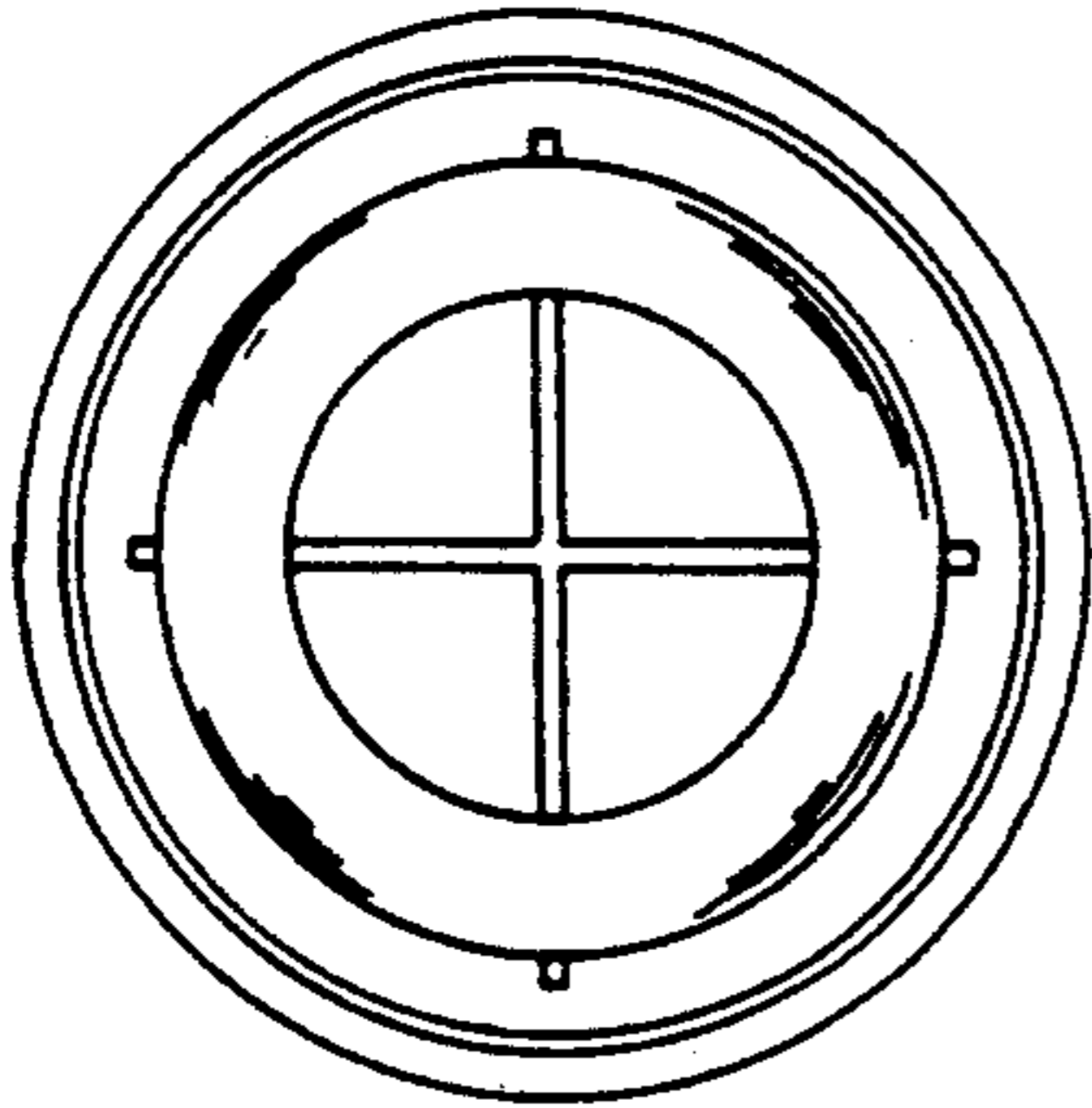


FIG. 3

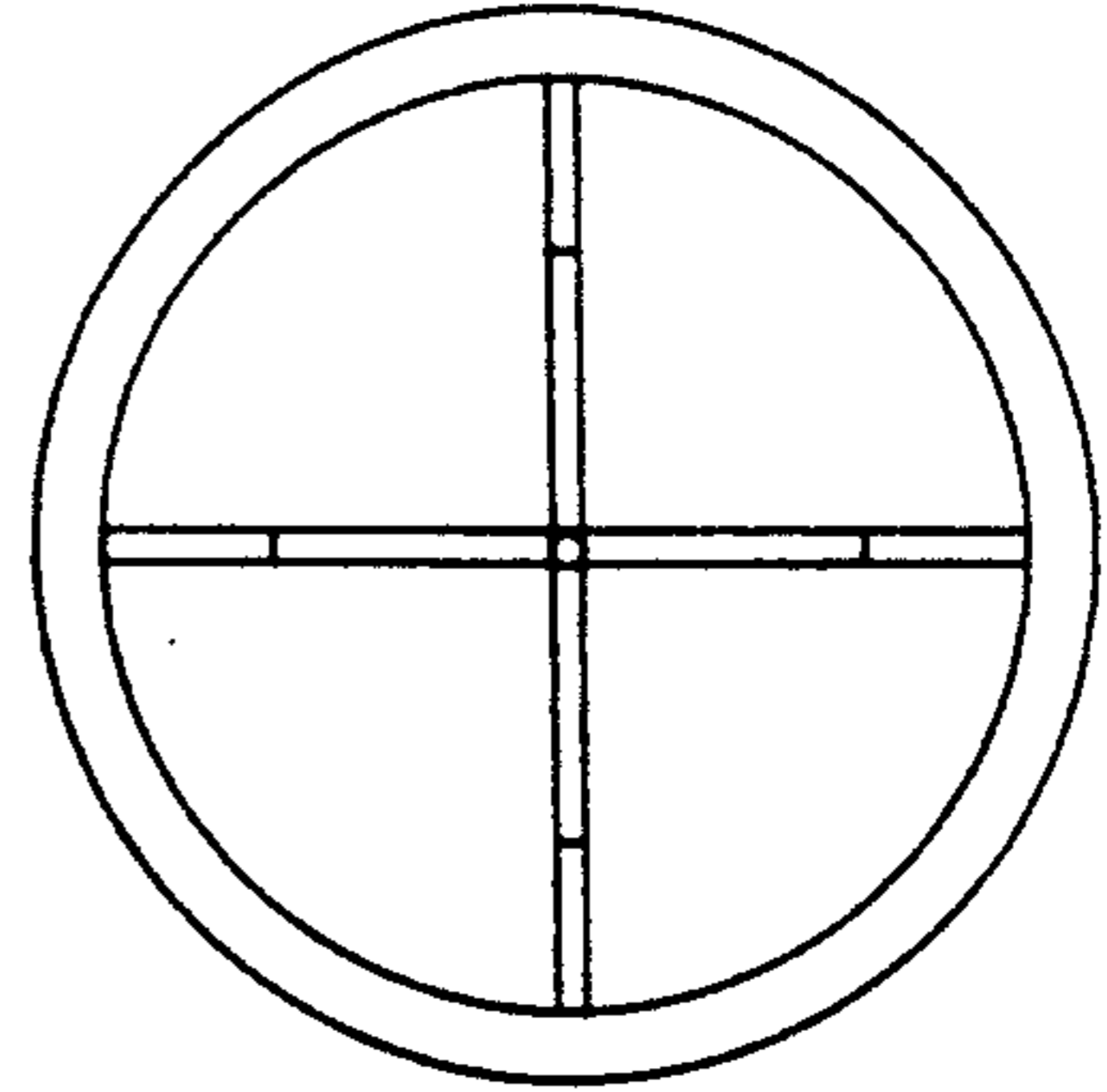


FIG. 4

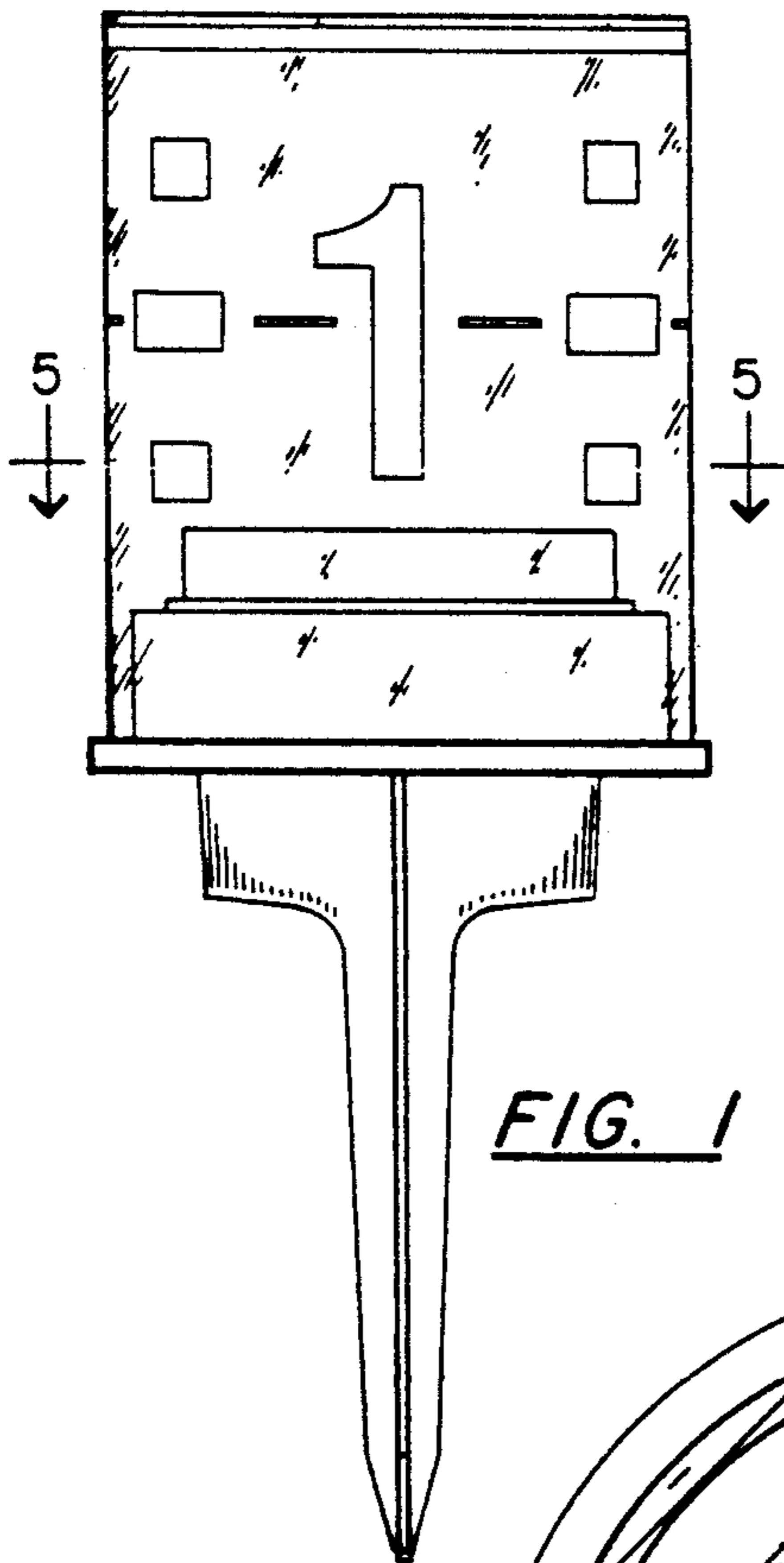


FIG. 1

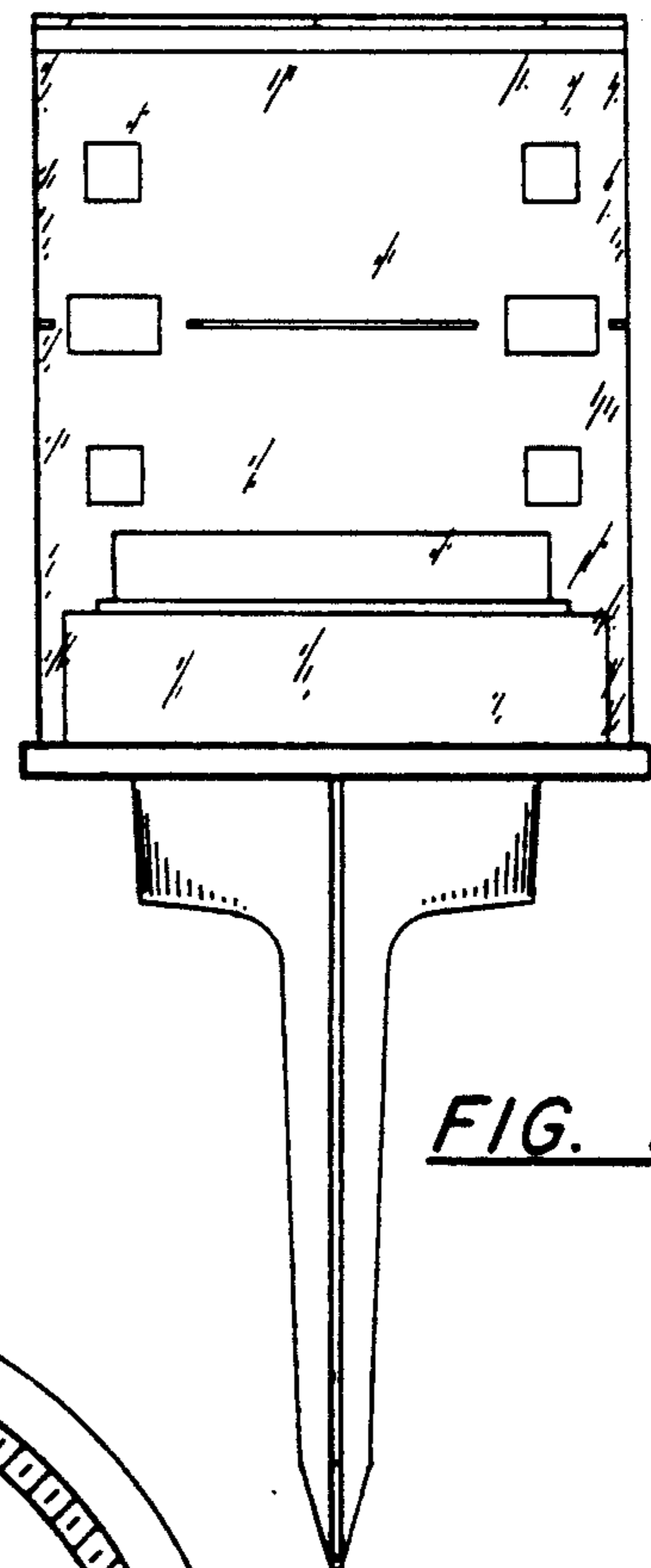


FIG. 2

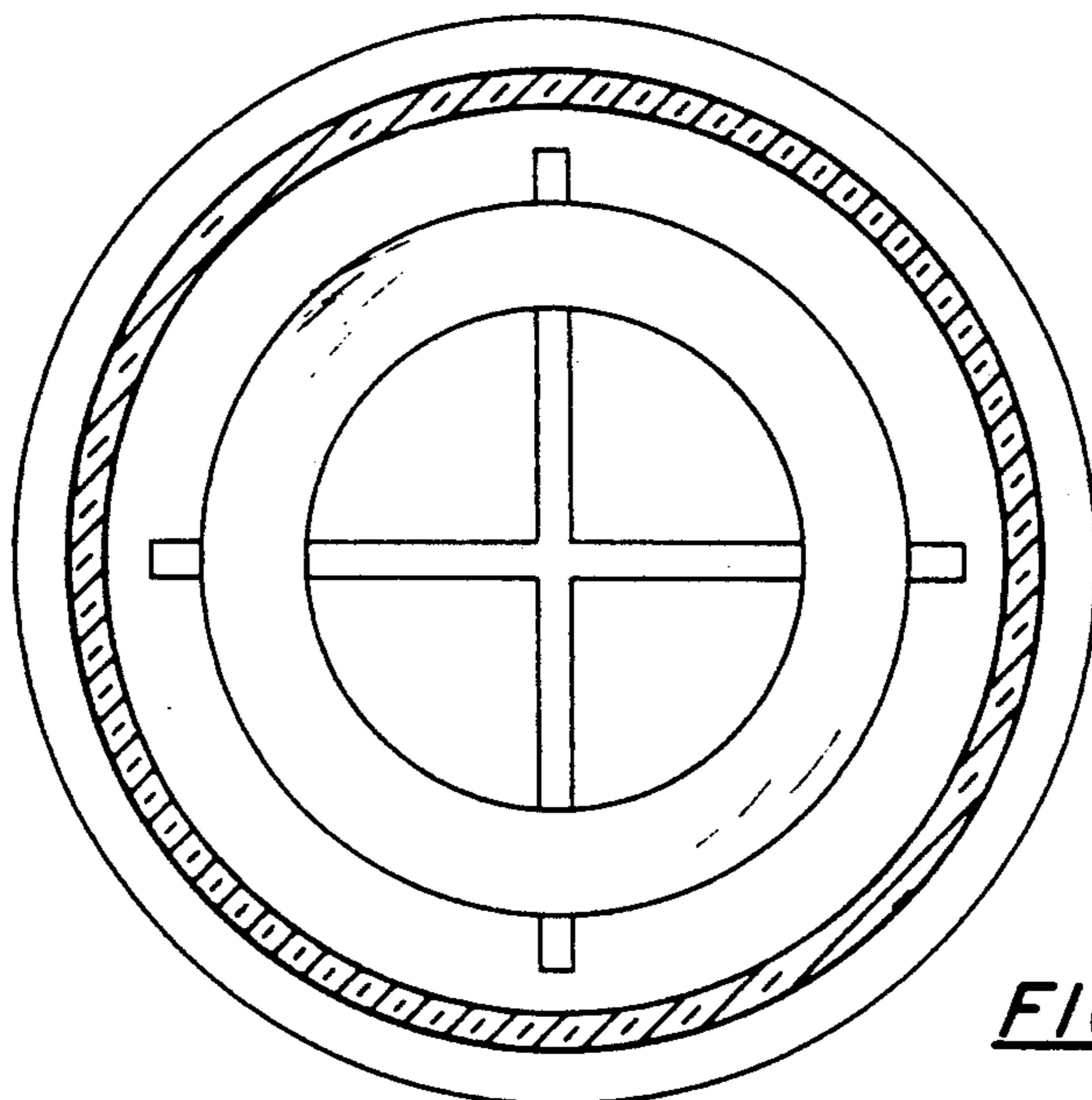


FIG. 5