



US00D332569S

United States Patent [19]

[11] Patent Number: **Des. 332,569**

Noble, Jr.

[45] Date of Patent: **** Jan. 19, 1993**

[54] **PACKAGING CARTON FOR A LADDER**

[76] Inventor: **Robert J. Noble, Jr.**, 42 Plum St.,
Greenville, Pa. 16125

[**] Term: **14 Years**

[21] Appl. No.: **440,734**

[22] Filed: **Nov. 22, 1989**

[52] U.S. Cl. **D9/418**

[58] Field of Search **D9/414, 418, 432, 434;**
206/44 R, 45.14, 45.19, 45.31, 485, 491, 453

[56] **References Cited**

U.S. PATENT DOCUMENTS

D. 244,511	5/1977	Frisbey	D9/432
2,587,828	3/1952	Fogel	206/45.31 X
3,347,357	10/1987	De Soto et al.	206/45.31
4,300,683	11/1981	Roccaforte	206/45.19 X

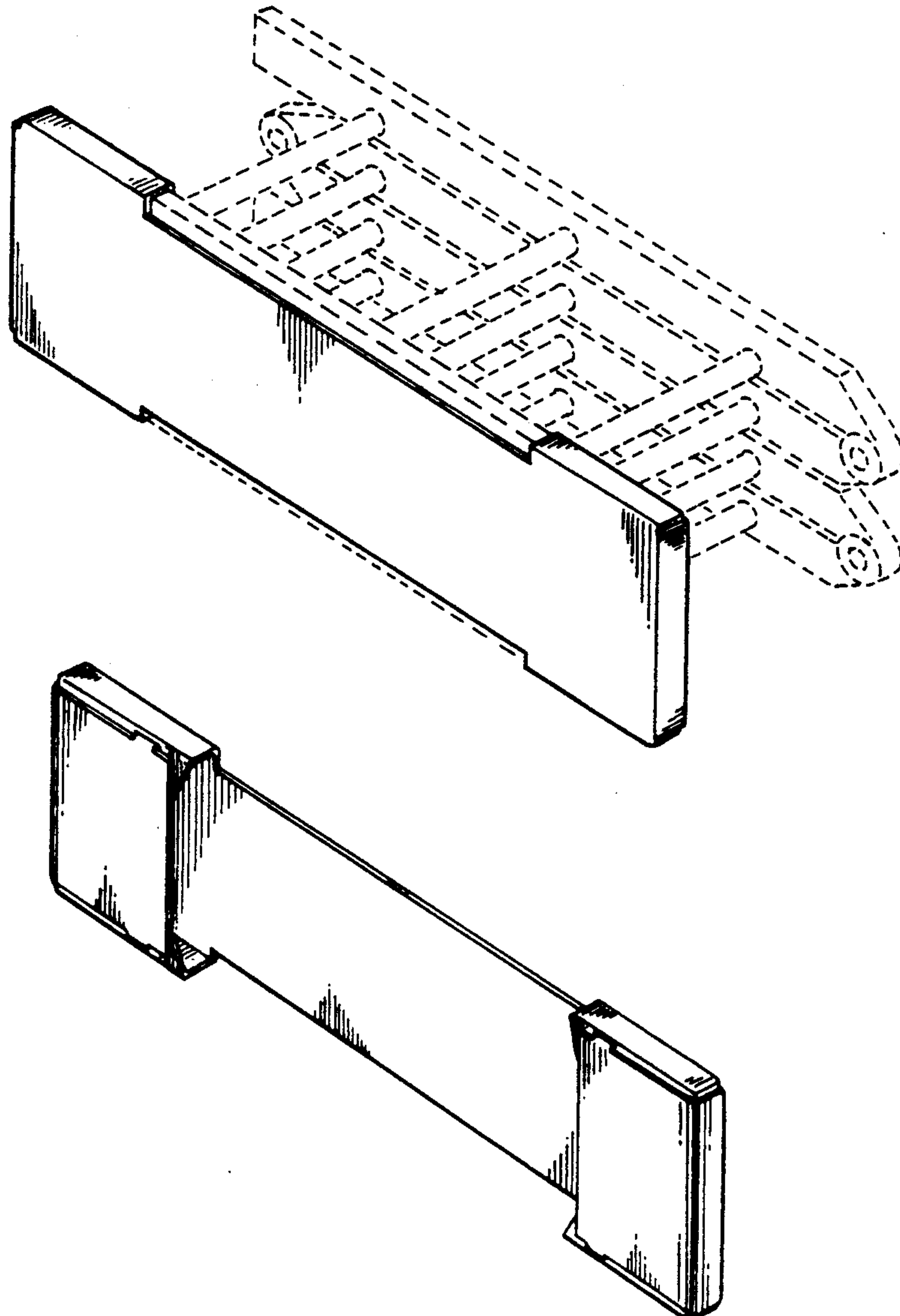
Primary Examiner—Bernard Ansher
Assistant Examiner—C. Tuttle
Attorney, Agent, or Firm—Ansel M. Schwartz

[57] **CLAIM**

The ornamental design for a packaging carton for a ladder, as shown and described.

DESCRIPTION

FIG. 1 is a rear perspective view of a packaging carton for a ladder showing my new design; FIG. 2 is a front perspective view thereof; FIG. 3 is a top plan view thereof; FIG. 4 is a bottom plan view thereof; FIG. 5 is a front elevational thereof; FIG. 6 is a rear elevational view thereof; FIG. 7 is a left side elevational view thereof; and, FIG. 8 is a right side elevational view thereof.



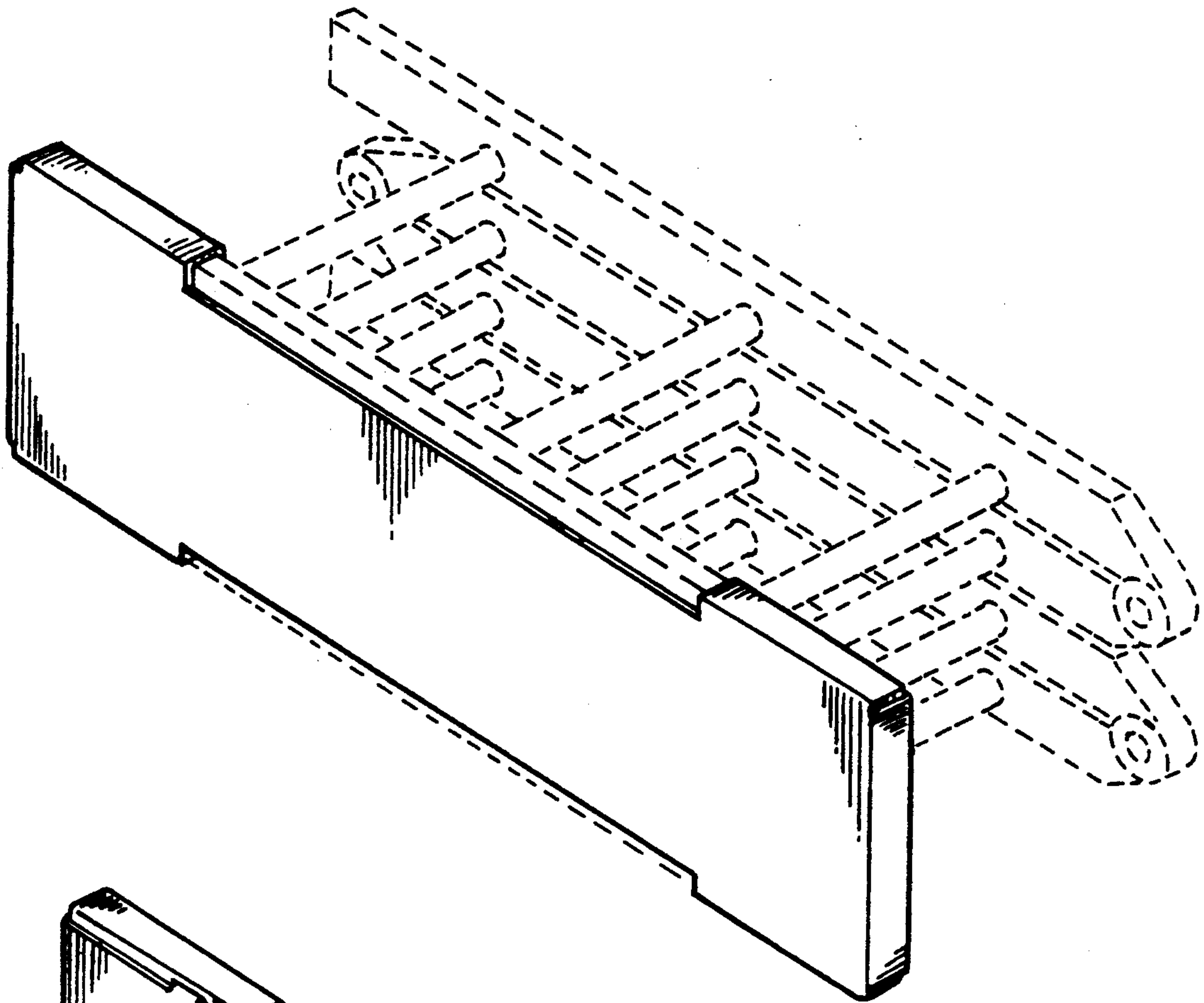


FIG. 1

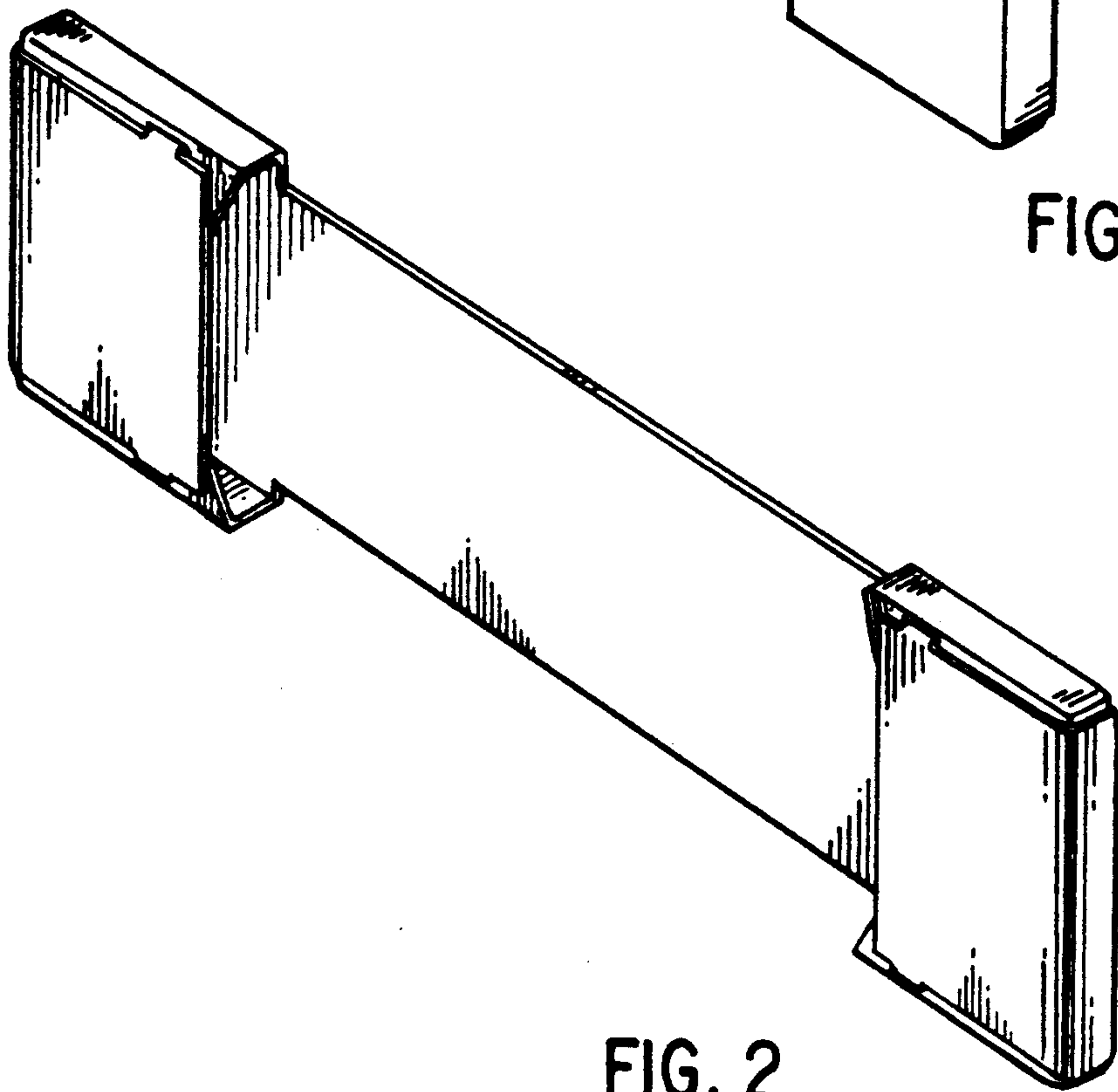


FIG. 2

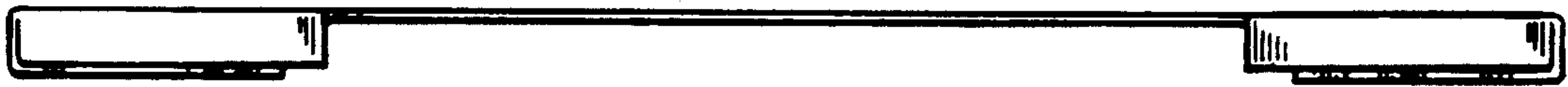


FIG. 3



FIG. 4

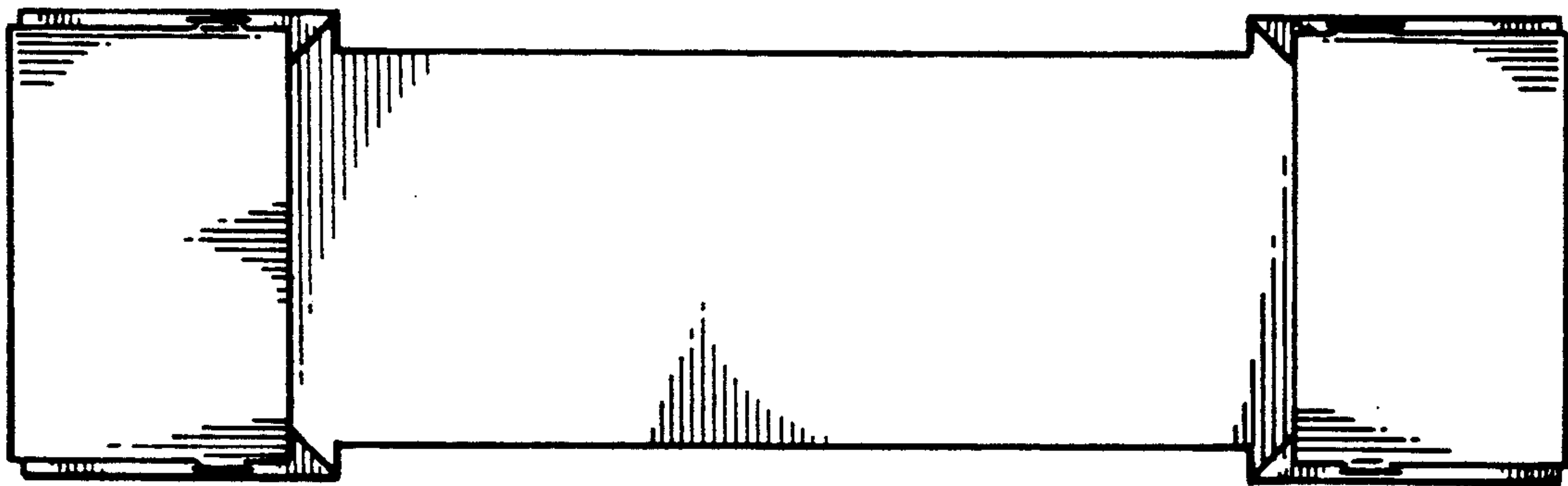


FIG. 5

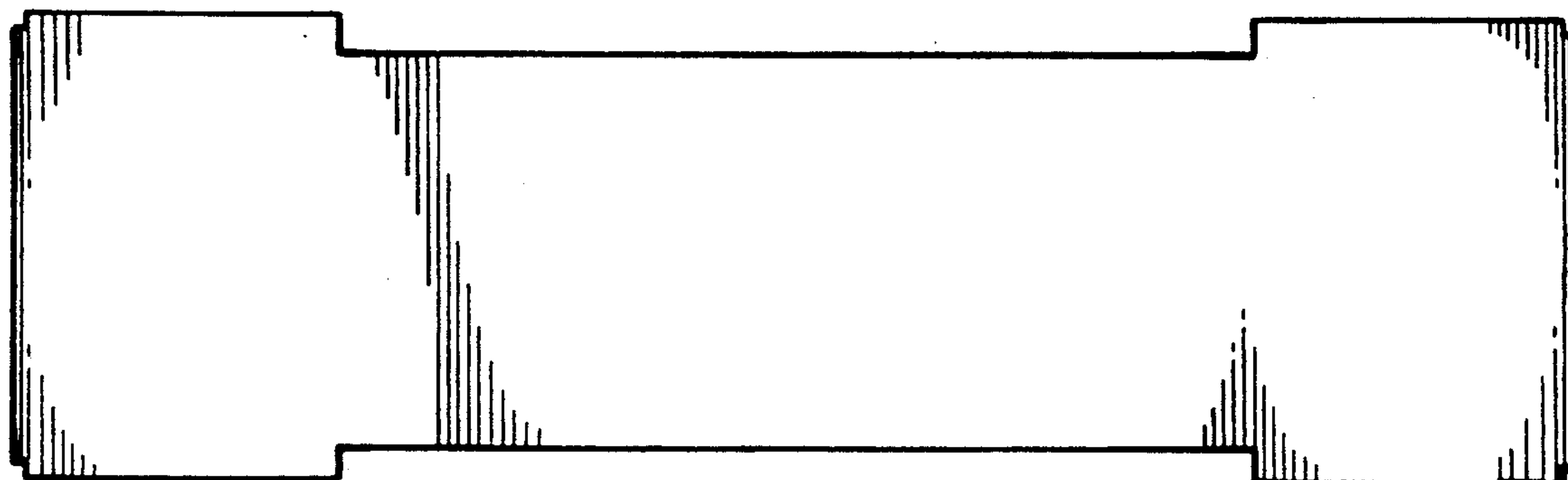


FIG. 6



FIG. 7



FIG. 8