



US00D332567S

United States Patent [19]
Taylor

[11] **Patent Number: Des. 332,567**
[45] **Date of Patent: ** Jan. 19, 1993**

[54] **PIPE FITTER'S TOOL**

[76] **Inventor: Vanus L. Taylor, Rte. 3, Box 171-M, Seale, Ala. 36875**

[**] **Term: 14 Years**

[21] **Appl. No.: 615,638**

[22] **Filed: Nov. 19, 1990**

[52] **U.S. Cl. D8/396; D8/71**

[58] **Field of Search D8/396, 382, 394, 395, D8/71; 285/420, 319, 27, 184, 24, 25**

[56] **References Cited**

U.S. PATENT DOCUMENTS

- D. 275,451 9/1984 Galloway D8/396
- D. 305,608 1/1990 Hahn D8/71
- D. 308,160 5/1990 Sweeny et al. D8/71

- D. 309,094 7/1990 Donis et al. D8/396
- D. 312,390 11/1990 Clement D8/396
- 4,440,423 4/1984 Pfeifler, II 285/25
- 4,613,162 9/1986 Hughes 285/27
- 5,009,454 4/1991 Bariholomew 285/24
- 5,082,391 1/1992 Florida 285/184

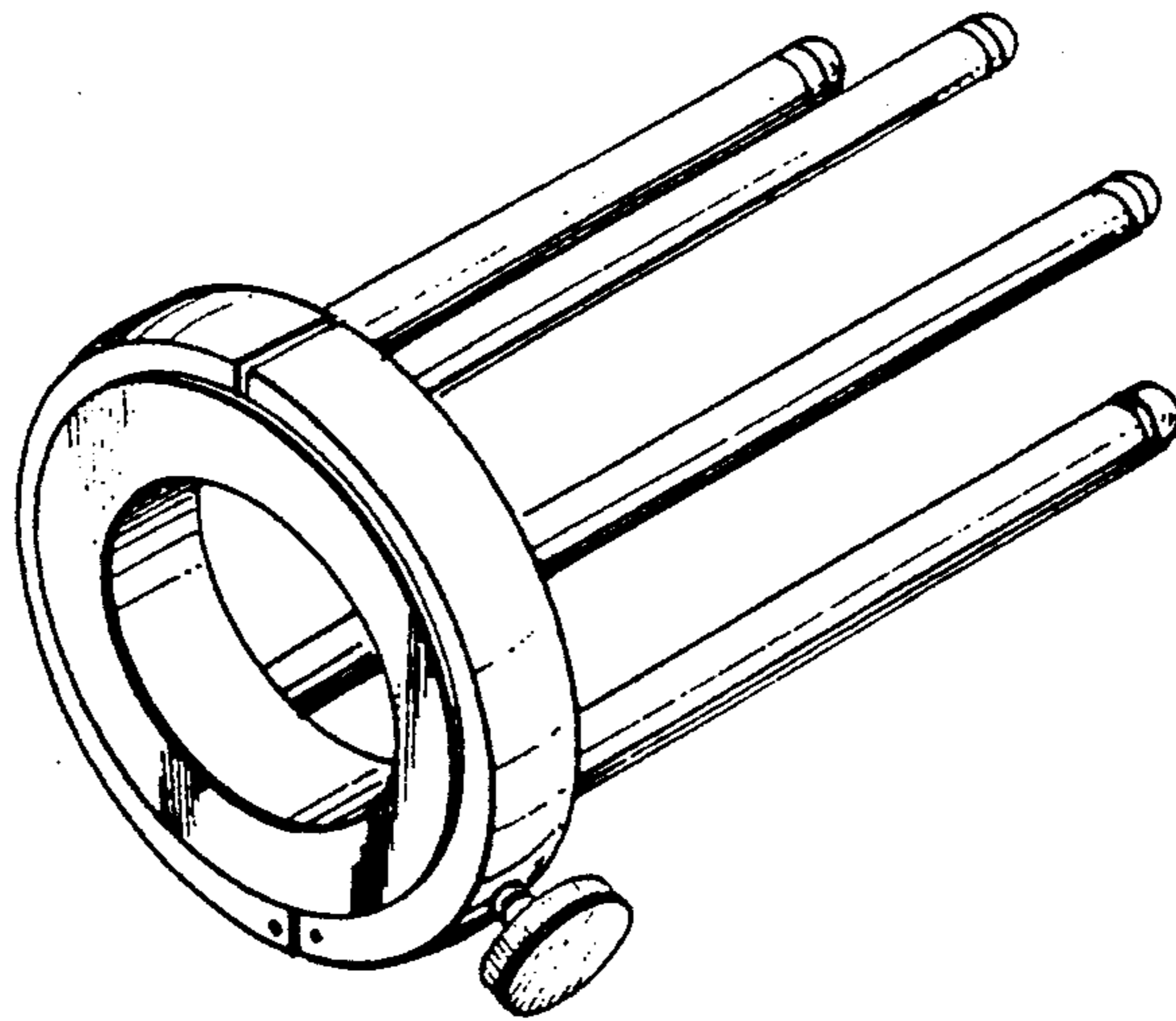
Primary Examiner—Alan P. Douglas
Assistant Examiner—J. H. Musgrove
Attorney, Agent, or Firm—Rodgers & Rodgers

[57] **CLAIM**

The ornamental design for a pipe fitter's tool, as shown.

DESCRIPTION

FIG. 1 is a perspective view of a pipe fitter's tool showing my new design;
FIG. 2 is a left side elevational view thereof;
FIG. 3 is a front elevational view thereof; and,
FIG. 4 is a right side elevational view thereof.



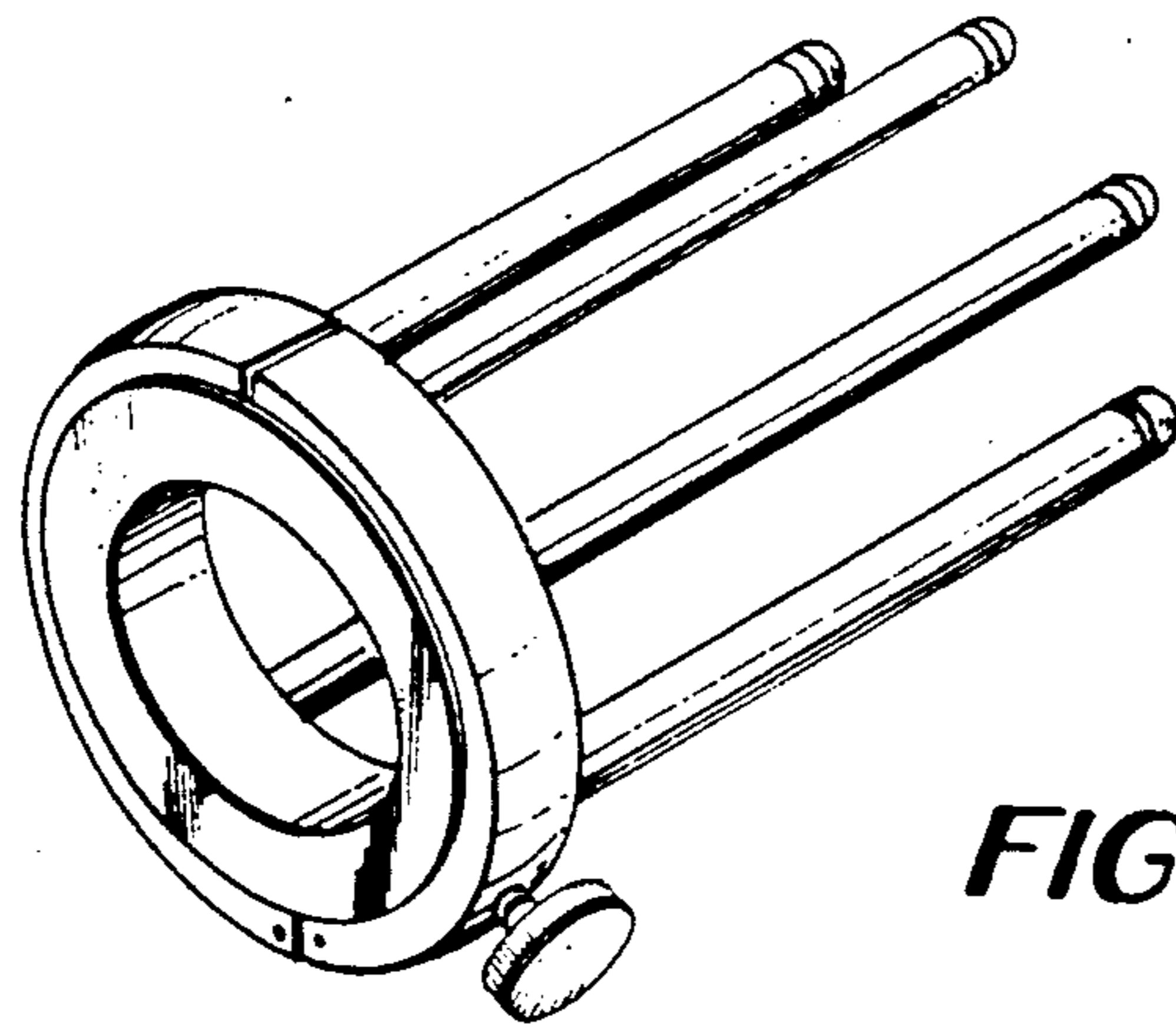


FIG. 1

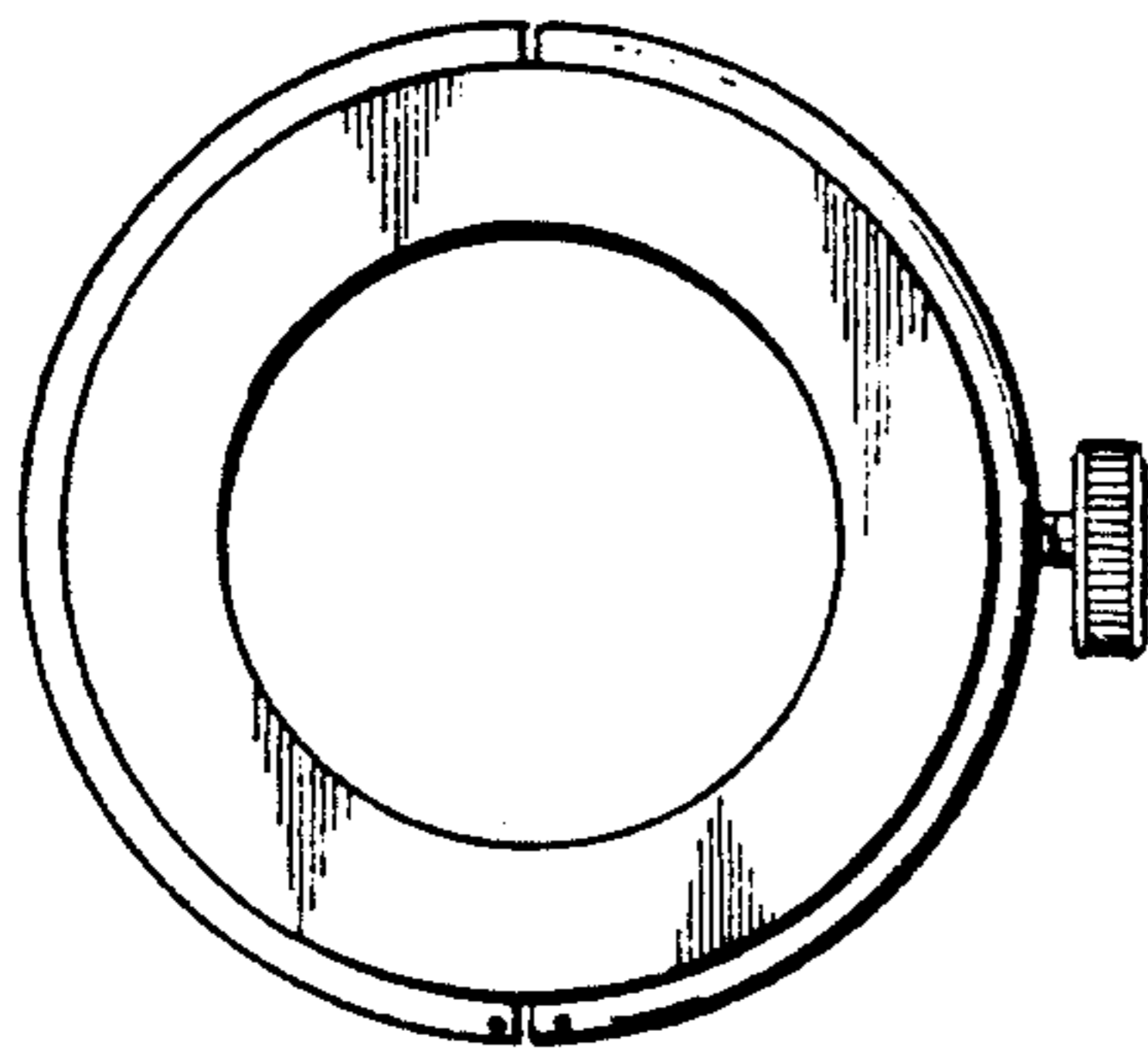


FIG. 2

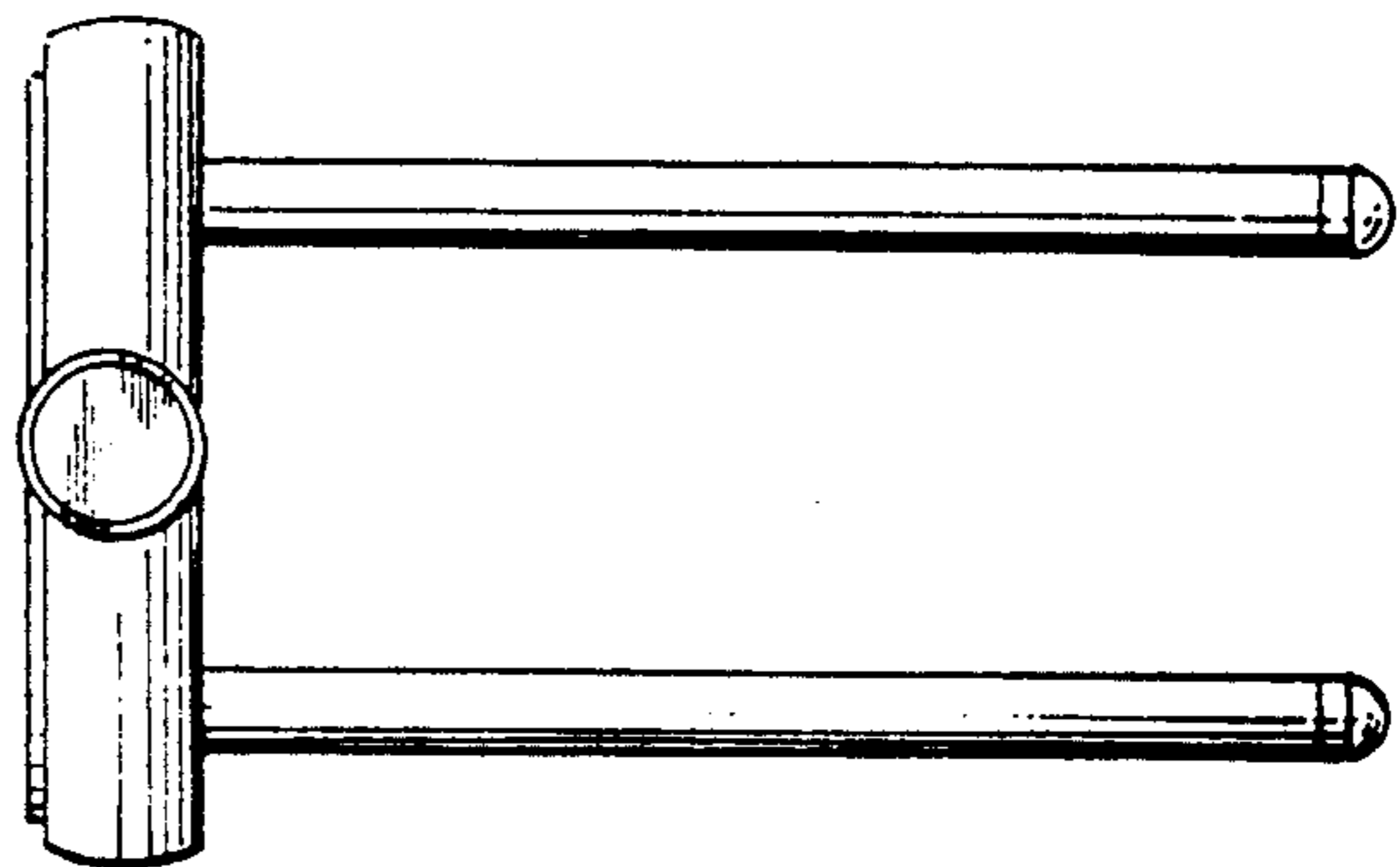


FIG. 3

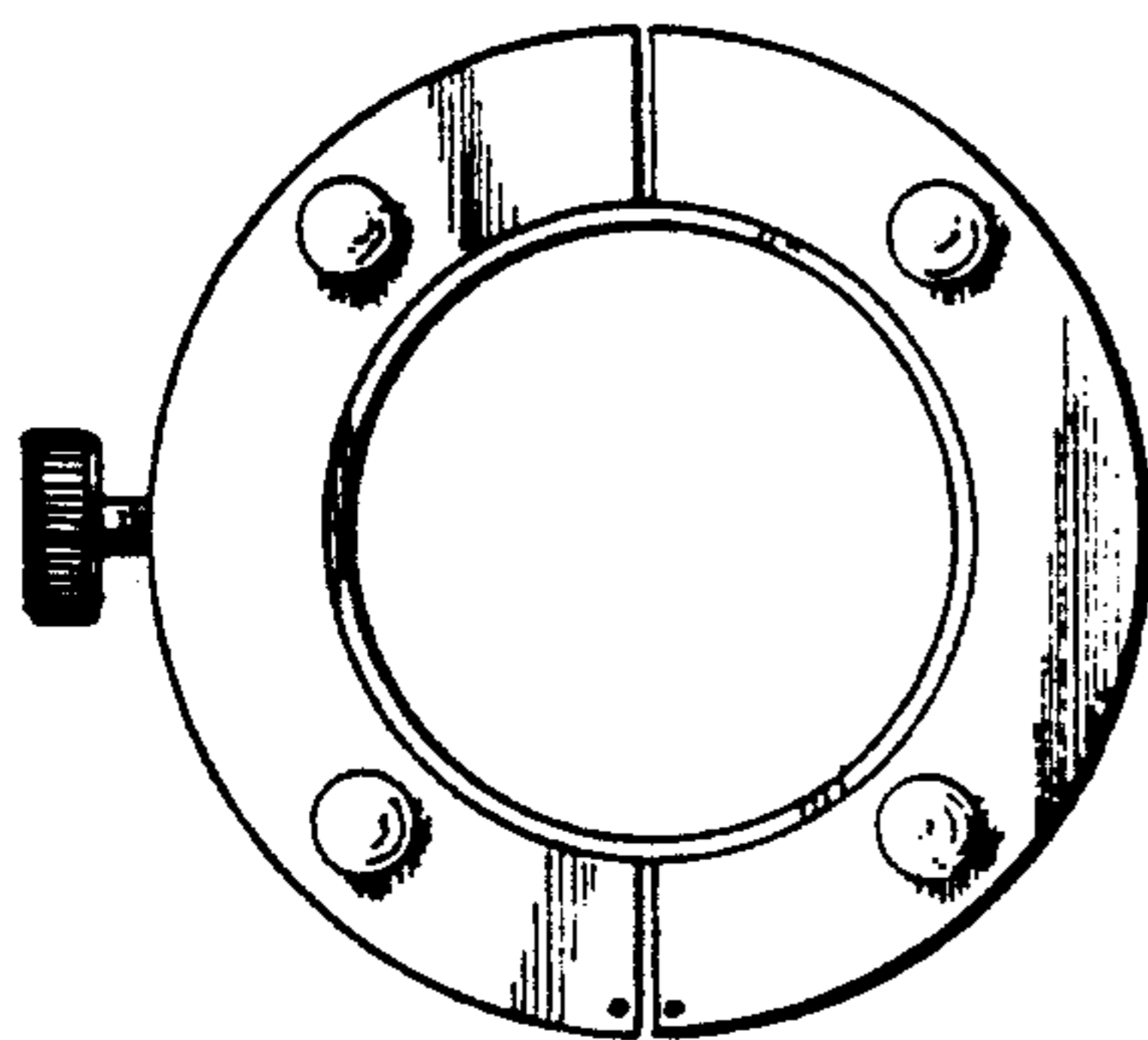


FIG. 4