



US00D332565S

United States Patent [19]

Allred

[11] Patent Number: Des. 332,565

[45] Date of Patent: ** Jan. 19, 1993

[54] DRAWER GUIDE REINFORCER BRACKET

5,007,603 4/1991 Kirschner 248/224.4 X

[75] Inventor: Bobby J. Allred, High Point, N.C.

FOREIGN PATENT DOCUMENTS

[73] Assignee: Allied Metal Stamping Works, High Point, N.C.

2013811 10/1971 Fed. Rep. of Germany 384/19

[**] Term: 14 Years

Primary Examiner—Wallace R. Burke
Assistant Examiner—H. Baynham
Attorney, Agent, or Firm—Rhodes, Coates & Bennett

[21] Appl. No.: 681,167

[57] CLAIM

[22] Filed: Apr. 5, 1991

The ornamental design for a drawer guide reinforcer bracket, as shown and described.

[52] U.S. Cl. D8/354

[58] Field of Search D8/354, 349, 373, 362;
248/224.4, 201, 243, 251, 258, 248; 384/18-19;
312/342, 346, 341.1

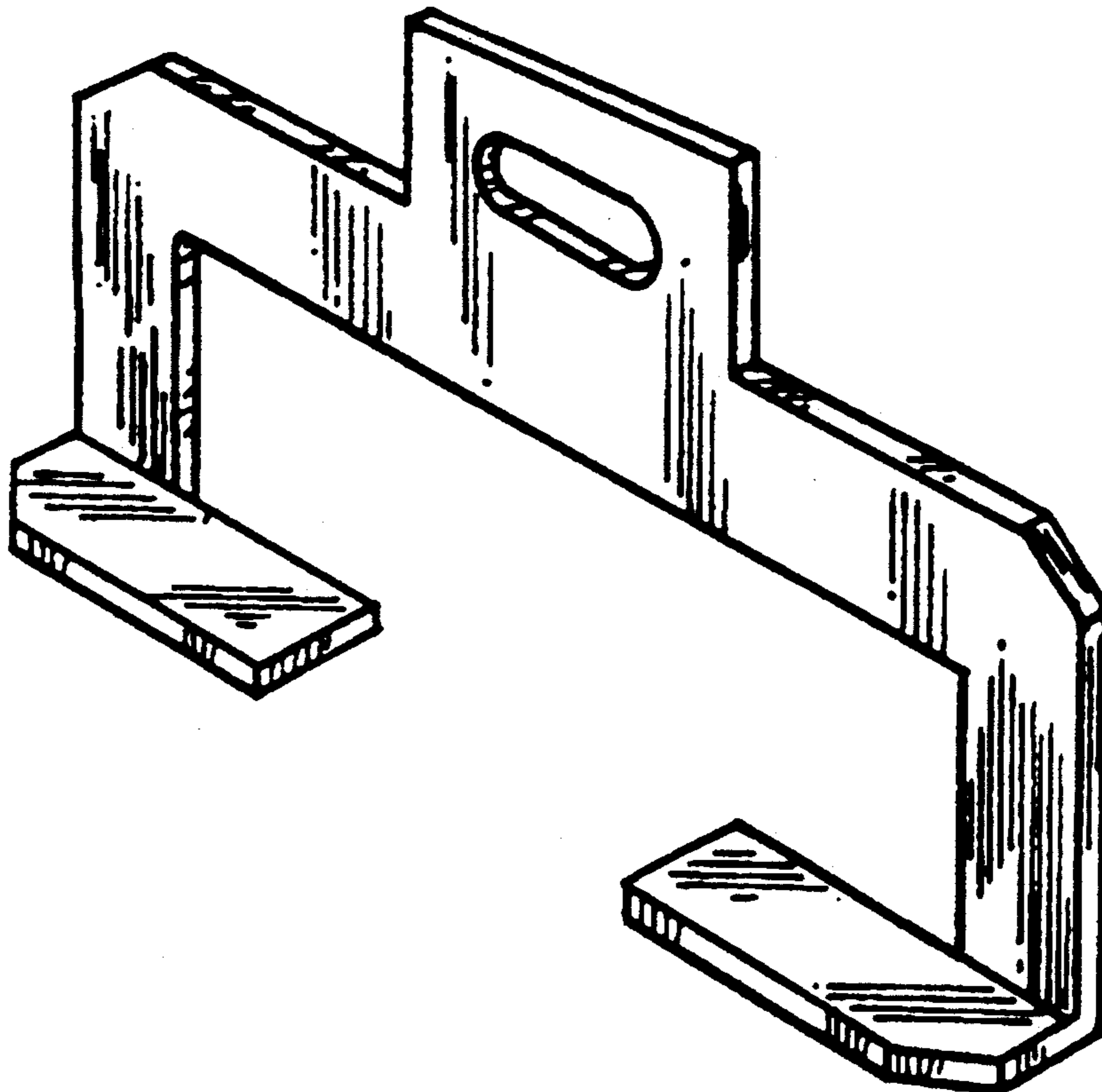
DESCRIPTION

[56] References Cited

U.S. PATENT DOCUMENTS

3,328,107 6/1967 Gutner 384/19 X
4,555,147 11/1985 Jackson 384/19

FIG. 1 is a front perspective view of a drawer guide reinforcer bracket showing my new design;
FIG. 2 is a right side elevational view thereof with the left side being a mirror image thereof;
FIG. 3 is a top plan view thereof;
FIG. 4 is a front elevational view thereof; and,
FIG. 5 is a rear elevational view thereof.



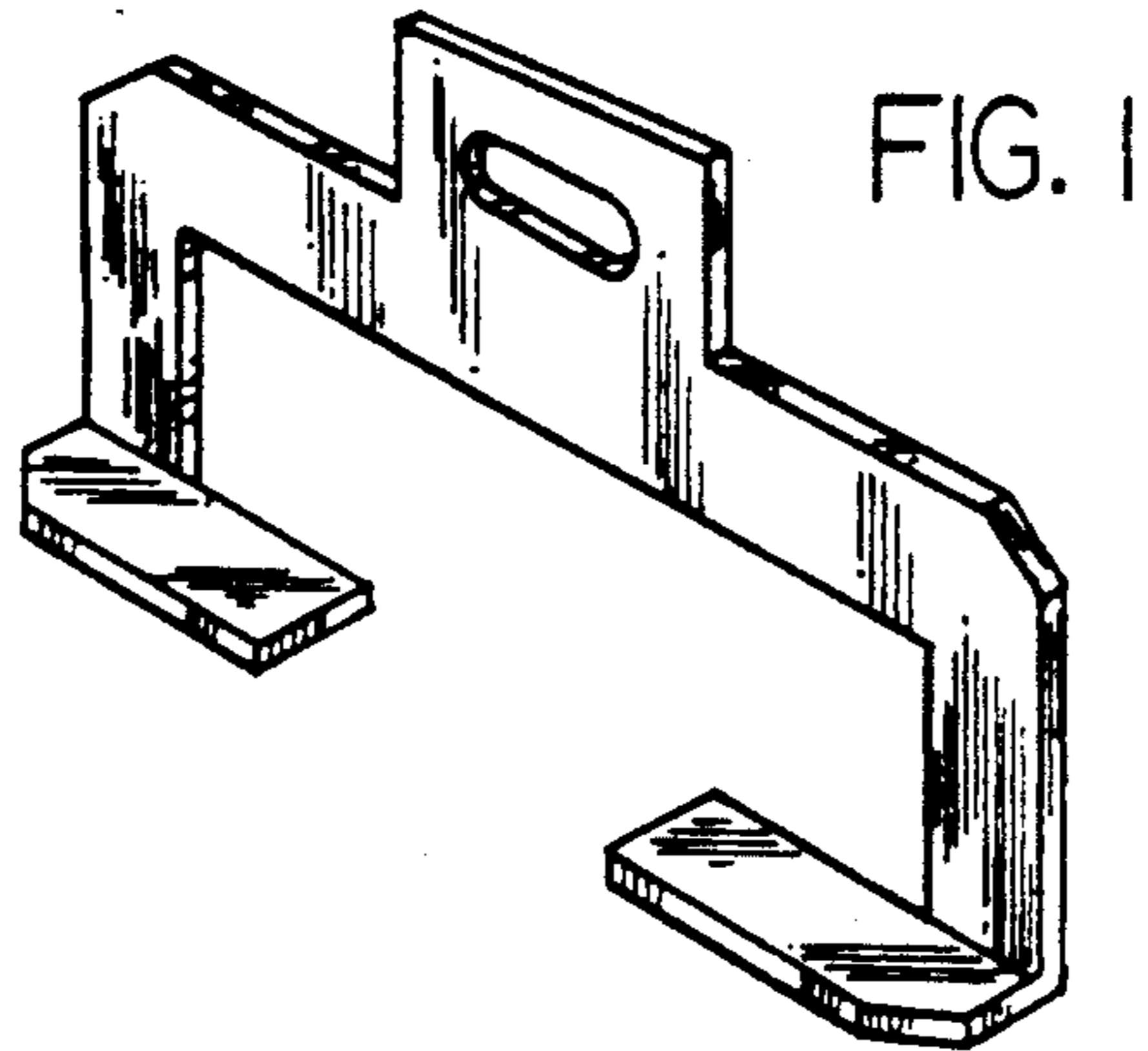


FIG. 1



FIG. 2



FIG. 3

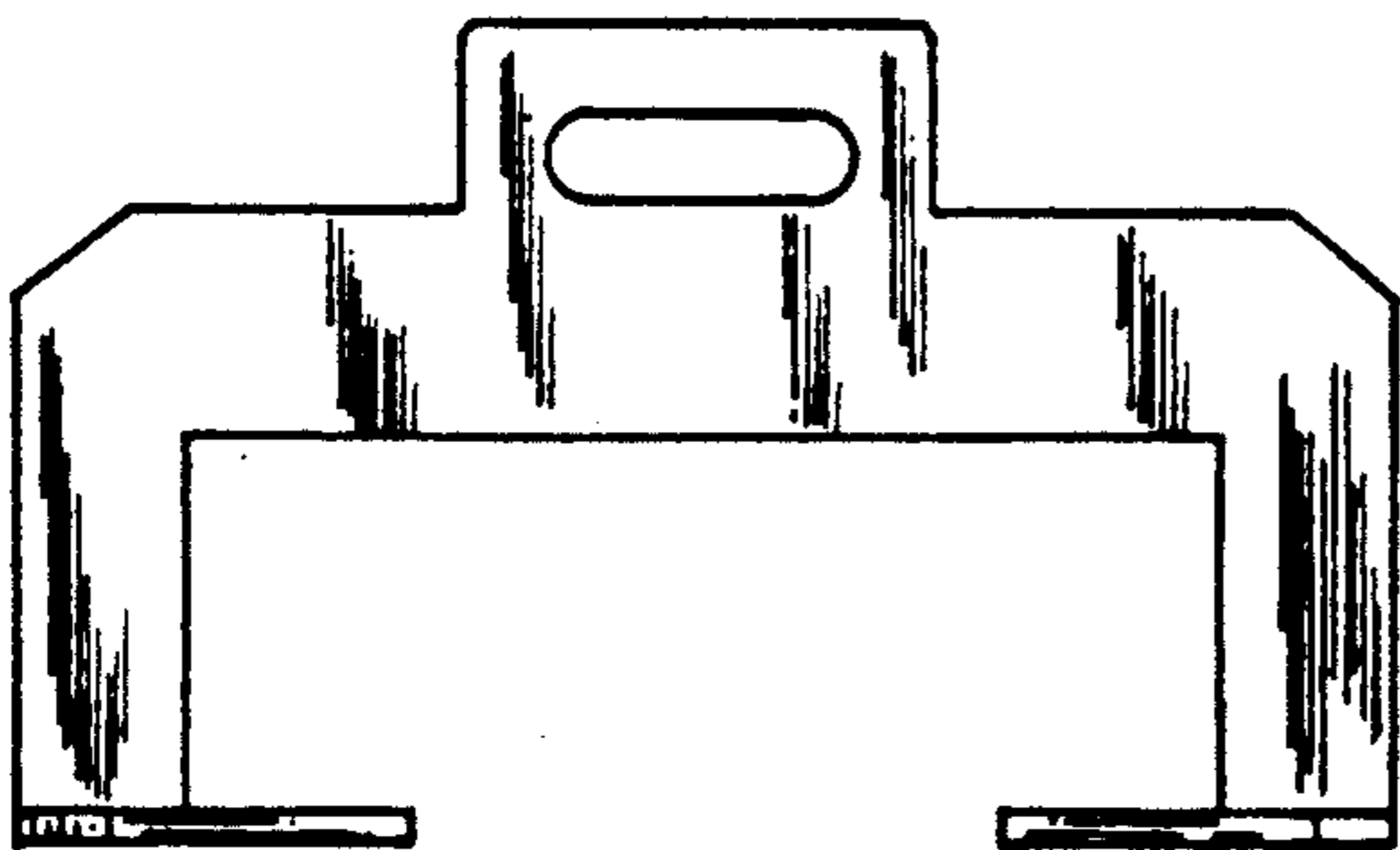


FIG. 4

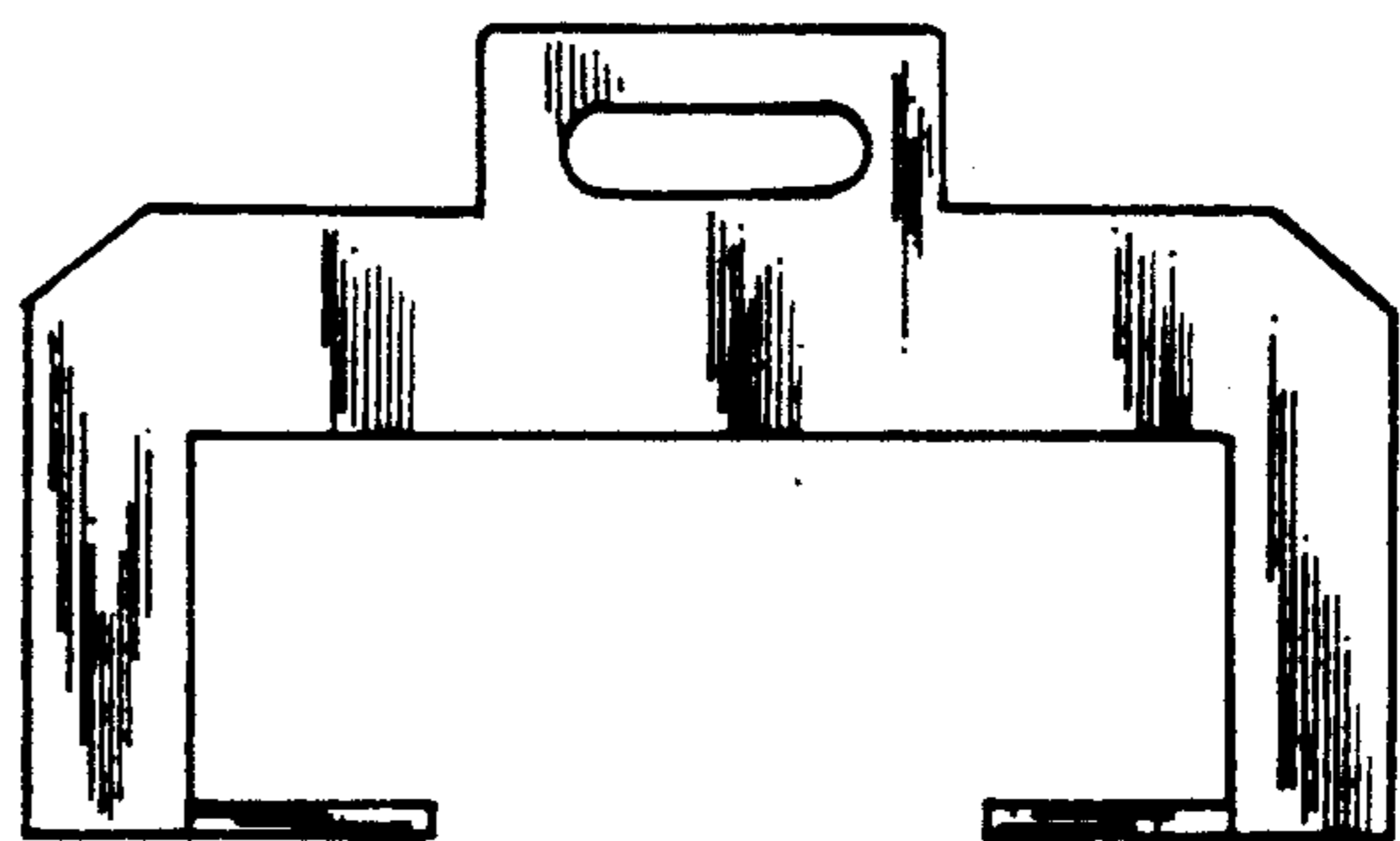


FIG. 5