



US00D332564S

United States Patent [19]

[11] Patent Number: **Des. 332,564**

Santosuosso

[45] Date of Patent: **** Jan. 19, 1993**

[54] **DOOR HANDLE**

D. 050,446 3/1917 Jordan D8/301
4,922,576 5/1990 Weidner et al. 16/110.5

[75] Inventor: **Joseph R. Santosuosso**, Chatsworth, Calif.

OTHER PUBLICATIONS

[73] Assignee: **Anthony's Manufacturing Company, Inc.**, San Fernando, Calif.

Sweet's Architectural Cat. File, 1962; sec. 16a/Kaw; p. 5 pull (upper right corner area).

[**] Term: **14 Years**

Primary Examiner—B. J. Bullock
Attorney, Agent, or Firm—Poms, Smith, Lande & Rose

[21] Appl. No.: **650,725**

[57] CLAIM

[22] Filed: **Feb. 5, 1991**

The ornamental design for a door handle, as shown and described.

[52] U.S. Cl. **D8/314**

[58] Field of Search D8/300, 314, 316, 313;
292/DIG. 46; 16/110 R, 124, 125, 110.5;
D15/81

DESCRIPTION

[56] References Cited

U.S. PATENT DOCUMENTS

D. 113,175 1/1939 Stoner D8/316
D. 167,151 7/1952 Koch D8/314
D. 175,816 10/1955 Winer D8/314
D. 286,882 11/1986 Hong D15/81

FIG. 1 is a right side view of the door handle showing my new design;

FIG. 2 is a top view thereof, the bottom being a mirror image;

FIG. 3 is a front view thereof;

FIG. 4 is a rear view thereof;

FIG. 5 is a left side view thereof; and,

FIG. 6 is a sectional view taken in the direction of the arrows on line 6—6 of FIG. 1.

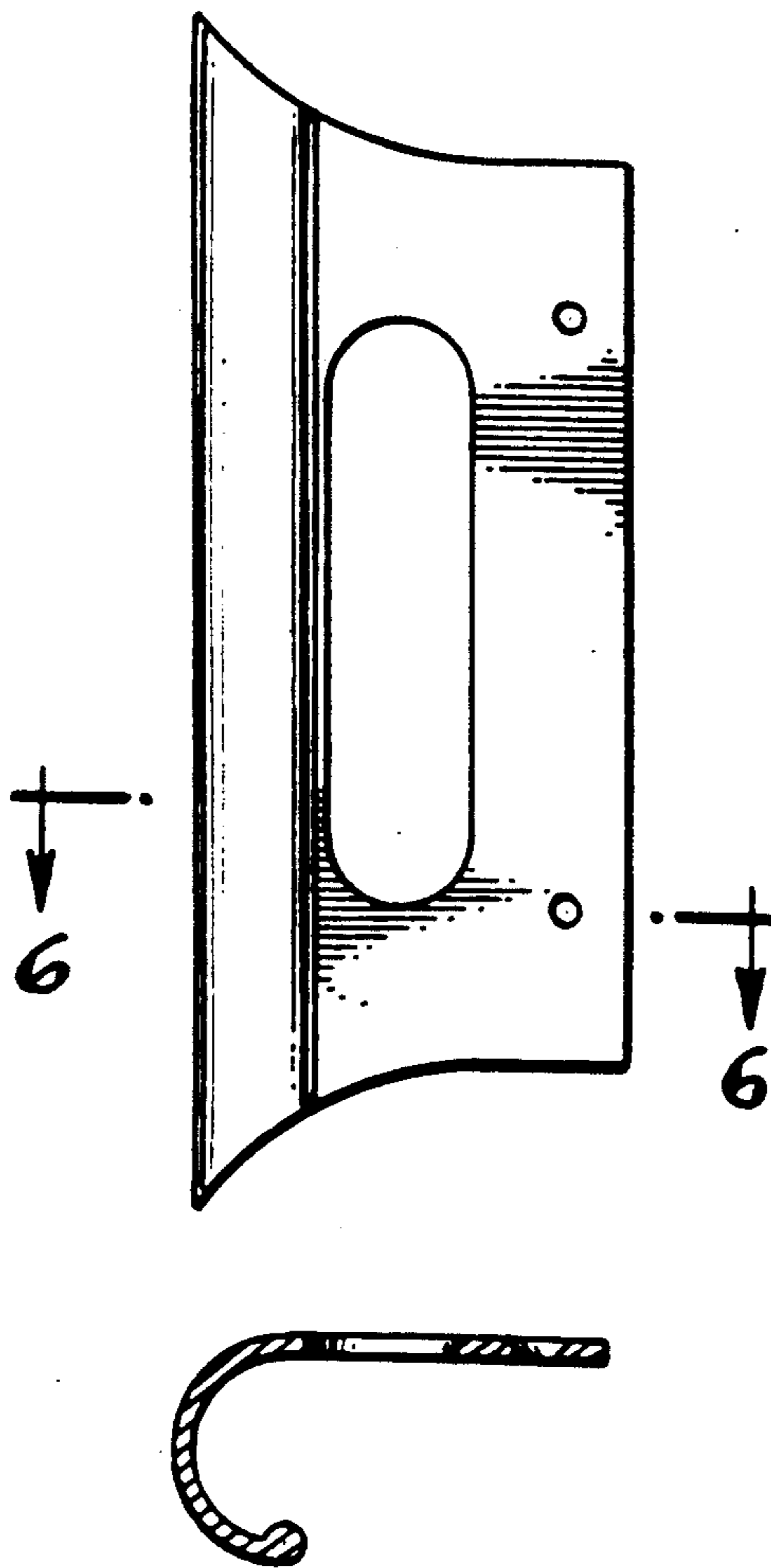


Fig. 2.

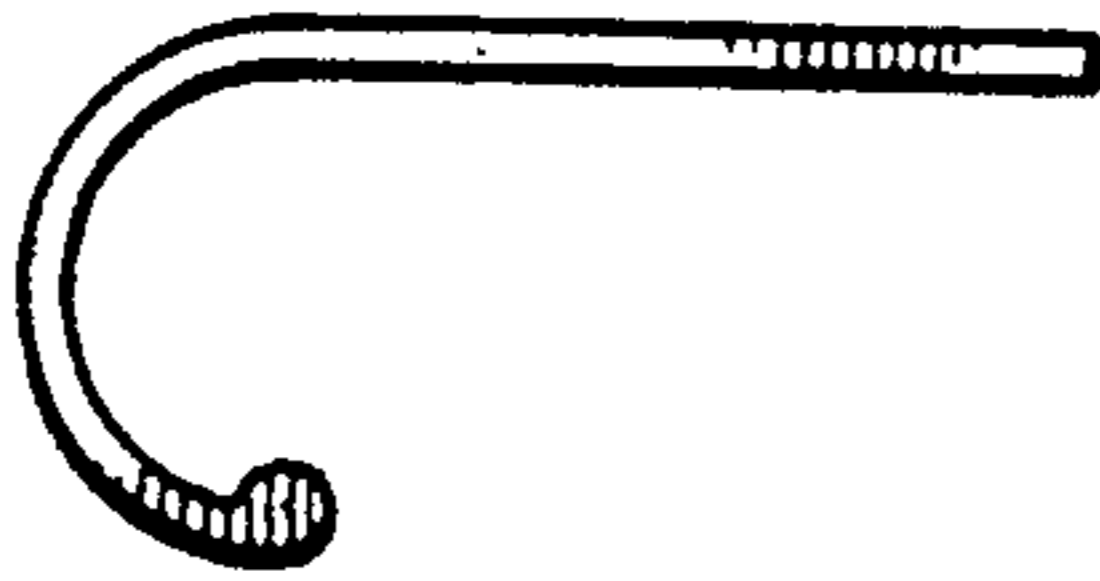


Fig. 6.



Fig. 5.

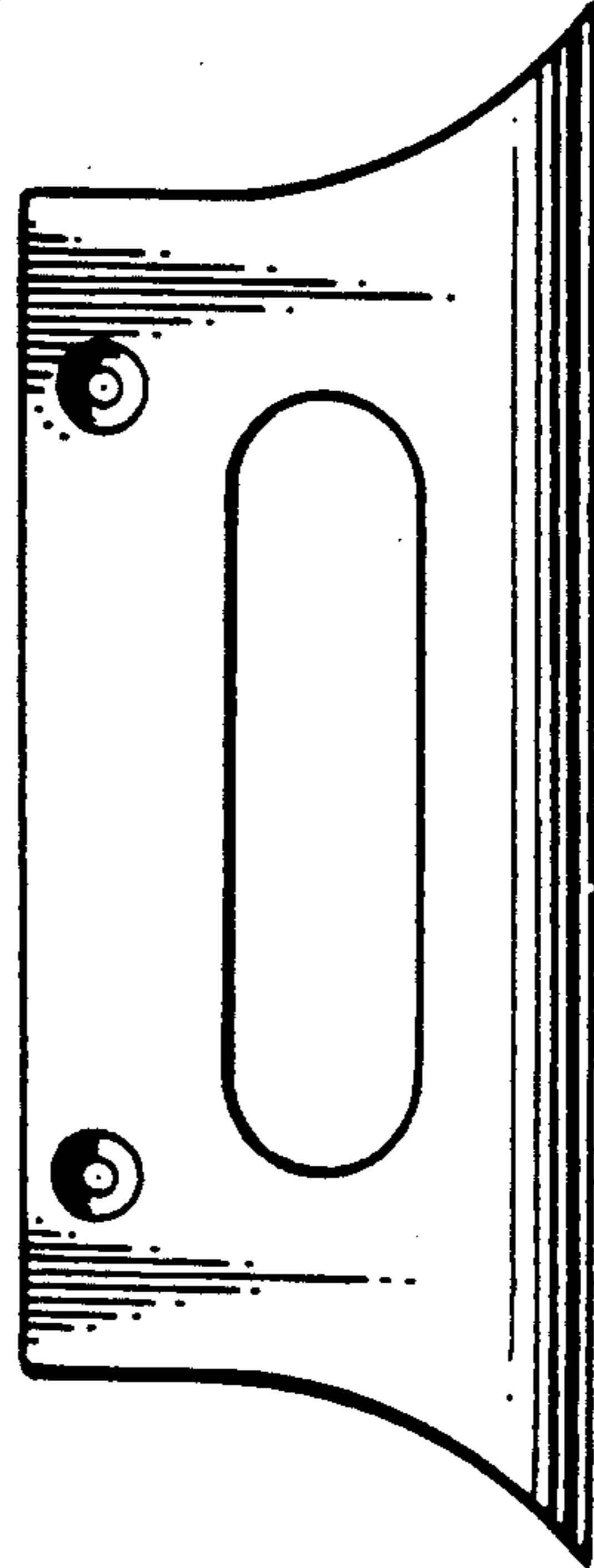


Fig. 3.

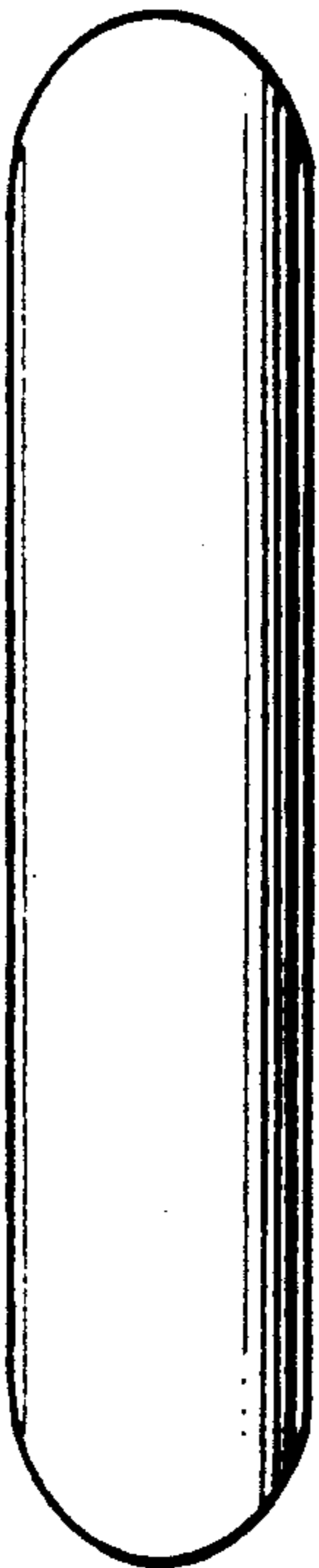


Fig. 1.

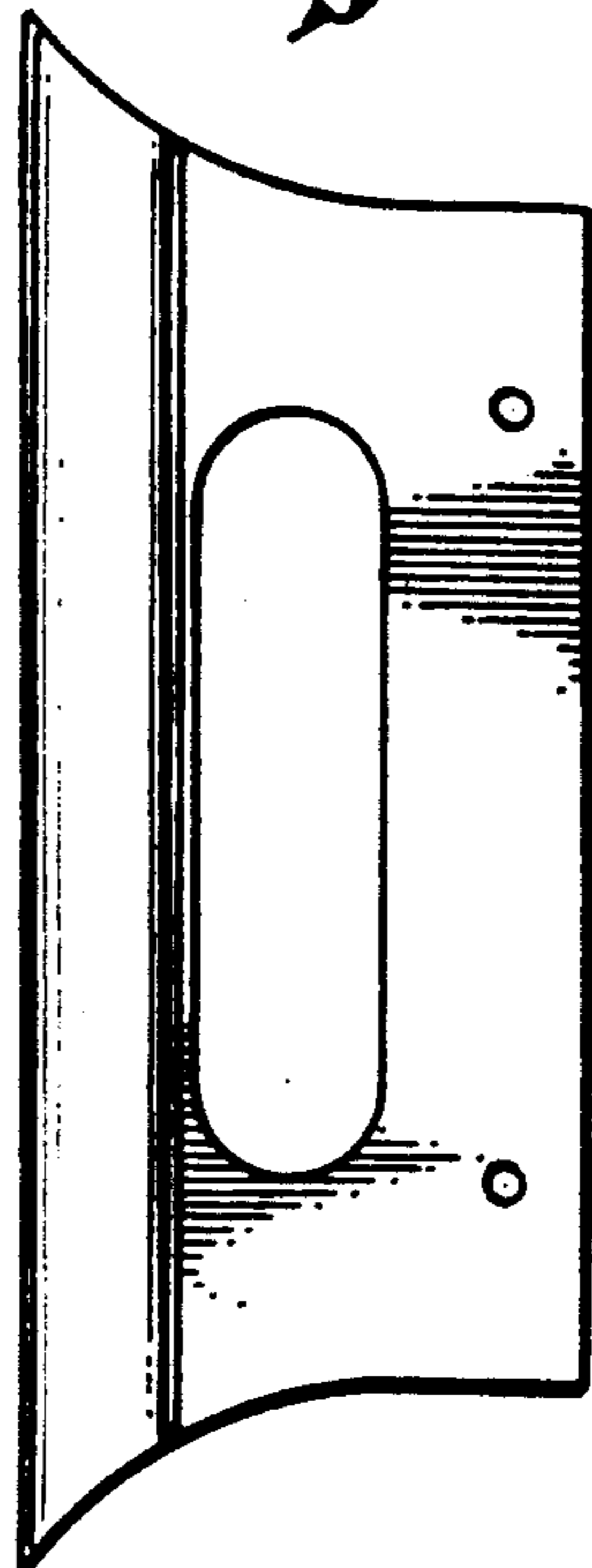


Fig. 4.

