



US00D332563S

# United States Patent [19]

Lurkis

[11] Patent Number: Des. 332,563

[45] Date of Patent: \*\* Jan. 19, 1993

## [54] PAIR OF BICYCLE HANDLEBAR GRIPS

[76] Inventor: Jeffry L. Lurkis, 7726 Willow Glen Rd., Los Angeles, Calif. 90046

[\*\*] Term: 14 Years

[21] Appl. No.: 781,935

[22] Filed: Oct. 22, 1991

[52] U.S. Cl. .... D8/303

[58] Field of Search ..... D8/303, 14; D3/7, 12, D3/16; D21/198, 222, 230; 74/551.1, 551.8, 551.9; 135/65-72

## [56] References Cited

### U.S. PATENT DOCUMENTS

D. 246,612	12/1977	Hosick	.....	D21/230
D. 246,806	12/1977	Iezzi	.....	D21/230
D. 269,850	7/1983	Preisler	.....	D8/303
D. 273,935	5/1984	Bolster et al.	.....	D8/303
D. 317,243	6/1991	Everding et al.	.....	D8/14
D. 320,922	10/1991	Furkes	.....	D8/303
D. 321,817	11/1991	Hughes	.....	D8/14
D. 324,634	3/1992	Chen	.....	D8/303
4,941,369	7/1990	Specht et al.	.....	74/551.9
4,972,733	11/1990	Olms et al.	.....	74/551.9

## OTHER PUBLICATIONS

American Bicyclist & Motorcyclist, Apr. 1990, p. 44, the ODI bicycle handlebar grip (No. 1).  
 American Bicyclist & Motorcyclist, Apr. 1991, pp. 40 & 62, the ATI mountain bike & CB-3207 handlebar grips.  
 American Bicyclist & Motorcyclist, Sep. 1991, pp. 68 & 75, the handlebar grips (A, B & C) and the ODI handlebar grips (No. 1).  
 American Bicyclist & Motorcyclist, Aug. 1990, p. 21, the Velo handlebar grip, No. 2.

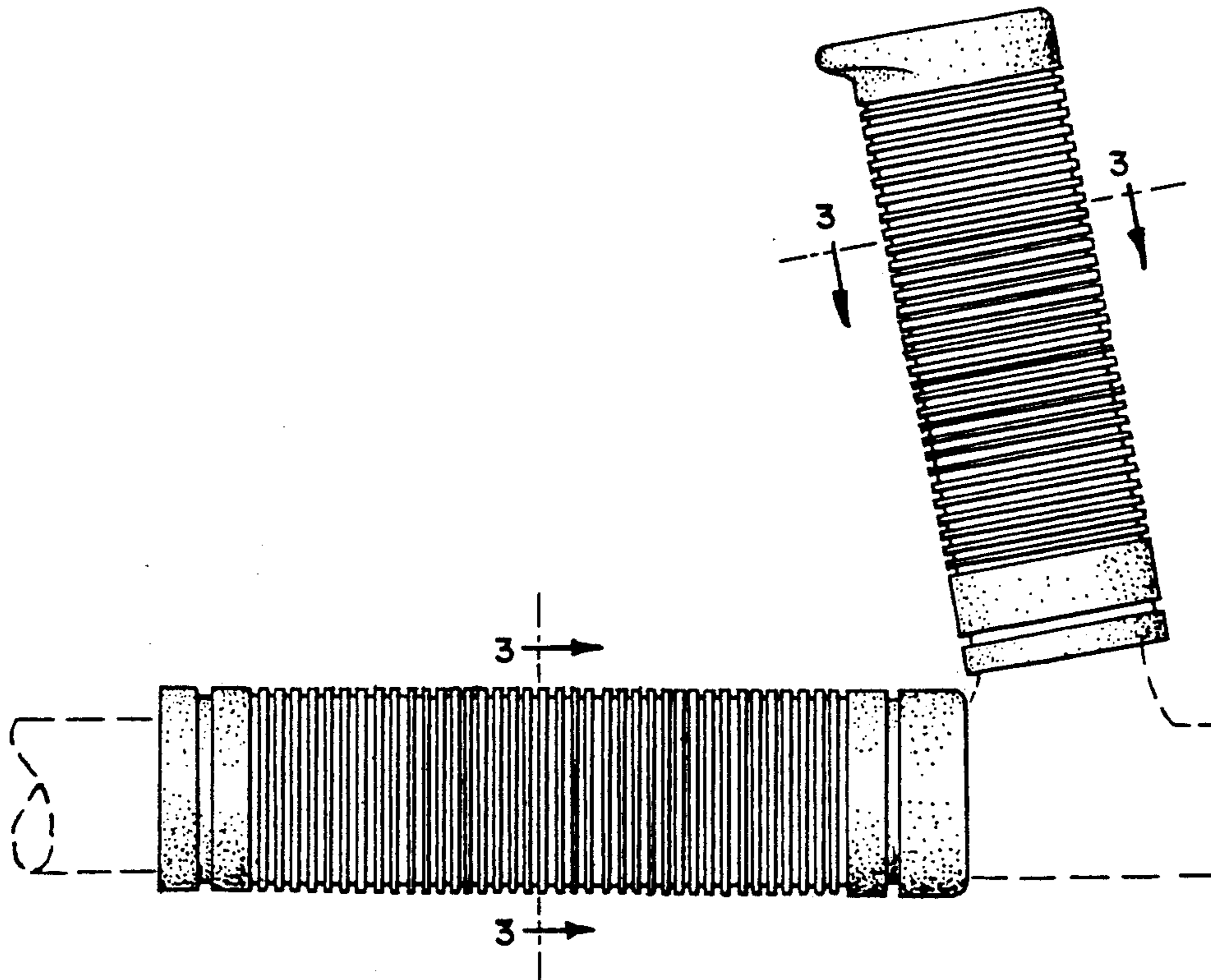
Primary Examiner—Wallace R. Burke  
 Assistant Examiner—M. Brown  
 Attorney, Agent, or Firm—Edward A. Sokolski

## [57] CLAIM

The ornamental design for a pair of bicycle handlebar grips, as shown and described.

## DESCRIPTION

FIG. 1 is a side elevational view of a pair of bicycle handlebar grips showing my new design, it being understood that the broken lines are for illustrative purposes only and form no part of the claimed design;  
 FIG. 2 is a left end elevational view of the left hand grip thereof;  
 FIG. 3 is a cross sectional view taken thereof along the 3—3 in FIG. 1; and,  
 FIG. 4 is a top plan of the right hand grip thereof, the bottom appearing the same as shown in FIG. 2.  
 The side opposite to that shown in FIG. 1 is a mirror image of that shown in FIG. 1.



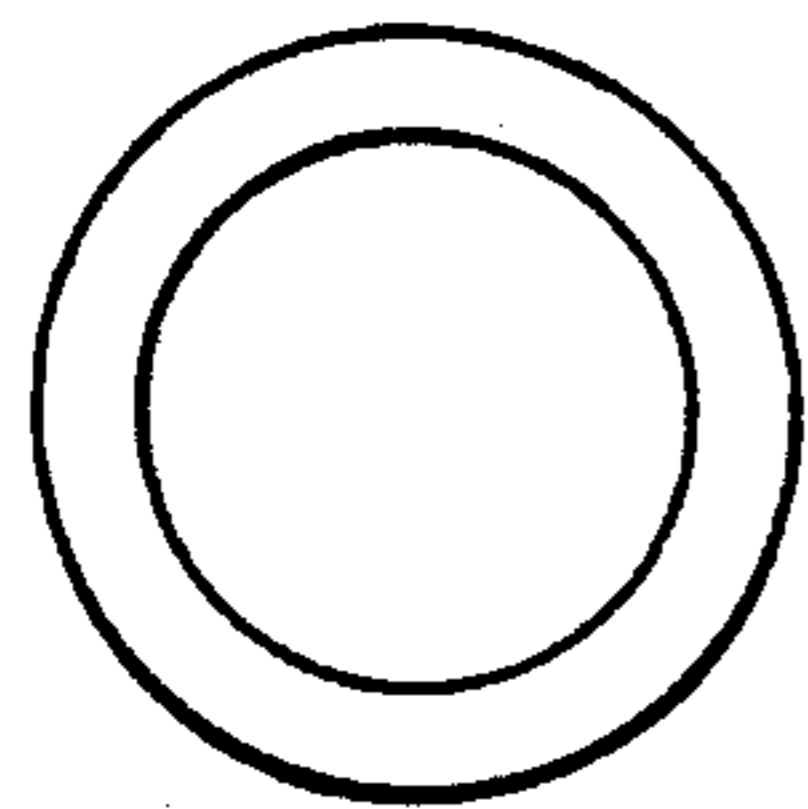
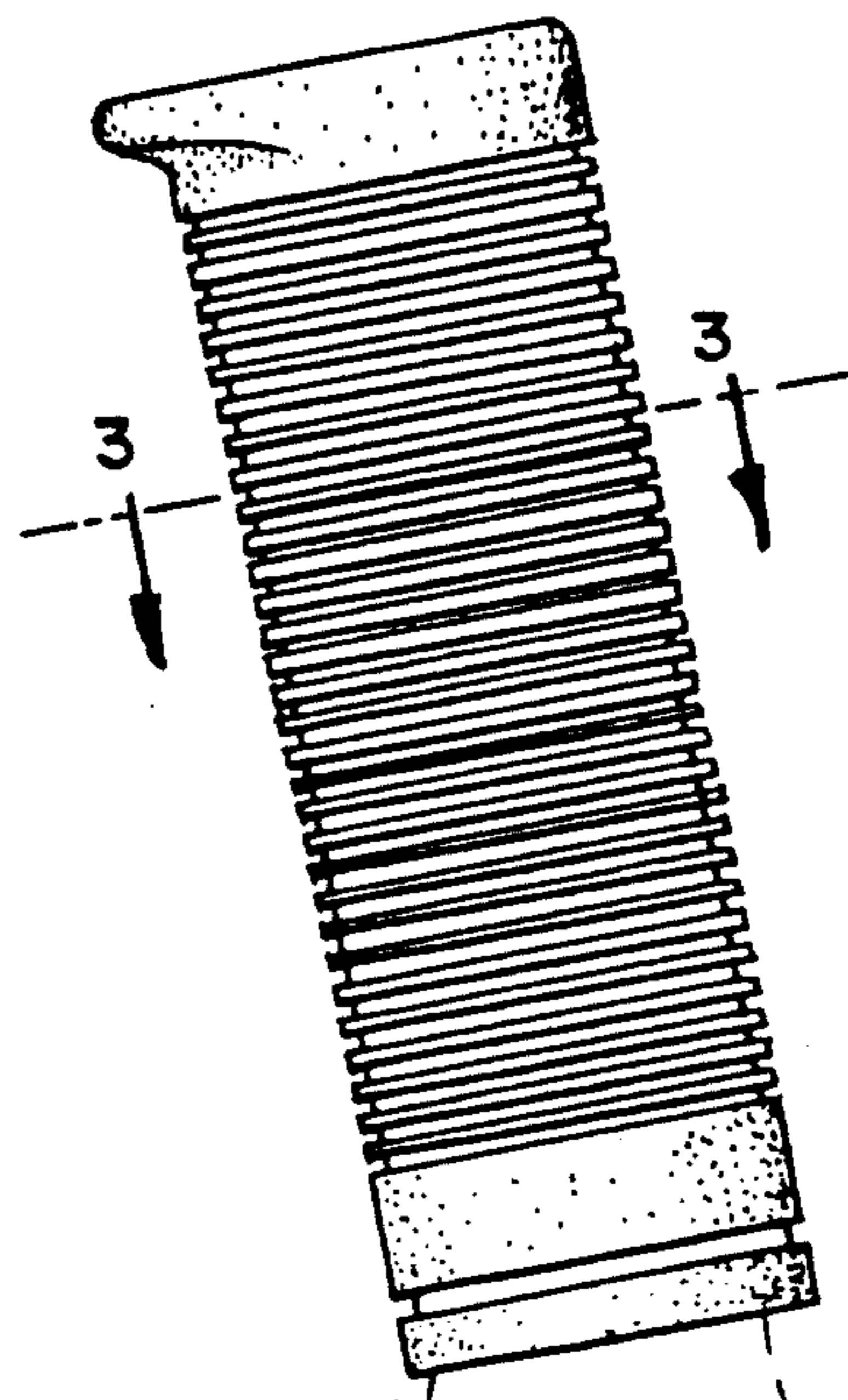
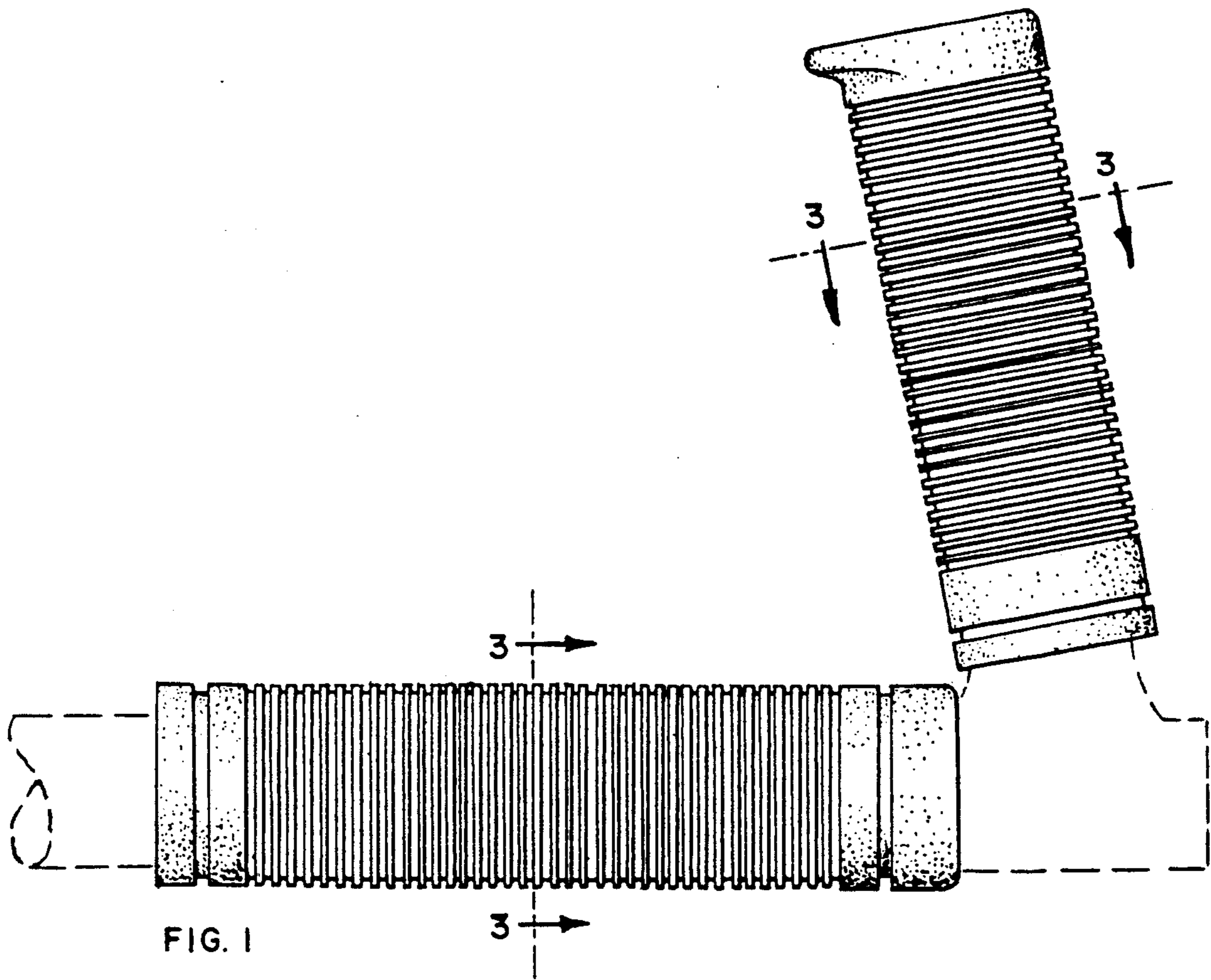


FIG. 2

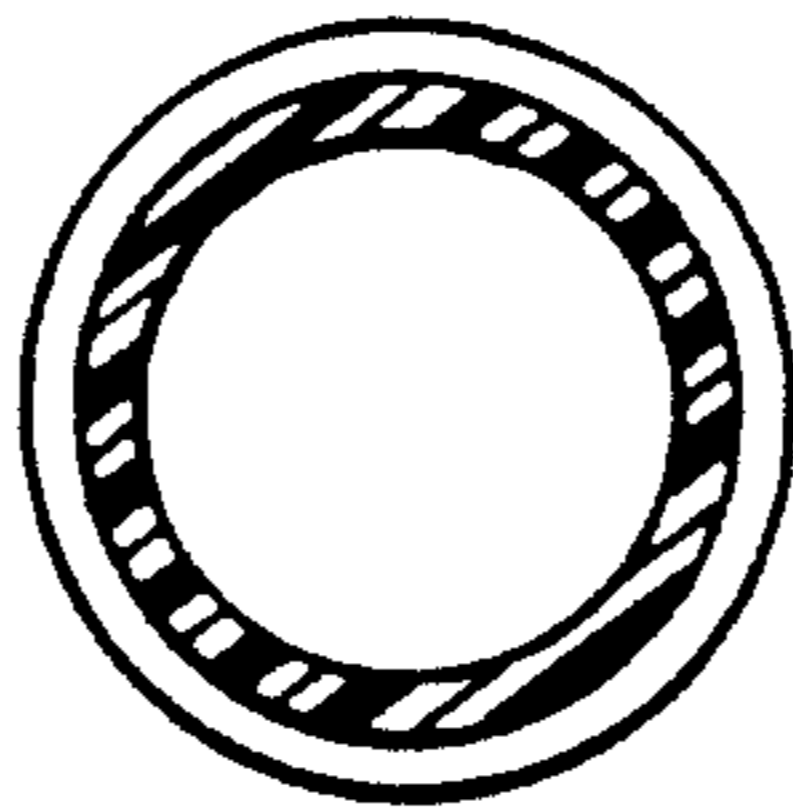


FIG. 3

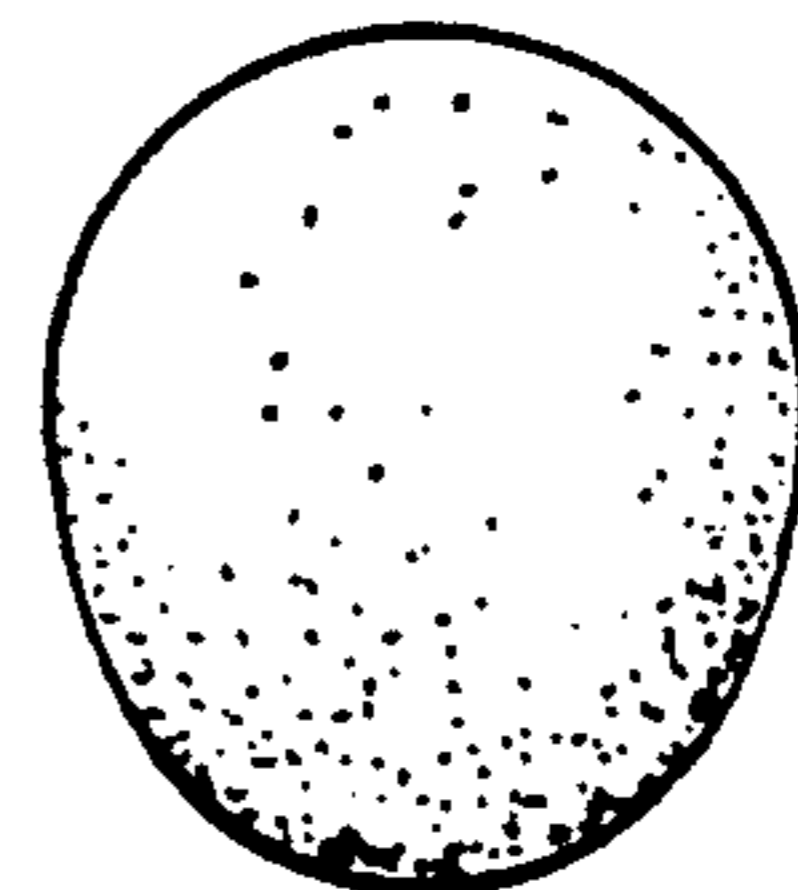


FIG. 4