



US00D332562S

# United States Patent [19]

[11] Patent Number: **Des. 332,562**

Fremont et al.

[45] Date of Patent: **\*\* Jan. 19, 1993**

[54] **COMBINED SUPPORT CLAMP AND ELECTRICAL RECEPTACLE**

4,828,210 5/1989 Anderson et al. .... 248/231.7  
4,844,397 7/1989 Skakoon et al. .... 248/231.7

[75] Inventors: **Robert S. Fremont, Deerfield; Gary P. Wereley, Wheaton, both of Ill.**

*Primary Examiner*—Alan P. Douglas  
*Assistant Examiner*—J. H. Musgrove  
*Attorney, Agent, or Firm*—Anthony S. Zummer

[73] Assignee: **Juno Lighting, Inc., Des Plaines, Ill.**

[57] **CLAIM**

[\*\*] Term: **14 Years**

The ornamental design for a combined support clamp and electrical receptacle, as shown and described.

[21] Appl. No.: **657,541**

**DESCRIPTION**

[22] Filed: **Feb. 19, 1991**

[52] U.S. Cl. .... **D8/73**

[58] Field of Search ..... D8/72, 73; 248/72, 231.7,  
248/231.3, 216, 228; 269/143, 239, 238, 249,  
240, 152, 246

FIG. 1 is a front, bottom and left-side perspective view of a combined support clamp and electrical receptacle showing our new design;

FIG. 2 is a left side elevational view, the right side being a mirror image;

FIG. 3 is a front elevational view thereof;

FIG. 4 is a rear elevational view thereof;

FIG. 5 is a top plan view thereof; and,

FIG. 6 is a bottom plan view thereof.

A lamp holder and portions of a support rod and an electrical cord are shown in broken lines for illustrative purposes only.

[56] **References Cited**

**U.S. PATENT DOCUMENTS**

- D. 278,913 5/1985 Hanke ..... D8/73
- D. 296,515 7/1988 Cors ..... D8/73
- D. 329,007 9/1992 Yoder ..... D8/73
- 3,997,152 12/1976 Sass et al. .... D8/73 X

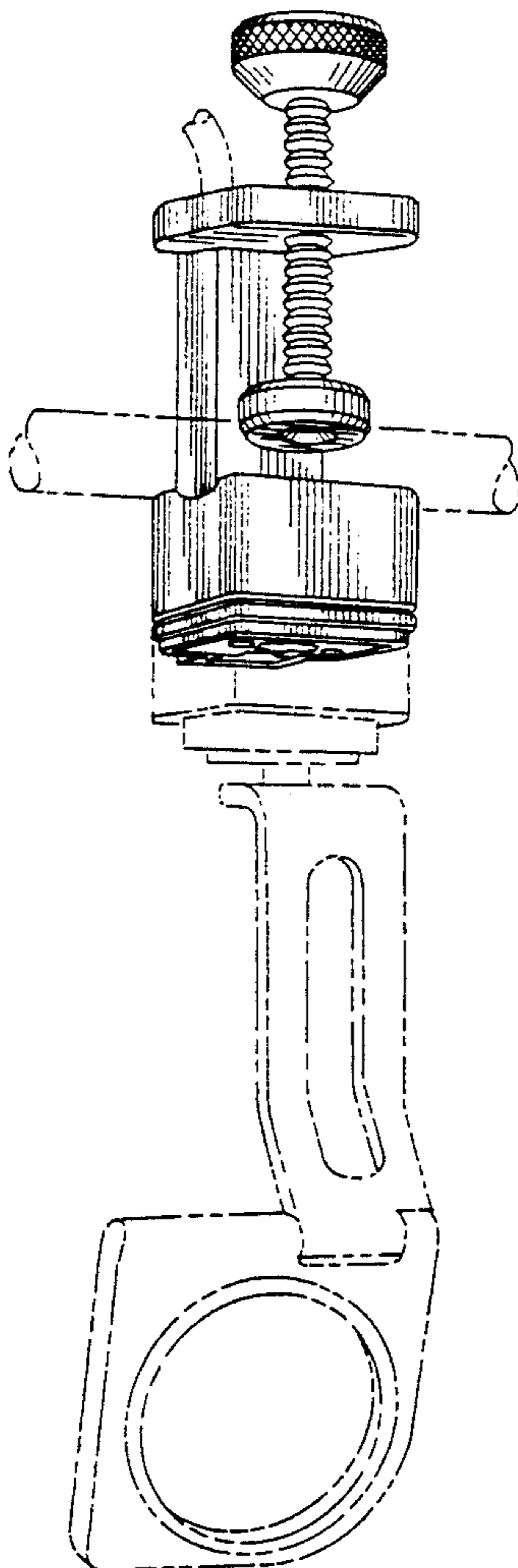


FIG. 1

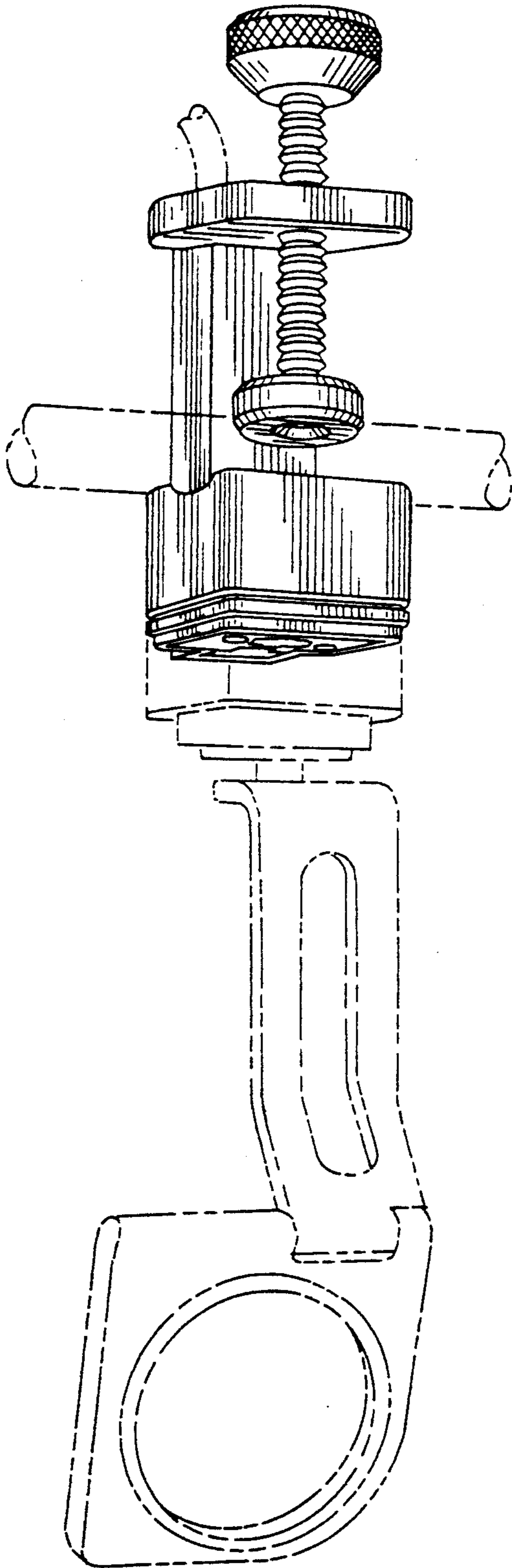


FIG. 2

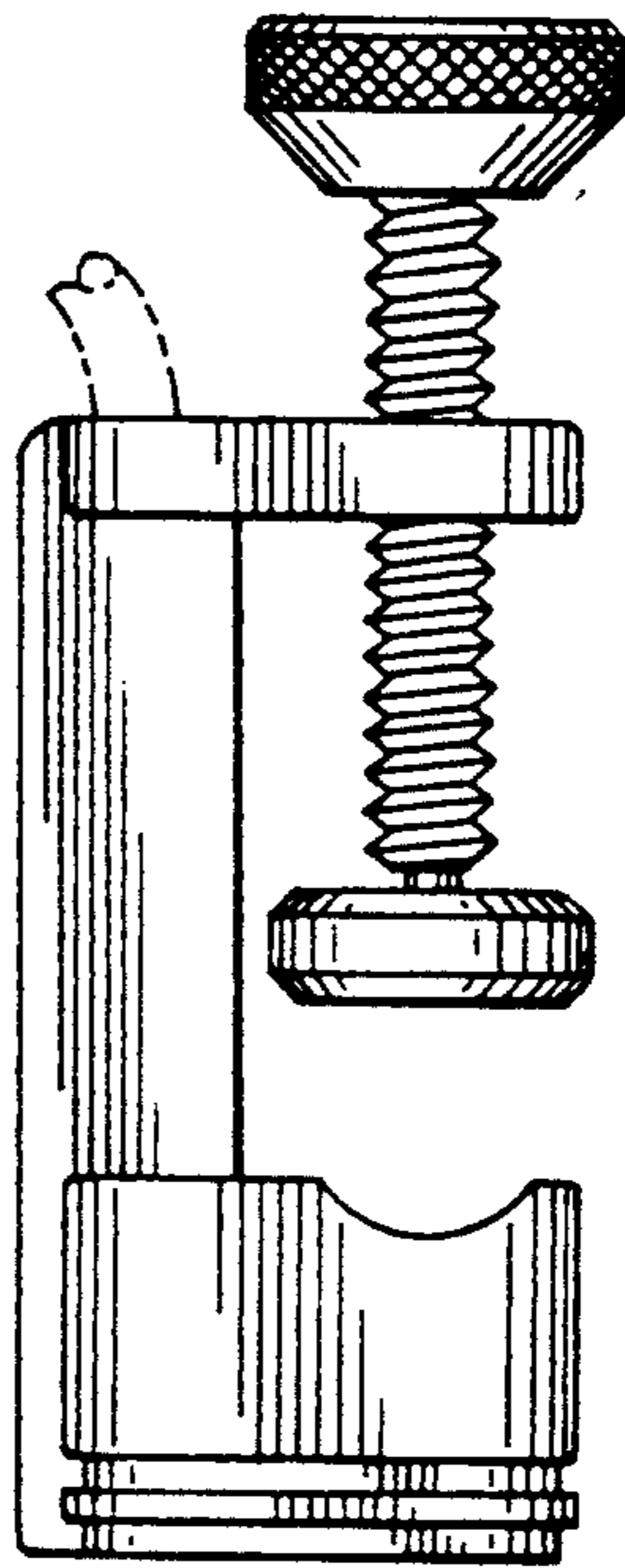


FIG. 3

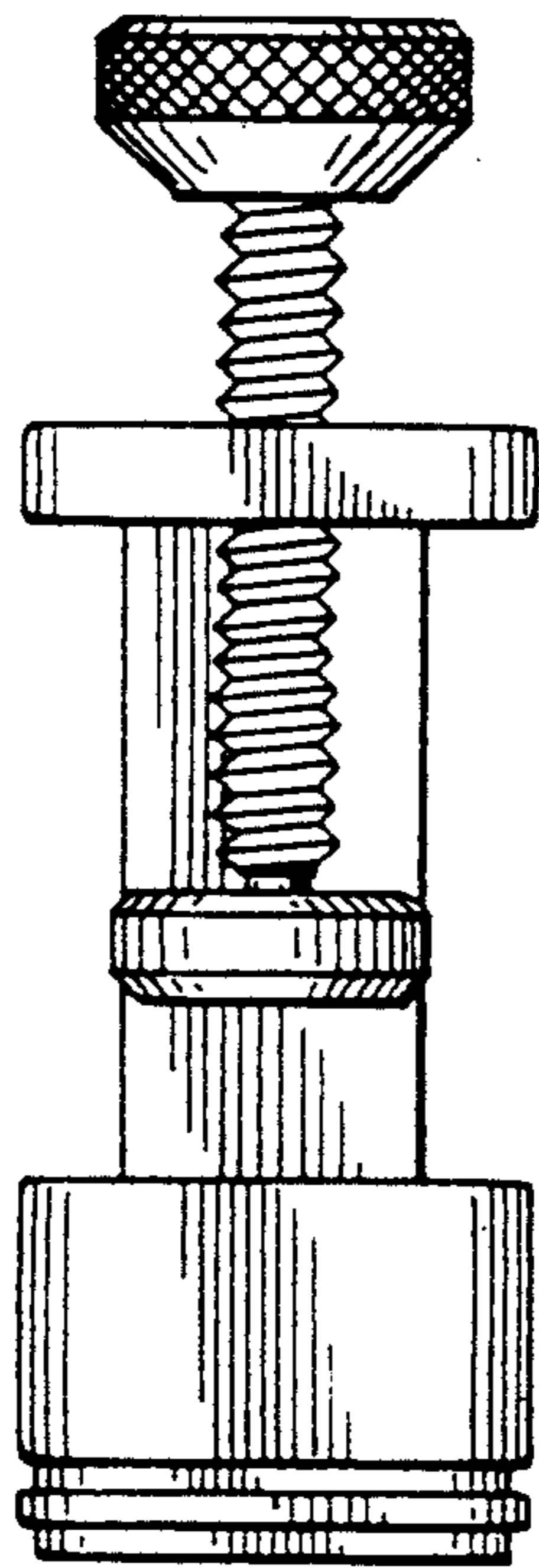


FIG. 4

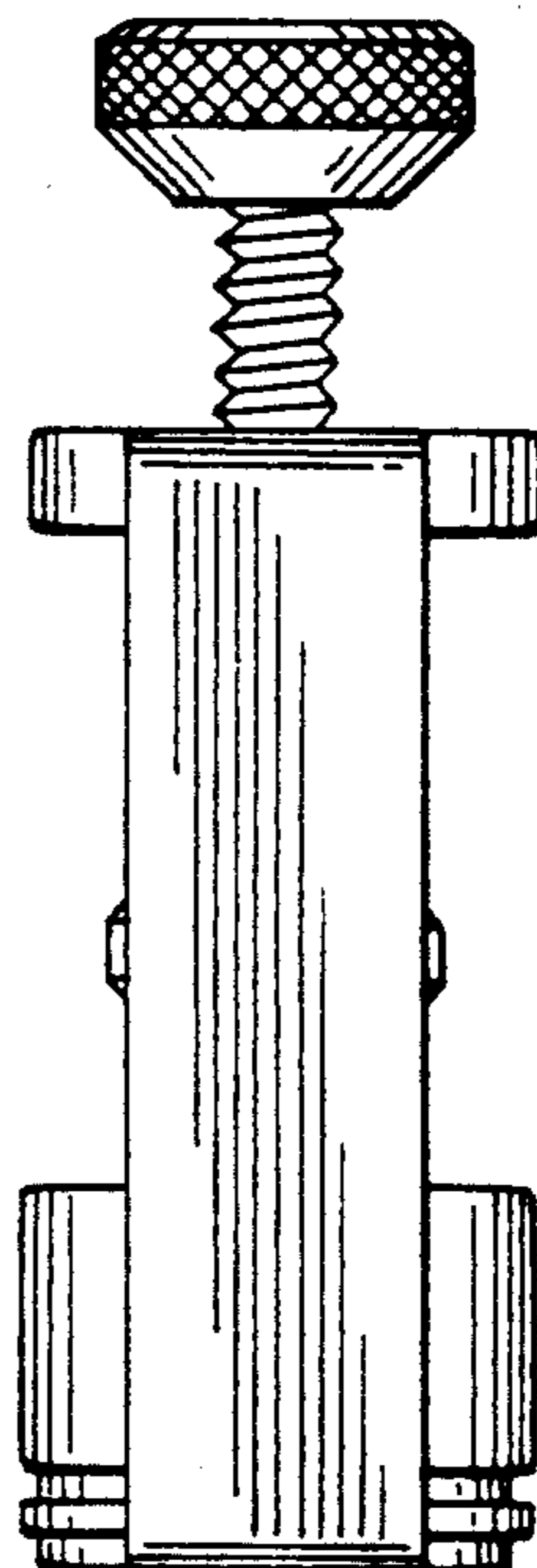


FIG. 5

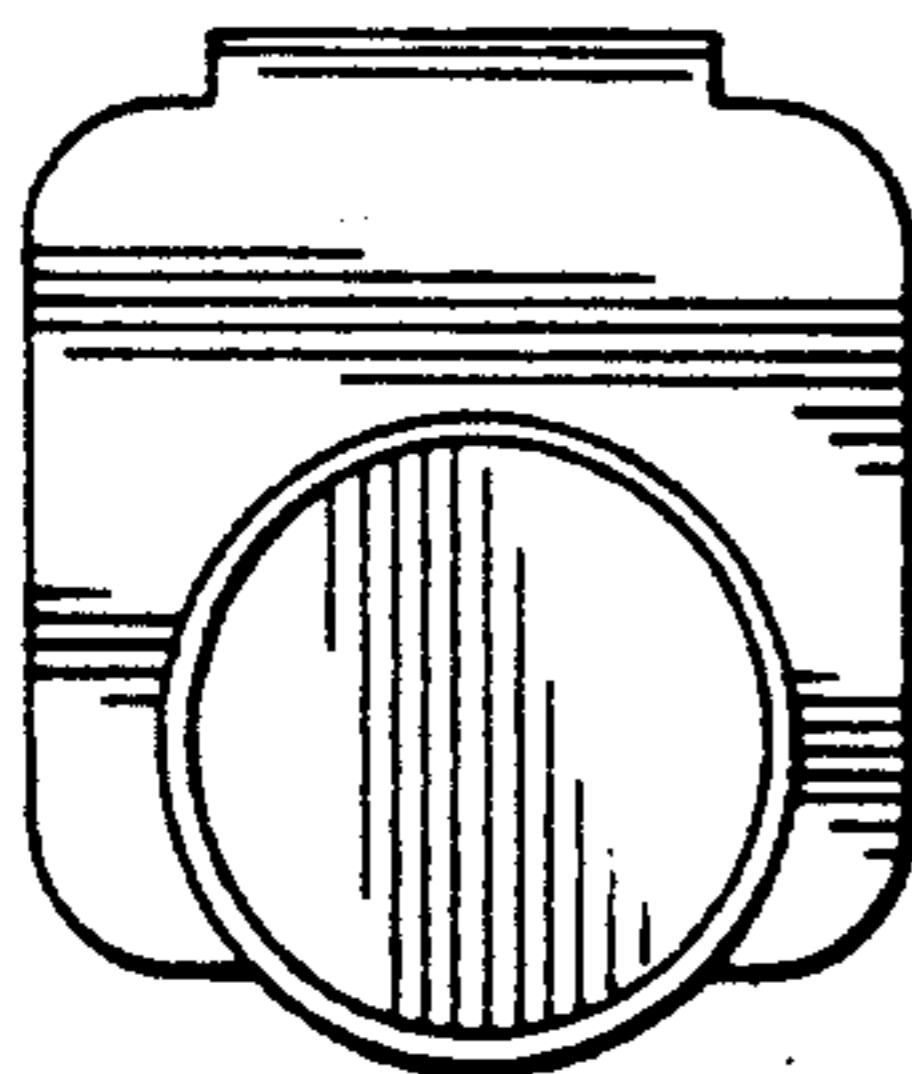


FIG. 6

