



US00D332561S

United States Patent [19]

Fushiya et al.

[11] Patent Number: **Des. 332,561**

[45] Date of Patent: **** Jan. 19, 1993**

[54] **NAIL GUN**

5,080,273 1/1992 Meyer 227/8

[75] Inventors: **Fusao Fushiya; Akira Mizumoto; Kenji Mukoyama**, all of Anjo, Japan

FOREIGN PATENT DOCUMENTS

[73] Assignee: **Makita Electric Works, Ltd.**, Anjo, Japan

4209311 9/1976 Japan .
440095 10/1976 Japan .
4209312 3/1977 Japan .

[**] Term: **14 Years**

Primary Examiner—Alan P. Douglas
Assistant Examiner—J. H. Musgrove
Attorney, Agent, or Firm—Dennison, Meserole, Pollack & Scheiner

[21] Appl. No.: **550,890**

[22] Filed: **Jul. 11, 1990**

[57] CLAIM

[30] Foreign Application Priority Data

Oct. 12, 1989 [JP] Japan 1-37331

The ornamental design for a nail gun, as shown and described.

[52] U.S. Cl. **D8/69**

[58] Field of Search D8/49, 69; 227/8, 131

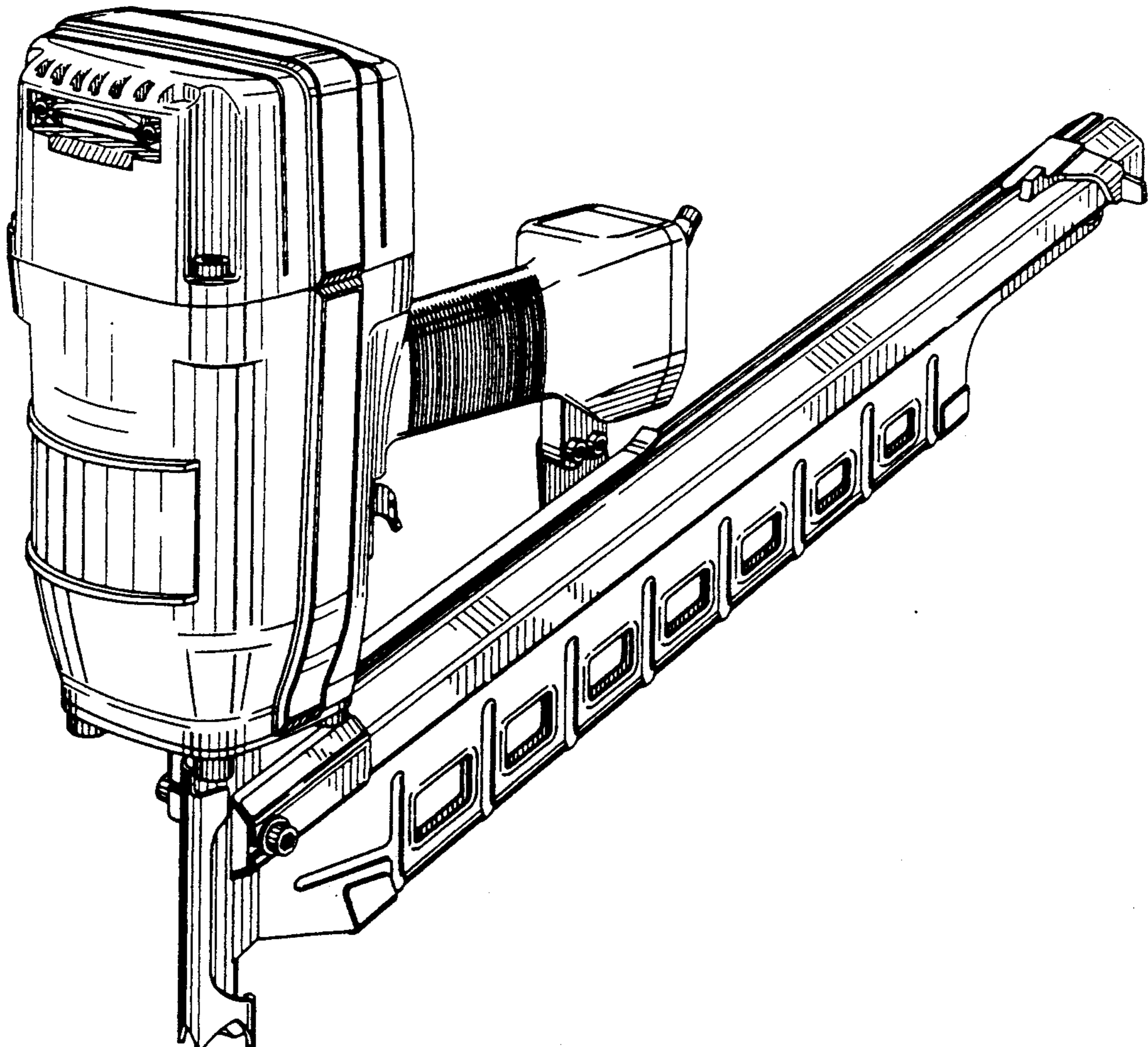
DESCRIPTION

[56] References Cited

U.S. PATENT DOCUMENTS

D. 254,706 4/1980 Barrett et al. D8/49
D. 282,345 1/1986 Fehrs D8/49
D. 288,060 2/1987 Somers D8/49
D. 313,156 12/1990 Staubitz D8/69
D. 316,022 4/1991 Moraht D8/69

FIG. 1 is a perspective view of a nail gun showing our new design;
FIG. 2 is a front elevational view thereof;
FIG. 3 is a rear elevational view thereof;
FIG. 4 is a left side elevational view thereof;
FIG. 5 is a right side elevational view thereof;
FIG. 6 is a top plan view thereof; and,
FIG. 7 is a bottom plan view thereof.



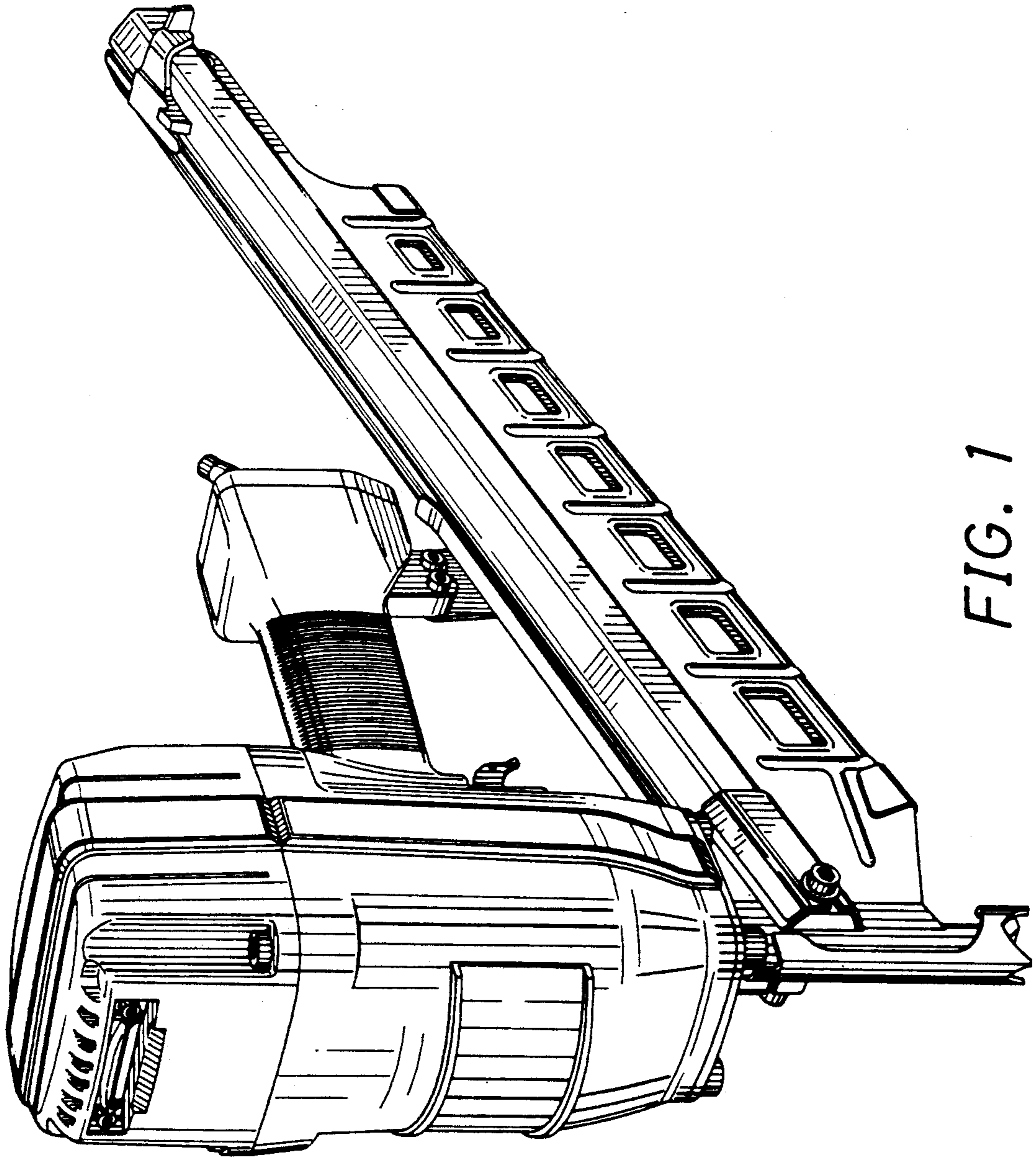


FIG. 1

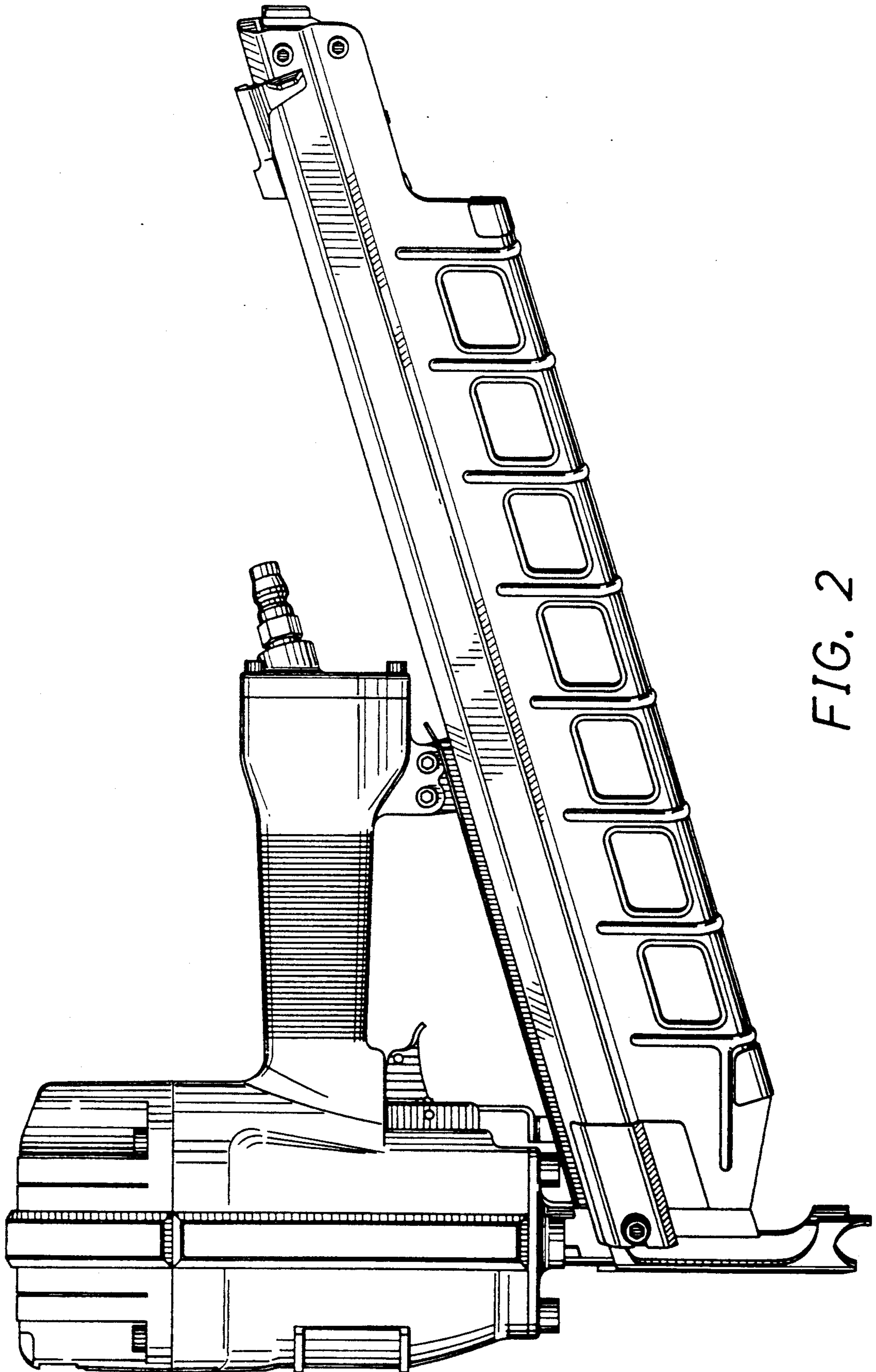


FIG. 2

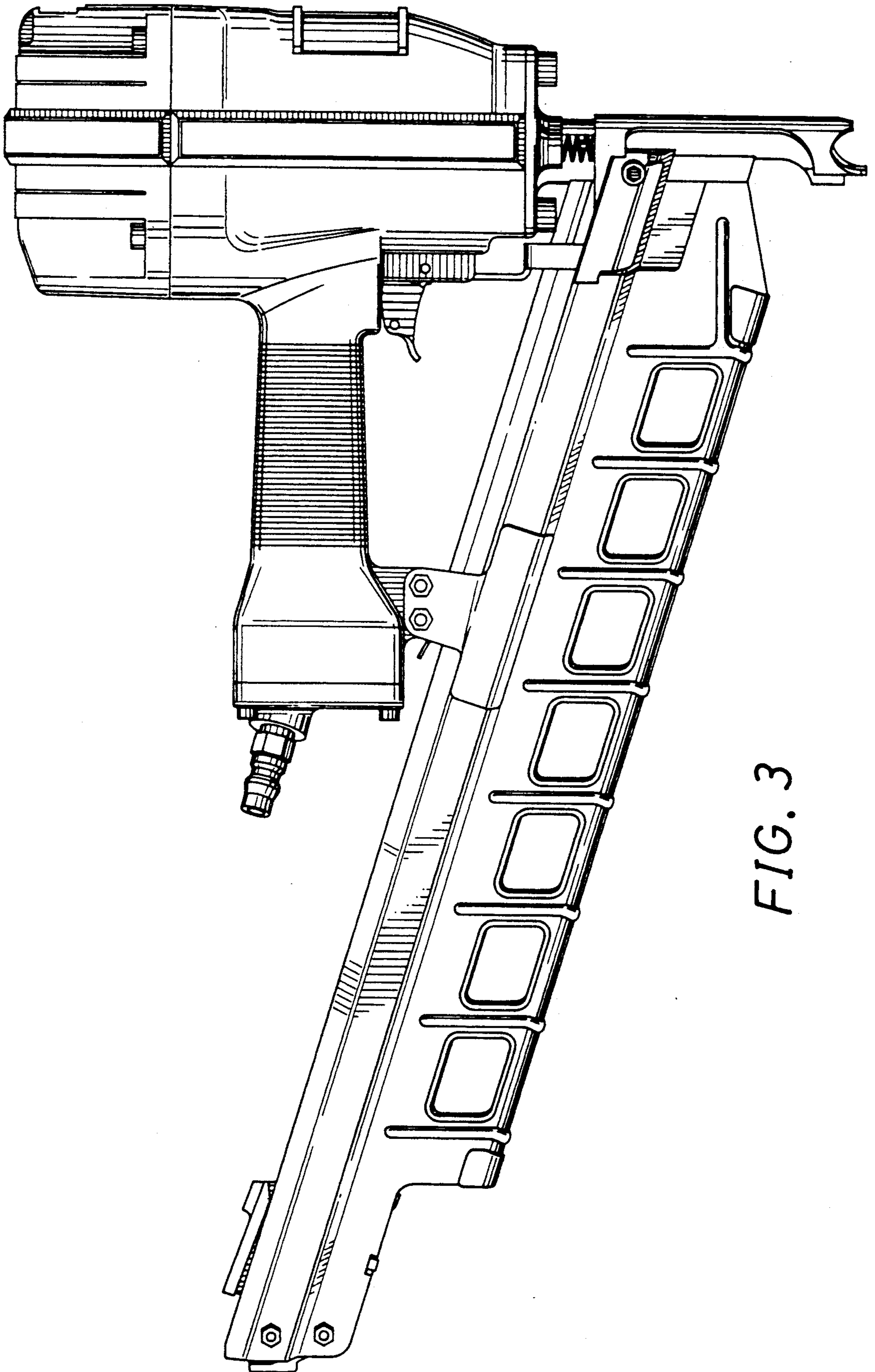


FIG. 3

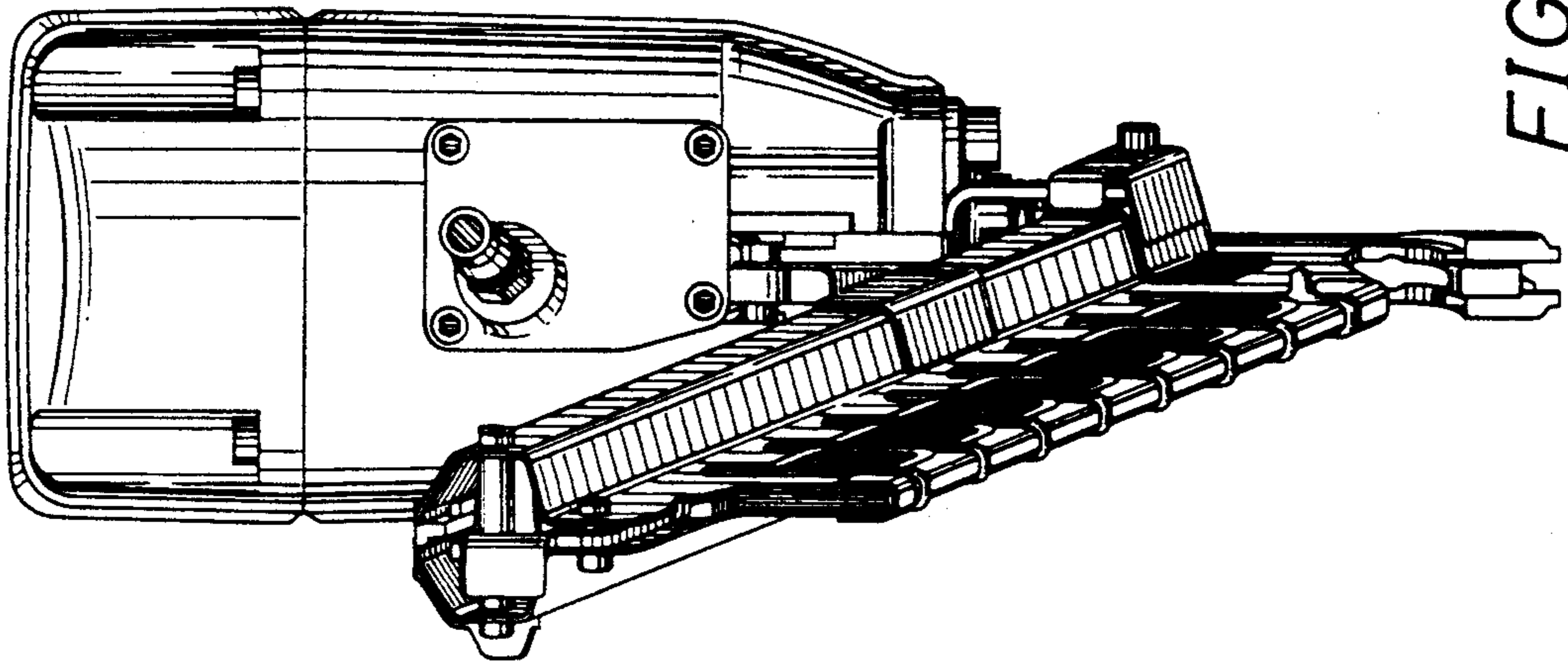


FIG. 5

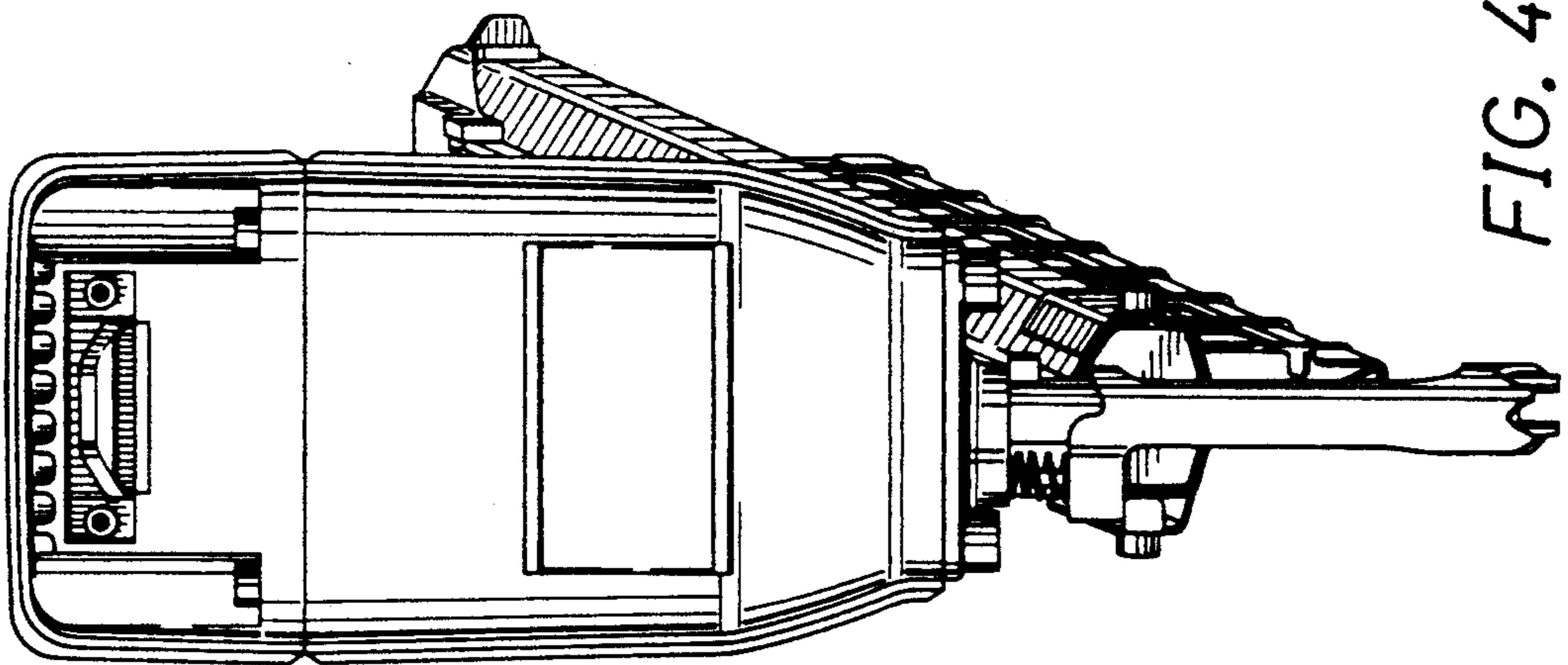


FIG. 4

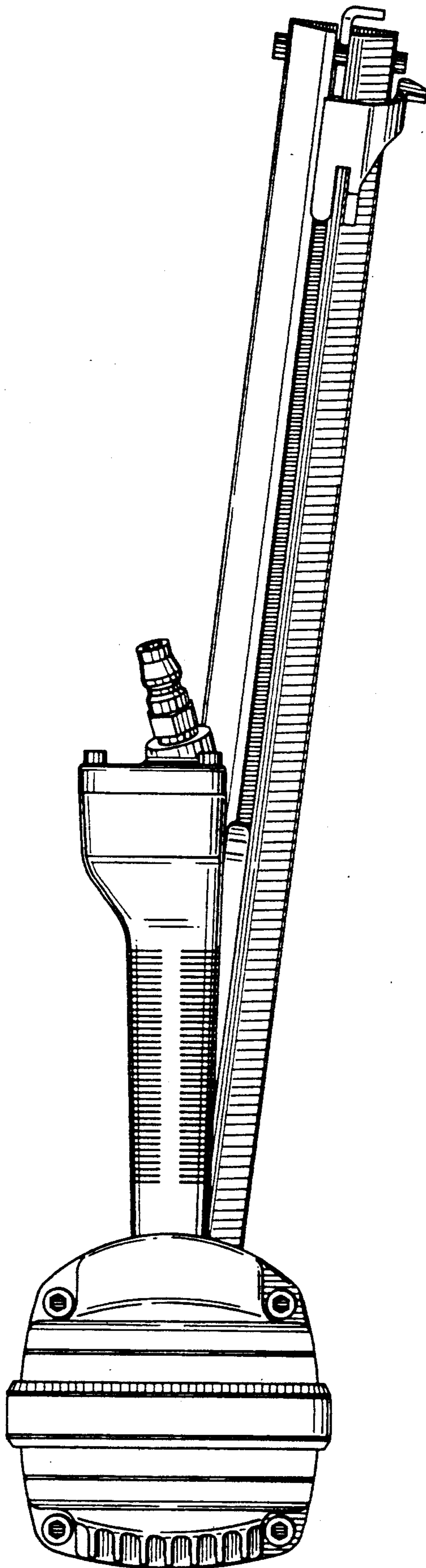


FIG. 6

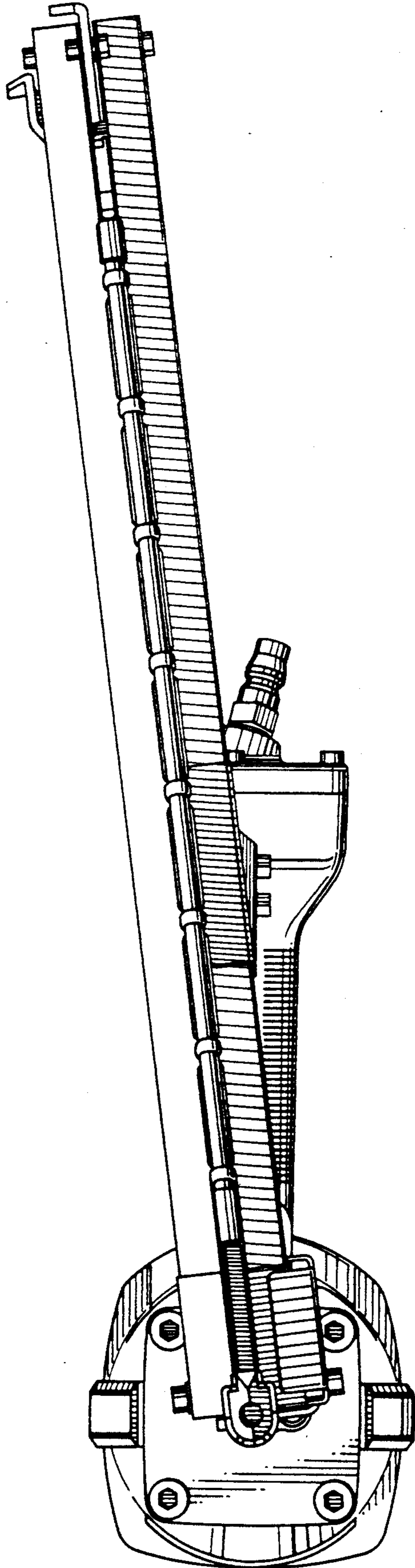


FIG. 7