



US00D332560S

# United States Patent [19]

Mikiya

[11] Patent Number: Des. 332,560

[45] Date of Patent: \*\* Jan. 19, 1993

[54] PORTABLE DISK GRINDER

[75] Inventor: Toshio Mikiya, Tokyo, Japan

[73] Assignee: Nitto Kohki Co., Ltd., Tokyo, Japan

[\*\*] Term: 14 Years

[21] Appl. No.: 634,347

[22] Filed: Dec. 26, 1990

[52] U.S. Cl. .... D8/62

[58] Field of Search ..... D8/61, 62; 51/170, 170 T, 51/170 R, 170 TL, 170 EB, 170 MT

4,754,575	7/1988	Schneider	.....	51/170 MT X
5,077,942	1/1992	Jacobsson	.....	51/170 R
5,125,189	6/1992	Holmin et al.	.....	51/170 R

Primary Examiner—Alan P. Douglas  
Assistant Examiner—J. H. Musgrove  
Attorney, Agent, or Firm—Wenderoth, Lind & Ponack

### [57] CLAIM

The ornamental design for portable disk grinder, as shown.

### DESCRIPTION

FIG. 1 is a top, front and right-side perspective view of a portable disk grinder showing my new design; FIG. 2 is a front elevational view thereof; FIG. 3 is a top plan view thereof; FIG. 4 is a bottom plan view thereof; FIG. 5 is a left side elevational view thereof; FIG. 6 is a right side elevational view thereof; and, FIG. 7 is a rear elevational view thereof.

### [56] References Cited

#### U.S. PATENT DOCUMENTS

D. 255,417	6/1980	Sakamoto et al.	.....	D8/62
D. 277,638	2/1985	Somers	.....	D8/62
D. 297,907	10/1988	Hoshimo et al.	.....	D8/62
D. 305,399	1/1990	Fushiya	.....	D8/62

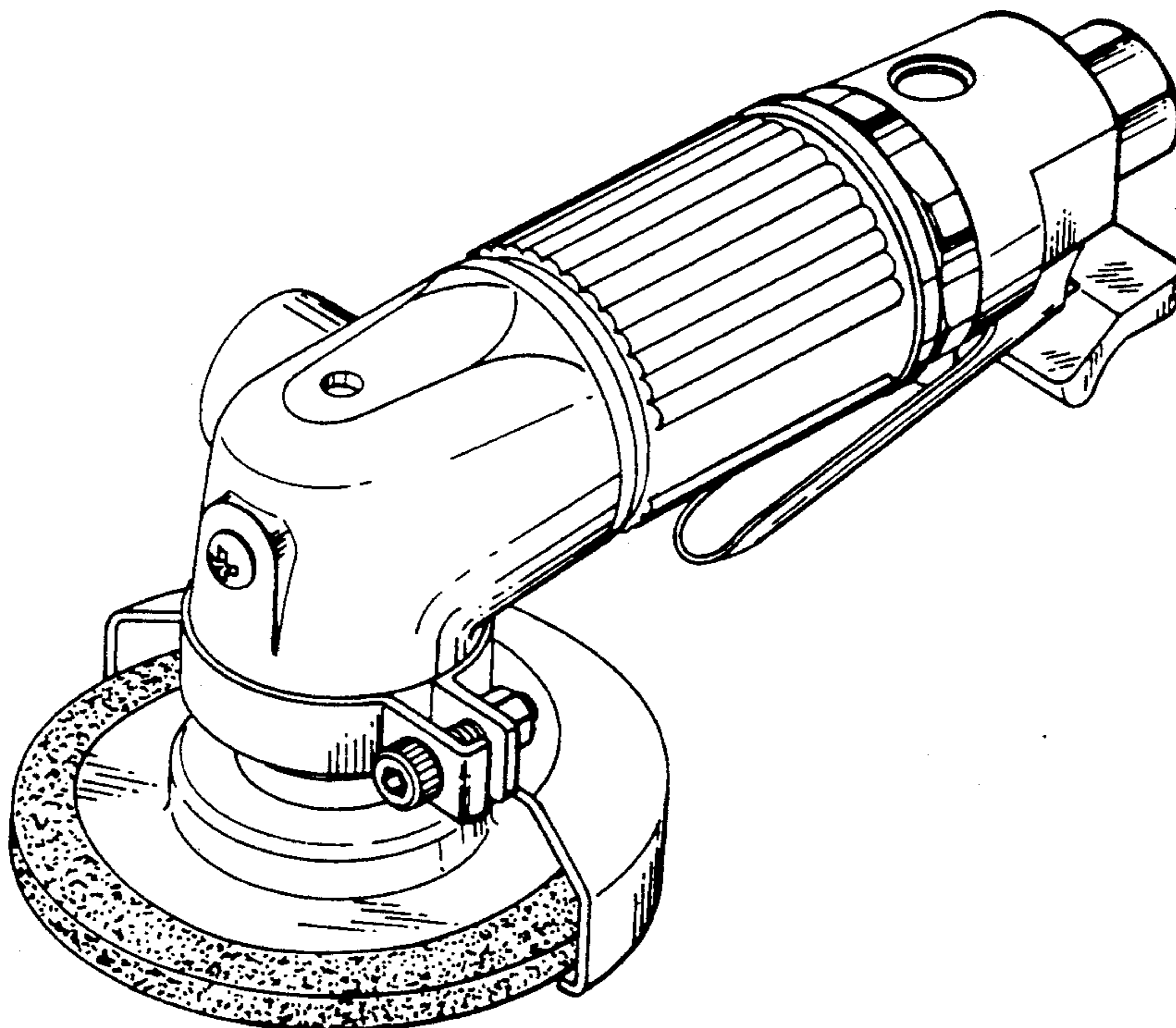


FIG. 1

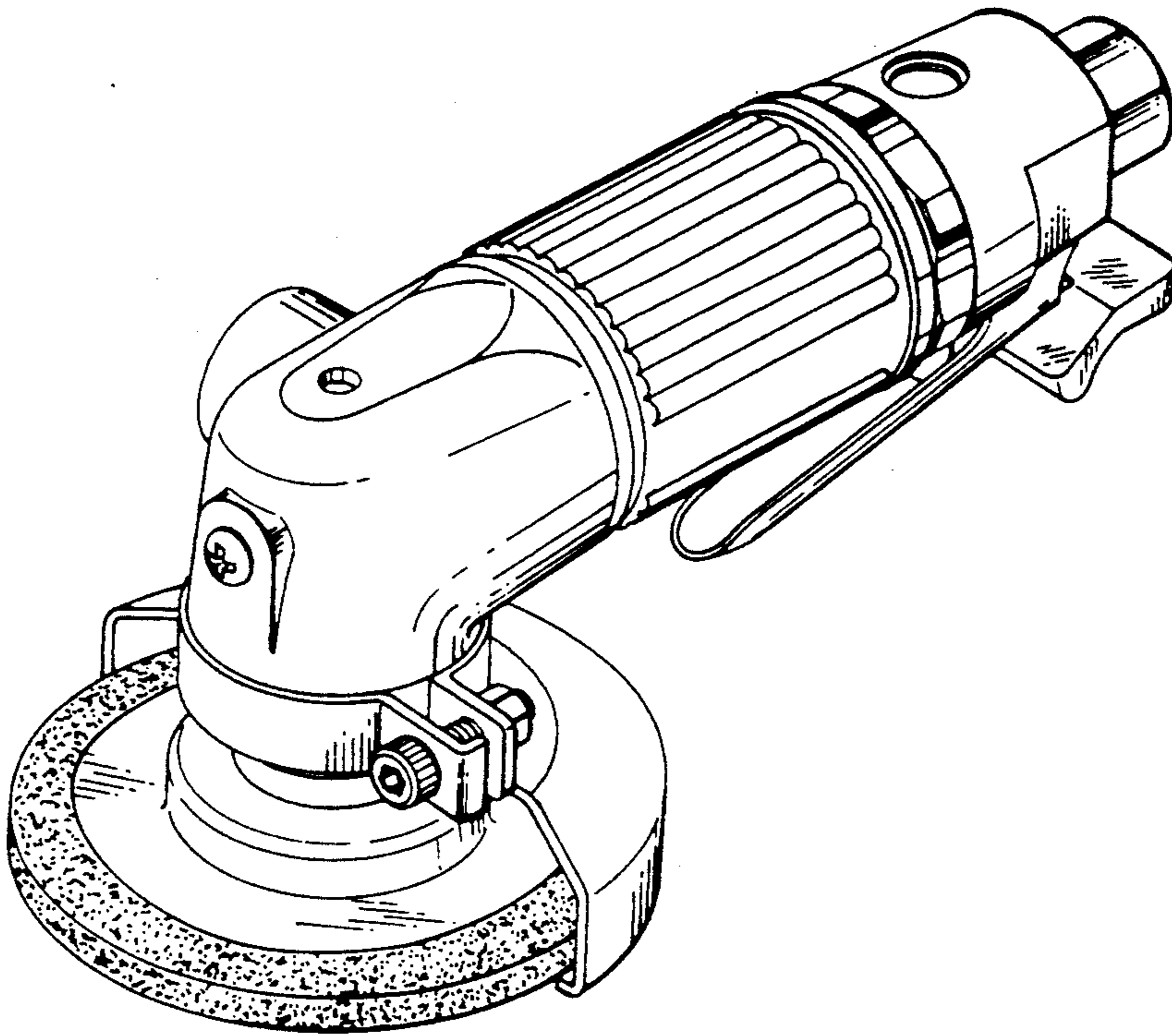


FIG. 2

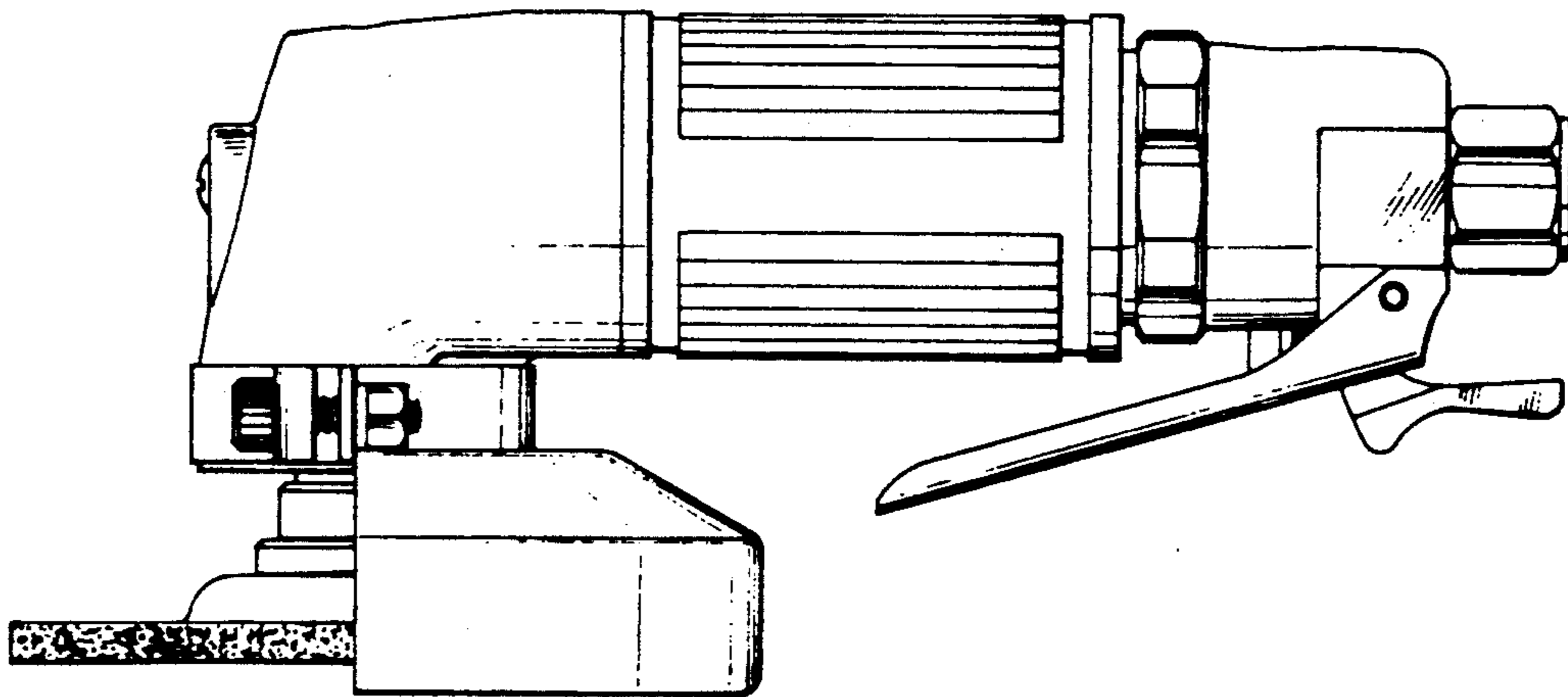


FIG. 3

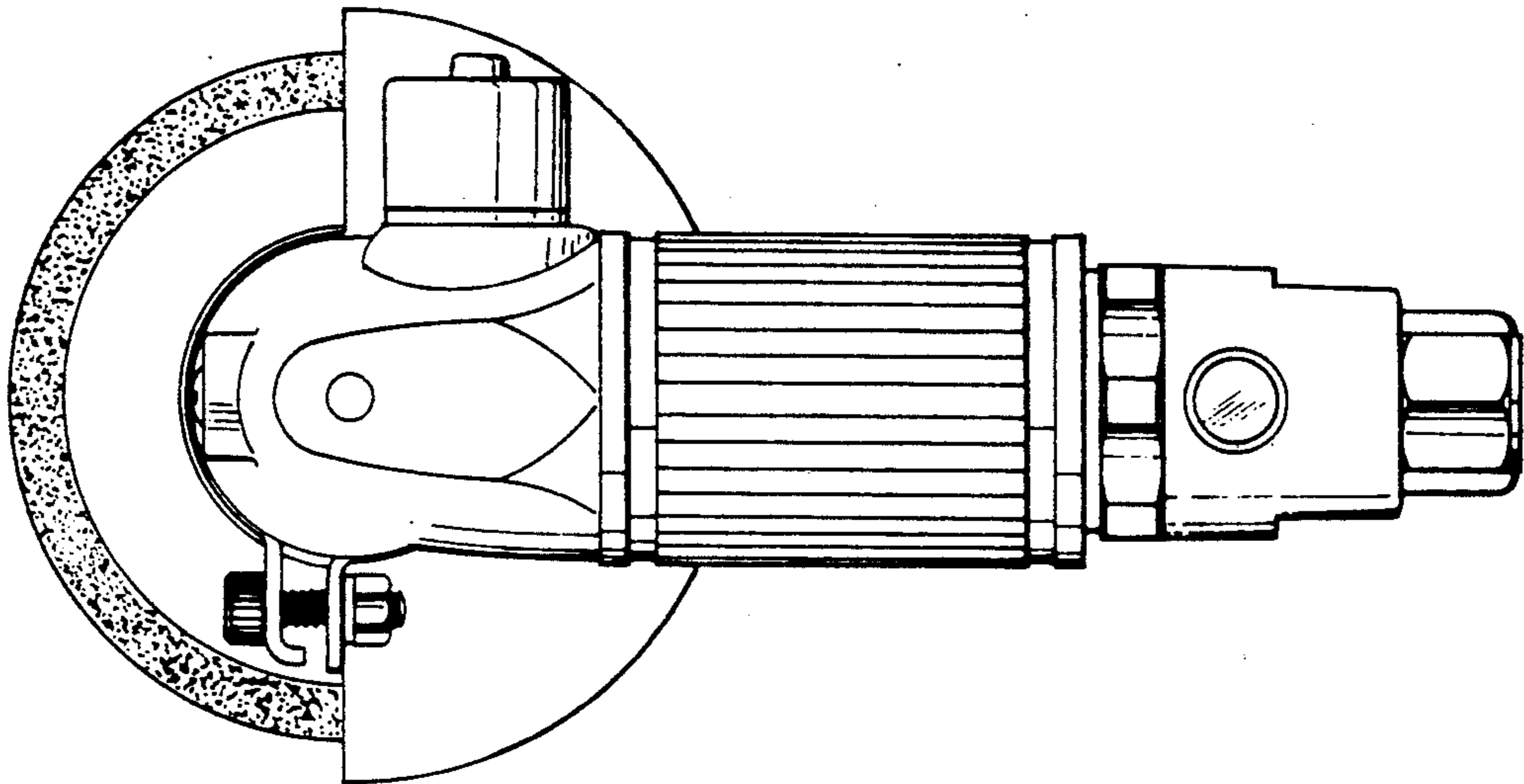


FIG. 4

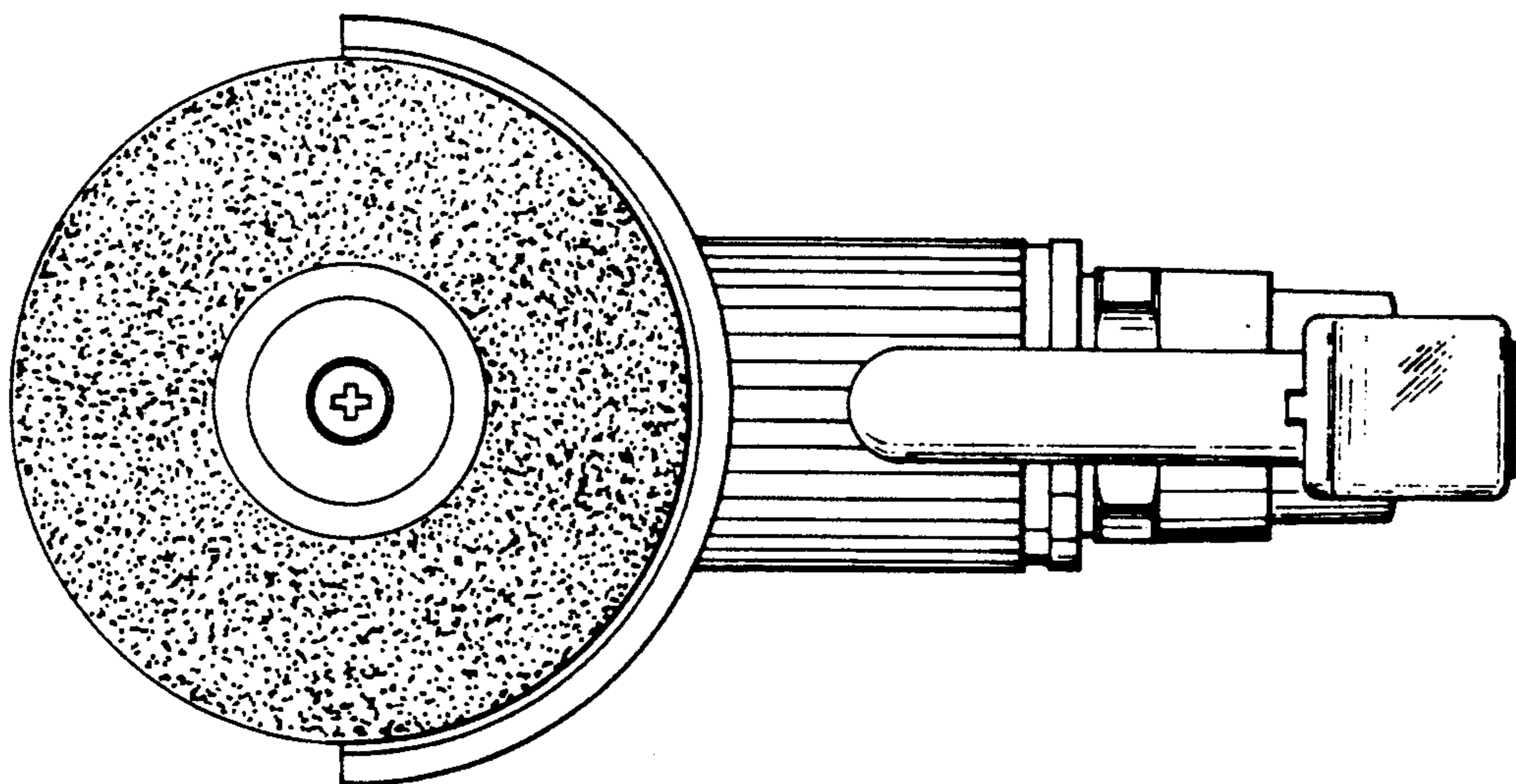




FIG. 5

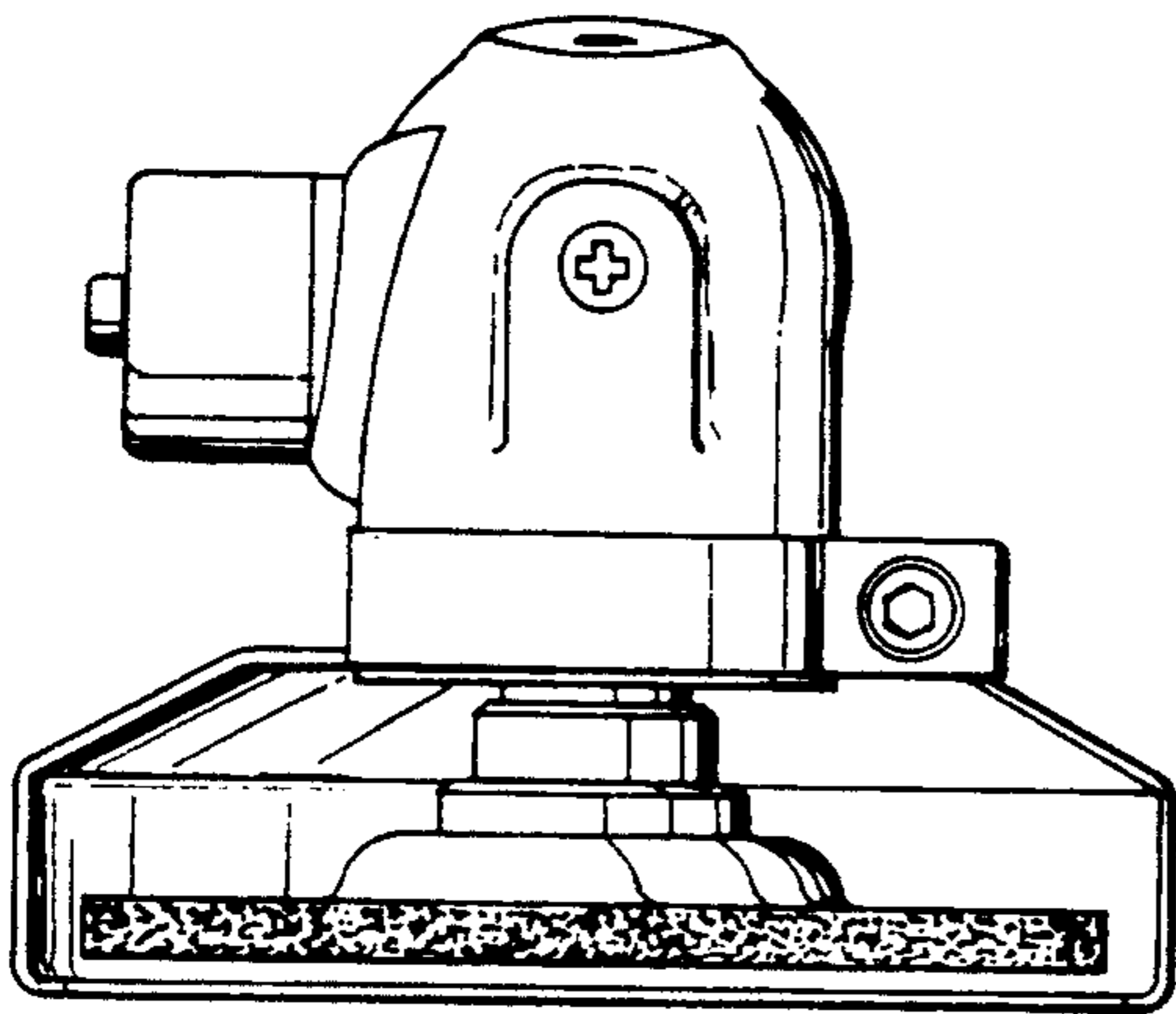


FIG. 6

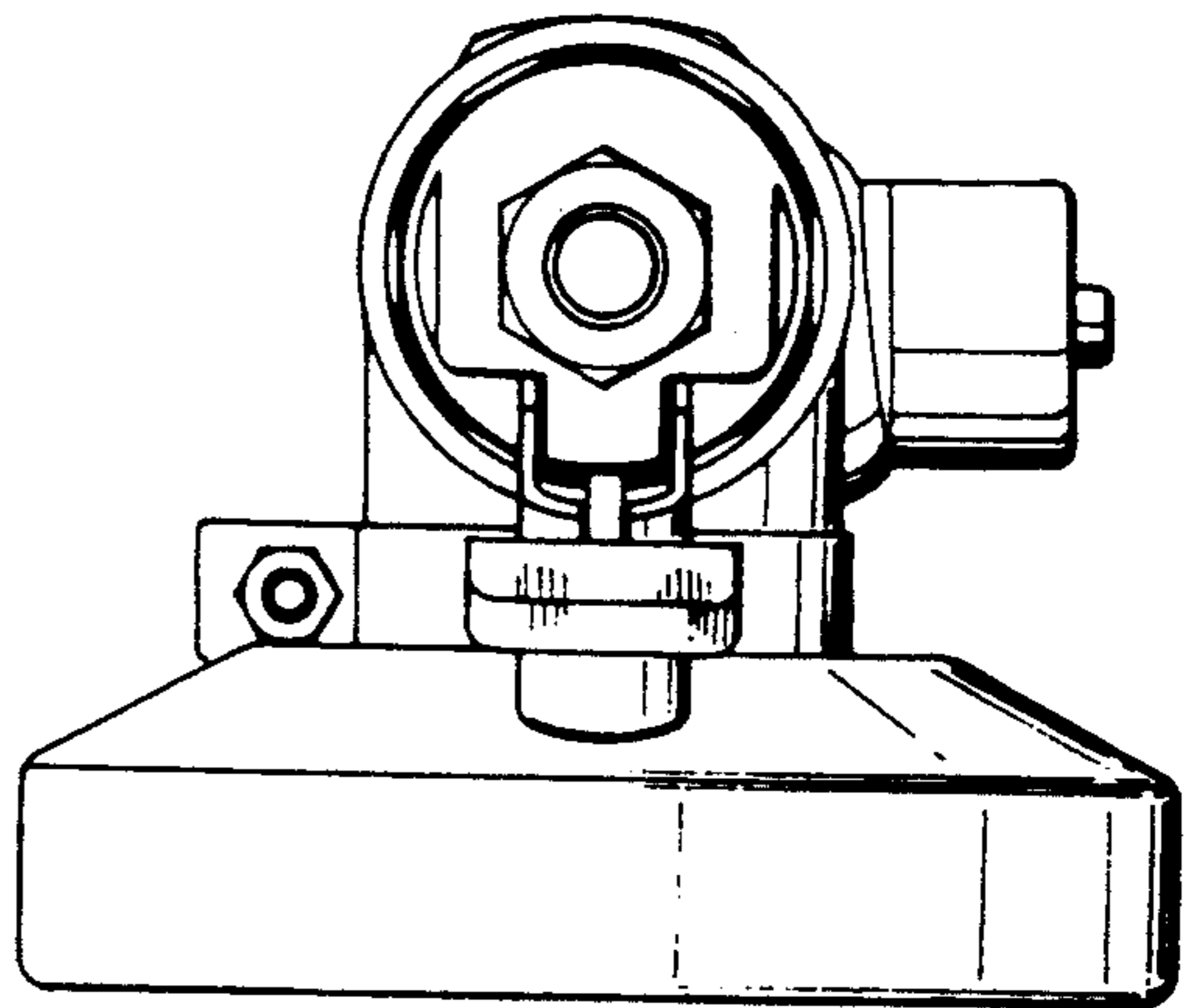


FIG. 7

