



US00D332558S

United States Patent [19]

[11] Patent Number: **Des. 332,558**

Hoshino et al.

[45] Date of Patent: **** Jan. 19, 1993**

- [54] SANDER
- [75] Inventors: **Kiyoshi Hoshino, Clemson, S.C.;**
James B. Watson, Conyers, Ga.
- [73] Assignee: **Ryobi Motor Products Corp., Easley,**
S.C.
- [**] Term: **14 Years**
- [21] Appl. No.: **565,323**
- [22] Filed: **Aug. 9, 1990**
- [52] U.S. Cl. **D8/62**
- [58] Field of Search **D8/62; 81/126, 54;**
51/170, 170 R, 170 TL, 170 EB, 174, 180

- 2,775,076 12/1956 Roods 51/170
- 3,083,508 4/1963 Fegley et al. 51/170
- 3,226,885 1/1966 Cutrone 51/170
- 4,182,000 1/1980 Fairbairn 15/236 B
- 4,381,628 5/1983 Dicke 51/170 TL
- 4,476,602 10/1984 Hurn et al. 51/170 T

Primary Examiner—Carmen H. Vales-Lado
Assistant Examiner—J. H. Musgrove
Attorney, Agent, or Firm—Brooks & Kushman

[57] CLAIM

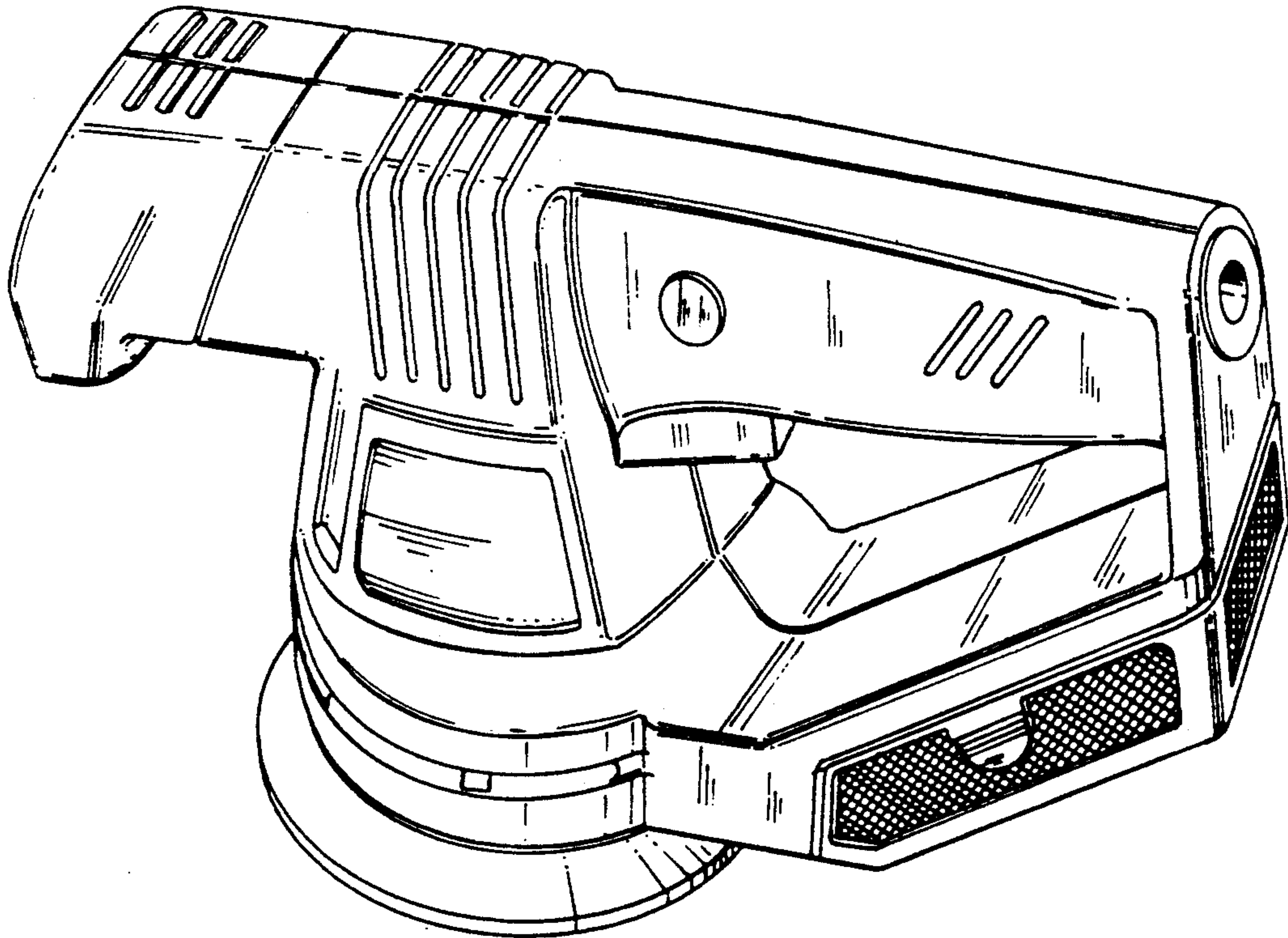
The ornamental design of a sander, as shown.

DESCRIPTION

FIG. 1 is a right side and front perspective view of a sander showing our new design;
 FIG. 2 is a top, left side and rear perspective view thereof;
 FIG. 3 is a front elevational view thereof;
 FIG. 4 is a rear elevational view thereof;
 FIG. 5 is a left side elevational view thereof;
 FIG. 6 is a right side elevational view thereof;
 FIG. 7 is a top plan view thereof; and,
 FIG. 8 is a bottom plan view thereof.

[56] **References Cited**
U.S. PATENT DOCUMENTS

D. 207,720	5/1967	Anton	D8/62
D. 262,185	12/1981	Huber et al.	D8/62
D. 269,845	7/1983	Hutchins	D8/62
D. 279,626	7/1985	McCloskey	D4/100
D. 323,963	2/1992	Bunyea	D8/62
2,395,537	2/1946	Crosby	51/170



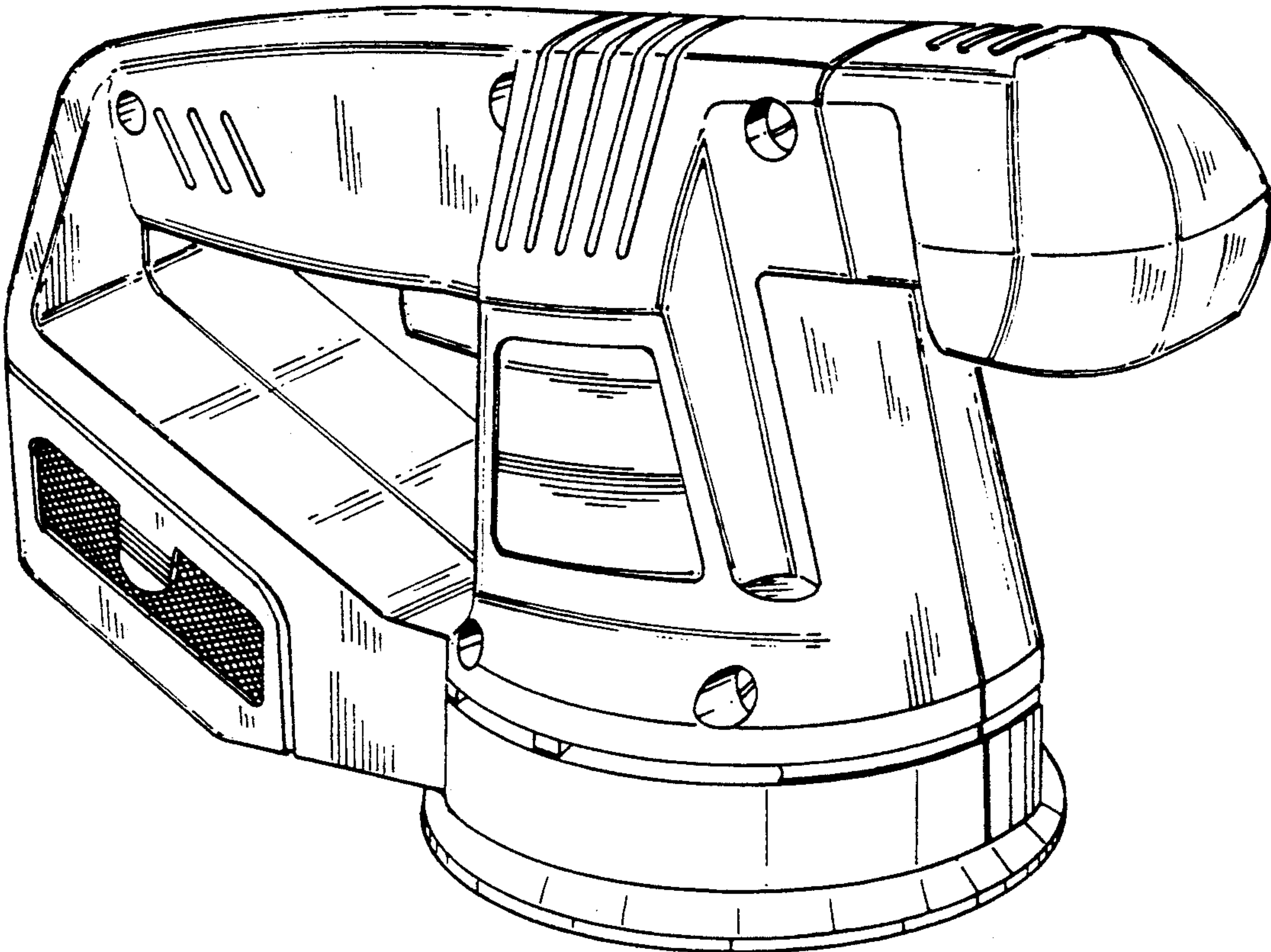


FIG. 1

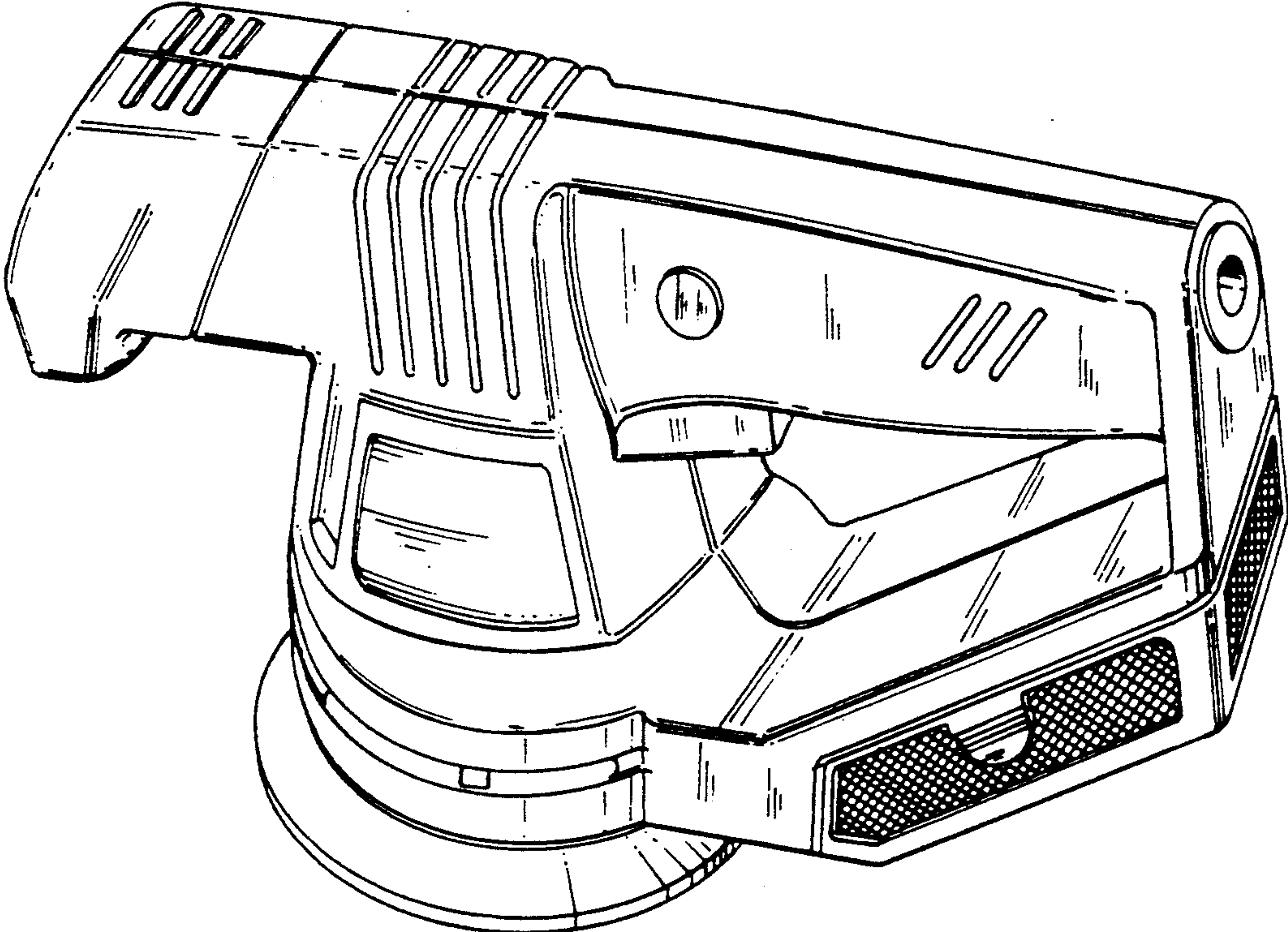


FIG. 2

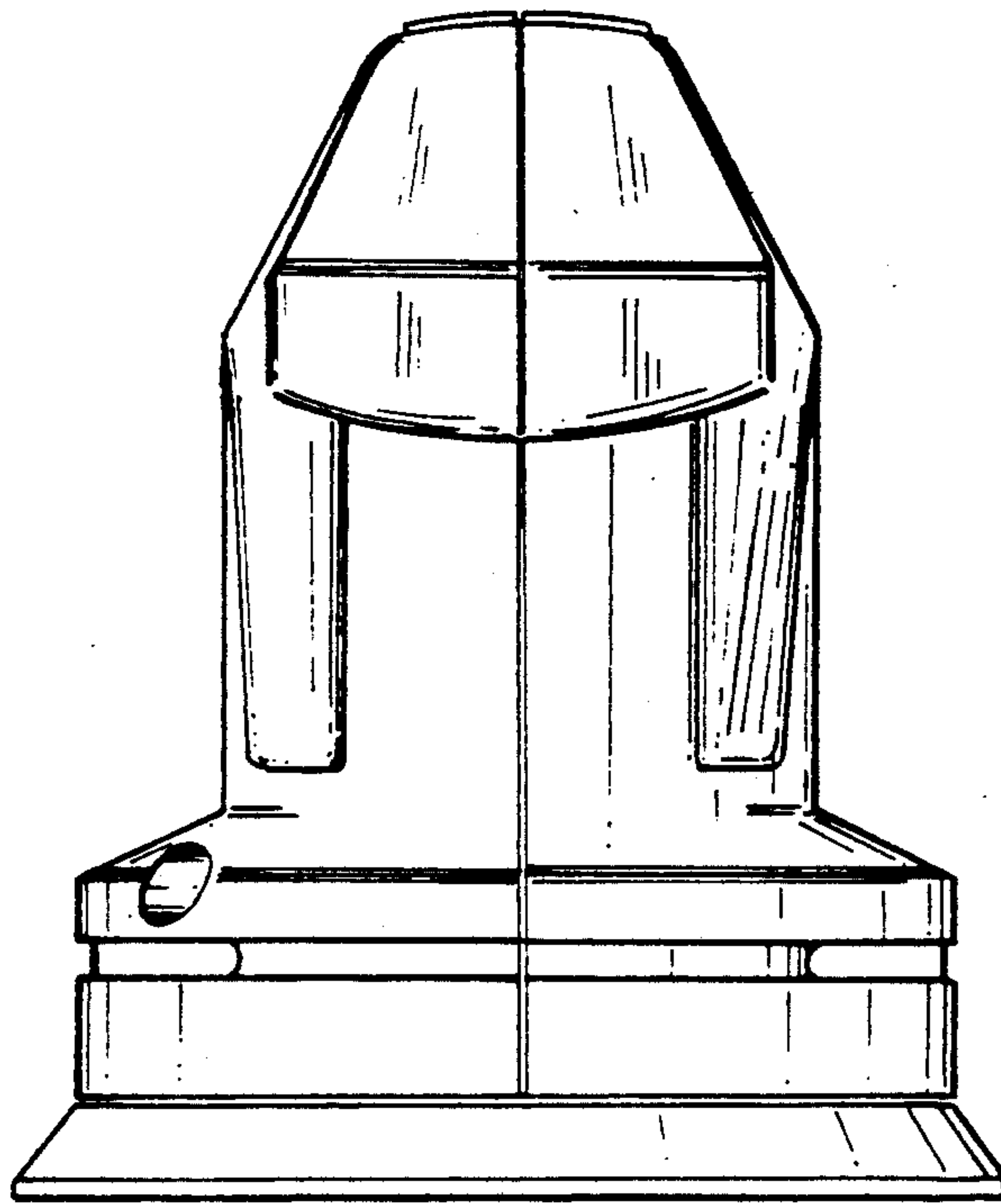


FIG. 3

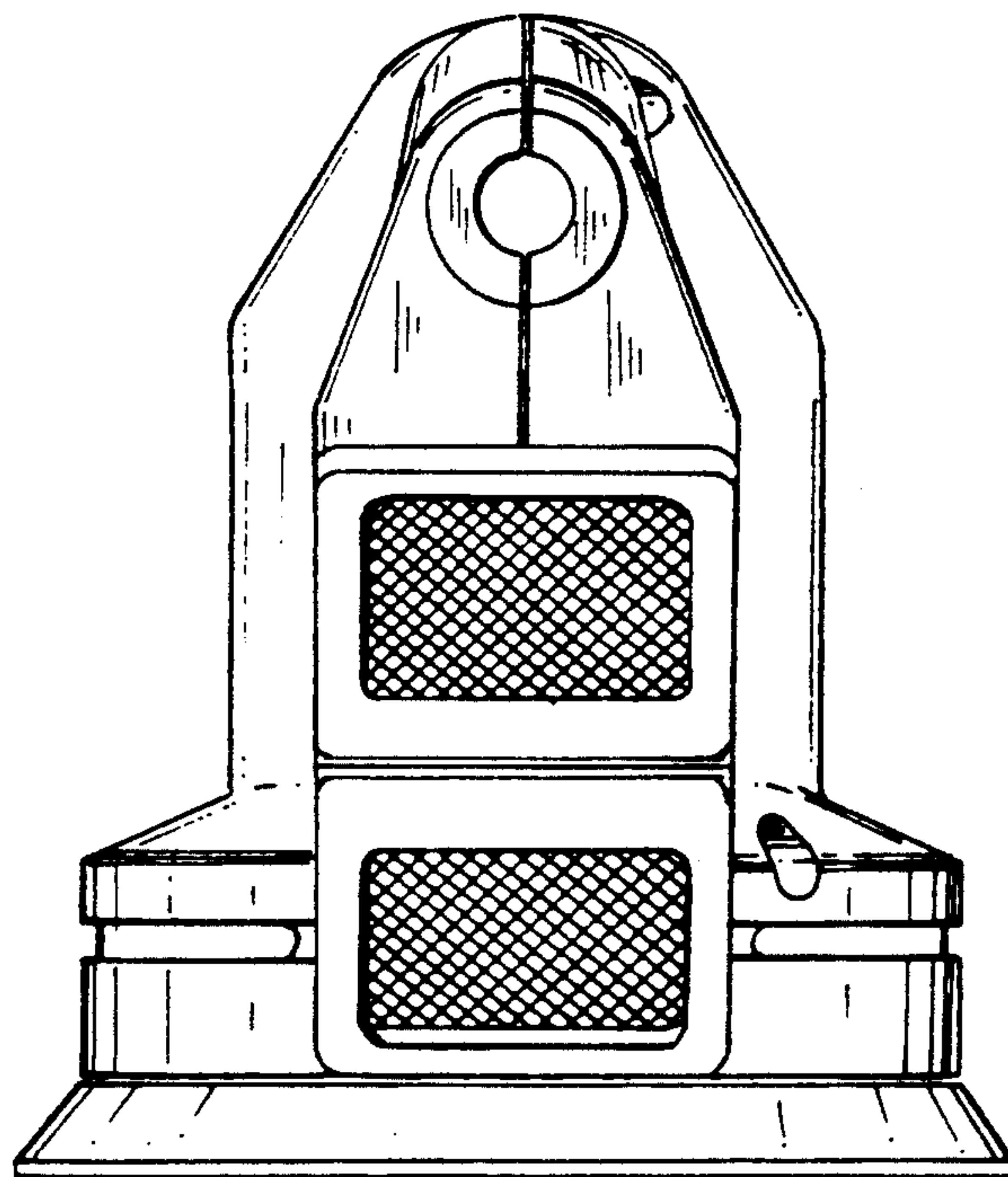


FIG. 4

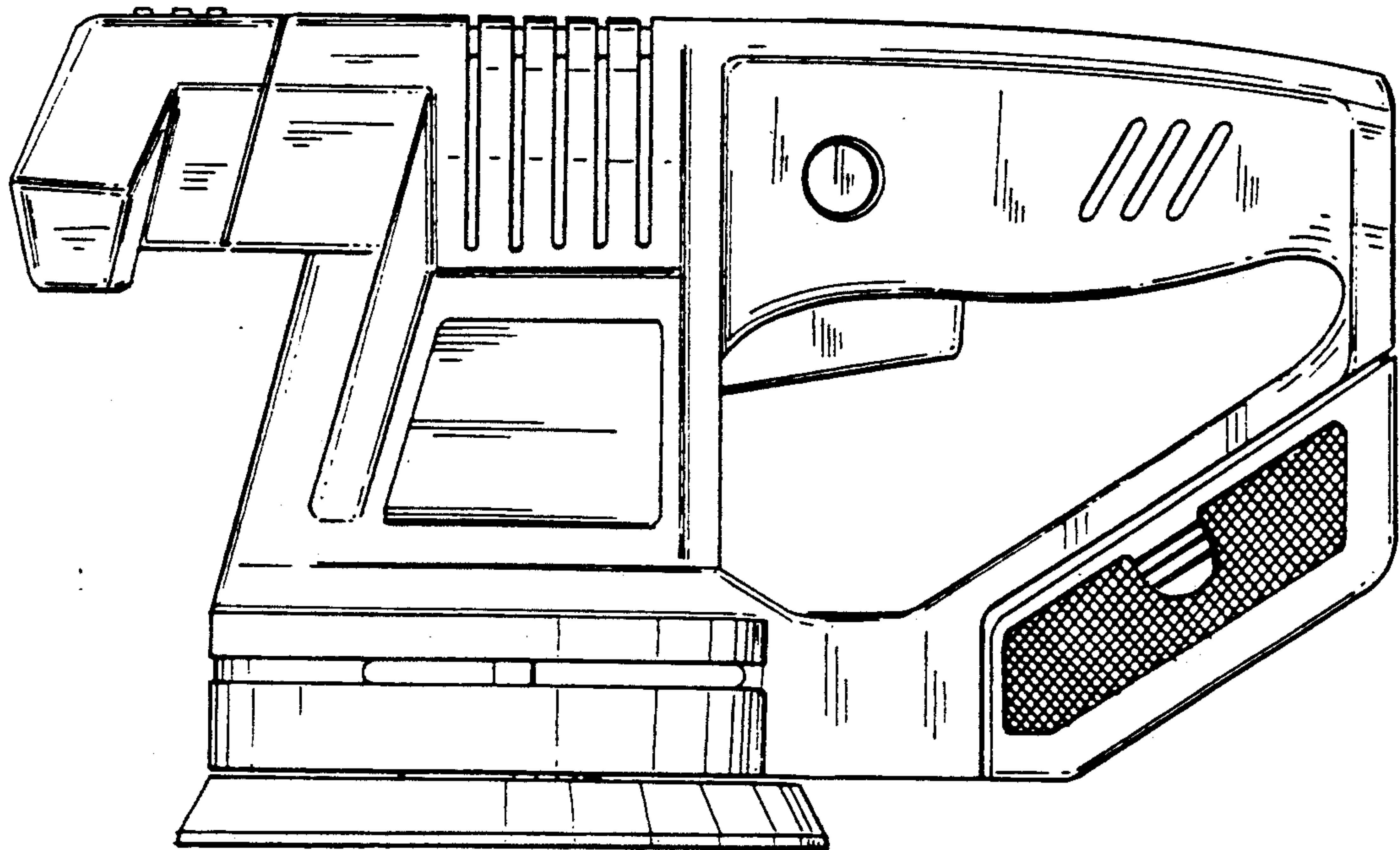


FIG. 5

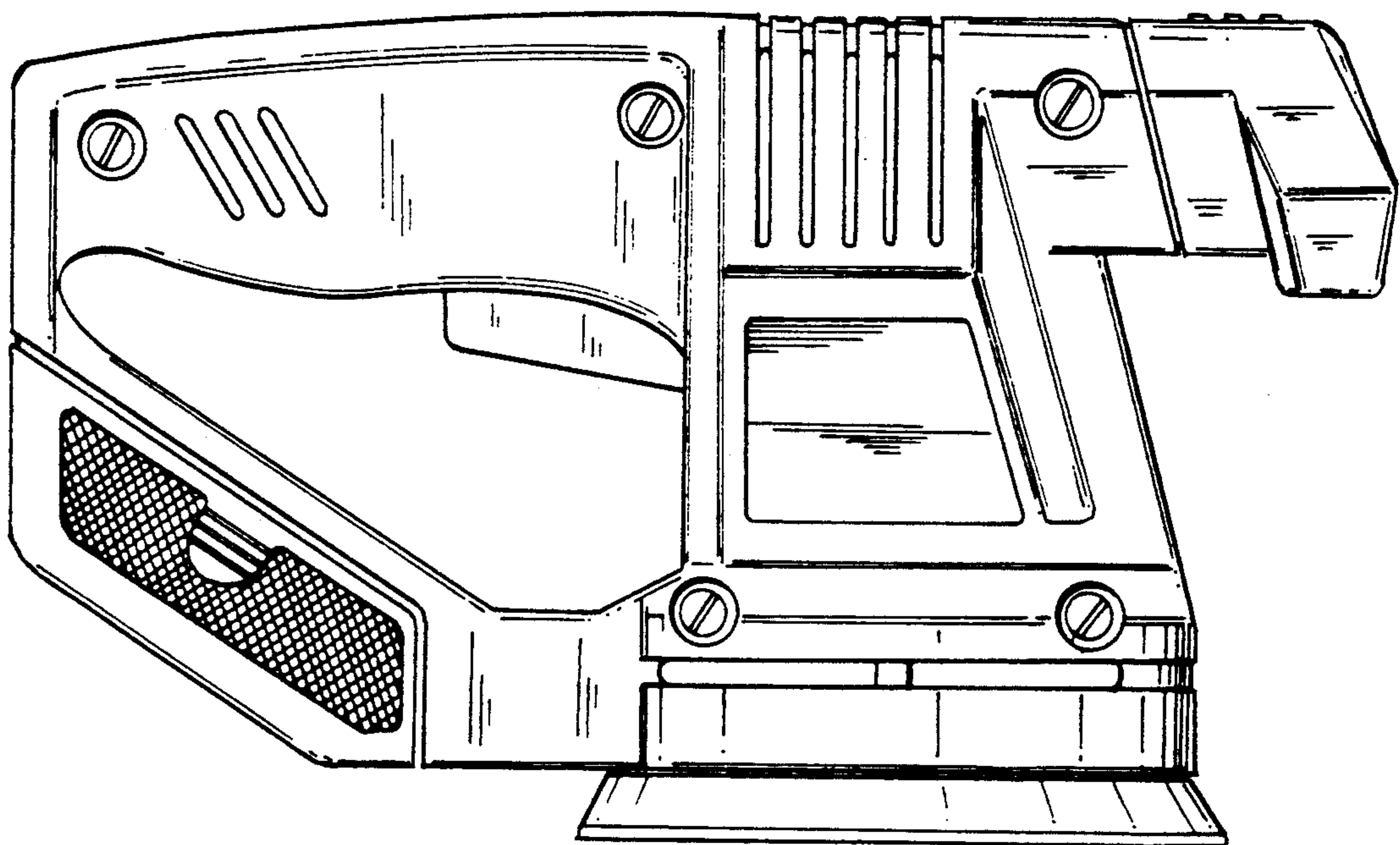


FIG. 6

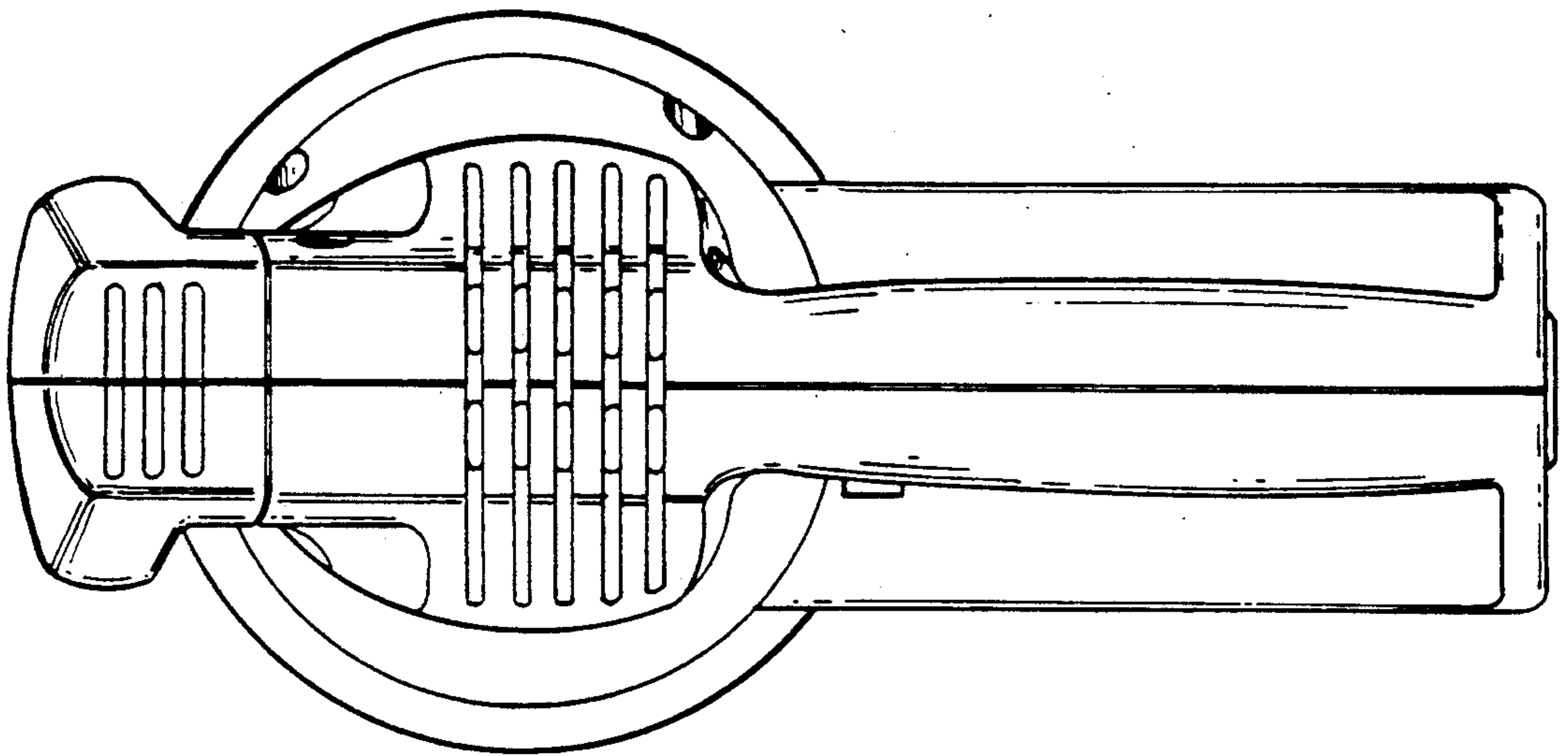


FIG. 7

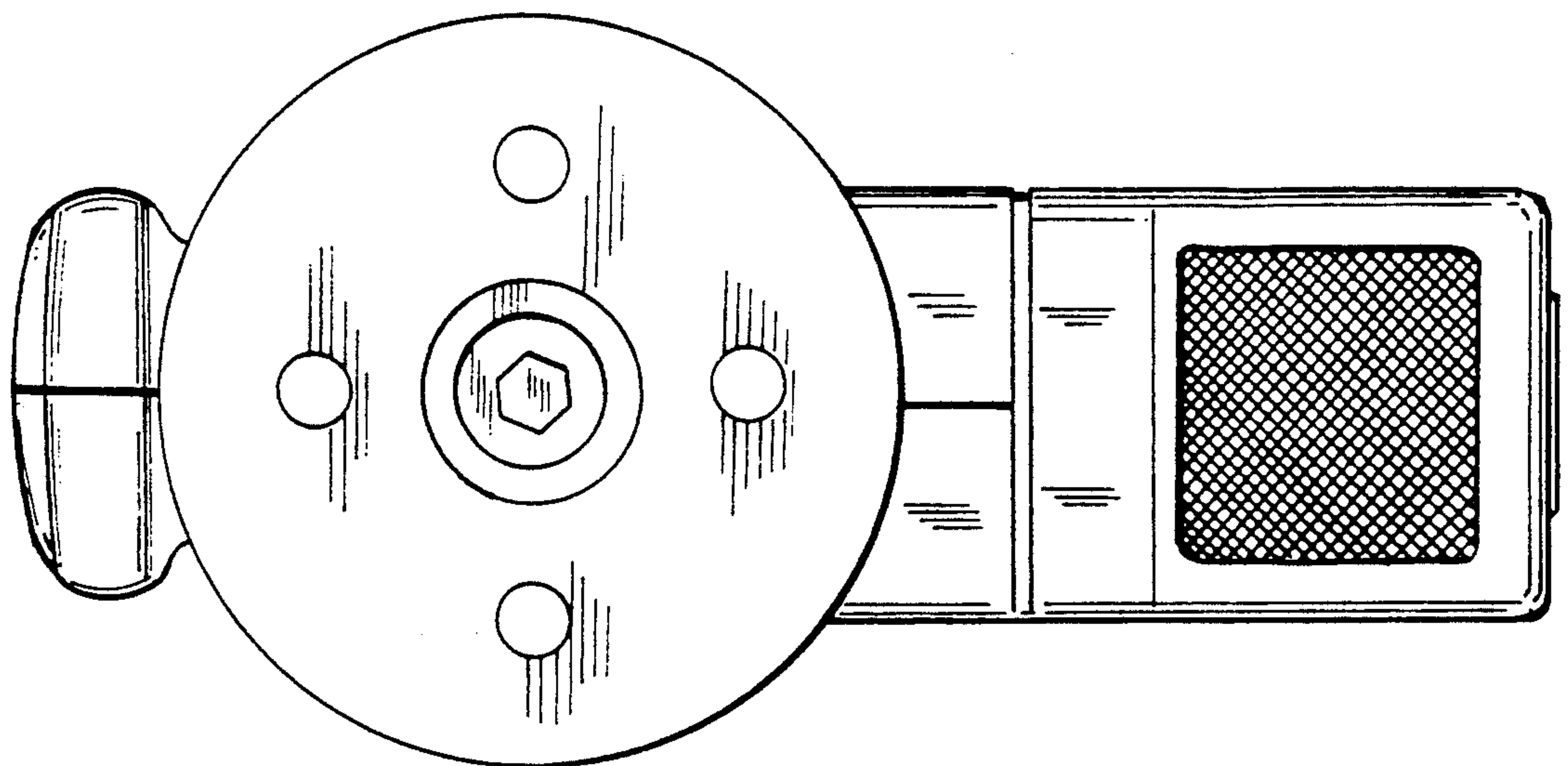


FIG. 8