



US00D332556S

United States Patent [19]

[11] Patent Number: **Des. 332,556**

Snider

[45] Date of Patent: **** Jan. 19, 1993**

- [54] GREASE GUN
- [75] Inventor: **Phil A. Snider**, Hicksville, Ohio
- [73] Assignee: **Cooper Industries, Inc.**, Houston, Tex.
- [**] Term: **14 Years**
- [21] Appl. No.: **601,081**
- [22] Filed: **Oct. 18, 1990**
- [52] U.S. Cl. **D8/14.1**
- [58] Field of Search D8/14.1; D15/150, 151, D15/152, 199; 222/251, 255, 256, 323, 324, 386, 383, 387, 388, 389, 390-397, 391-392

- 2,765,963 10/1956 Langguth 222/255
- 4,036,410 7/1977 Mombäecher 222/255
- 4,198,756 4/1980 Dragan D8/14.1
- 4,852,772 8/1989 Ennis, III 222/386

Primary Examiner—Nelson C. Holtje
Assistant Examiner—J. H. Musgrove
Attorney, Agent, or Firm—Alan R. Thiele; Eddie E. Scott

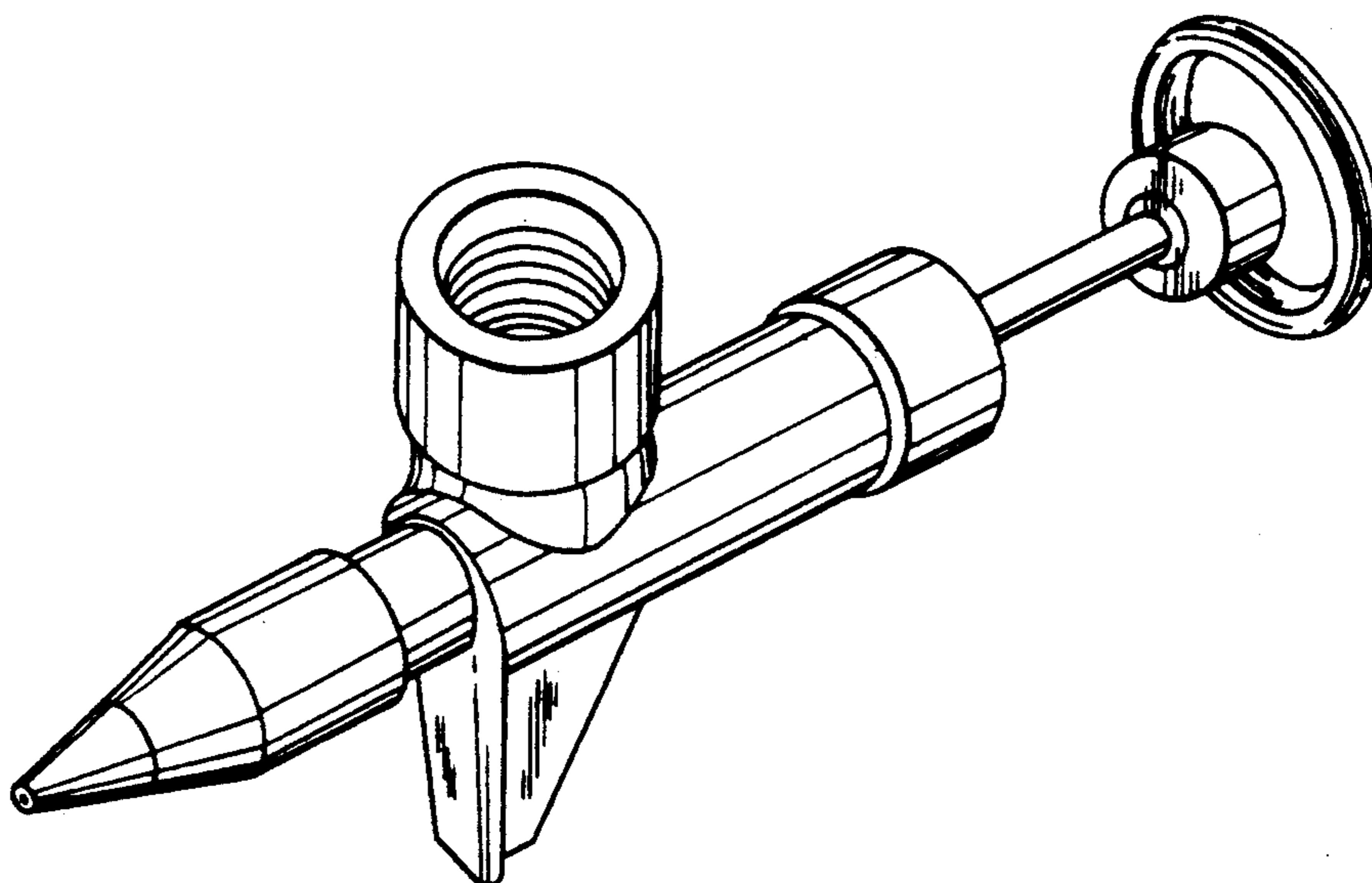
[56] **References Cited**
U.S. PATENT DOCUMENTS

- D. 321,309 11/1991 Myers D8/14.1
- 1,843,113 2/1932 Dunlap 222/251
- 1,956,072 4/1934 Krause 222/256
- 2,703,191 3/1955 Jernander 222/255

[57] **CLAIM**
 The ornamental design for a grease gun, as shown.

DESCRIPTION

FIG. 1 is a top, front and left side perspective view of a grease gun showing my new design;
 FIG. 2 is a bottom plan view thereof;
 FIG. 3 is a right side elevational view thereof;
 FIG. 4 is a rear elevational view thereof;
 FIG. 5 is a left side elevational view thereof;
 FIG. 6 is a front elevational view thereof; and,
 FIG. 7 is a top plan view thereof.



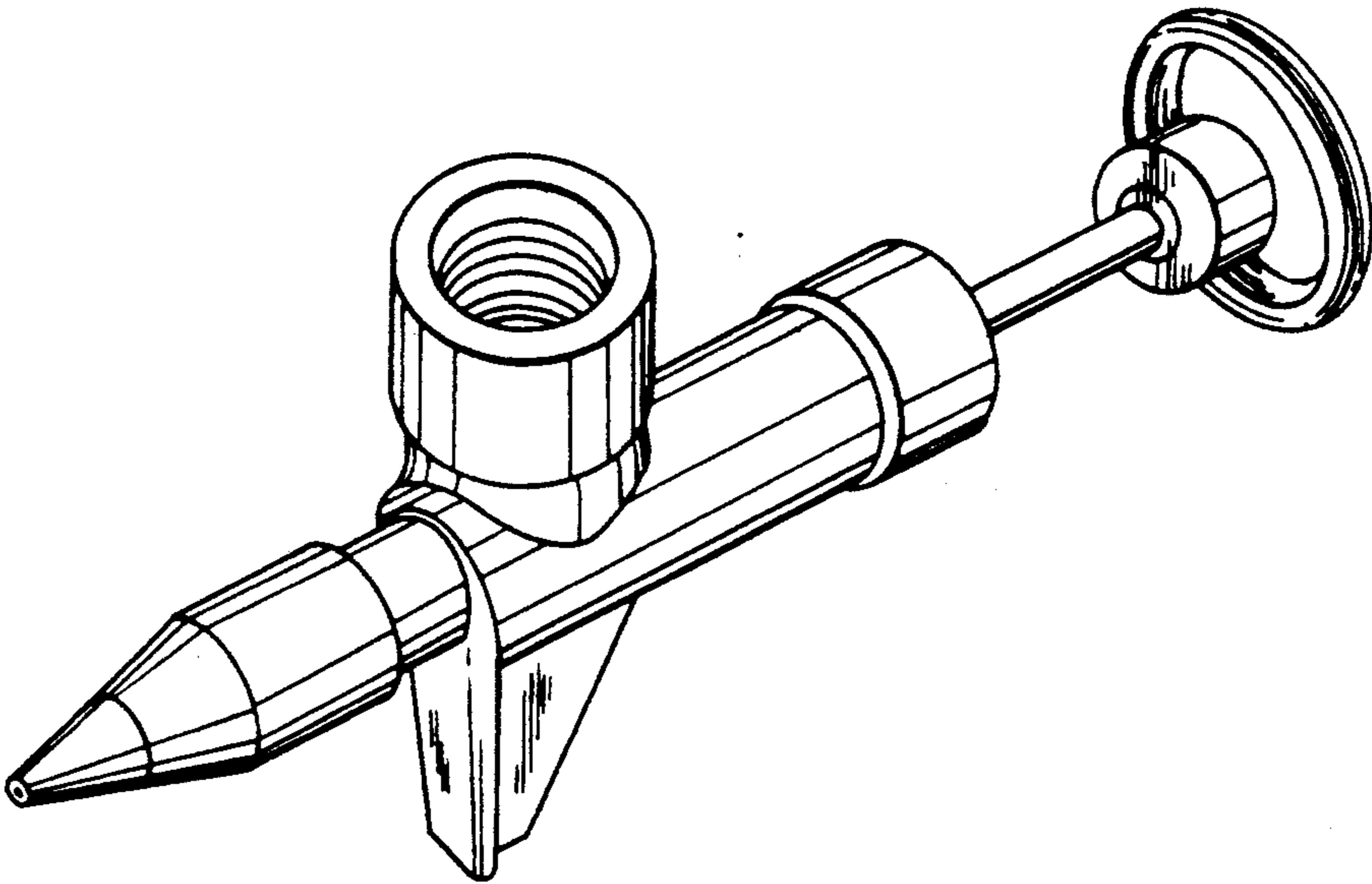


FIG. 1

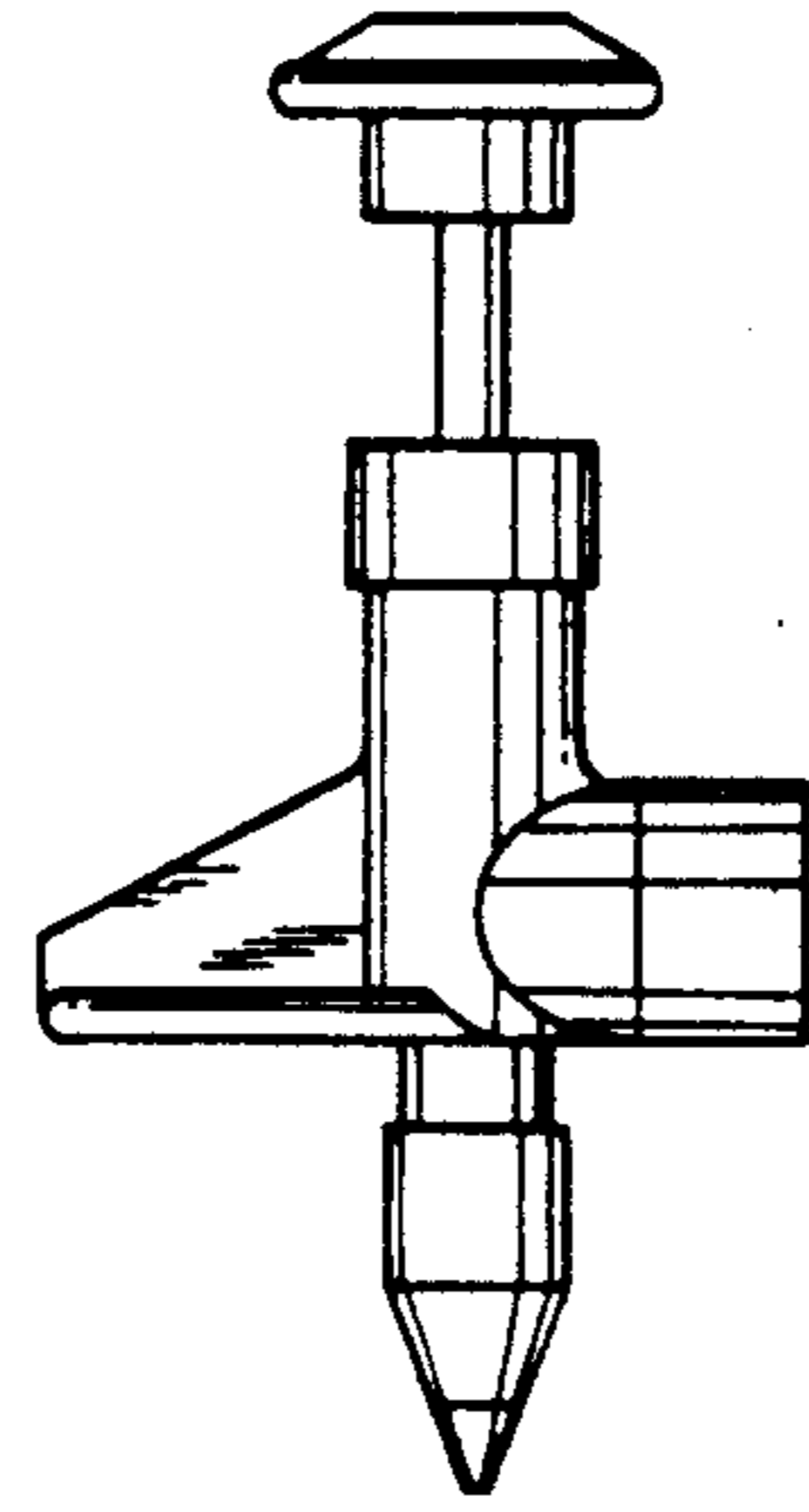
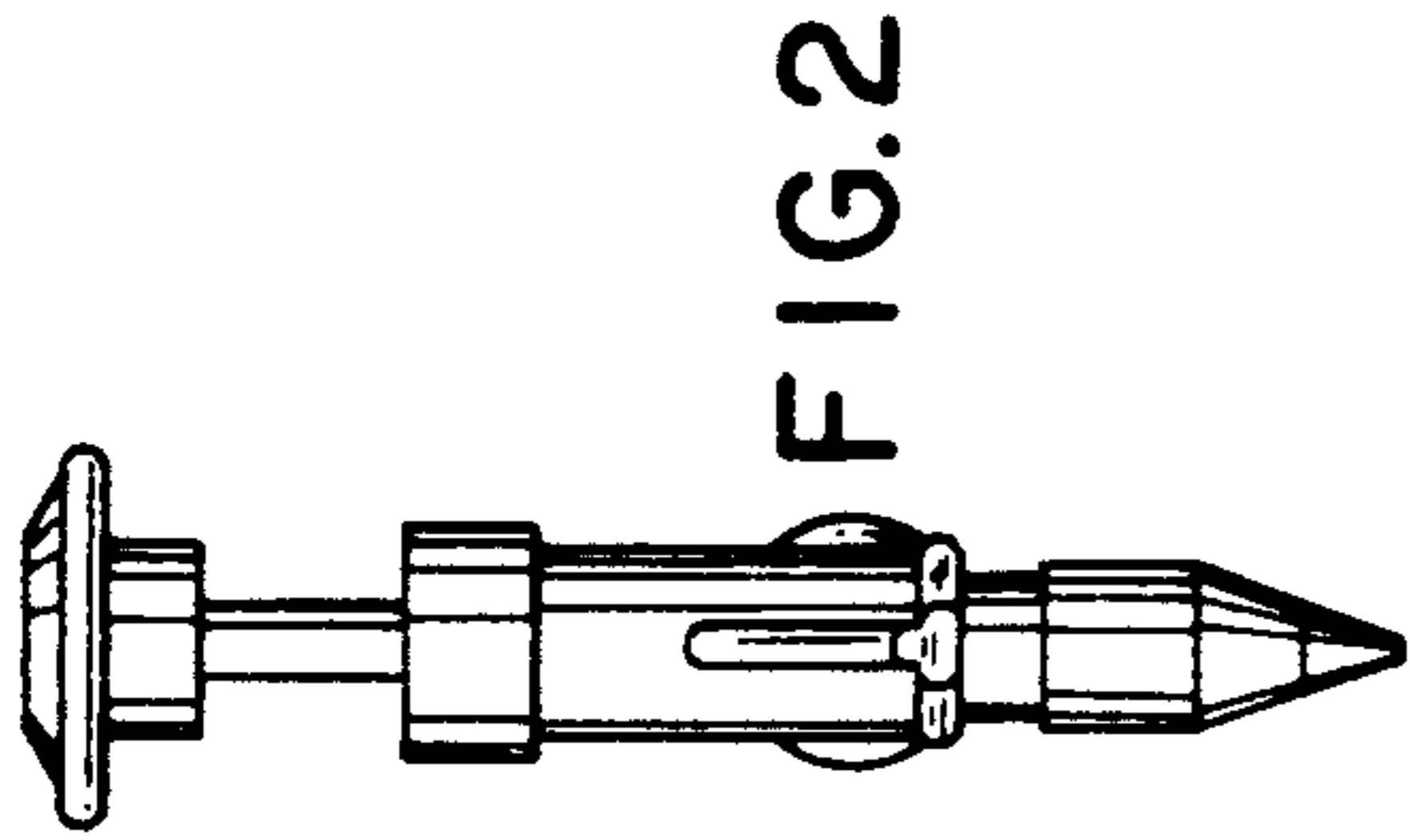


FIG. 6

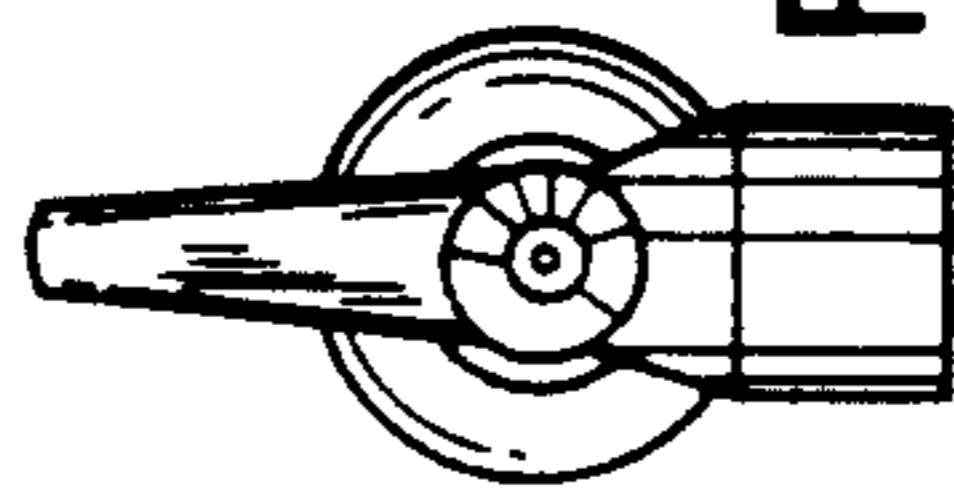


FIG. 5

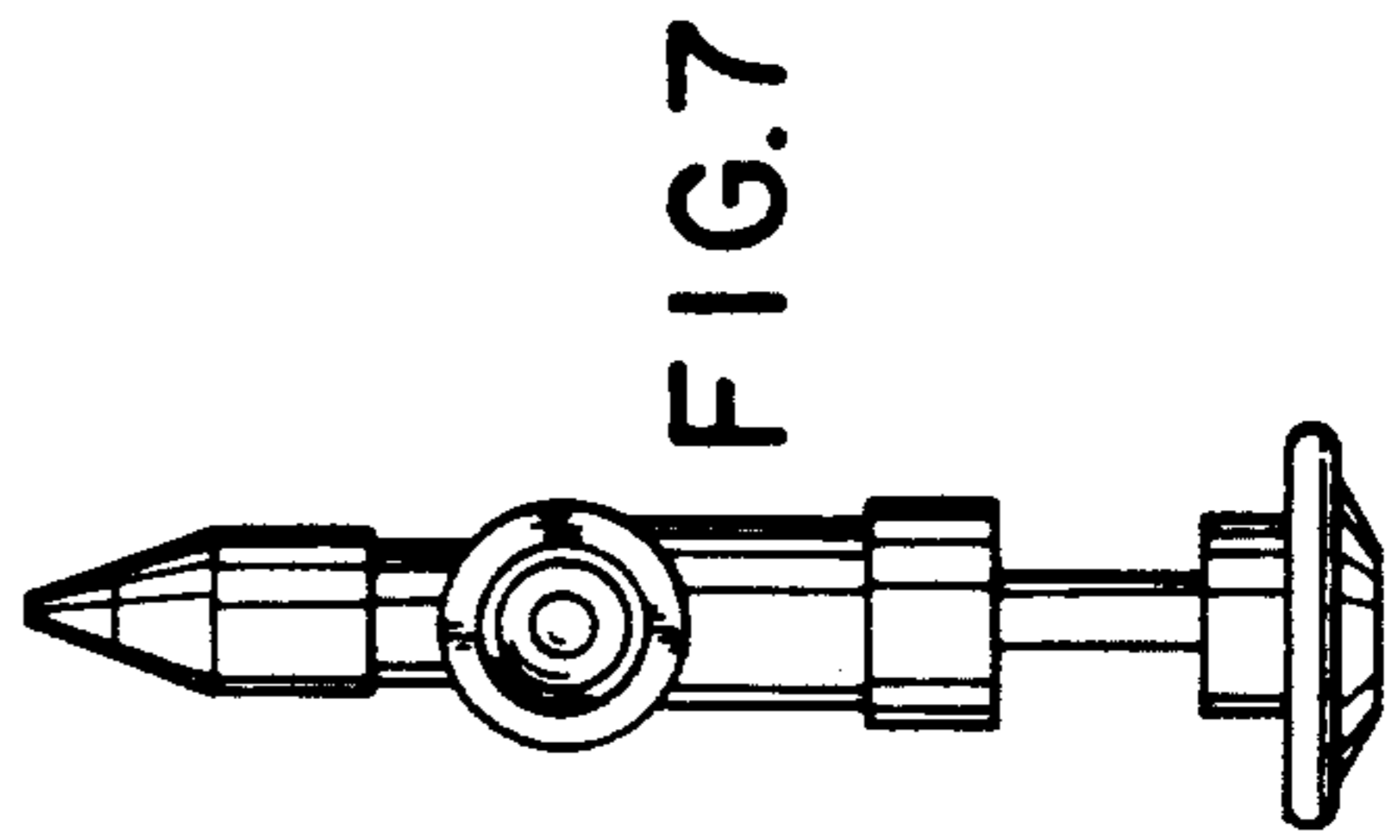


FIG. 7

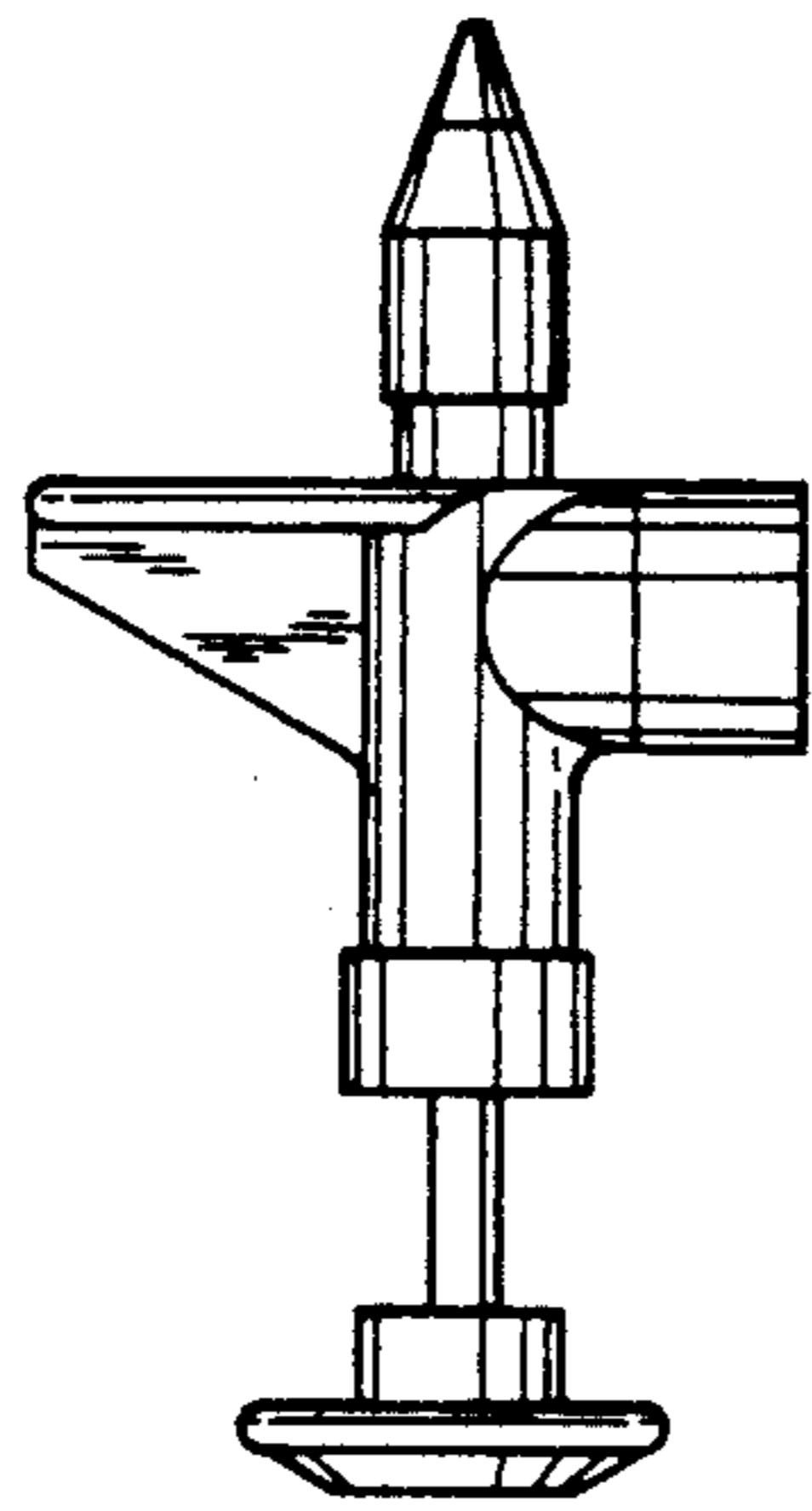


FIG. 4

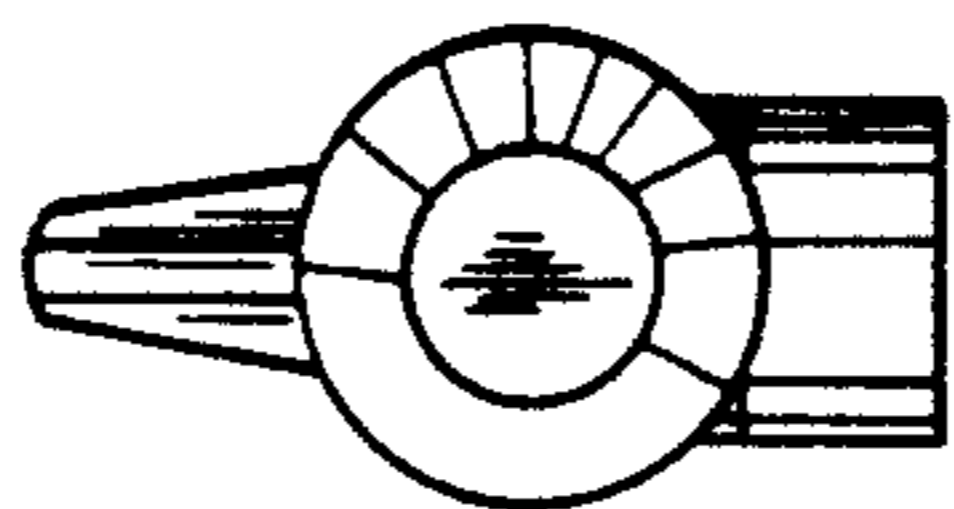


FIG. 3