



US00D332552S

# United States Patent [19]

[11] Patent Number: **Des. 332,552**

Lynch

[45] Date of Patent: **\*\* Jan. 19, 1993**

[54] **COMBINED CUP AND PLATE HOLDER**

3,376,974	4/1968	Hilliard .	
3,941,286	3/1976	Perkinson .	
4,516,685	5/1985	French .	
4,732,274	3/1988	Bouton .	
4,989,742	2/1991	Powell .....	220/737 X

[76] Inventor: **C. Richard Lynch**, 3666 S. Acoma St.  
#101, Englewood, Colo. 80110

[\*\*] Term: **14 Years**

*Primary Examiner*—Terry A. Pfeffer  
*Attorney, Agent, or Firm*—Jay K. Malkin

[21] Appl. No.: **692,080**

[22] Filed: **Apr. 26, 1991**

[57] **CLAIM**

[52] U.S. Cl. .... **D7/619; D7/505**

The ornamental design for a combined cup and plate holder, as shown and described.

[58] Field of Search ..... **D7/396.1, 505, 507, D7/549, 550, 553, 616-625; 206/557, 562; 211/71, 74; 220/23.83; 248/310, 311.2**

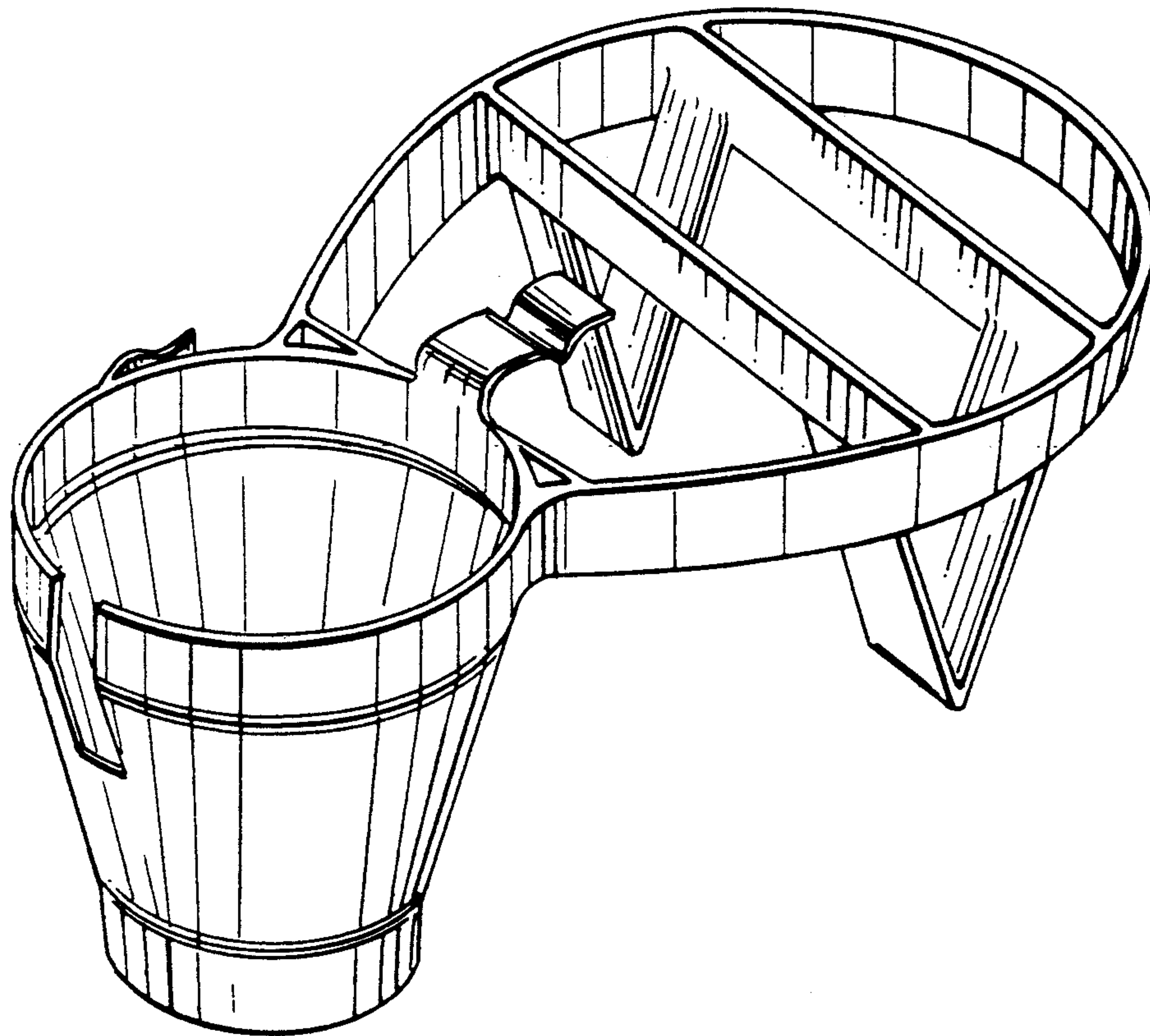
**DESCRIPTION**

[56] **References Cited**

**U.S. PATENT DOCUMENTS**

D. 307,529	5/1990	Baetens .
2,920,804	1/1960	Minton .
3,115,251	12/1963	Farrell .
3,179,320	4/1965	Ward .

FIG. 1 is a right side perspective view of a combined cup and plate holder showing my new design; FIG. 2 is a top plan view thereof; FIG. 3 is a bottom plan view thereof; FIG. 4 is a left side elevational view thereof; FIG. 5 is a front elevational view thereof; and, FIG. 6 is a rear elevational view thereof.



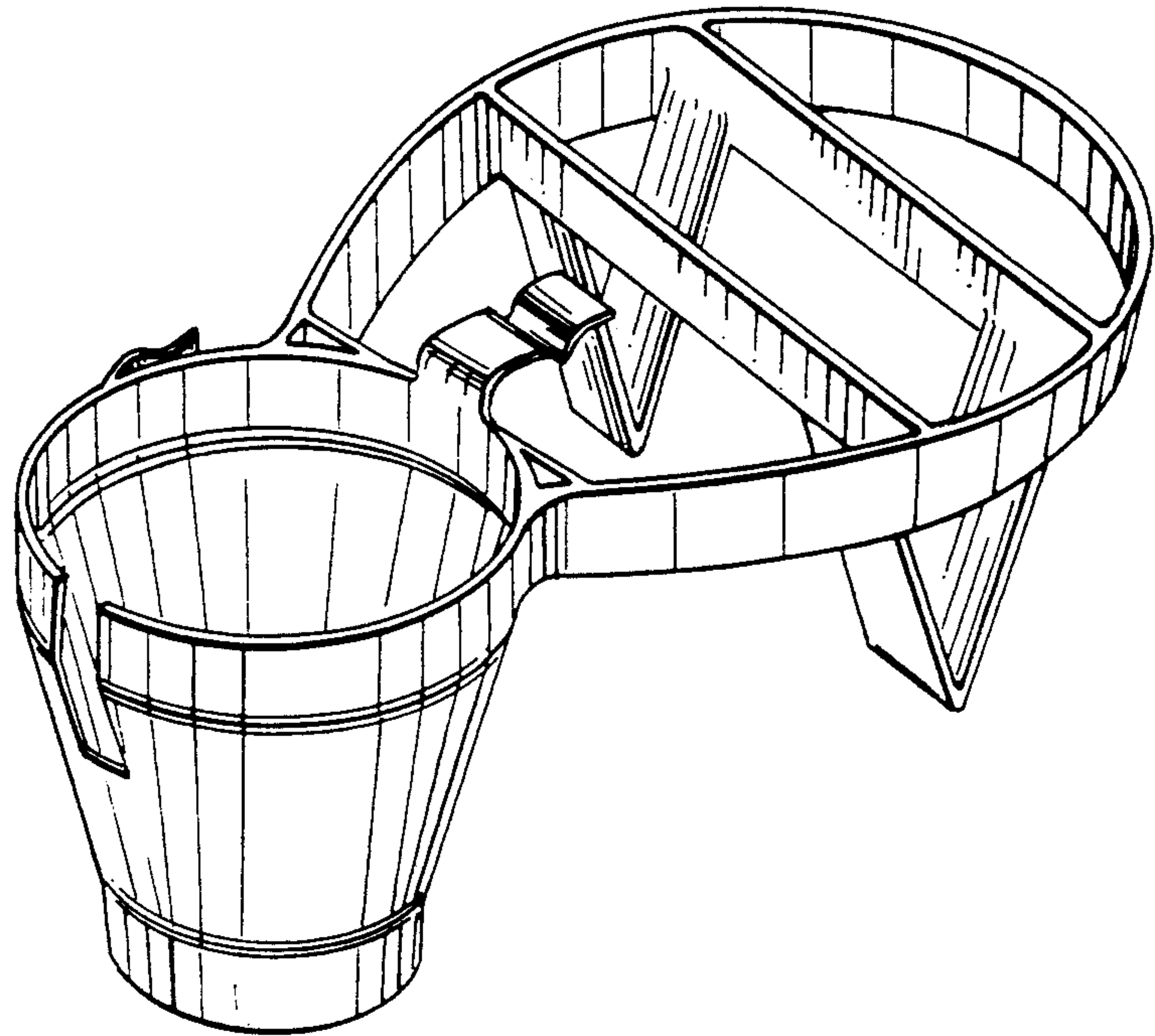


FIG. 1

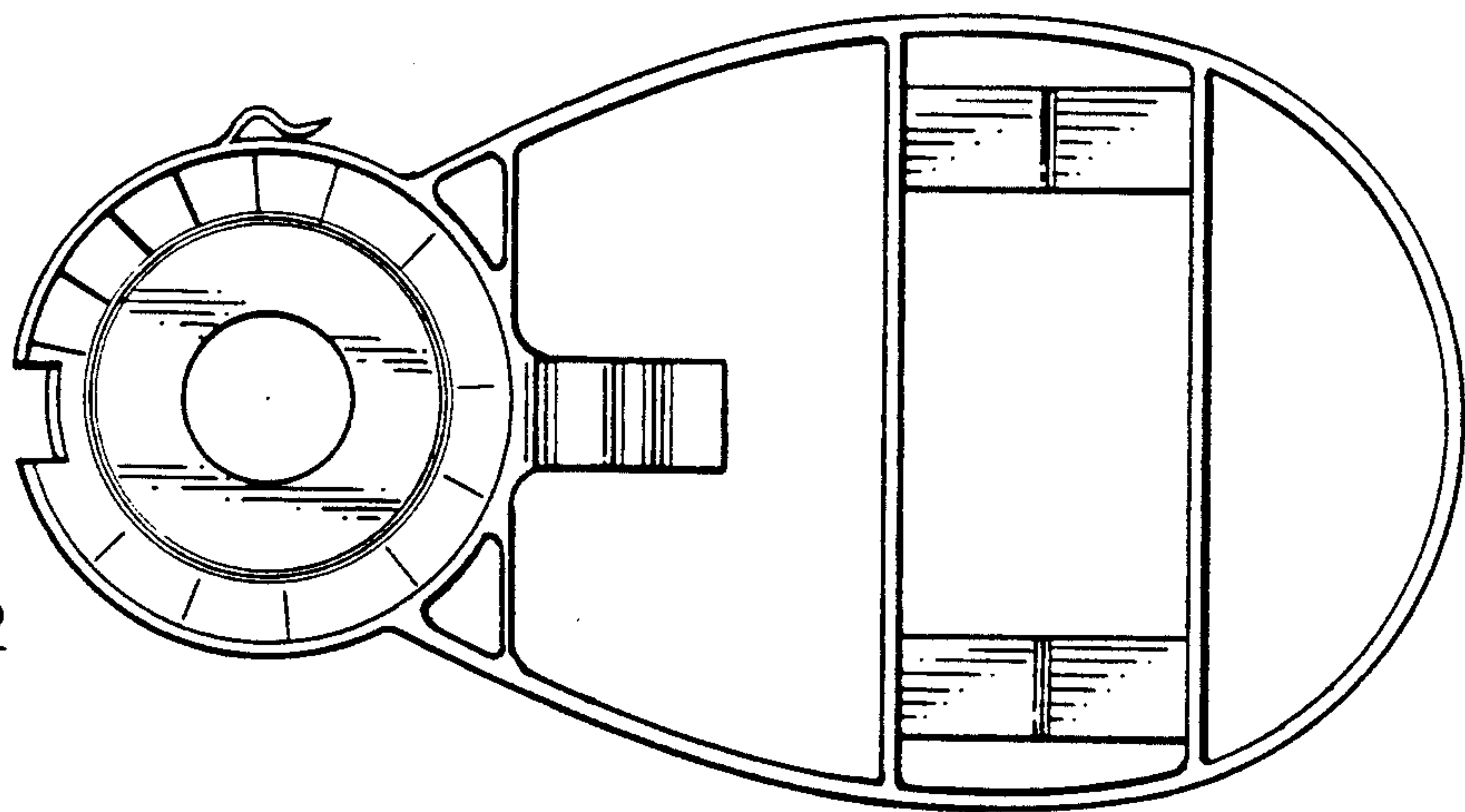


FIG. 2

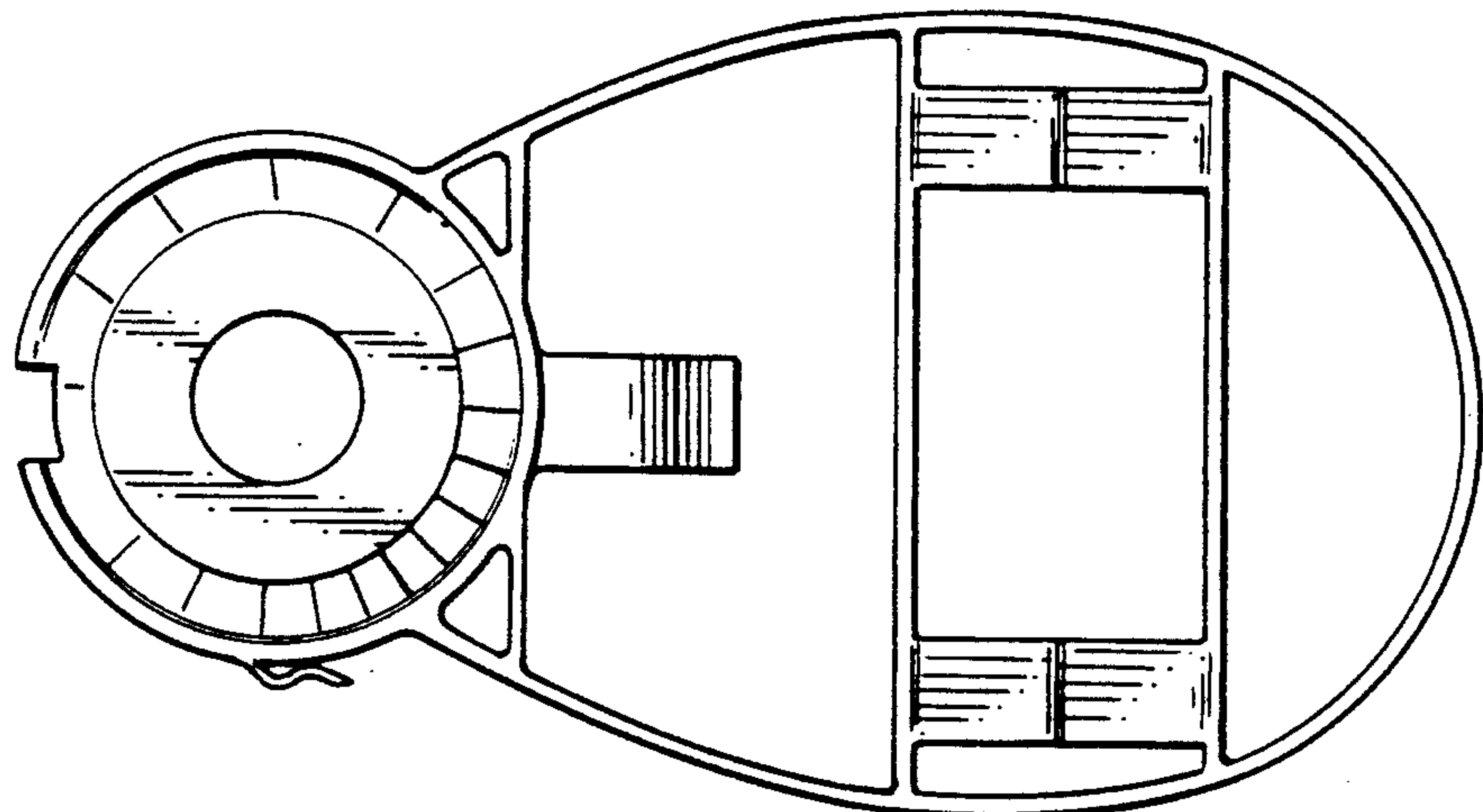


FIG. 3

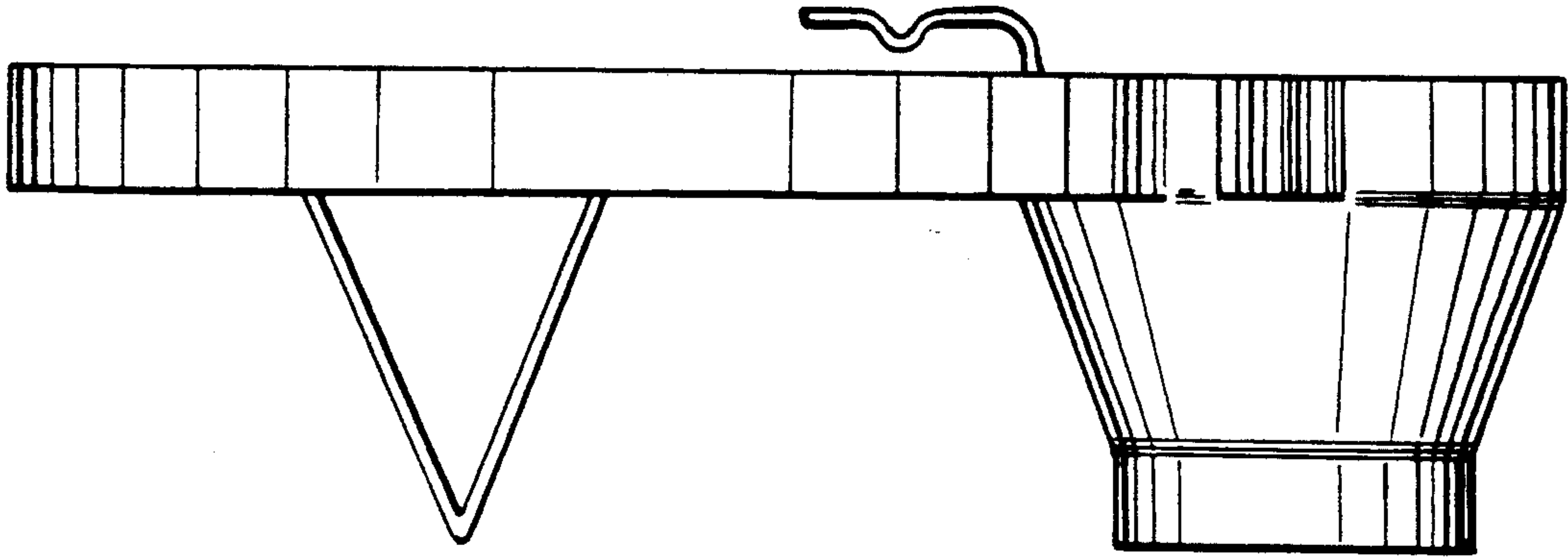


FIG. 4

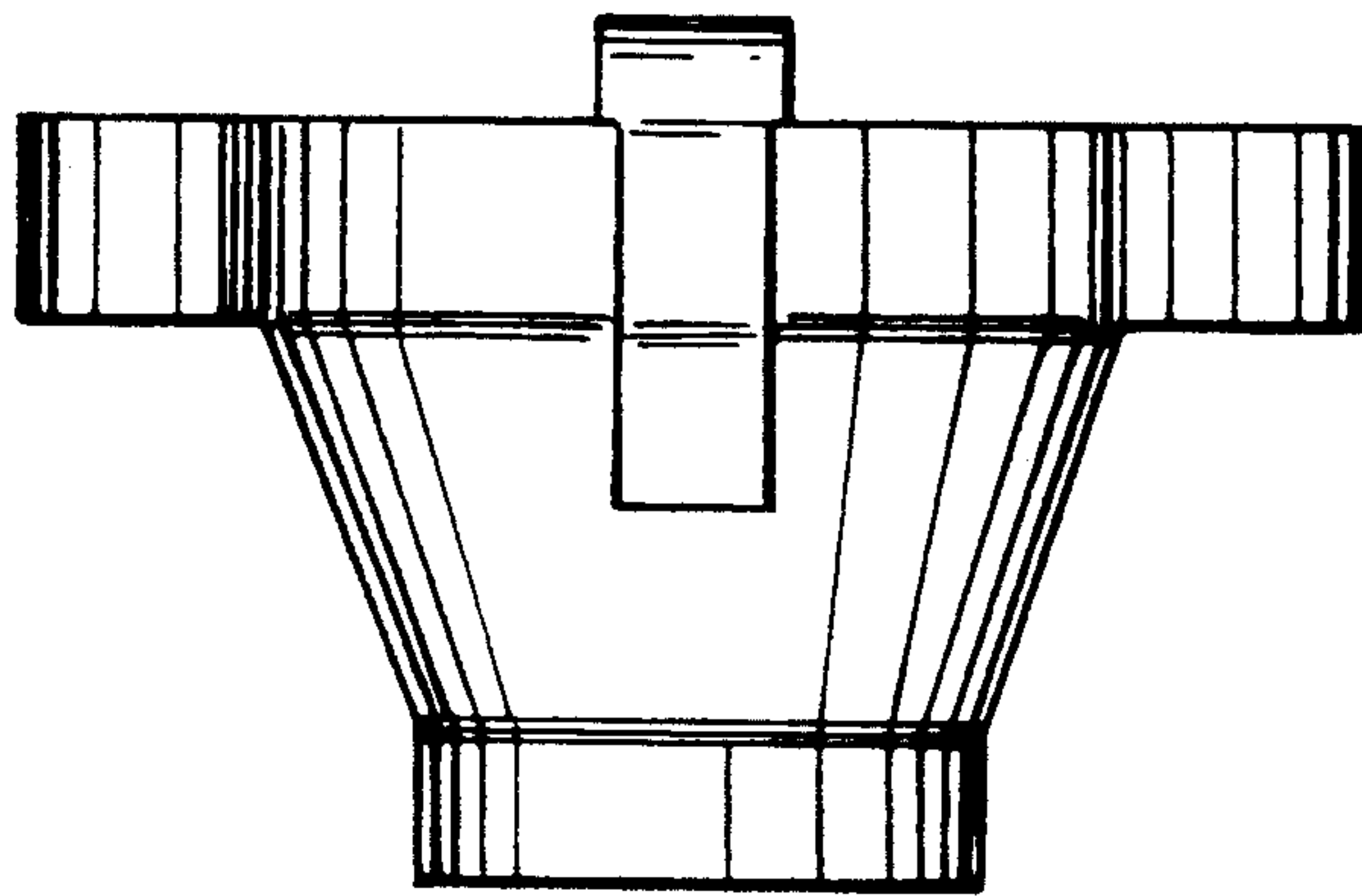


FIG. 5

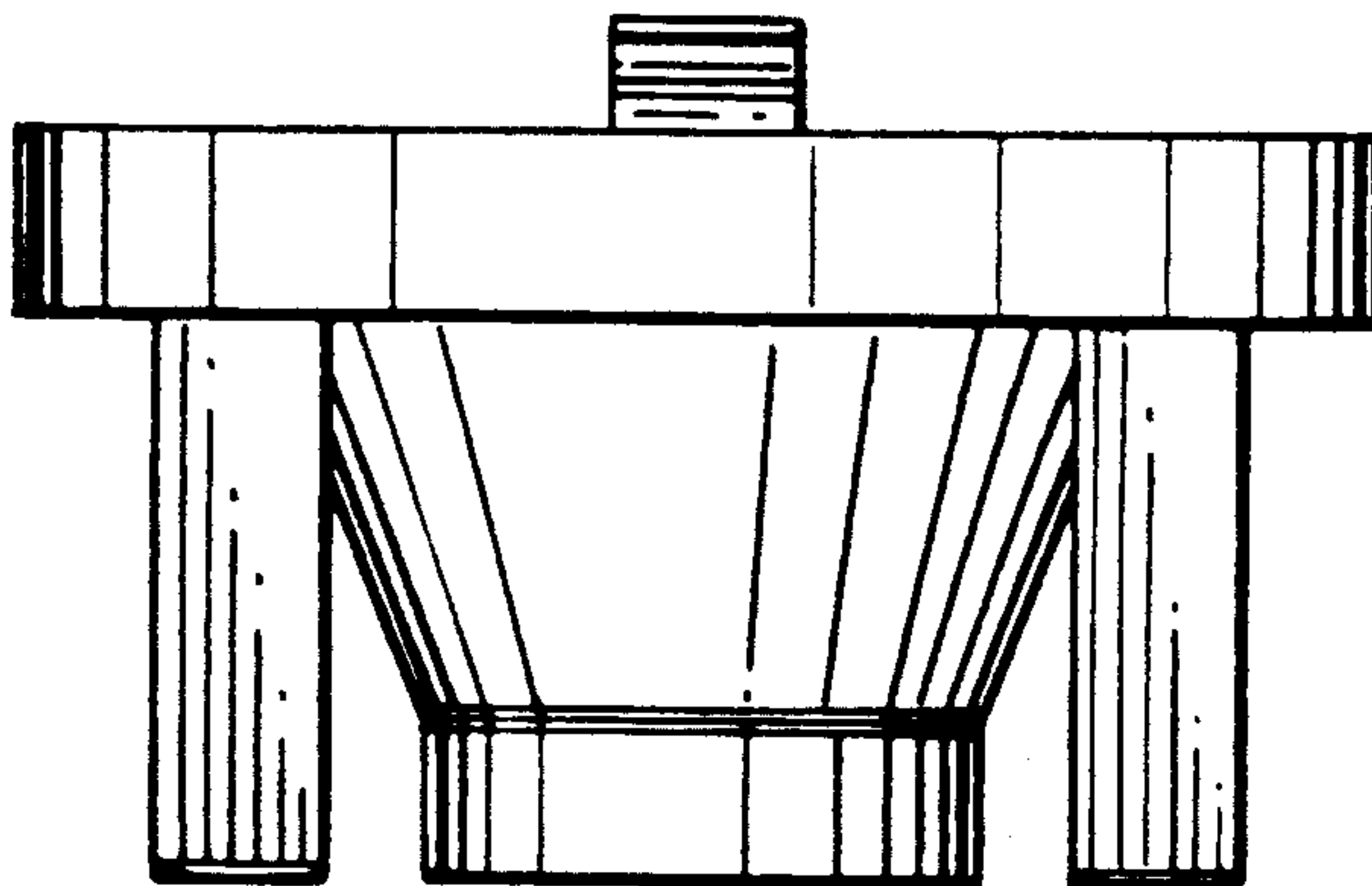


FIG. 6