



US00D332545S

United States Patent [19]

VanderVelden

[11] Patent Number: **Des. 332,545**

[45] Date of Patent: **** Jan. 19, 1993**

[54] **CUSHION INSERT FOR A BABY CRIB**

[76] Inventor: **Doreen M. VanderVelden, A6346**
147th Ave., Holland, Mich. 49423

[**] Term: **14 Years**

[21] Appl. No.: **588,217**

[22] Filed: **Sep. 26, 1990**

[52] U.S. Cl. **D6/596; D6/608;**
D6/614; D6/616; D6/589

[58] Field of Search **D6/491, 601, 613, 614,**
D6/616, 604, 596, 608, 589

[56] **References Cited**

U.S. PATENT DOCUMENTS

D. 229,912	1/1974	Bradford	D6/616
D. 309,391	2/1990	King et al.	D6/601
D. 316,793	5/1991	Manjariez	D6/601

OTHER PUBLICATIONS

Best 1988-1989, p. 302, lower left baby seat w/bear.
Institutions Magazine, Sep. 1958, p. 29, top center.

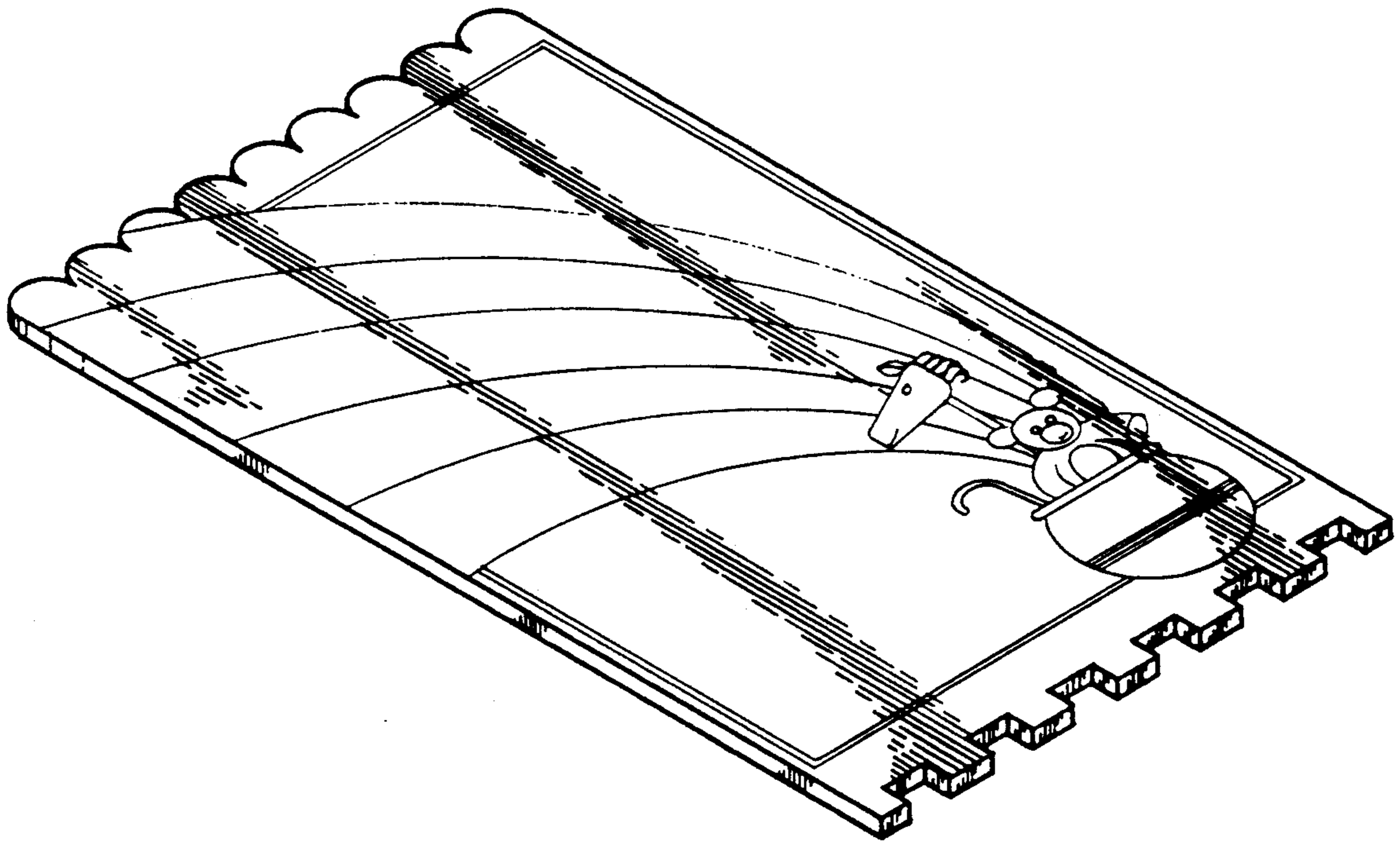
Primary Examiner—Nelson C. Holtje
Assistant Examiner—Janice Seeger
Attorney, Agent, or Firm—Terry M. Gernstein

[57] **CLAIM**

The ornamental design for a cushion insert for a baby crib, as shown and described.

DESCRIPTION

FIG. 1 is a perspective view of a cushion insert for a baby crib, showing my new design;
FIG. 2 is a top plan view;
FIG. 3 is a bottom plan view;
FIG. 4 is an end elevational view;
FIG. 5 is an elevational view, showing the end opposite that shown in FIG. 4; and,
FIG. 6 is a side elevational view thereof.



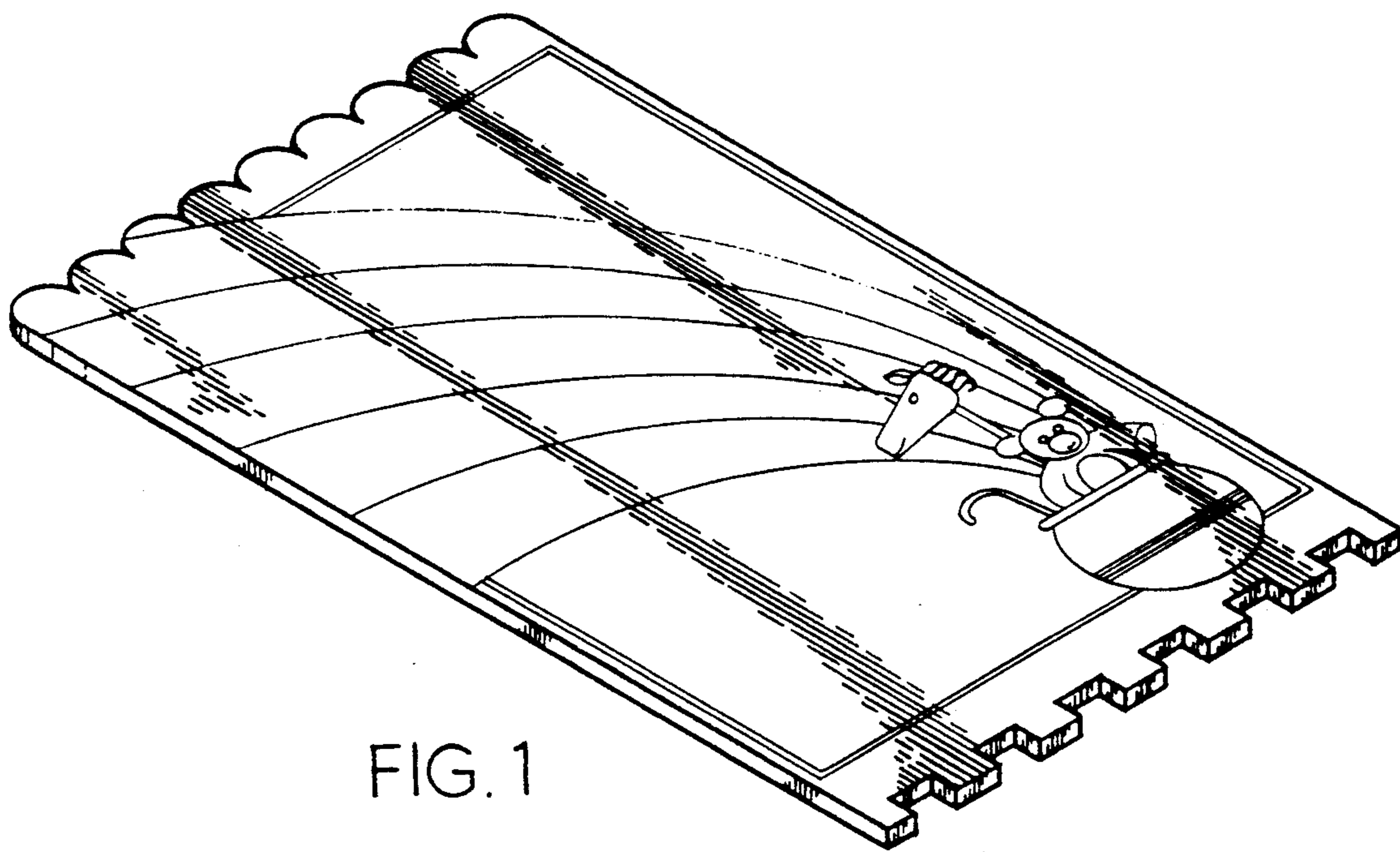


FIG. 1

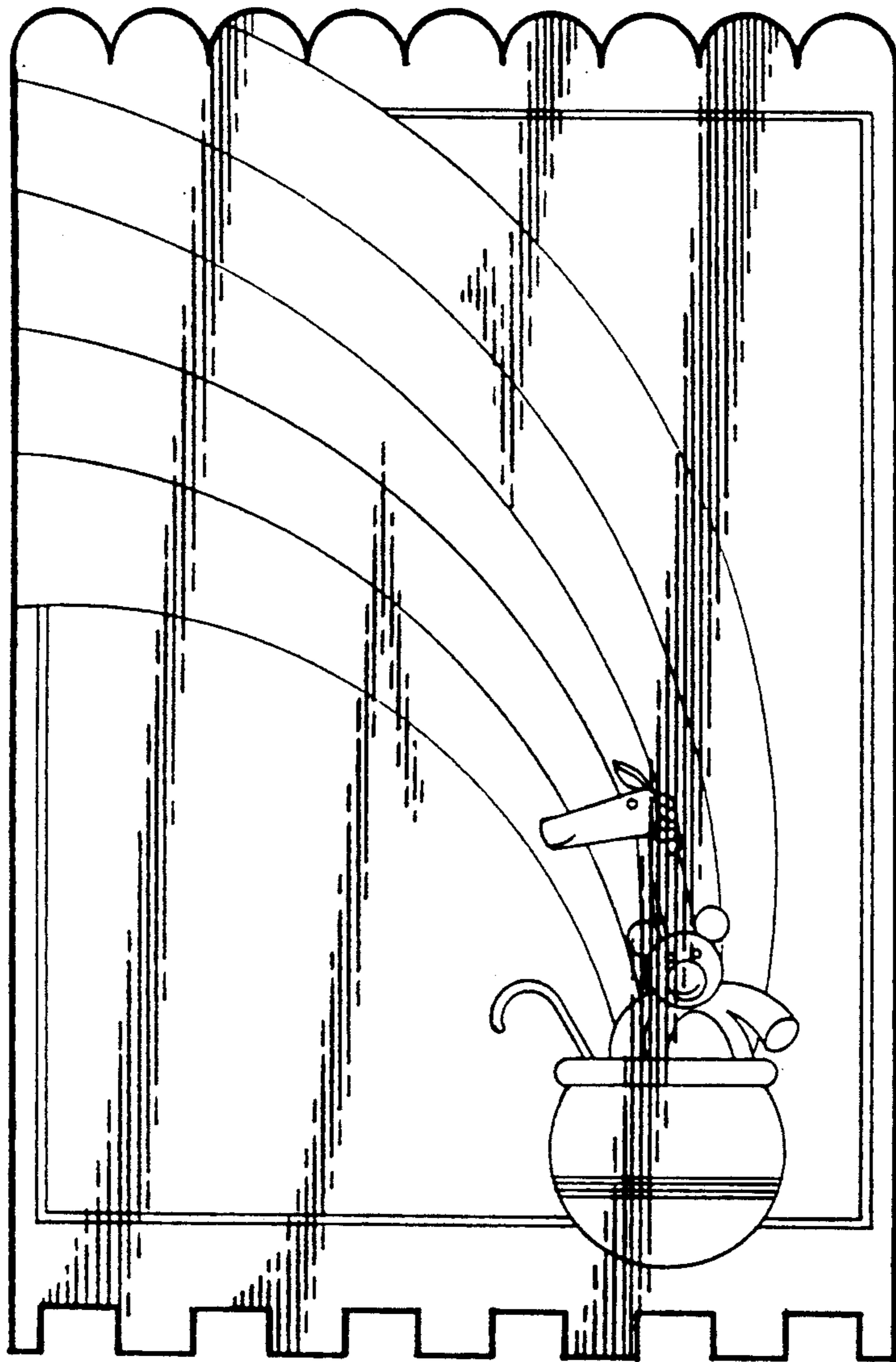


FIG. 2

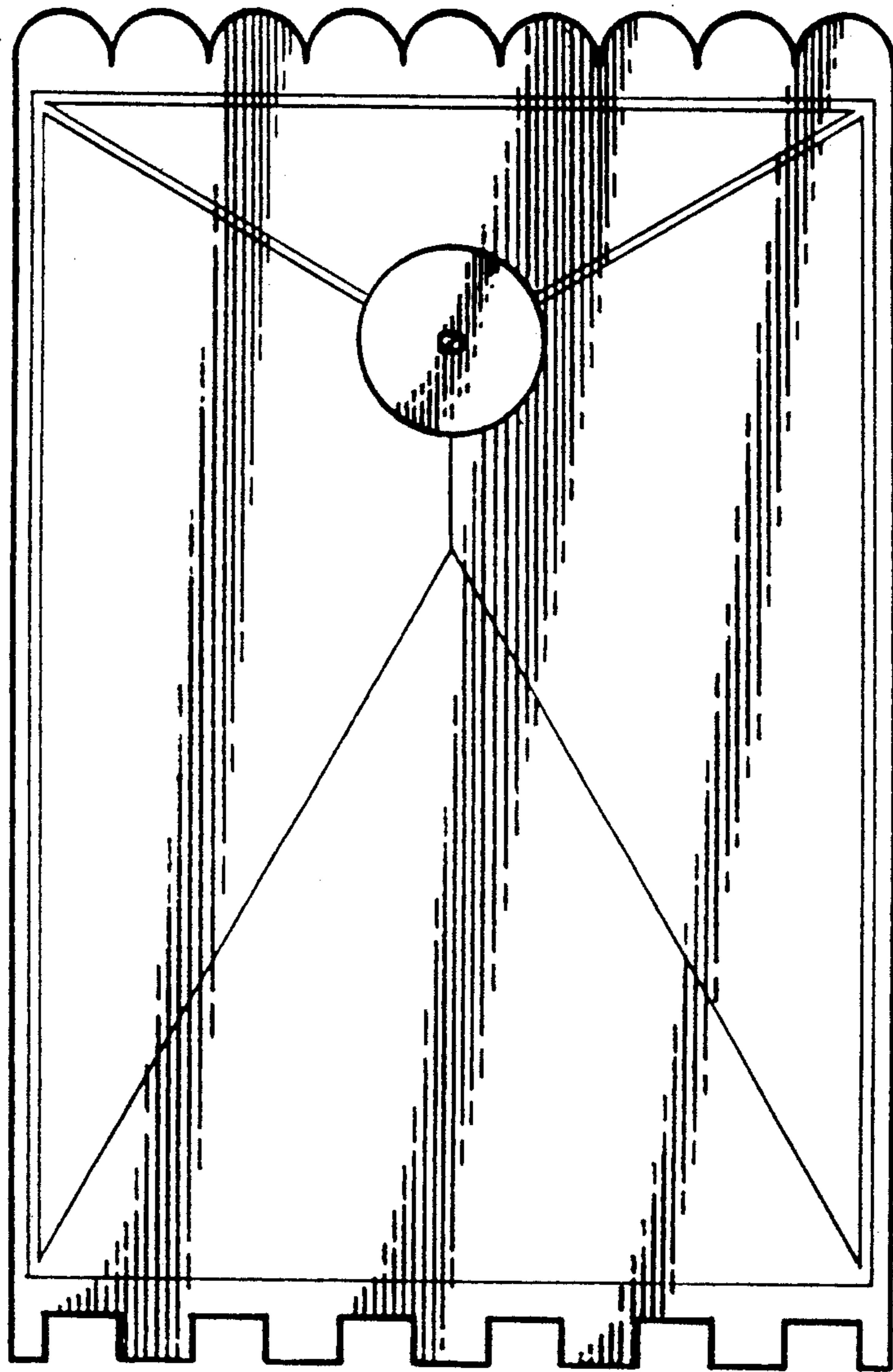


FIG. 3



FIG. 4



FIG. 5



FIG. 6