



US00D332543S

United States Patent [19]

[11] Patent Number: **Des. 332,543**

Crook et al.

[45] Date of Patent: **** Jan. 19, 1993**

[54] WALL-MOUNTED SOAP DISH

[75] Inventors: **Gregory M. Crook, Columbus; Kent W. Murphy, Wooster, both of Ohio**

[73] Assignee: **Rubbermaid Incorporated, Wooster, Ohio**

[**] Term: **14 Years**

[21] Appl. No.: **528,776**

[22] Filed: **May 25, 1990**

[52] U.S. Cl. **D6/545**

[58] Field of Search **D6/524, 536-540; 206/77.1; 211/13, 60.1, 65, 75, 87-88; 248/309 R, 312, 311.2**

Chaussee d'Alseberg, 1180 Bruxelles, Publication date unknown.

Catalog Page, Emsa, Badausstattugen, address unknown. Publication date unknown.

Catalog Page, Dupol-Rubbermaid GmbH, An der Trift 63, D-6072 Dreieich, West Germany, Publication date 1973.

Catalog Page, Rubbermaid Incorporated, 1147 Akron Road, Wooster, Ohio 44691. Publication date 1979.

Catalog Page, Dupol-Rubbermaid GmbH, An der Trift 63, D-6072 Dreieich, West Germany, Publication date 1990.

Primary Examiner—Brian N. Vinson

Attorney, Agent, or Firm—Richard B. O'Planick

[56] References Cited

U.S. PATENT DOCUMENTS

D. 154,903	3/1948	Caldwell .	
D. 202,765	11/1965	Yercheck	D6/536
D. 267,603	11/1983	Cohen	D6/540
D. 277,146	1/1985	Boroch	D6/540
D. 286,355	10/1986	Bussell	D6/536
D. 294,906	3/1988	Pool	D6/531

OTHER PUBLICATIONS

Form (1979) p. 95 Wall-Mounted Soap Dish.

PAMI Catalogue (1987) "Newport" Soap Dish #7006.

"Abitare" (Jun. 1979), p. 52 Wall-Mounted Cup Holder lower left corner.

"Dumus" (May 1988) p. 14, Cup Holder (top left).

Catalog Page, S. A. Grosfillex, Belgique/Belgie, 334

[57] CLAIM

The ornamental design for a wall-mounted soap dish, as shown and described.

DESCRIPTION

FIG. 1 is a top, front, and right side perspective view of a wall-mounted soap dish showing my new design;

FIG. 2 is a front elevational view thereof;

FIG. 3 is a rear elevational view thereof;

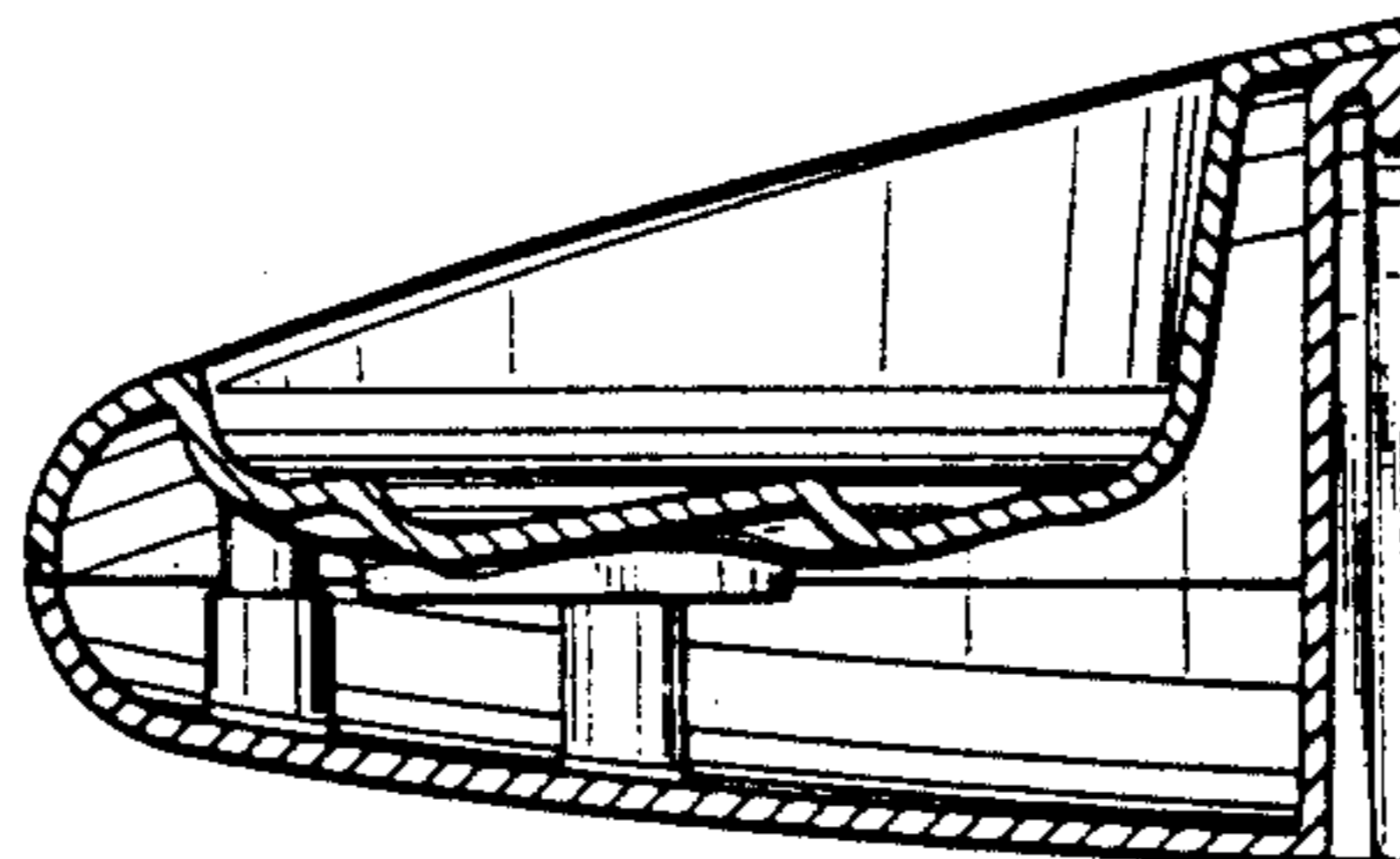
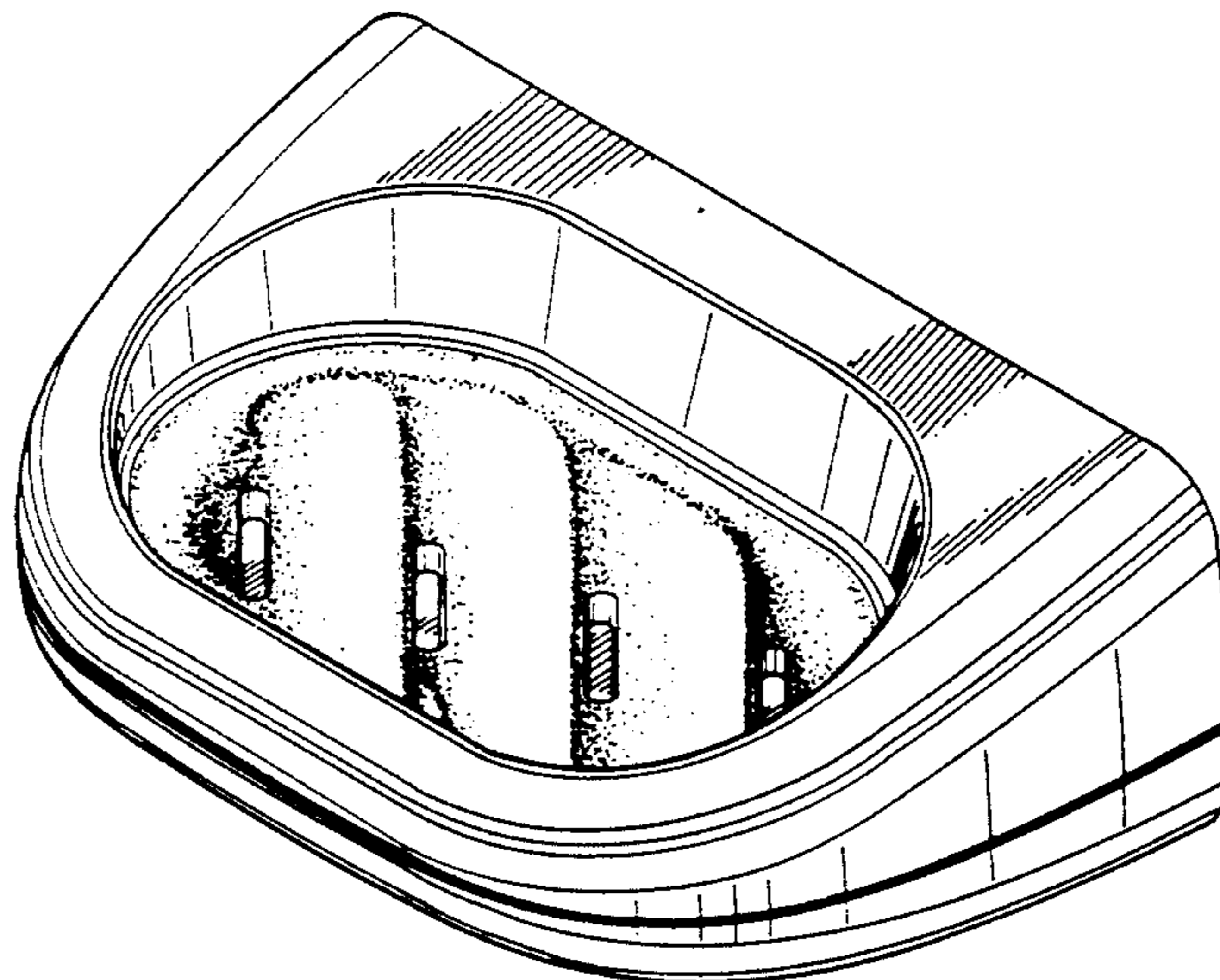
FIG. 4 is a top plan view thereof;

FIG. 5 is a bottom plan view thereof;

FIG. 6 is a right side elevational view thereof, the left side being a mirror image of that shown;

FIG. 7 is a vertical cross-sectional view thereof, taken along line 7-7 of FIG. 4; and,

FIG. 8 is a vertical cross-sectional view thereof, taken along line 8-8 of FIG. 4.



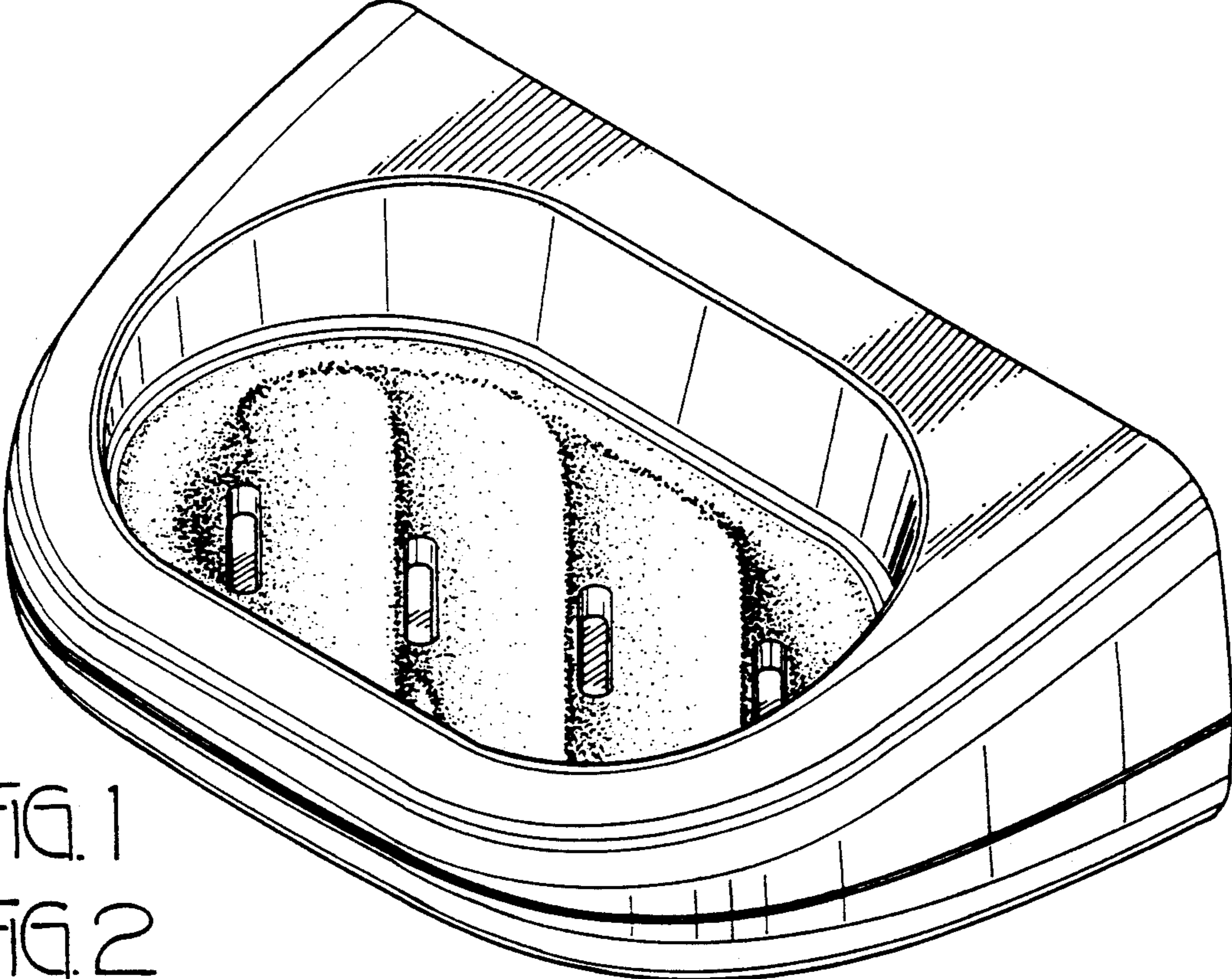


FIG. 1

FIG. 2

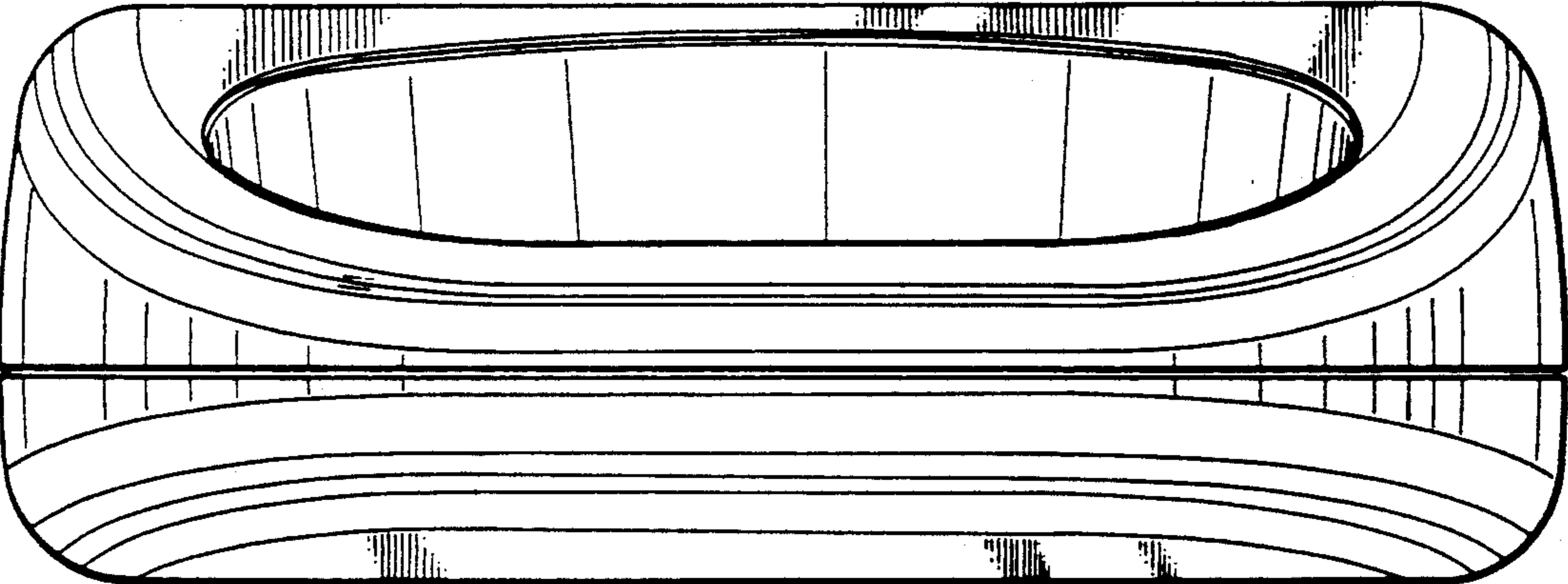
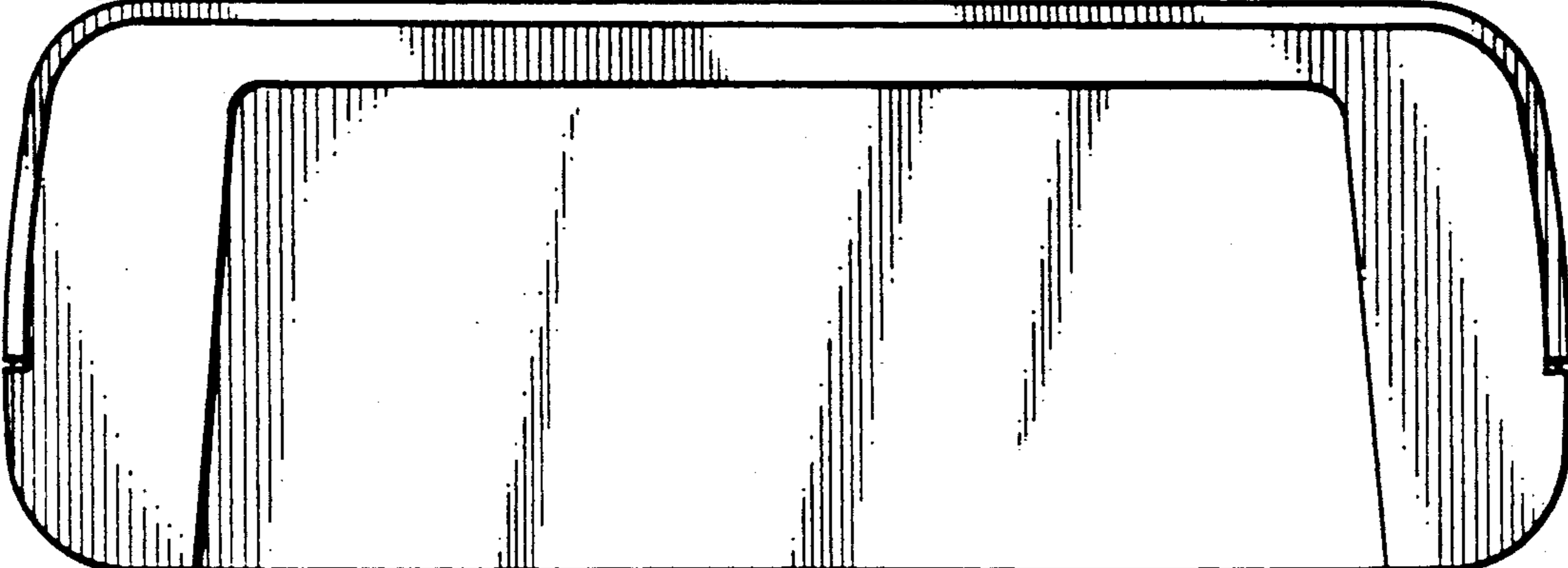
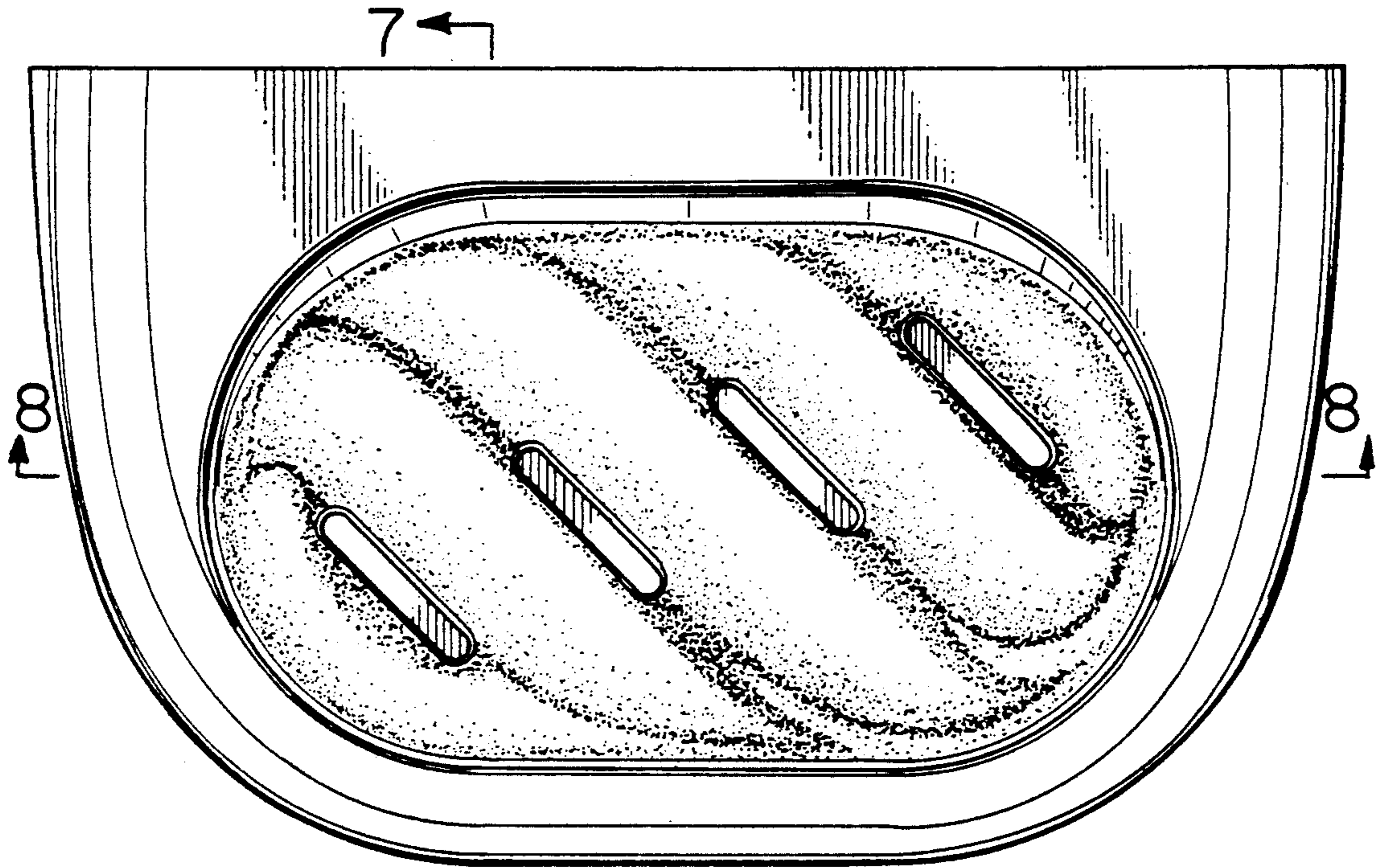


FIG. 3





7 ← FIG. 4

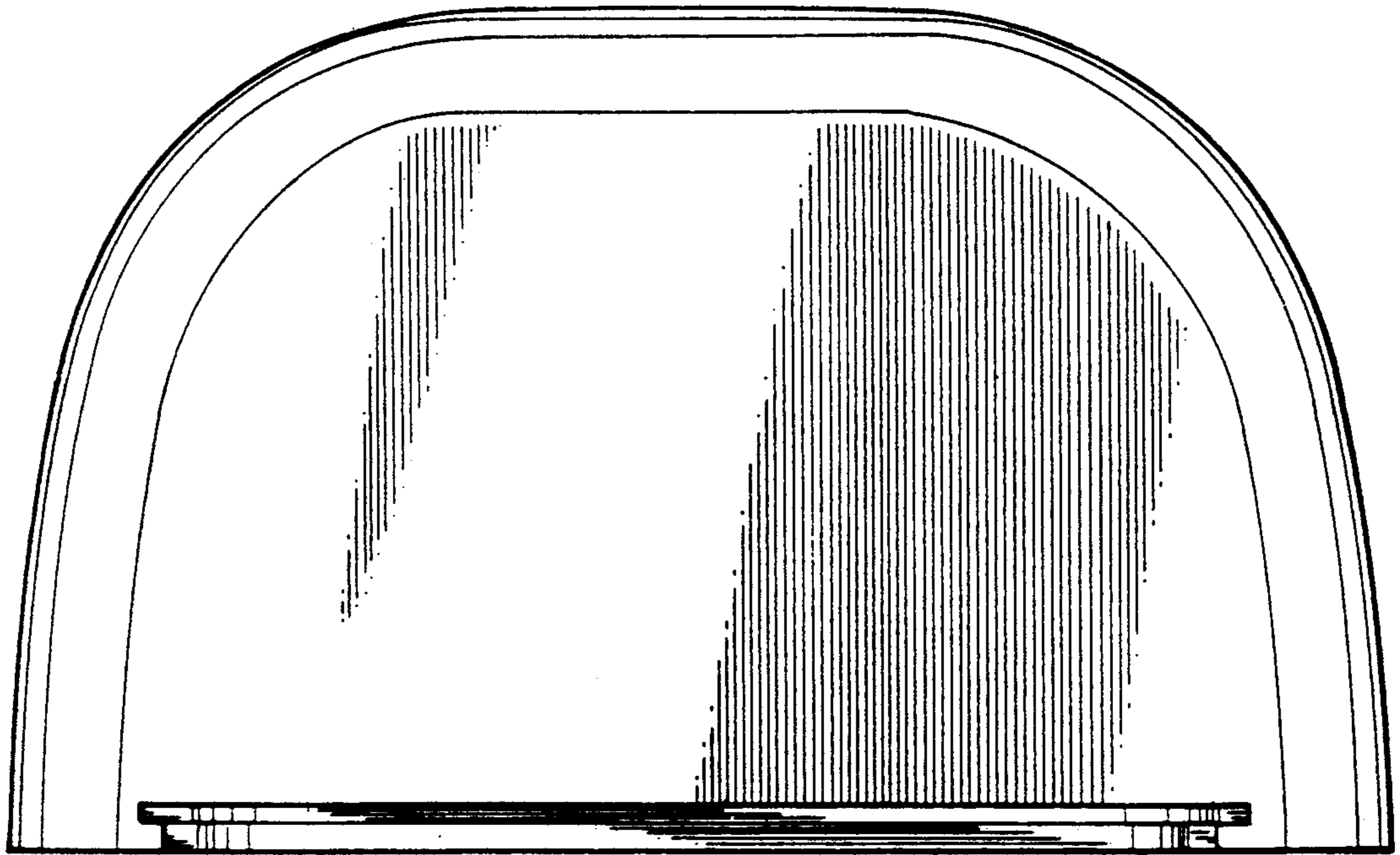


FIG. 5

FIG. 6

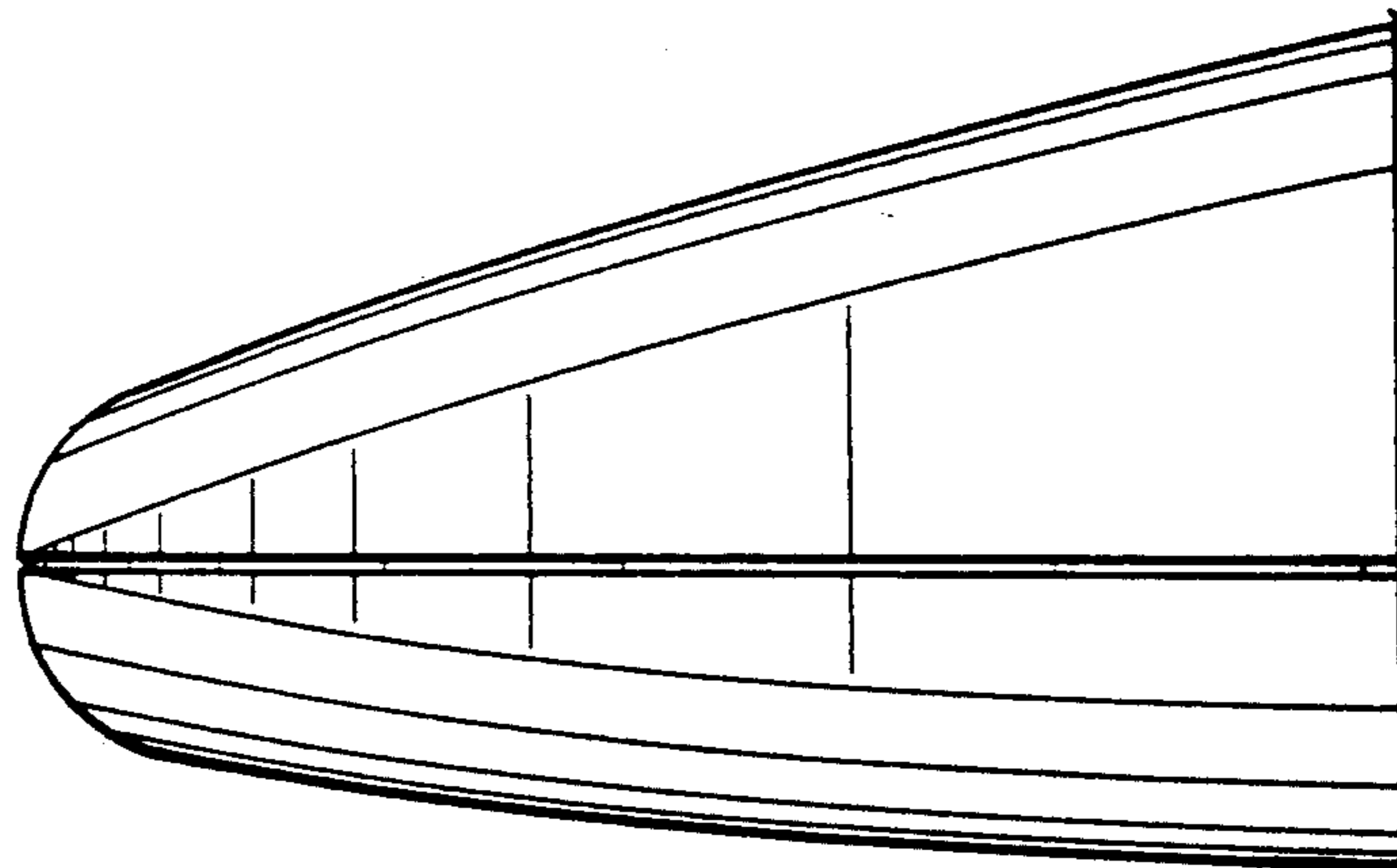


FIG. 7

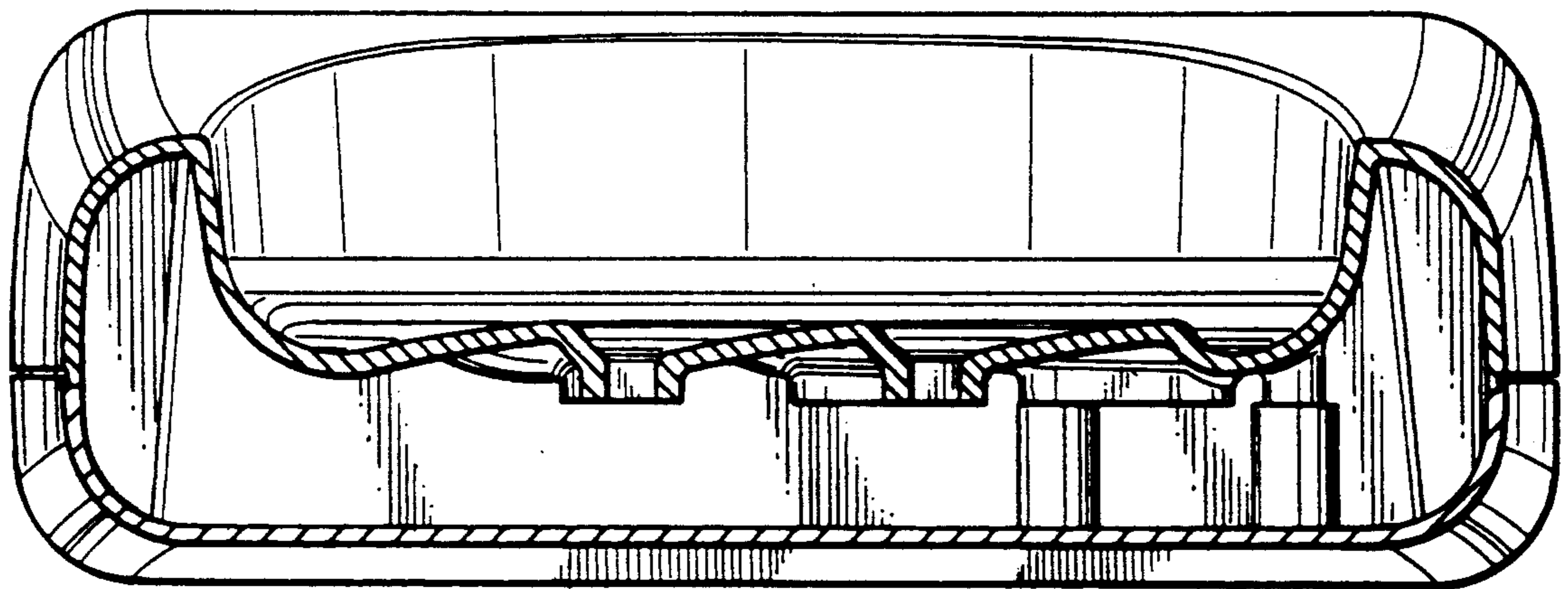
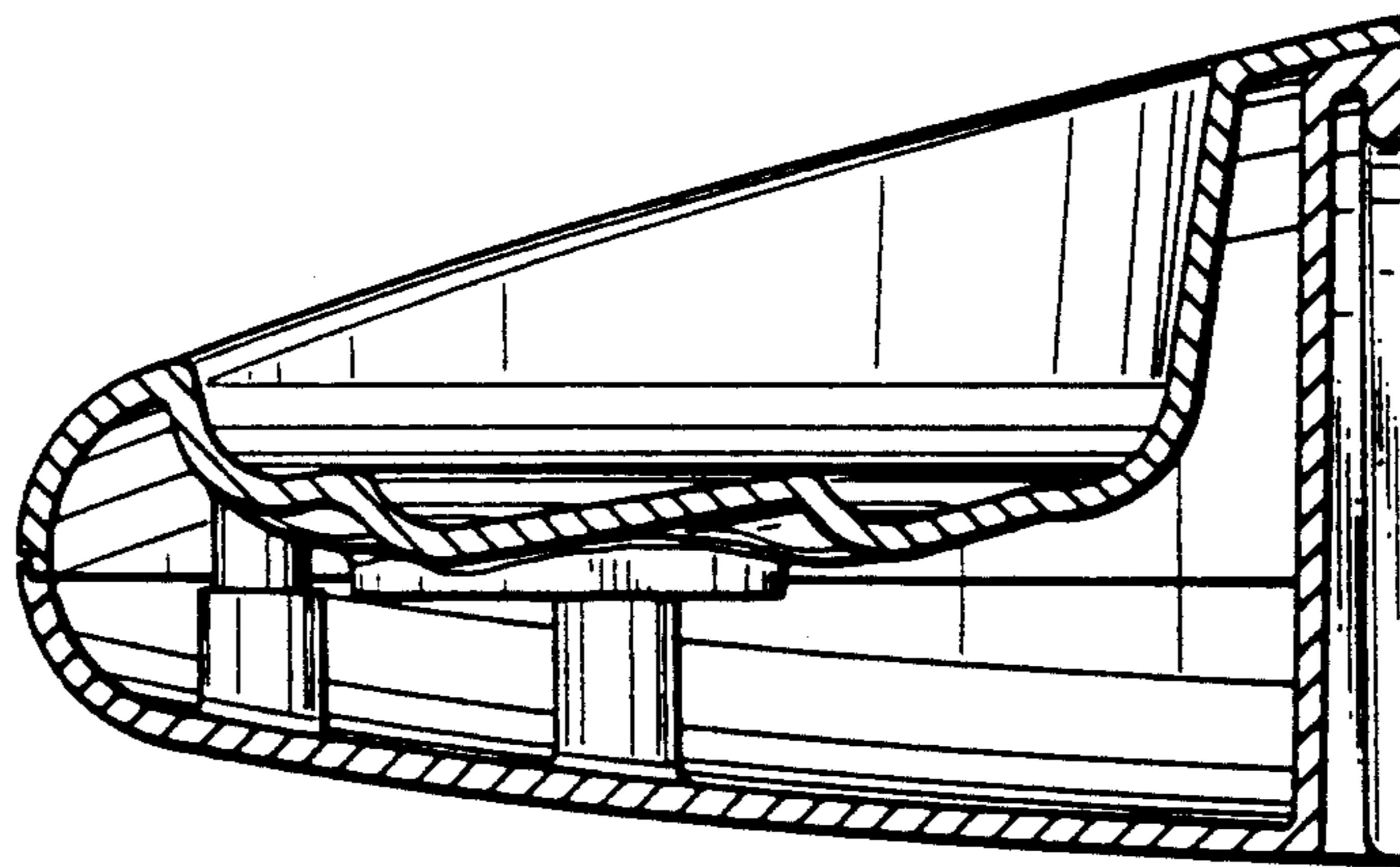


FIG. 8