



US00D332539S

# United States Patent [19]

[11] Patent Number: **Des. 332,539**

Loznikov

[45] Date of Patent: **\*\* Jan. 19, 1993**

[54] PEDESTAL

[76] Inventor: **Mikhail Loznikov**, 2007 Balboa St., San Francisco, Calif. 94121

[\*\*] Term: **14 Years**

[21] Appl. No.: **555,996**

[22] Filed: **Jul. 20, 1990**

[52] U.S. Cl. .... **D6/495; D6/482; D6/486**

[58] Field of Search ..... **D6/480, 482, 484, 486-488, D6/495-499**

[56] **References Cited**

**U.S. PATENT DOCUMENTS**

- D. 287,679 1/1987 Evans ..... D6/486 X
- D. 287,796 1/1987 Evans ..... D6/487
- D. 292,255 10/1987 Winzeler, III ..... D6/480
- D. 295,933 5/1988 Colby ..... D6/480 X

**OTHER PUBLICATIONS**

Carson's—table in center.

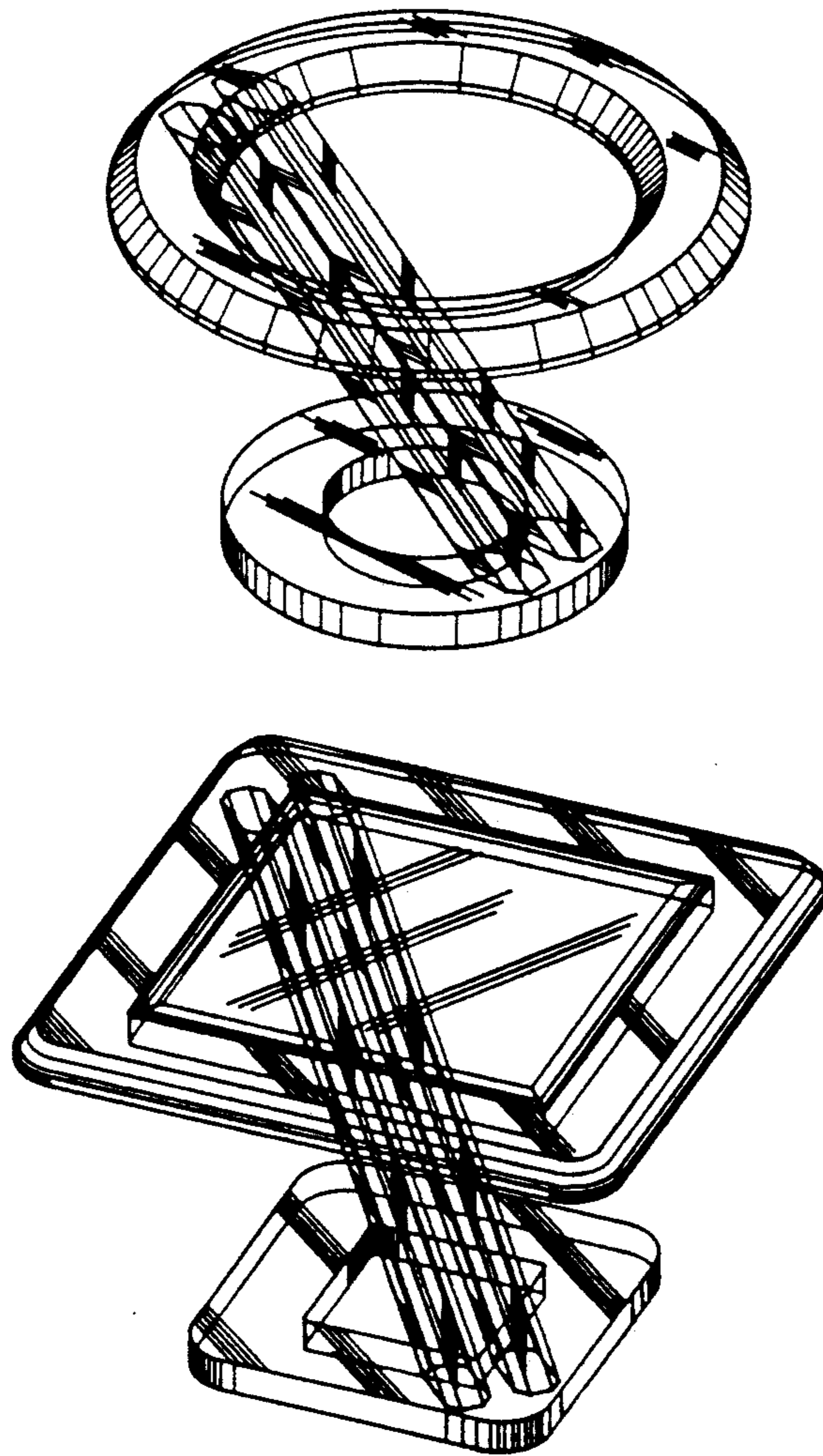
*Primary Examiner*—Nelson C. Holtje  
*Assistant Examiner*—J. E. Seeger  
*Attorney, Agent, or Firm*—Phillips, Moore, Lempio & Finley

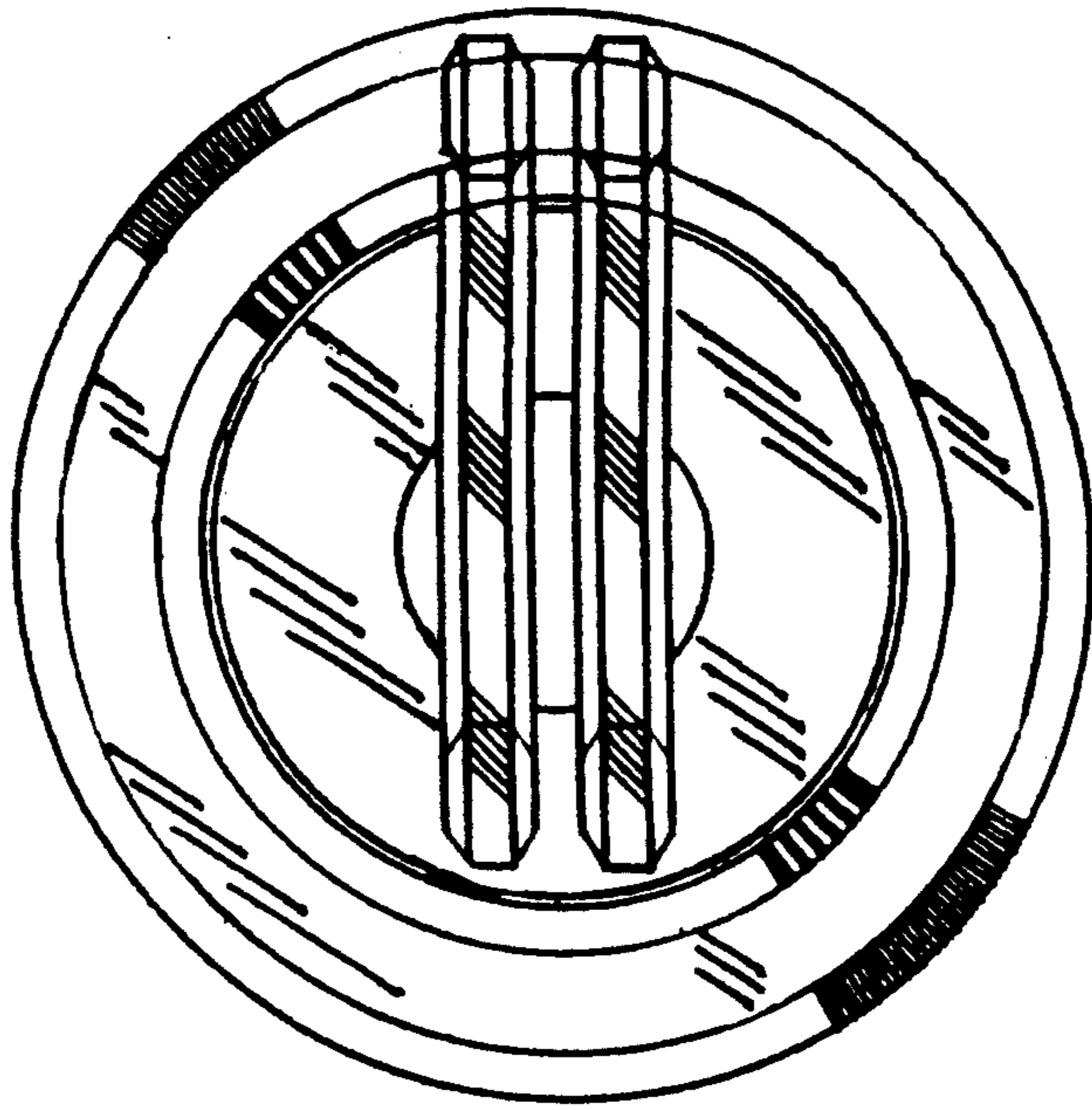
[57] **CLAIM**

The ornamental design for a pedestal, as shown and described.

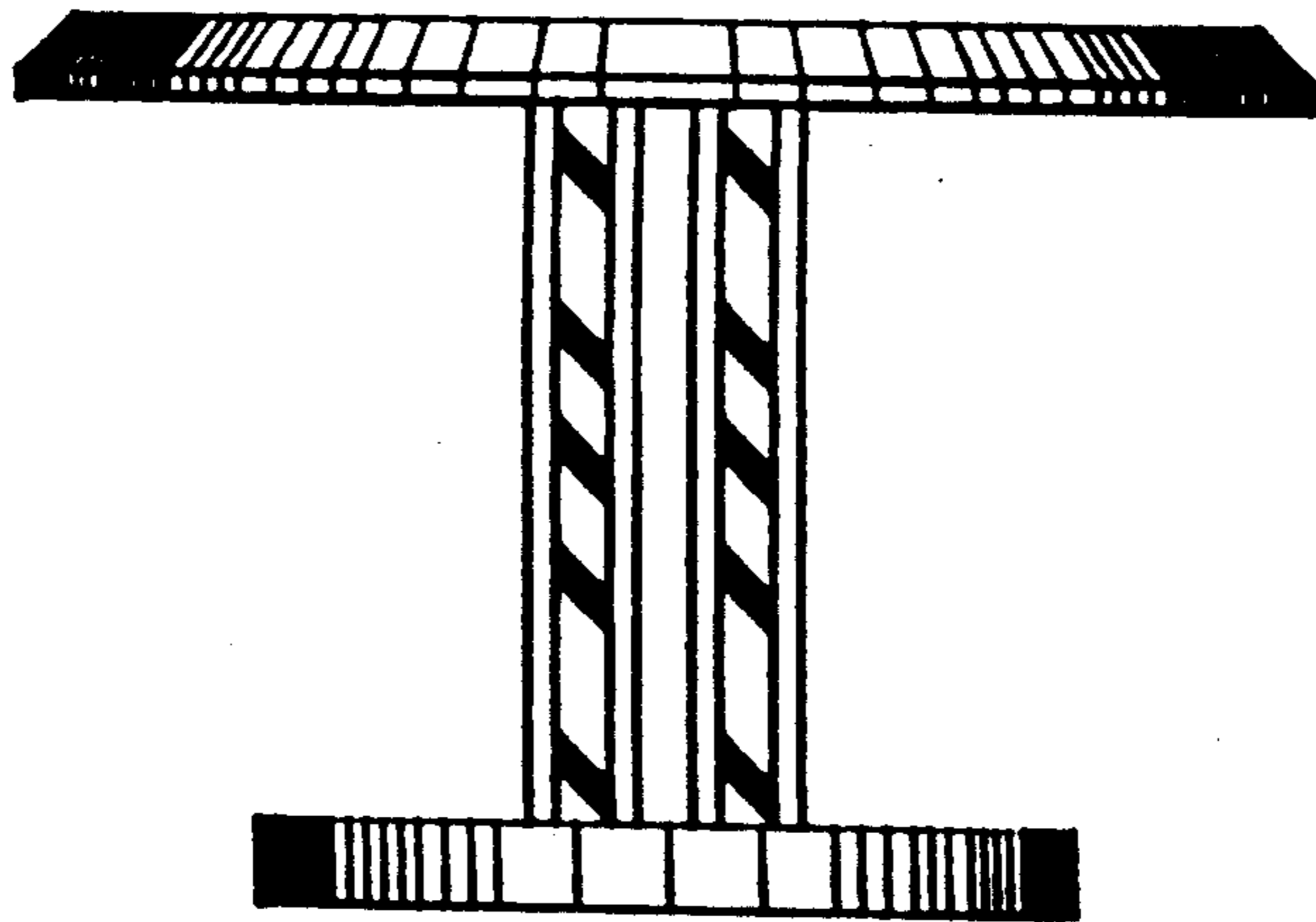
**DESCRIPTION**

FIG. 1 is a top plan view of a pedestal, showing my new design;  
 FIG. 2 is a front elevational view thereof;  
 FIG. 3 is a side elevational view, the opposite side being a mirror image thereof;  
 FIG. 4 is a perspective view thereof;  
 FIG. 5 is a top plan view of an alternate embodiment of my new design;  
 FIG. 6 is a front elevational view thereof;  
 FIG. 7 is a side elevational view, the opposite side being a mirror image thereof; and,  
 FIG. 8 is a perspective view thereof.





*FIG. 1*



*FIG. 2*

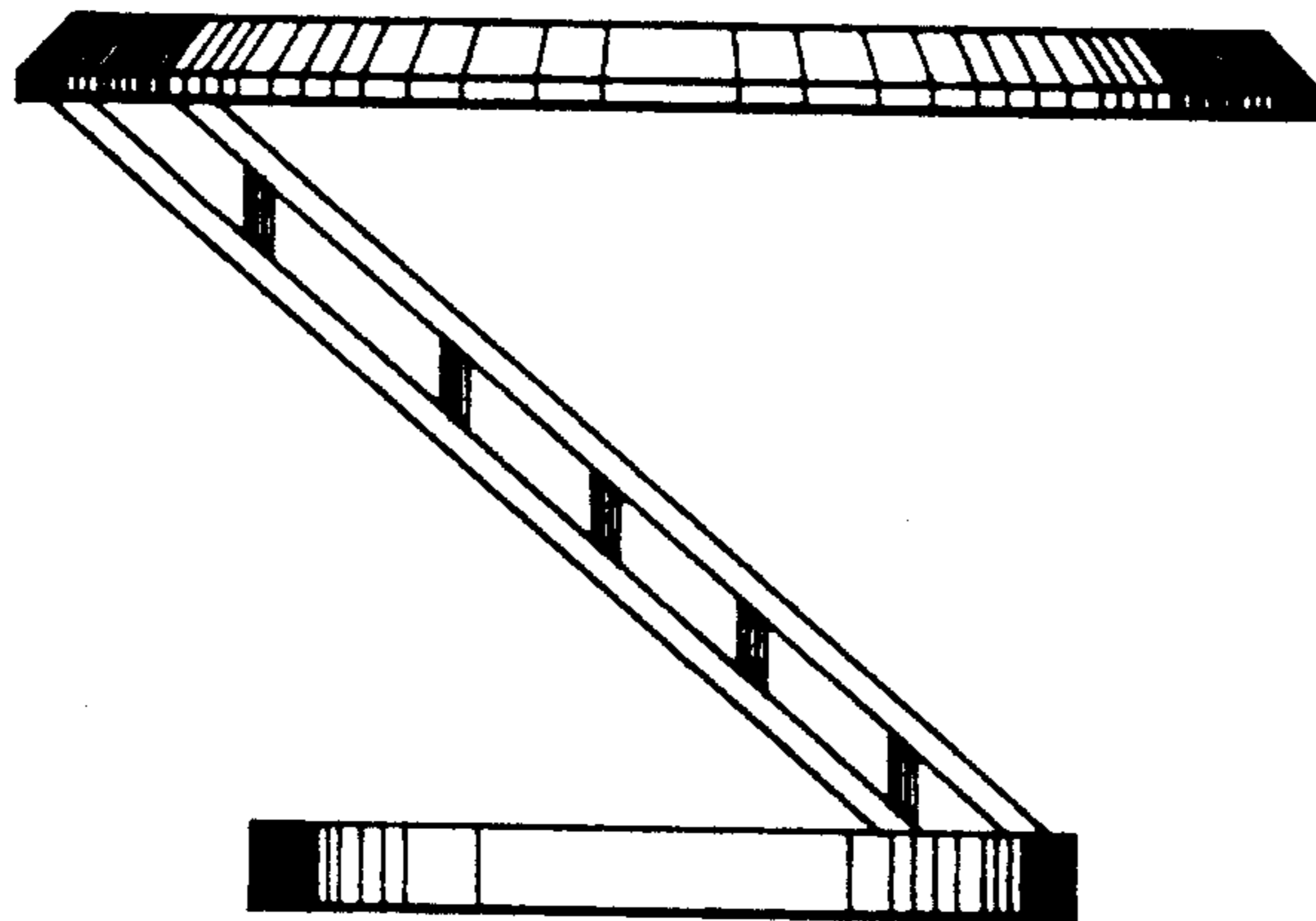


FIG. 3

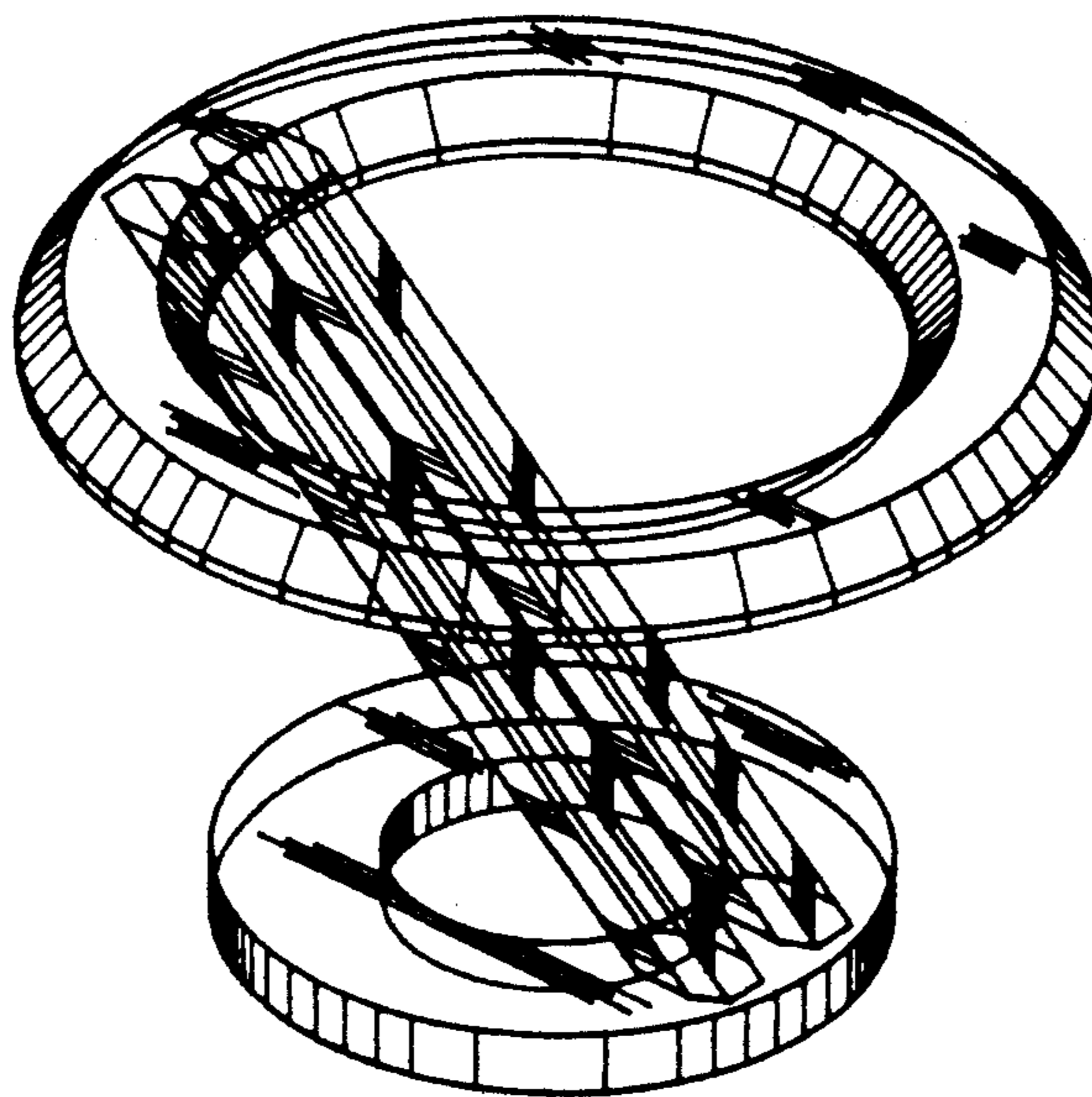
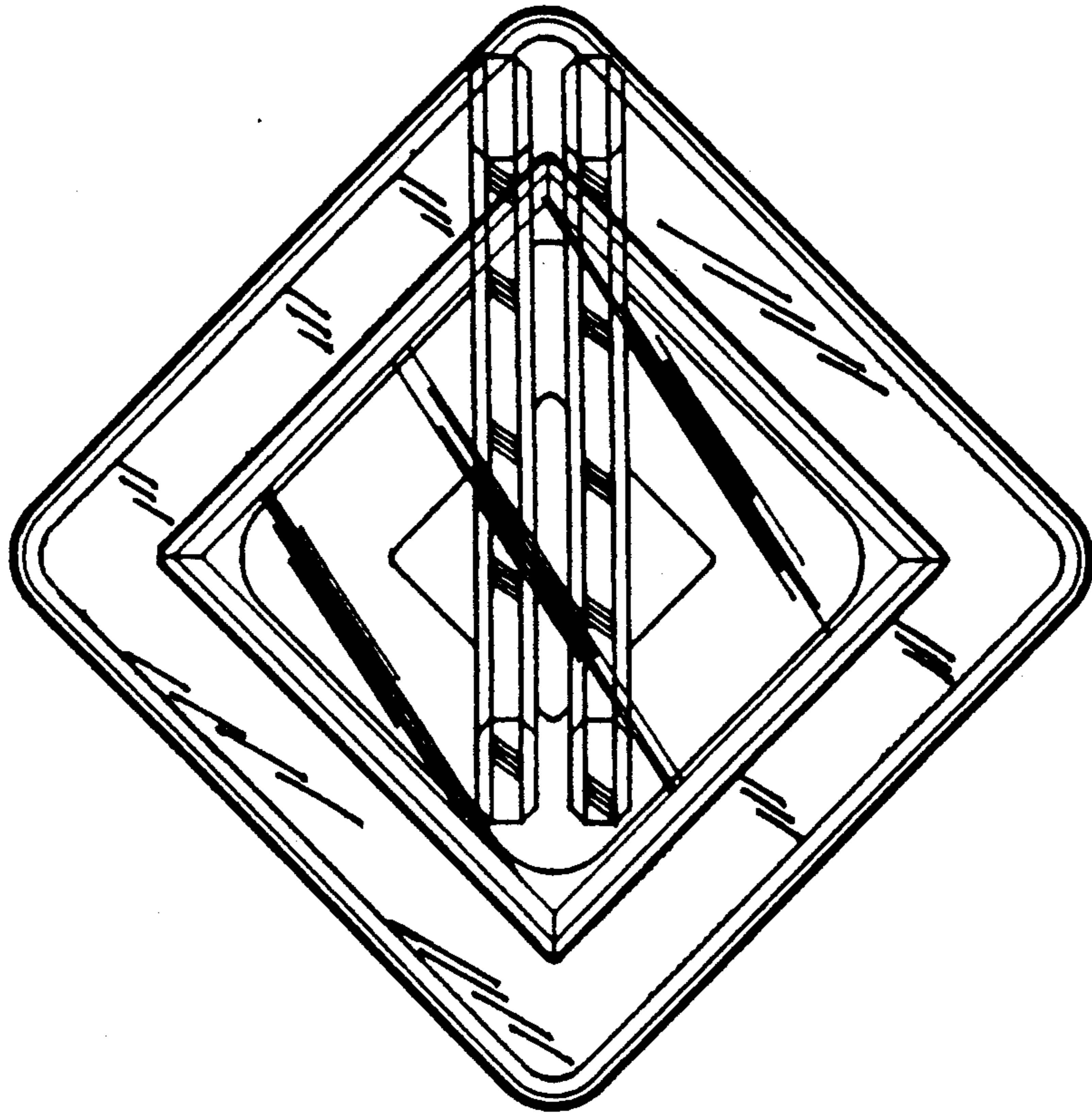
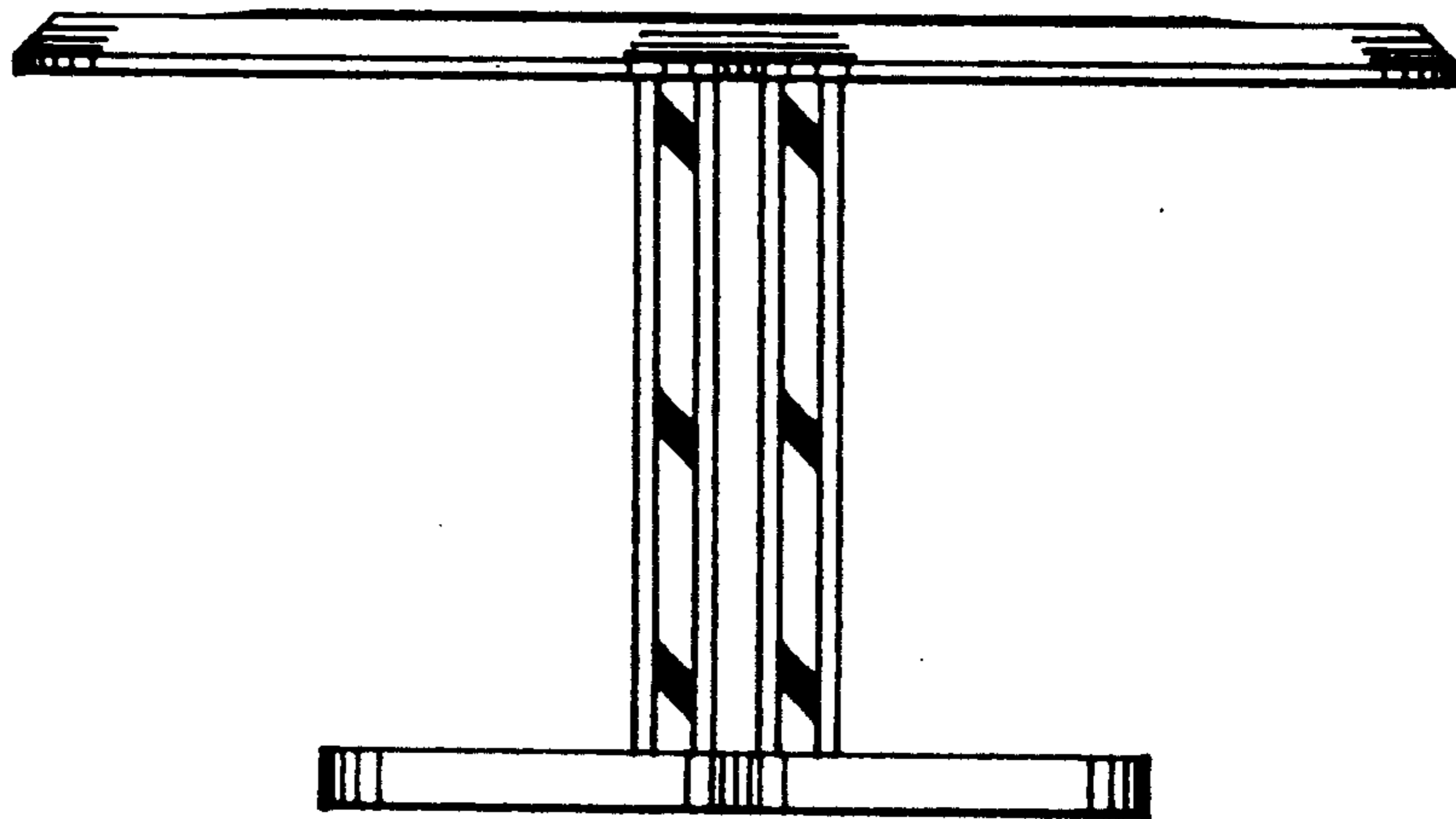


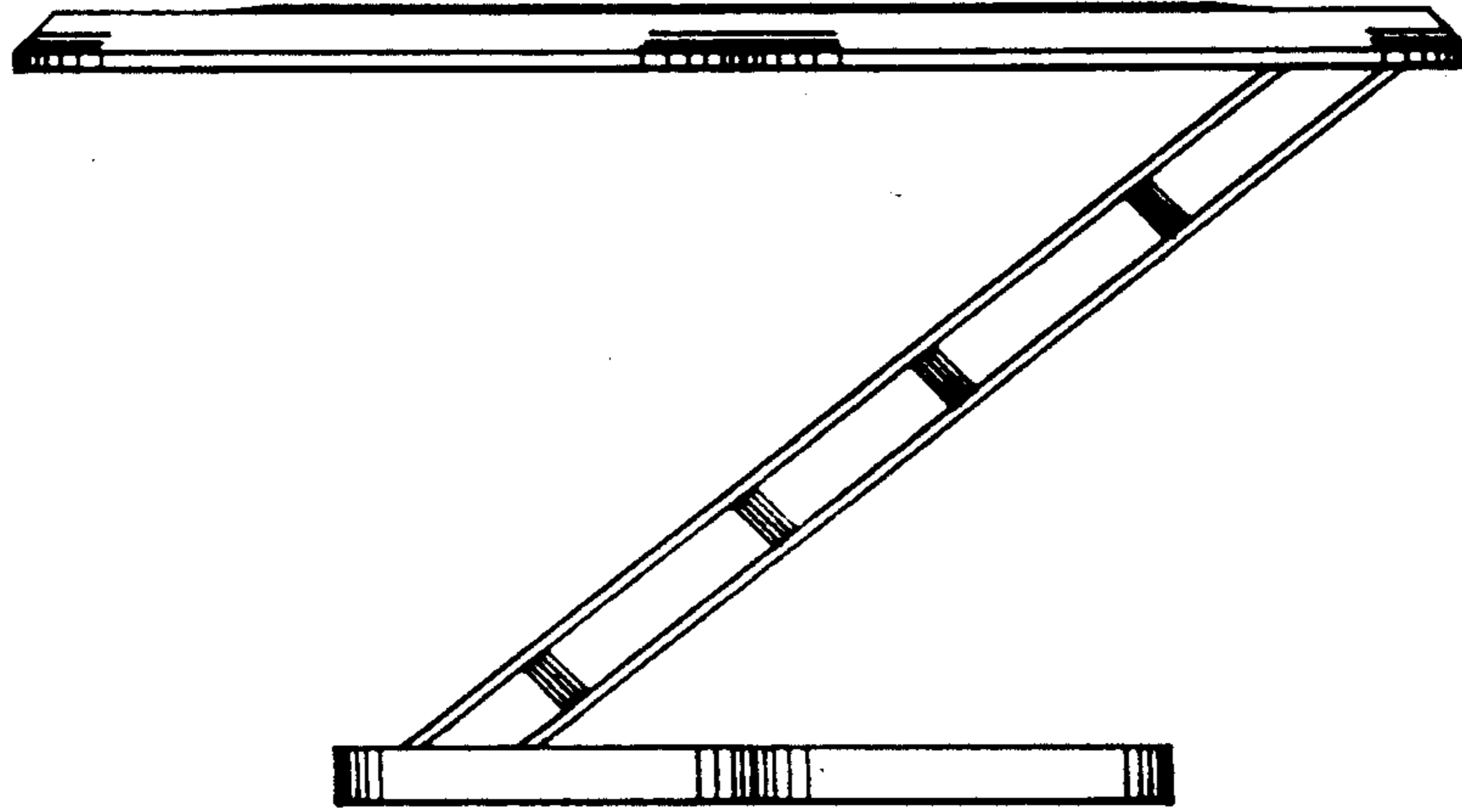
FIG. 4



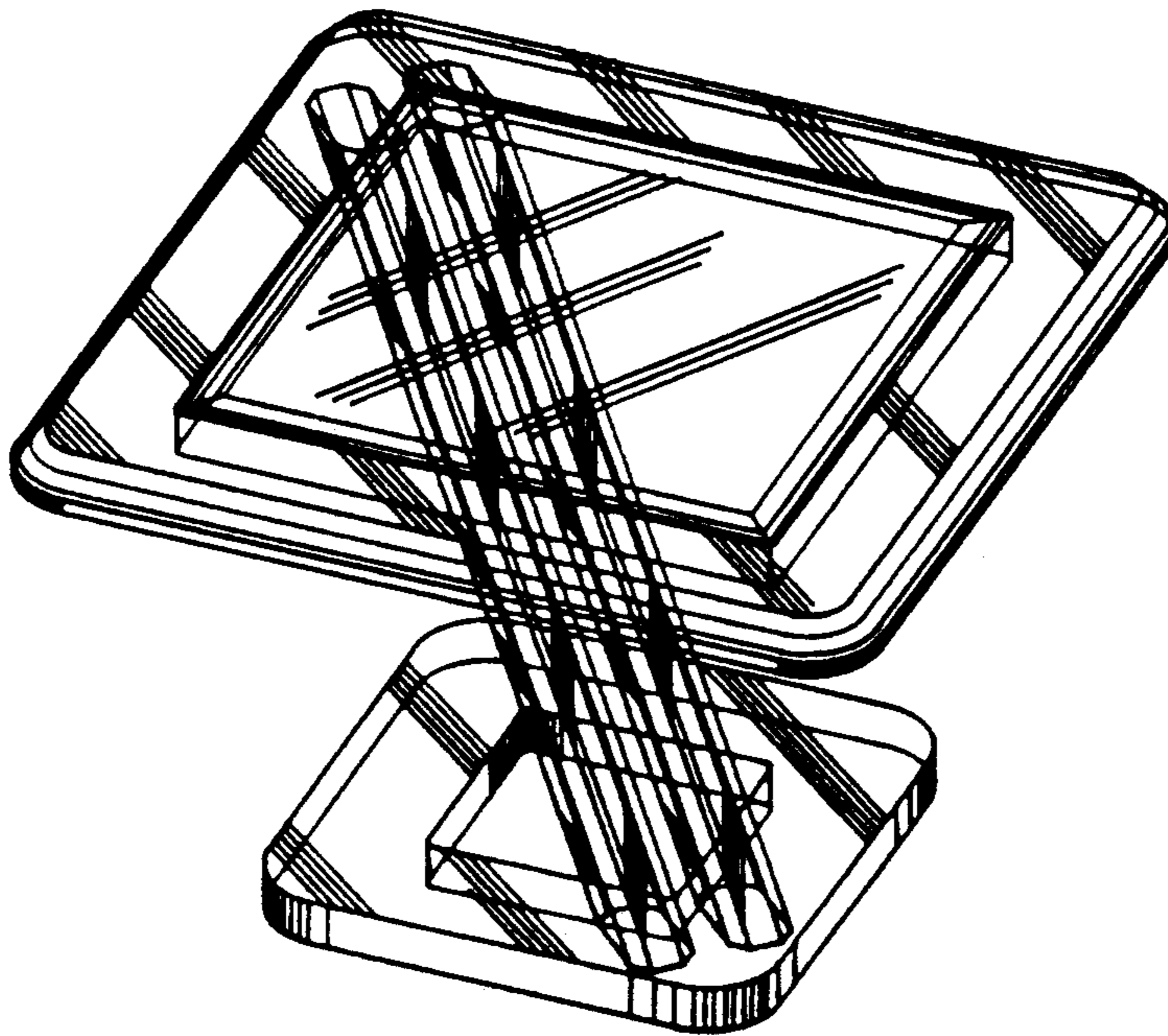
*FIG. 5*



*FIG. 6*



*FIG. 7*



*FIG. 8*