



US00D332536S

# United States Patent [19]

Hosoe

[11] Patent Number: **Des. 332,536**

[45] Date of Patent: **\*\* Jan. 19, 1993**

- [54] **TABLE**
- [75] Inventor: **Isao Hosoe**, Milan, Italy
- [73] Assignee: **501 Itoki Co., Ltd.**, Osaka, Japan
- [\*\*] Term: **14 Years**
- [21] Appl. No.: **631,791**
- [22] Filed: **Dec. 21, 1990**

[30] **Foreign Application Priority Data**

- Aug. 29, 1990 [JP] Japan ..... 2-28731
- [52] U.S. Cl. .... **D6/482; D6/487; D6/429**
- [58] Field of Search ..... **D6/428, 429, 480, 482, D6/483, 487, 489, 495, 499**

[56] **References Cited**

**U.S. PATENT DOCUMENTS**

D. 116,551	9/1939	Cumfer .....	D6/483
D. 132,876	6/1942	Cooper .....	D6/483
D. 164,295	8/1951	Gierlich .....	D6/429
D. 200,712	3/1965	Jakobsen .....	D6/487 X
D. 202,046	8/1965	Zierhut .....	D6/429
D. 207,958	6/1967	Jakobsen .....	D6/487
D. 248,137	6/1978	Petersen .....	D6/489
D. 291,851	9/1987	Salvato .....	D6/482

- 3,074,771 1/1963 Wilson ..... D6/482 X
- 3,217,672 11/1965 Haughey ..... D6/482 X

**OTHER PUBLICATIONS**

*Domus*—Sep. 1988, Table at top left.  
*Primary Examiner*—Nelson C. Holtje  
*Assistant Examiner*—J. E. Seeger  
*Attorney, Agent, or Firm*—Rogers & Killeen

[57] **CLAIM**

The ornamental design for a table, as shown and described.

**DESCRIPTION**

FIG. 1 is a perspective view of table, showing my new design;  
 FIG. 2 is a front elevational view;  
 FIG. 3 is a right side elevational view;  
 FIG. 4 is a left side elevational view;  
 FIG. 5 is a top plan view;  
 FIG. 6 is a bottom plan view;  
 FIG. 7 is a cross-sectional view, taken along line VII-VII in FIG. 4;  
 FIG. 8 is a right side elevational view in folded condition; and,  
 FIG. 9 is a left side elevational view in folded condition.

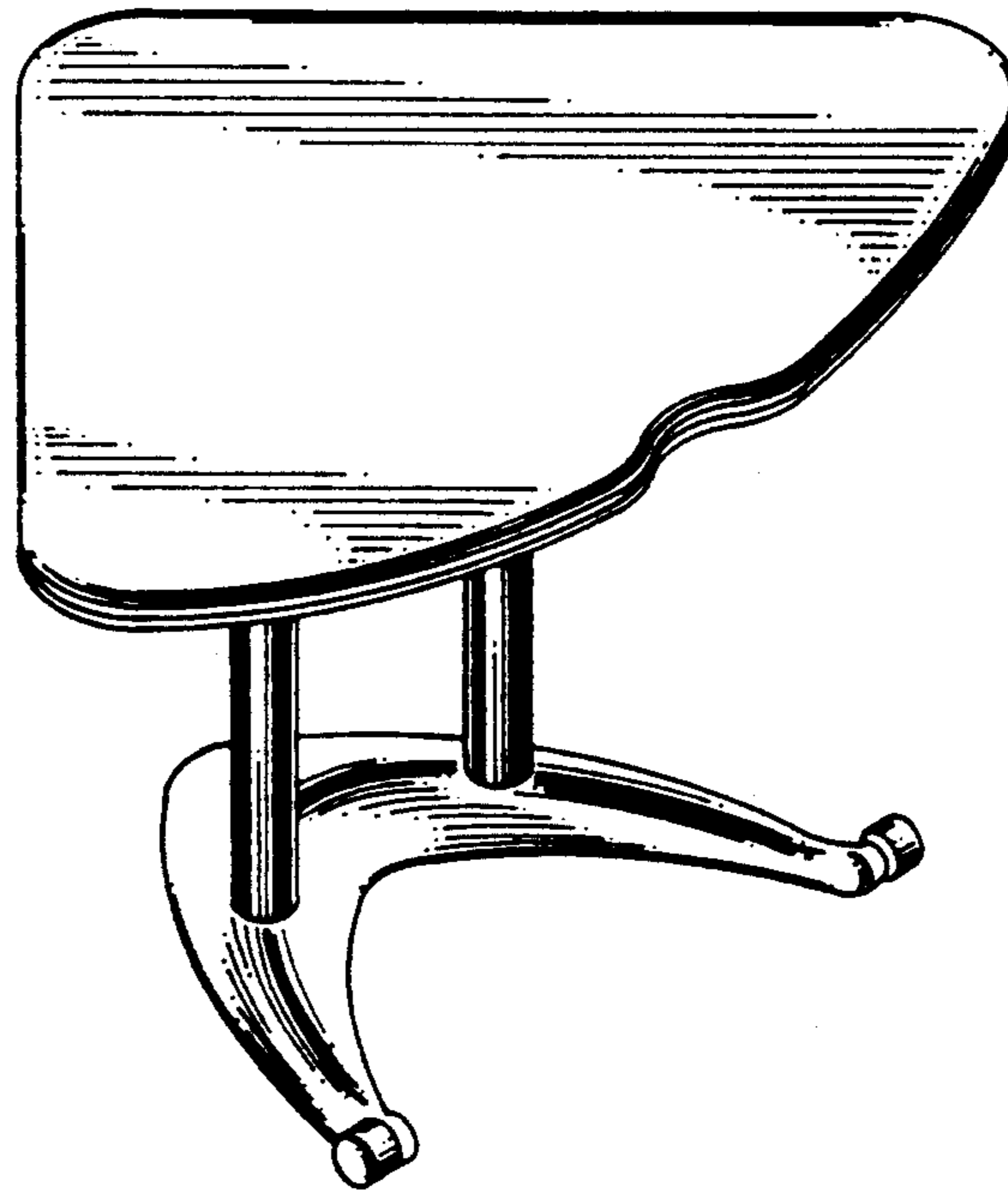


FIG. 1

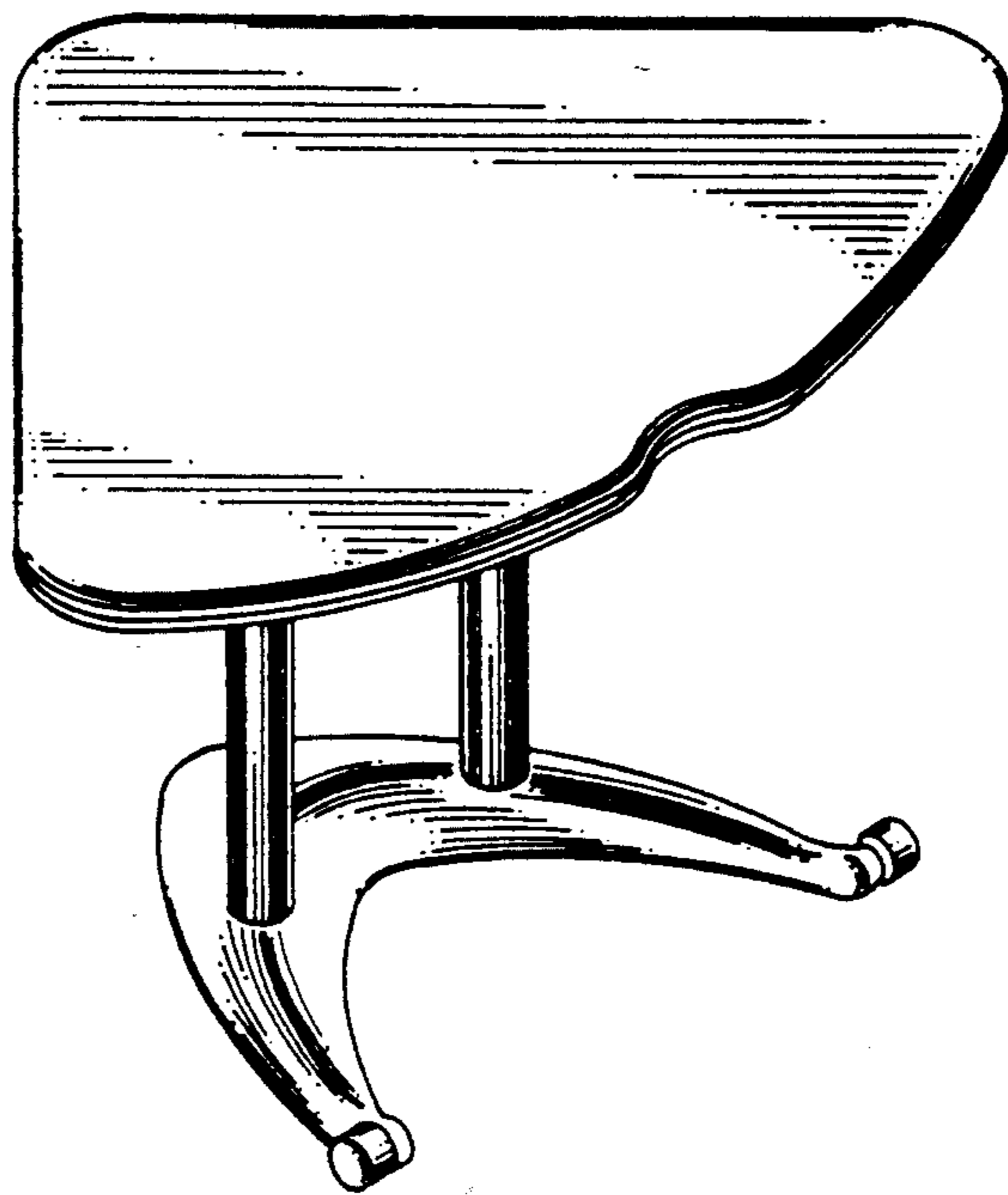


FIG. 2

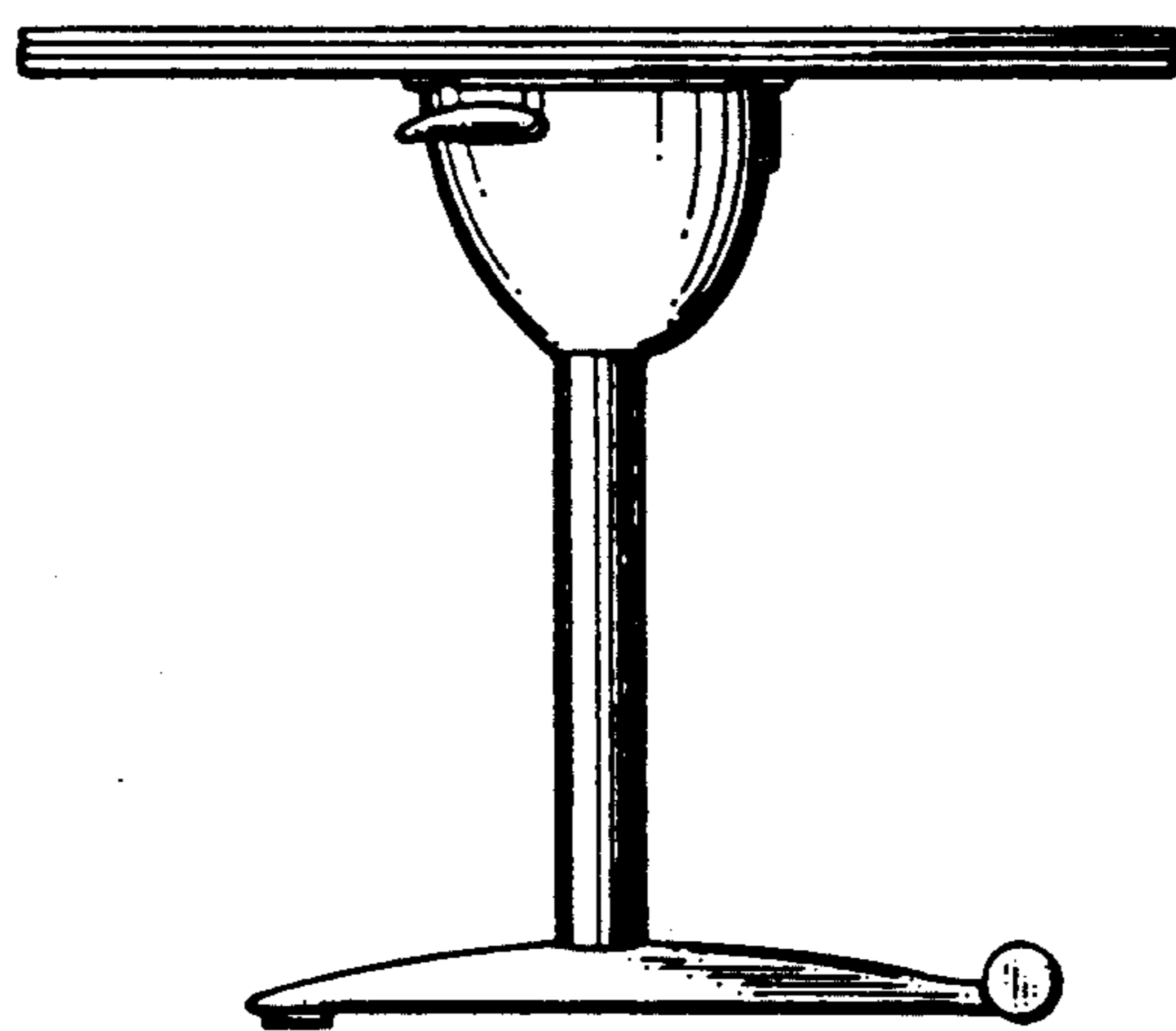


FIG. 3

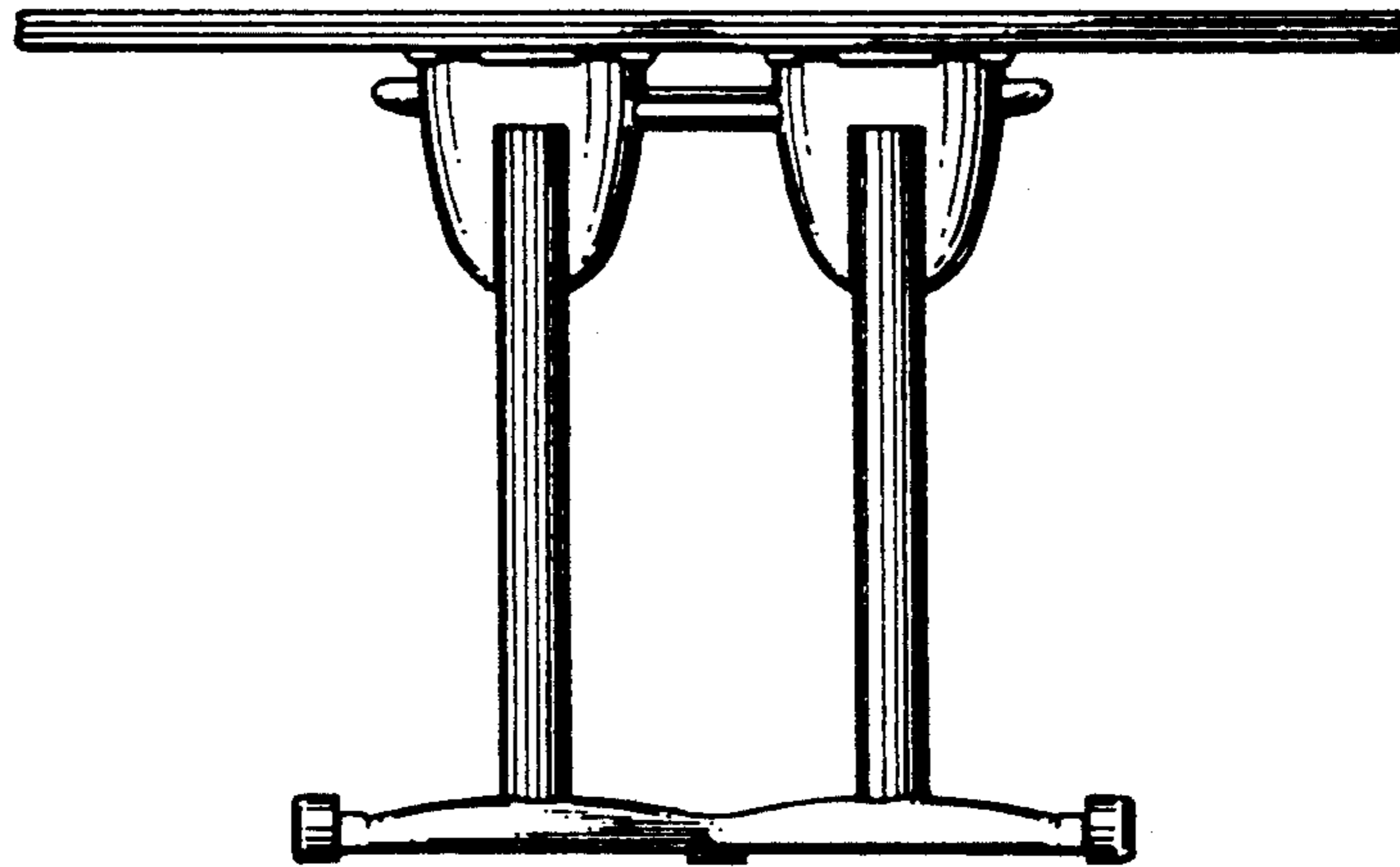


FIG. 4

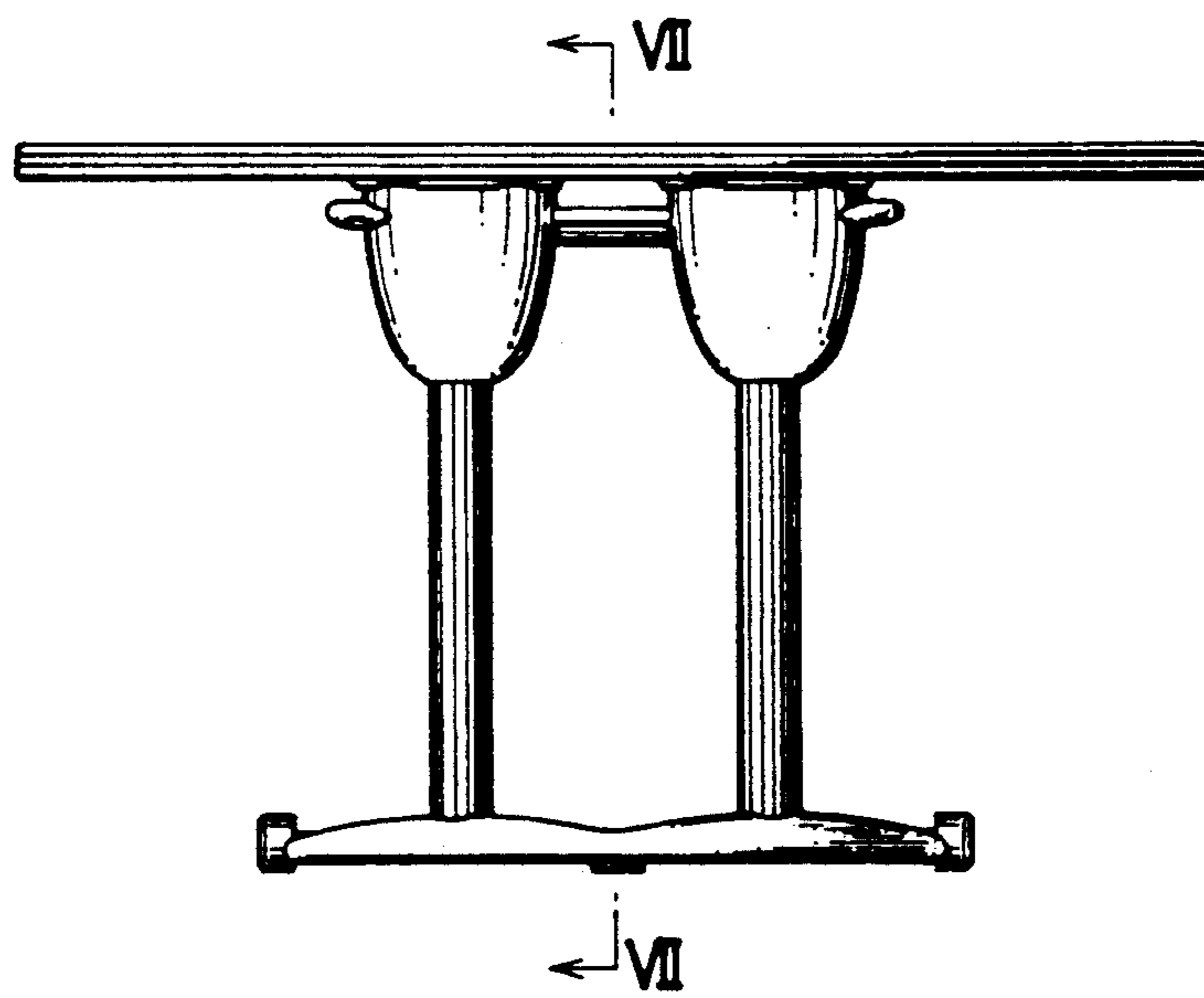


FIG. 5

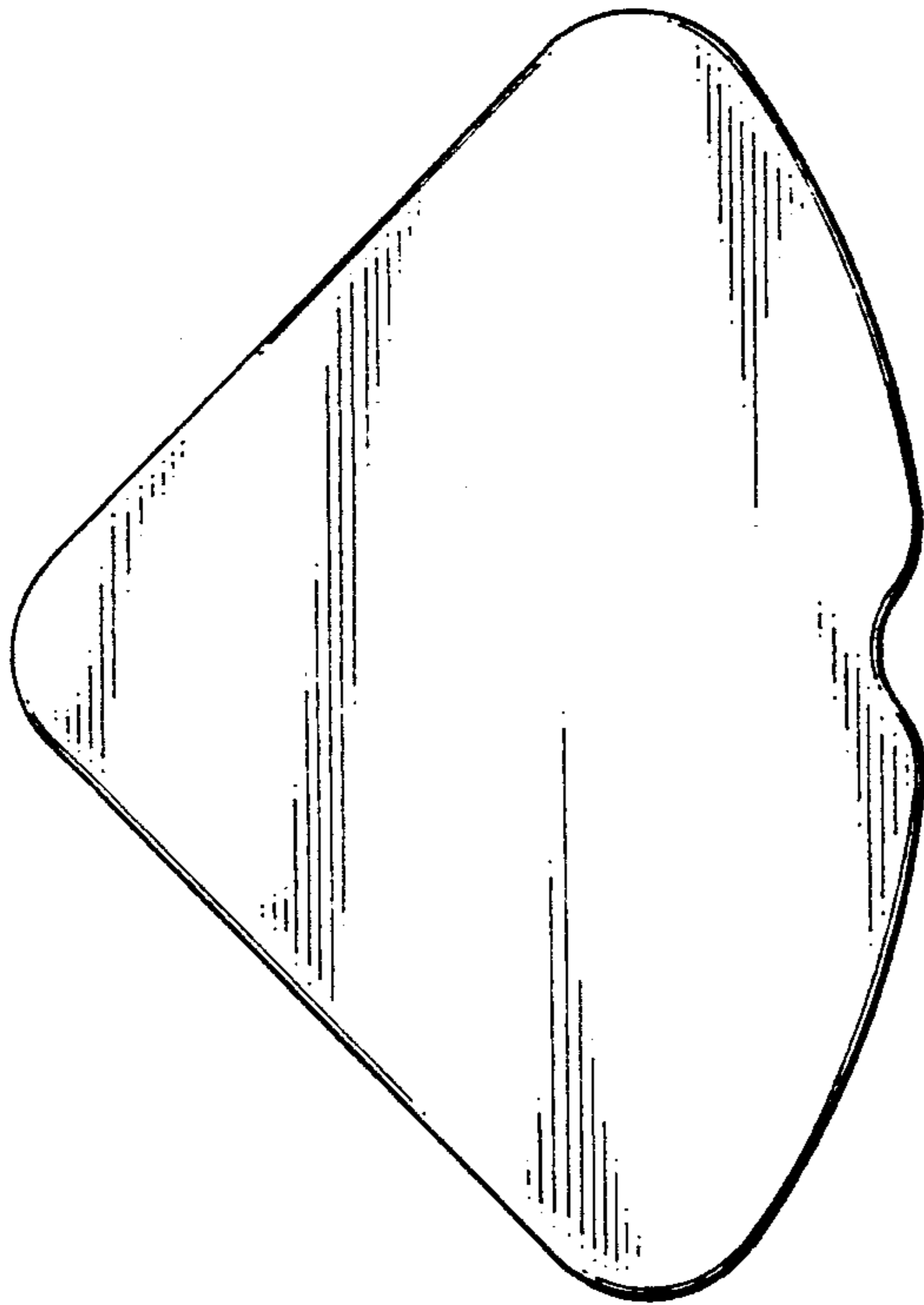


FIG. 6

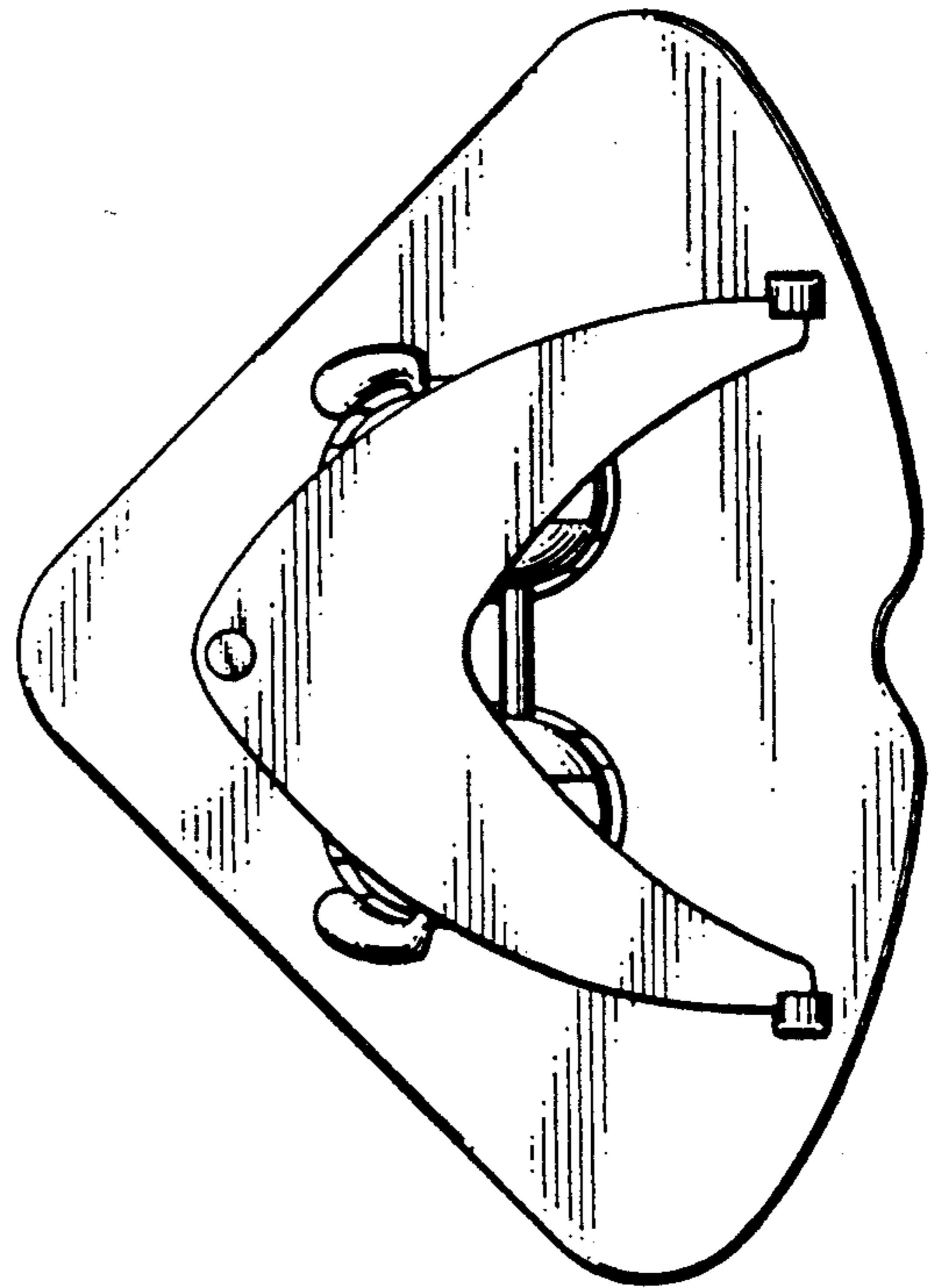


FIG. 7

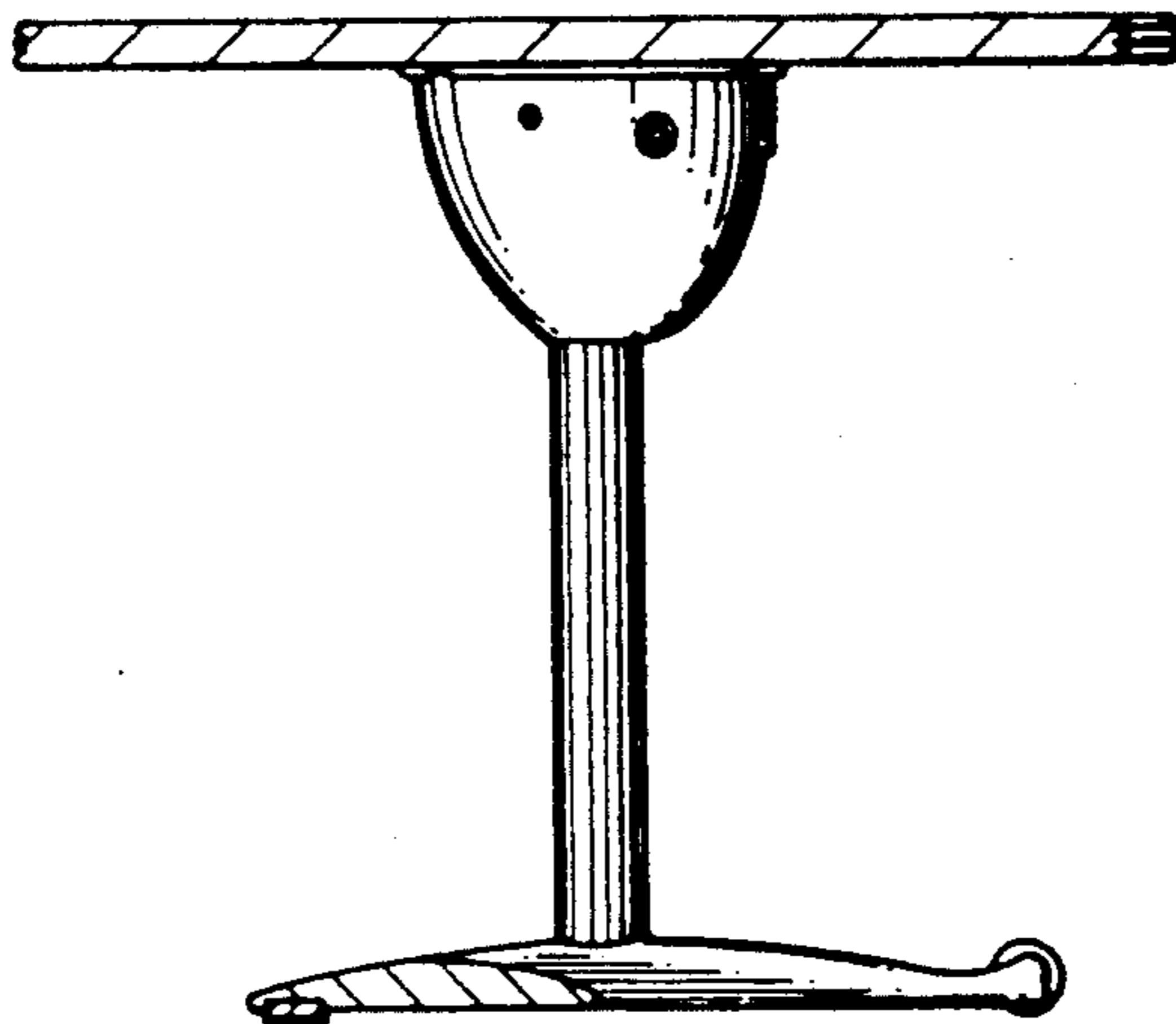


FIG. 8

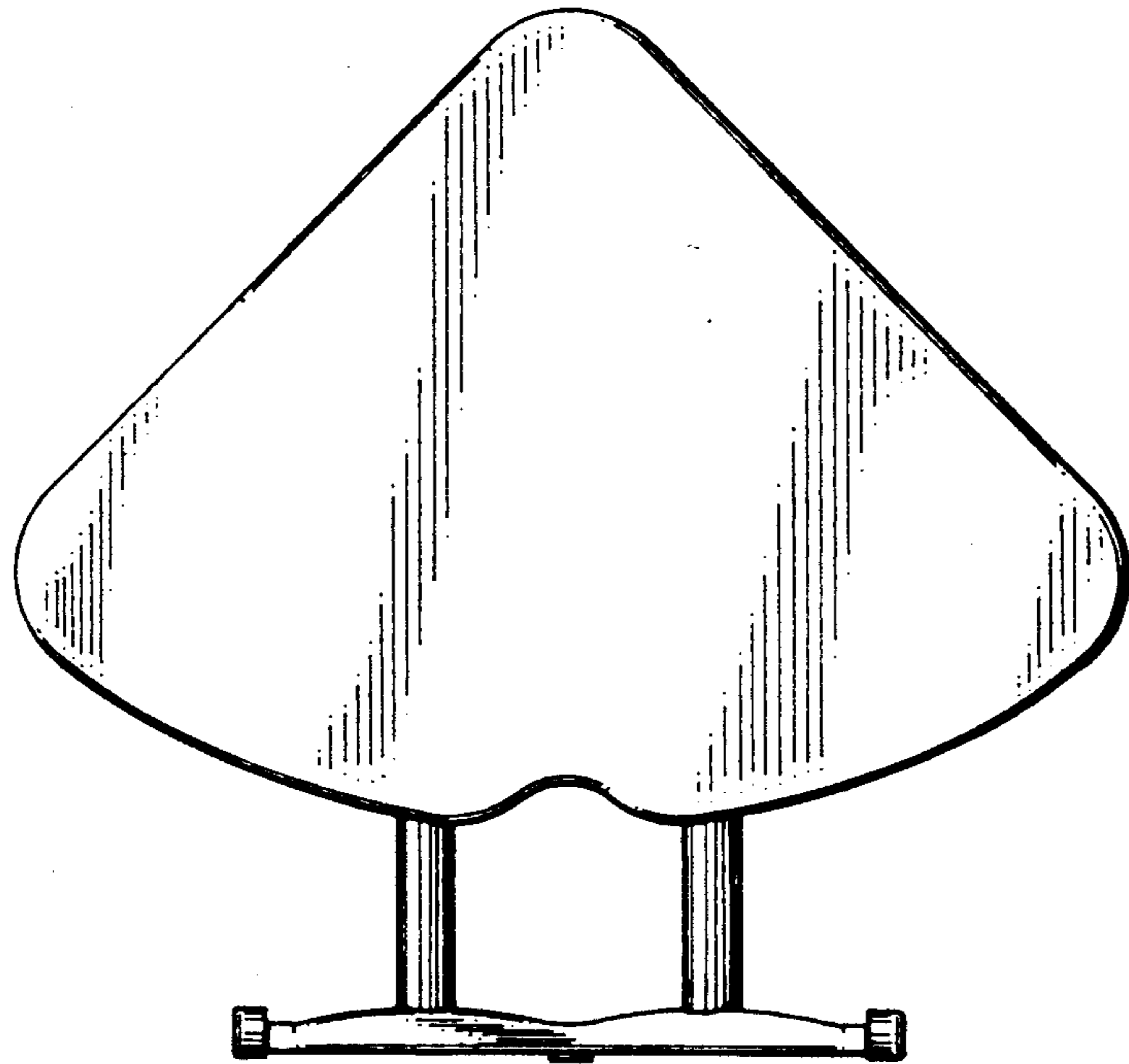


FIG. 9

