



US00D332535S

United States Patent [19]

[11] Patent Number: **Des. 332,535**

Hosoe

[45] Date of Patent: **** Jan. 19, 1993**

- [54] TABLE
- [75] Inventor: **Isao Hosoe**, Milan, Italy
- [73] Assignee: **Itoki Co., Ltd.**, Osaka, Japan
- [**] Term: **14 Years**
- [21] Appl. No.: **631,779**
- [22] Filed: **Dec. 21, 1990**
- [30] Foreign Application Priority Data
 Aug. 29, 1990 [JP] Japan 2-28734
- [52] U.S. Cl. **D6/482**; D6/487;
 D6/429
- [58] Field of Search D6/428, 429, 480, 482,
 D6/483, 487, 489, 495, 499

3,217,672 11/1965 Haughey D6/482 X

OTHER PUBLICATIONS

Domus—Sep. 1989, Westnofa table.
Primary Examiner—Nelson C. Holtje
Assistant Examiner—J. E. Seeger
Attorney, Agent, or Firm—Rogers & Killeen

CLAIM

[57] The ornamental design for a table, as shown and described.

DESCRIPTION

FIG. 1 is a perspective view of table, showing my new design;
 FIG. 2 is a front elevational view;
 FIG. 3 is a right side elevational view;
 FIG. 4 is a left side elevational view;
 FIG. 5 is a top plan view;
 FIG. 6 is a bottom plan view;
 FIG. 7 is a cross-sectional view, taken along line VII-VII in FIG. 4;
 FIG. 8 is a right side elevational view in folded condition; and,
 FIG. 9 is a left side elevational view in folded condition.

[56] References Cited

U.S. PATENT DOCUMENTS

D. 164,295	8/1951	Gierlich	D6/429
D. 165,584	1/1952	Johnson	D6/482
D. 166,360	4/1952	Shinn	D6/482
D. 207,958	6/1967	Jakobsen	D6/487
D. 248,137	6/1978	Petersen	D6/489
D. 282,775	2/1986	Floyd, Sr.	D6/480
D. 291,851	9/1987	Salvato	D6/482

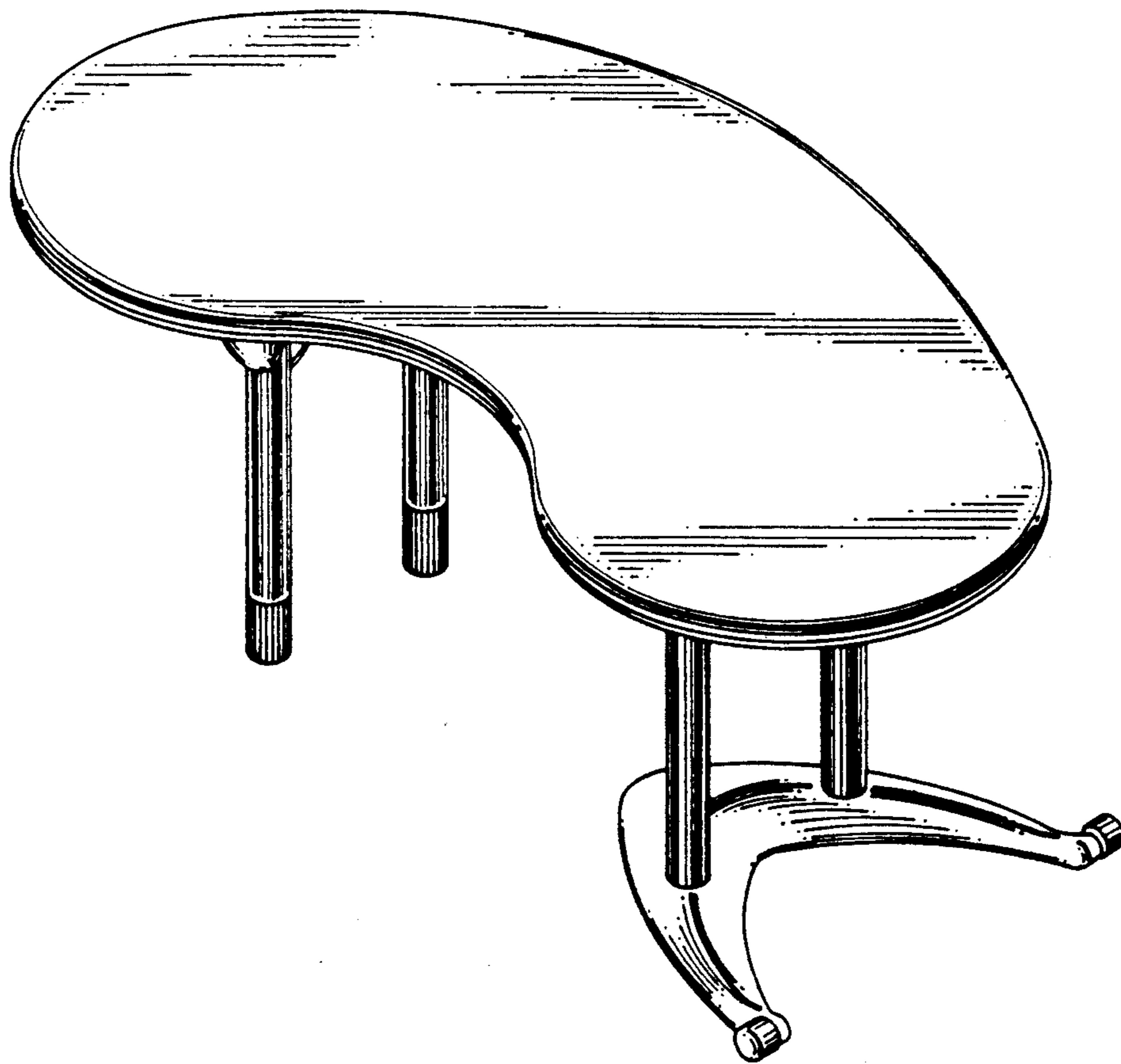


FIG. 1

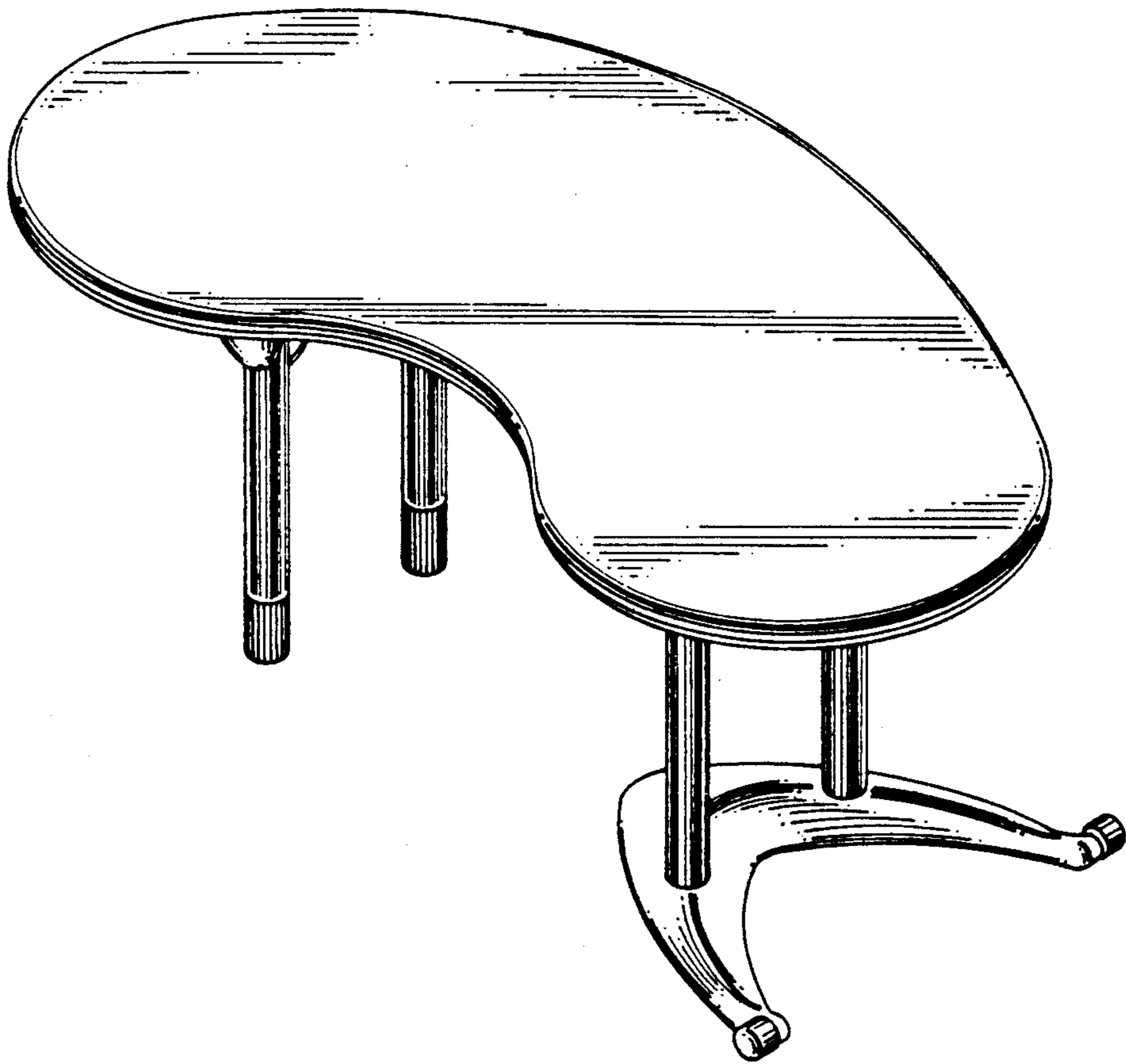


FIG. 2

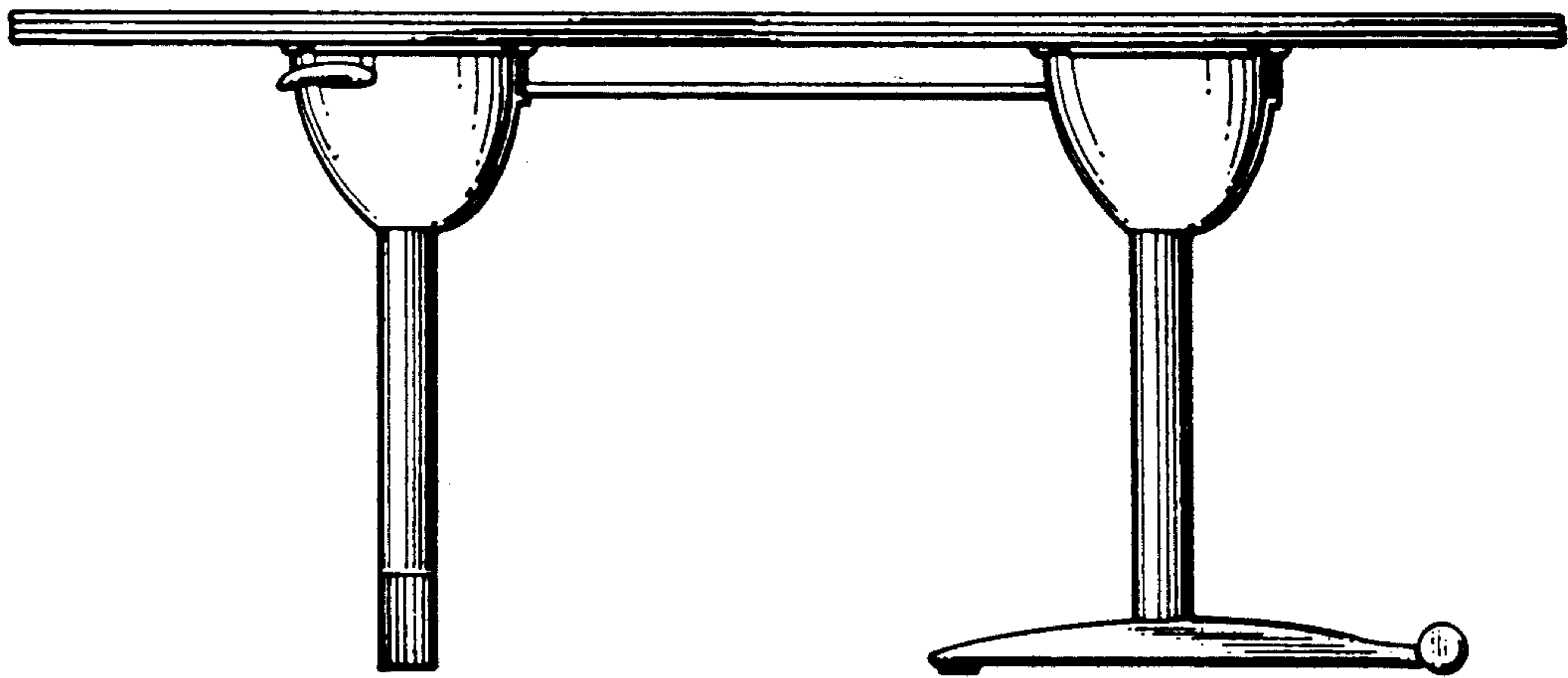


FIG. 3

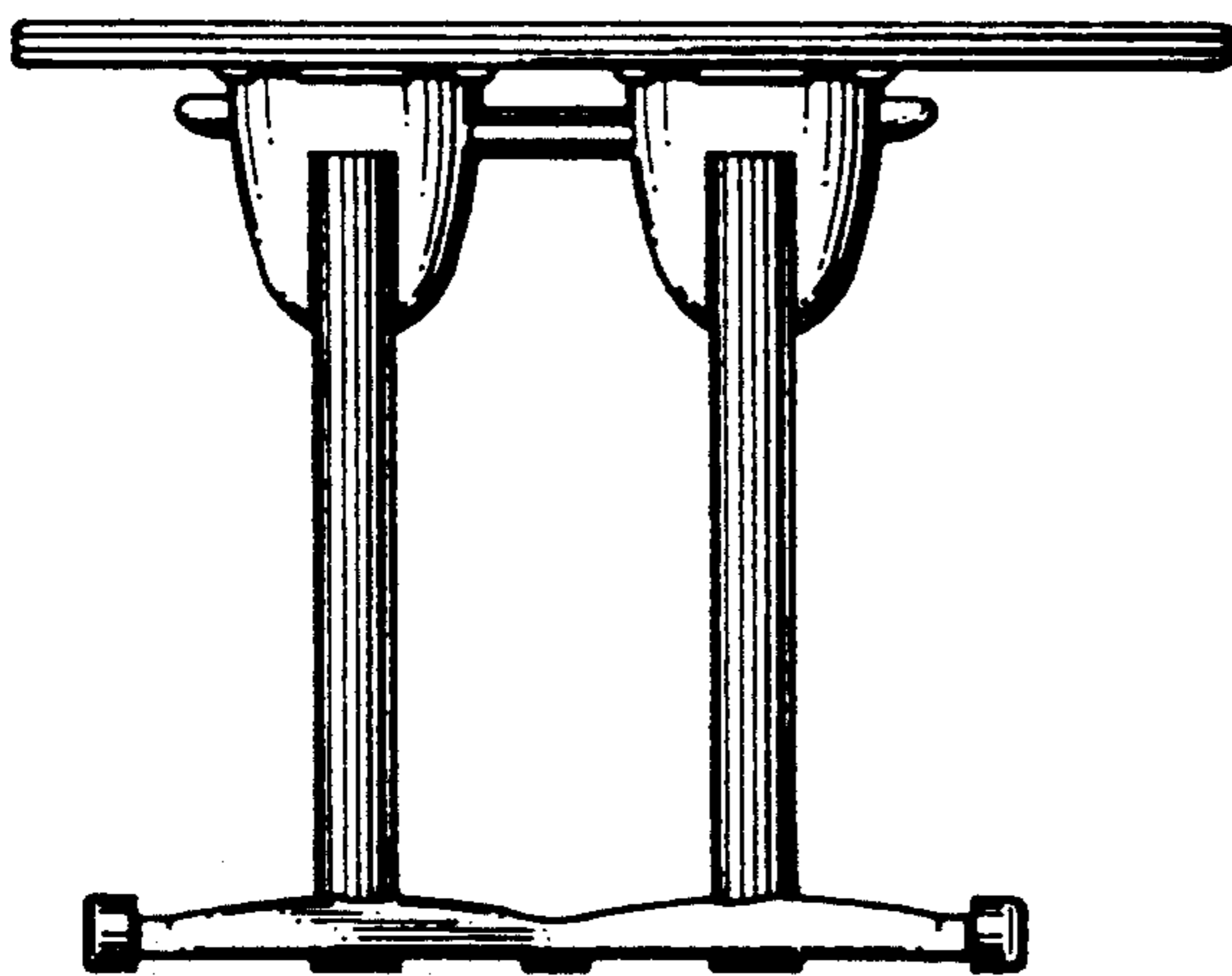


FIG. 4

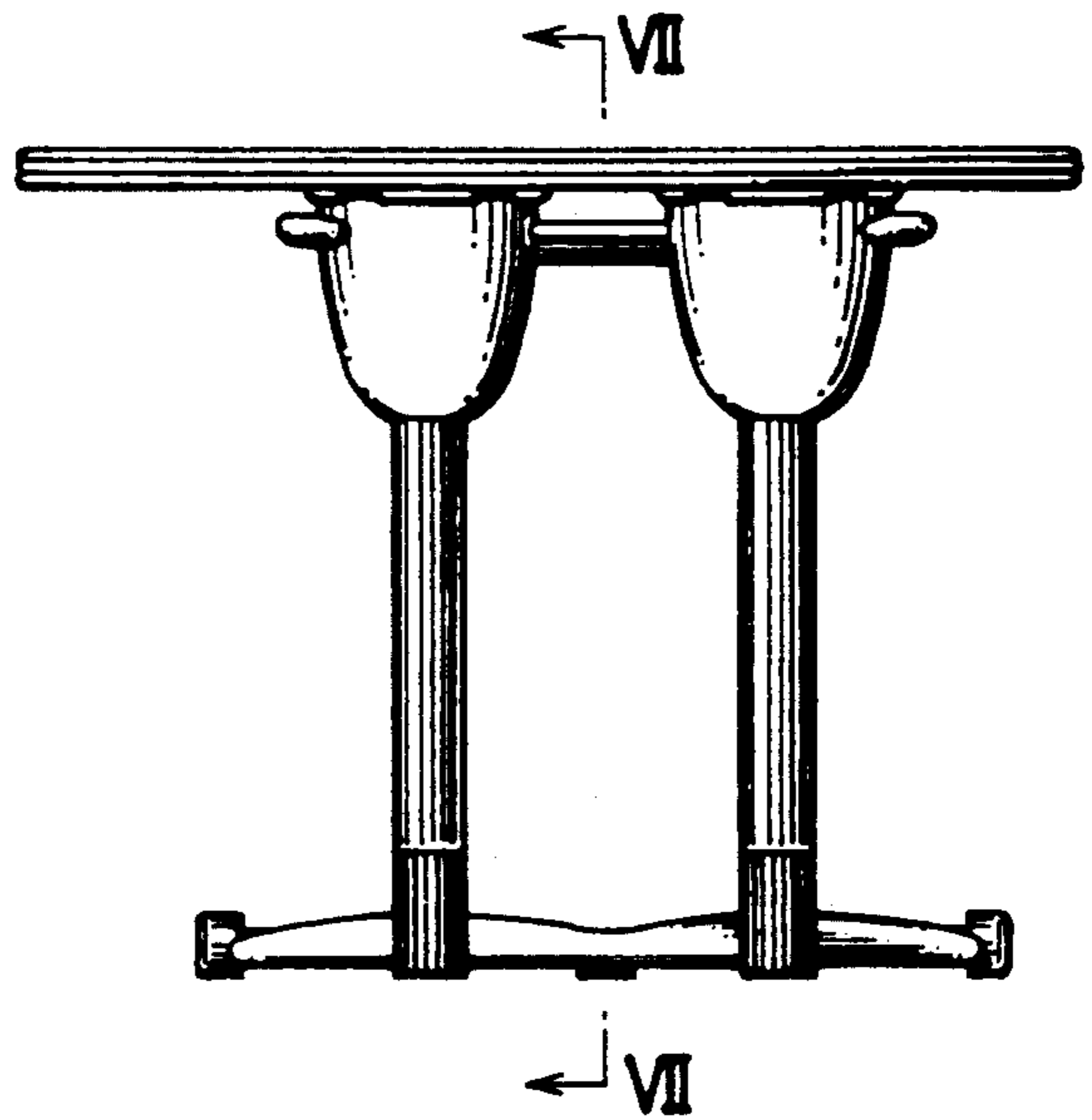


FIG. 5

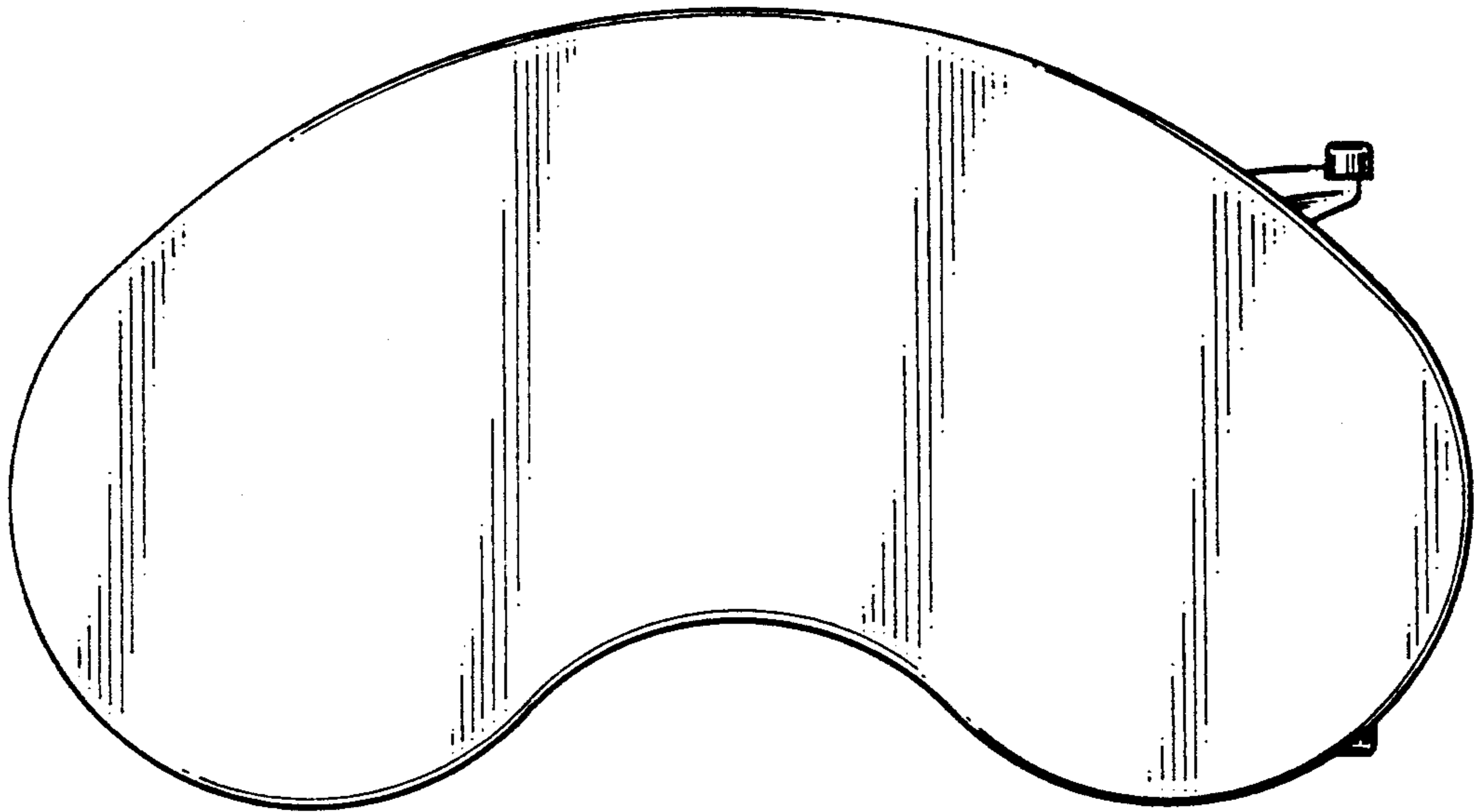


FIG. 6

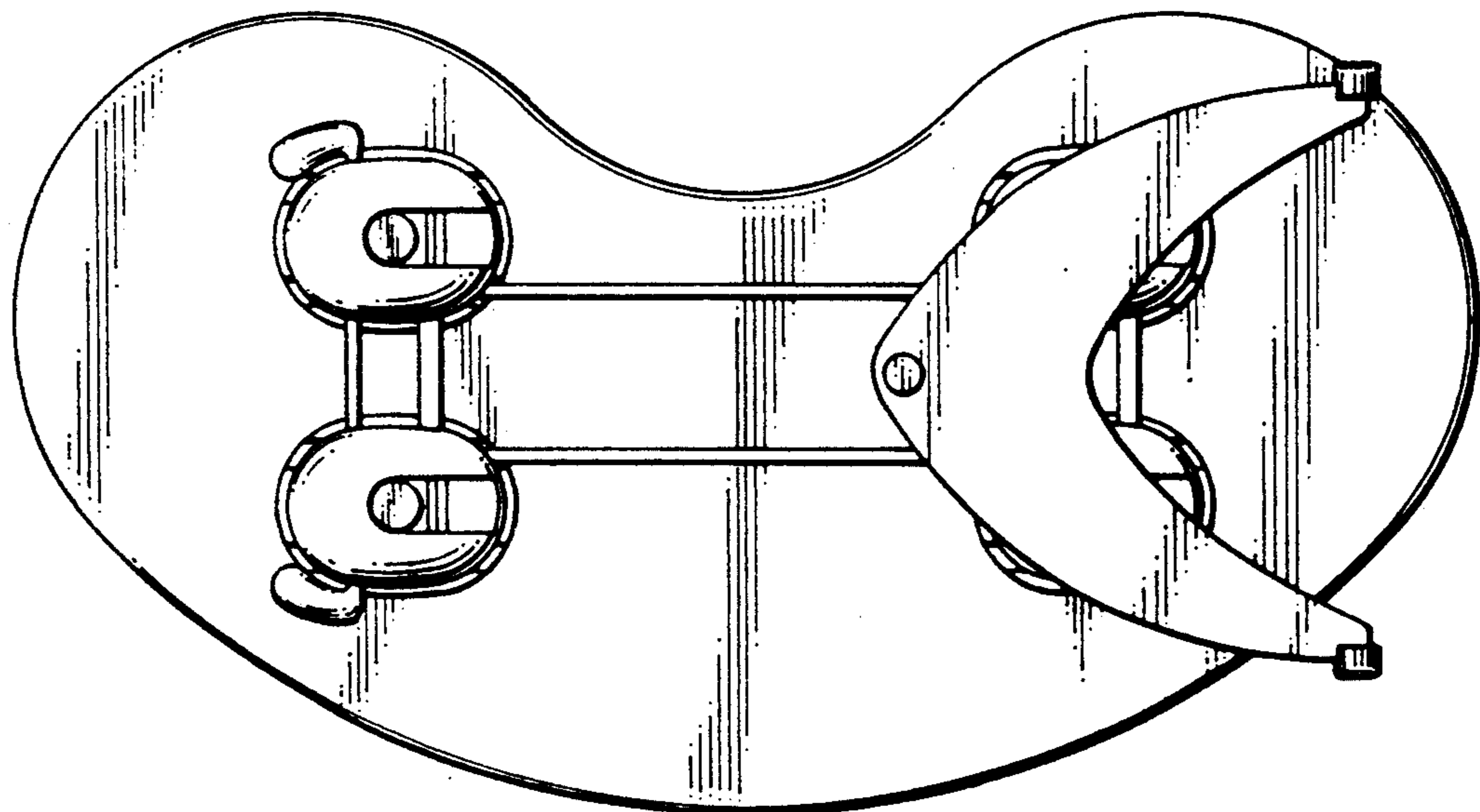


FIG. 7

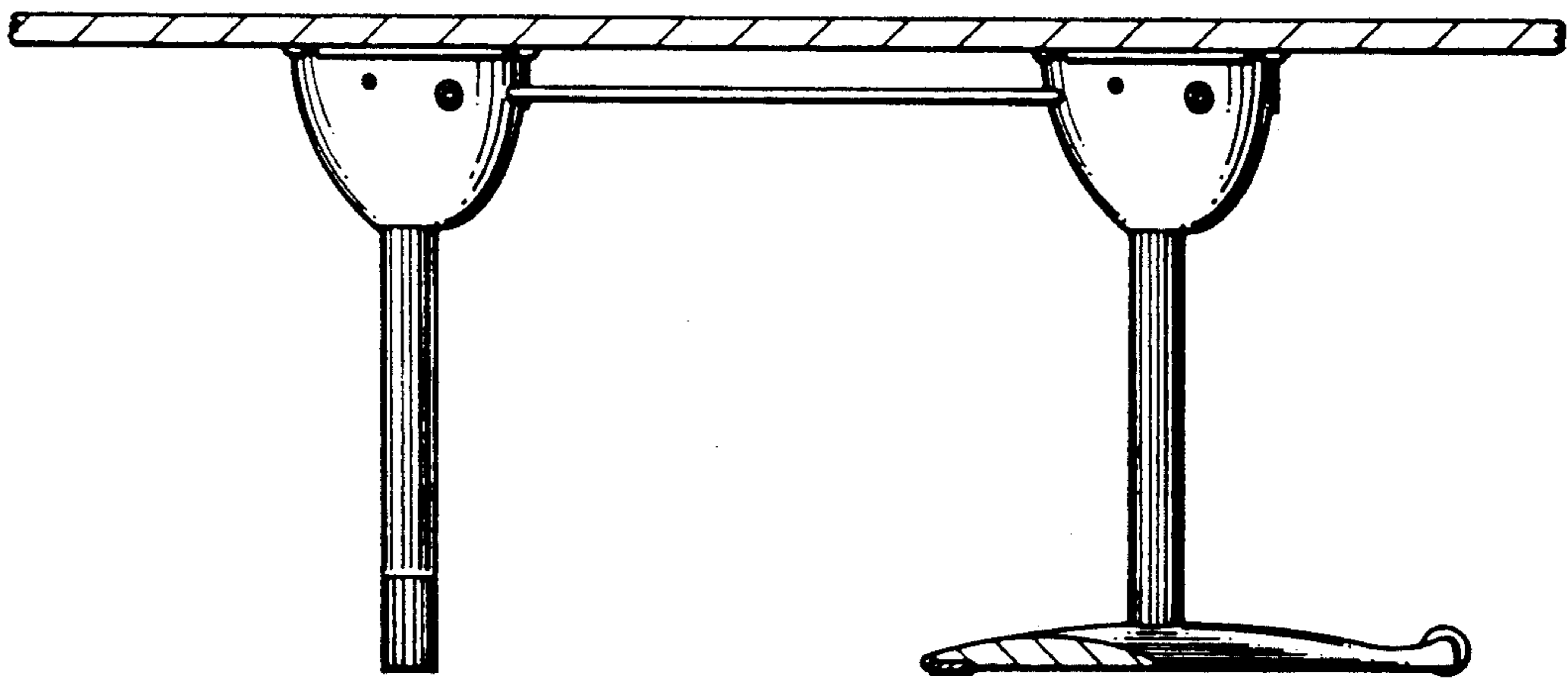


FIG. 8

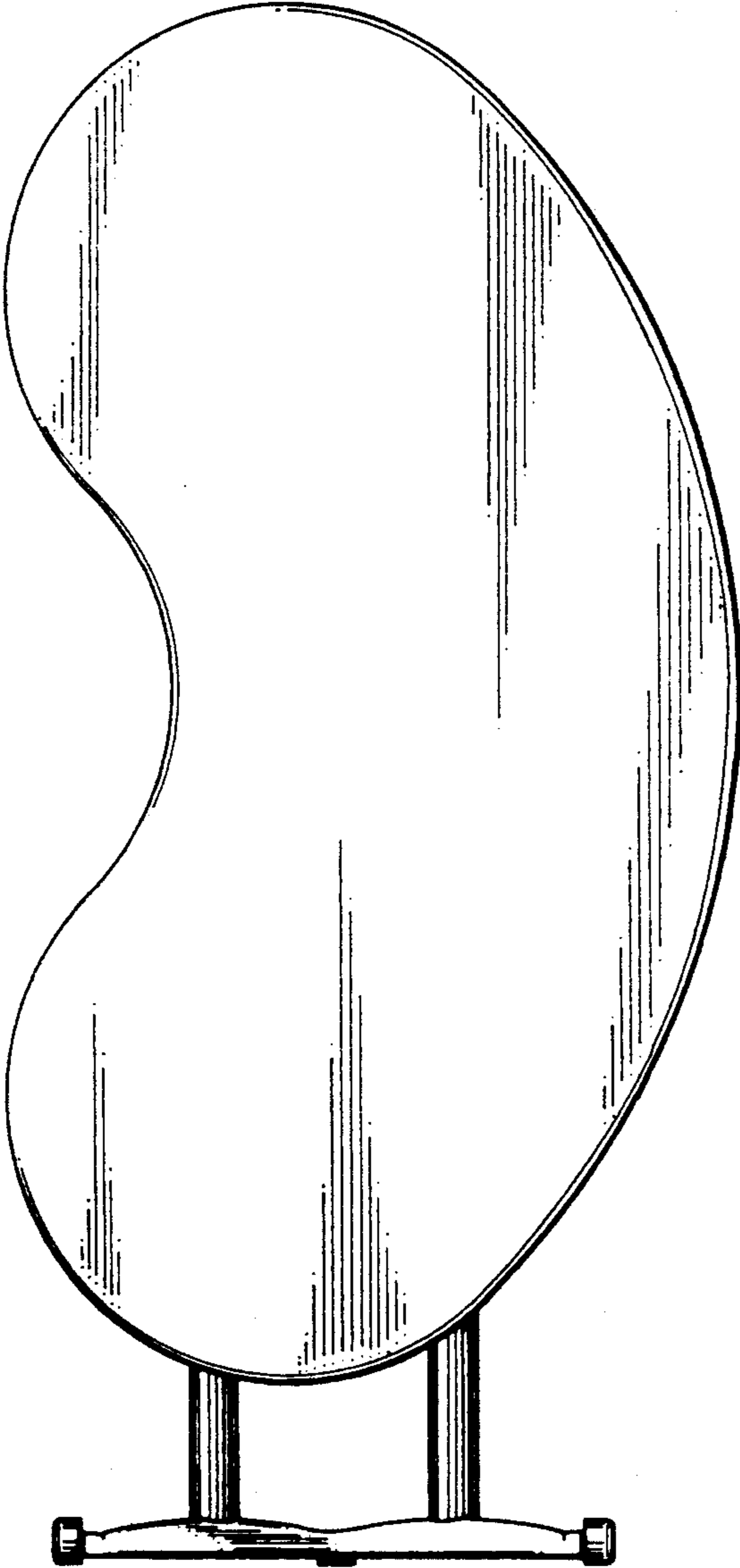


FIG. 9

