



US00D332534S

# United States Patent [19]

[11] Patent Number: **Des. 332,534**

Alford

[45] Date of Patent: **\*\* Jan. 19, 1993**

[54] **LIGHTING FIXTURE DISPLAY STAND**

D. 264,783 6/1982 Wahl ..... D6/469  
D. 276,863 12/1984 Franklin ..... D6/449 X

[75] Inventor: **Michael P. Alford**, Huntington Beach, Calif.

*Primary Examiner*—Carmen H. Vales-Lado  
*Attorney, Agent, or Firm*—Knobbe, Martens, Olson & Bear

[73] Assignee: **Minka Lighting, Inc.**, Corona, Calif.

[\*\*] Term: **14 Years**

[57] **CLAIM**

[21] Appl. No.: **553,951**

The ornamental design for a lighting fixture display stand, as shown and described.

[22] Filed: **Jul. 16, 1990**

**DESCRIPTION**

[52] U.S. Cl. .... **D6/469; D6/332**

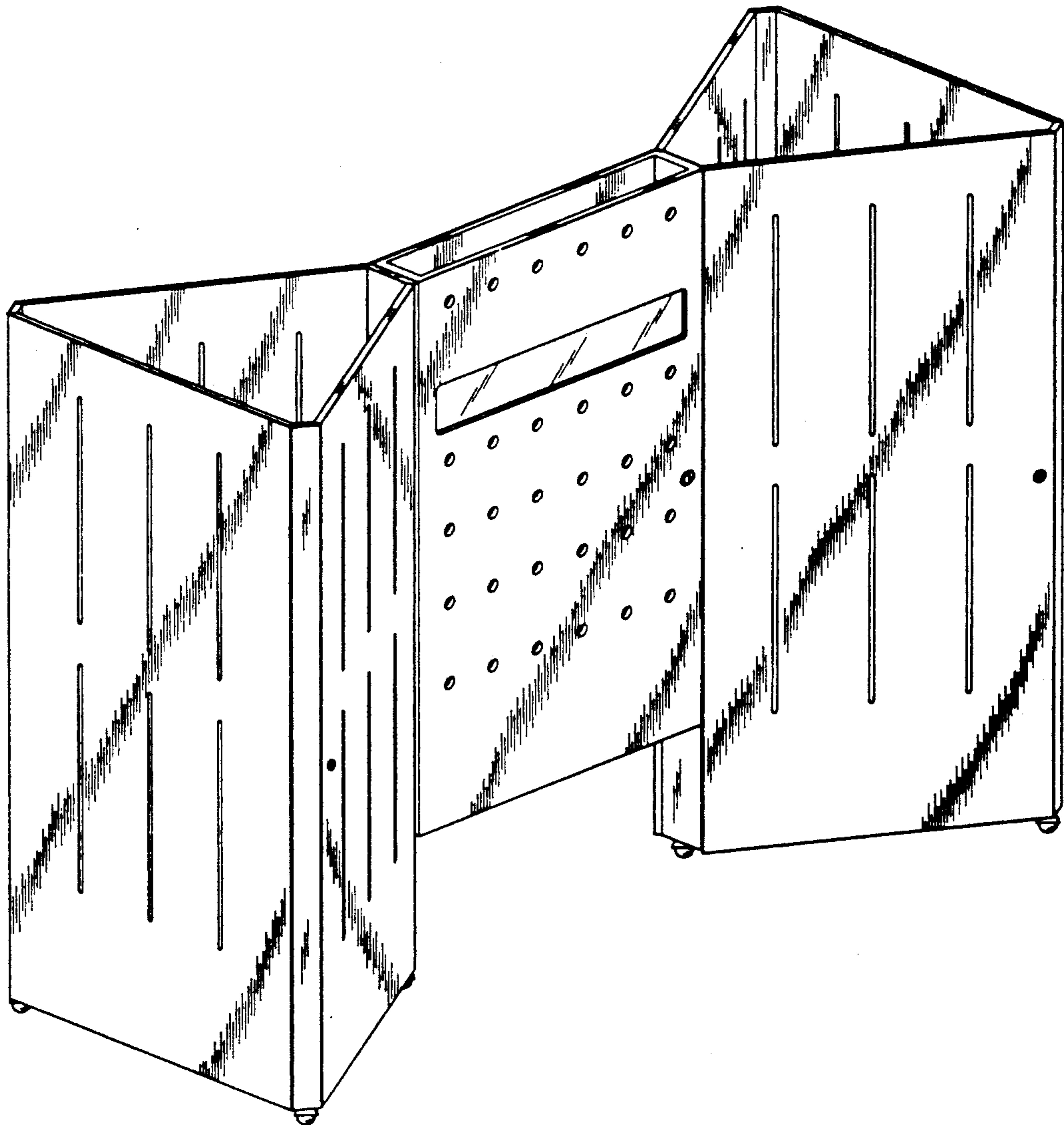
[58] Field of Search ..... **D6/449-469, D6/332; 211/13, 54.1, 54.7, 59.1, 189, 199; 40/605, 565, 155, 491**

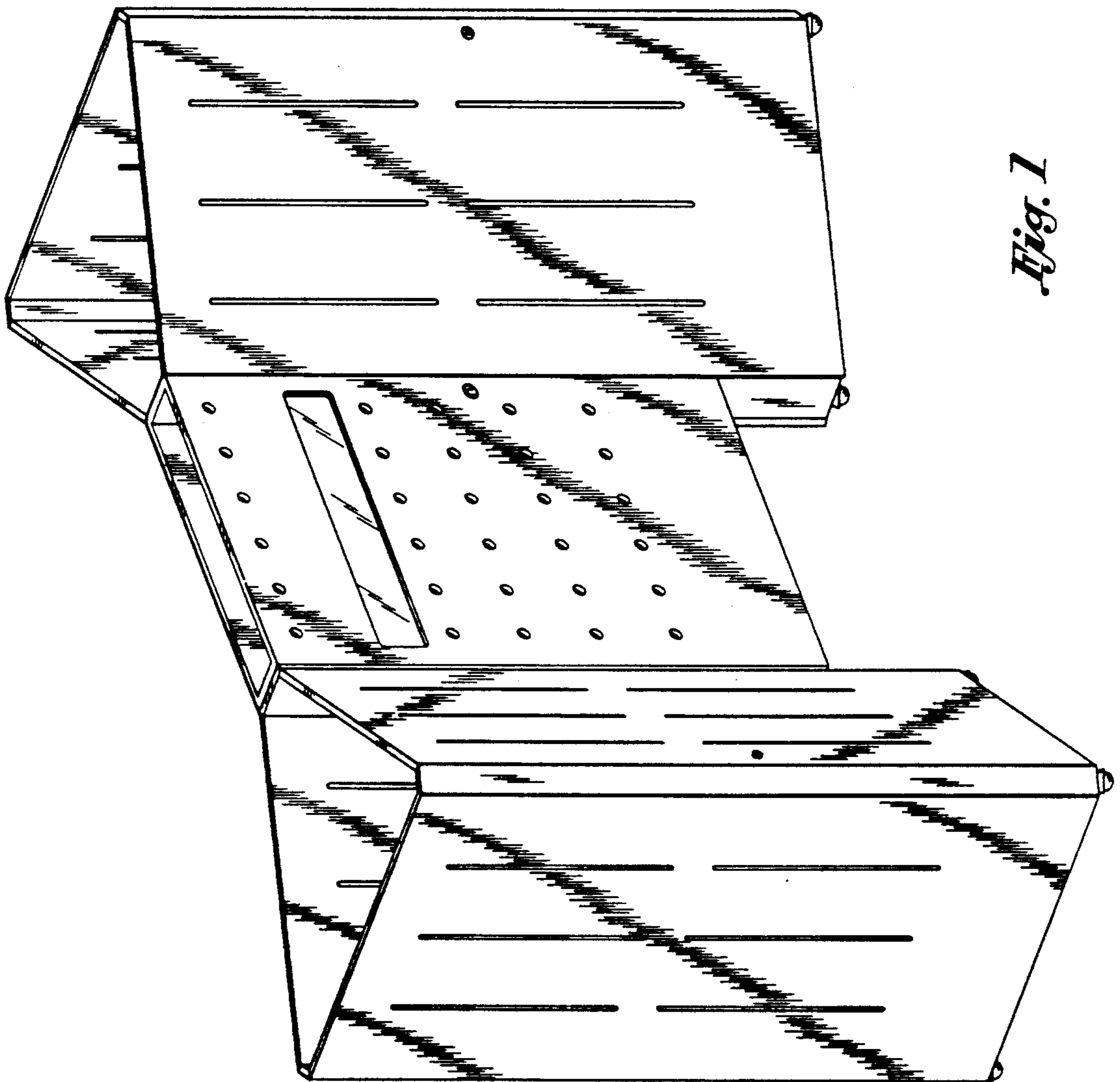
FIG. 1 is a perspective view of a lighting fixture display stand showing my new design;  
FIG. 2 is a top plan view thereof;  
FIG. 3 is a left-end elevational view thereof;  
FIG. 4 is a front elevational view thereof;  
FIG. 5 is a rear elevational view thereof;  
FIG. 6 is a right-end elevational view thereof; and,  
FIG. 7 is a bottom plan view thereof.

[56] **References Cited**

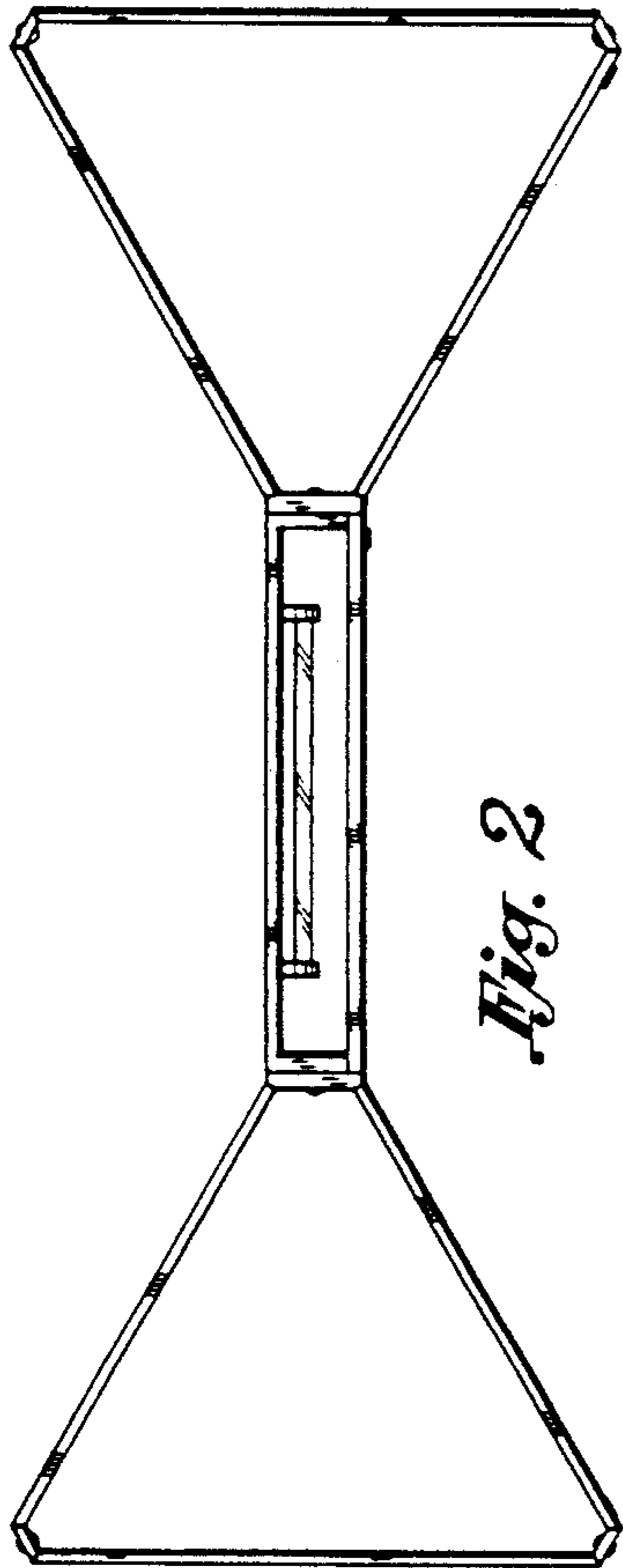
**U.S. PATENT DOCUMENTS**

D. 76,120 8/1928 Burdett ..... D6/450

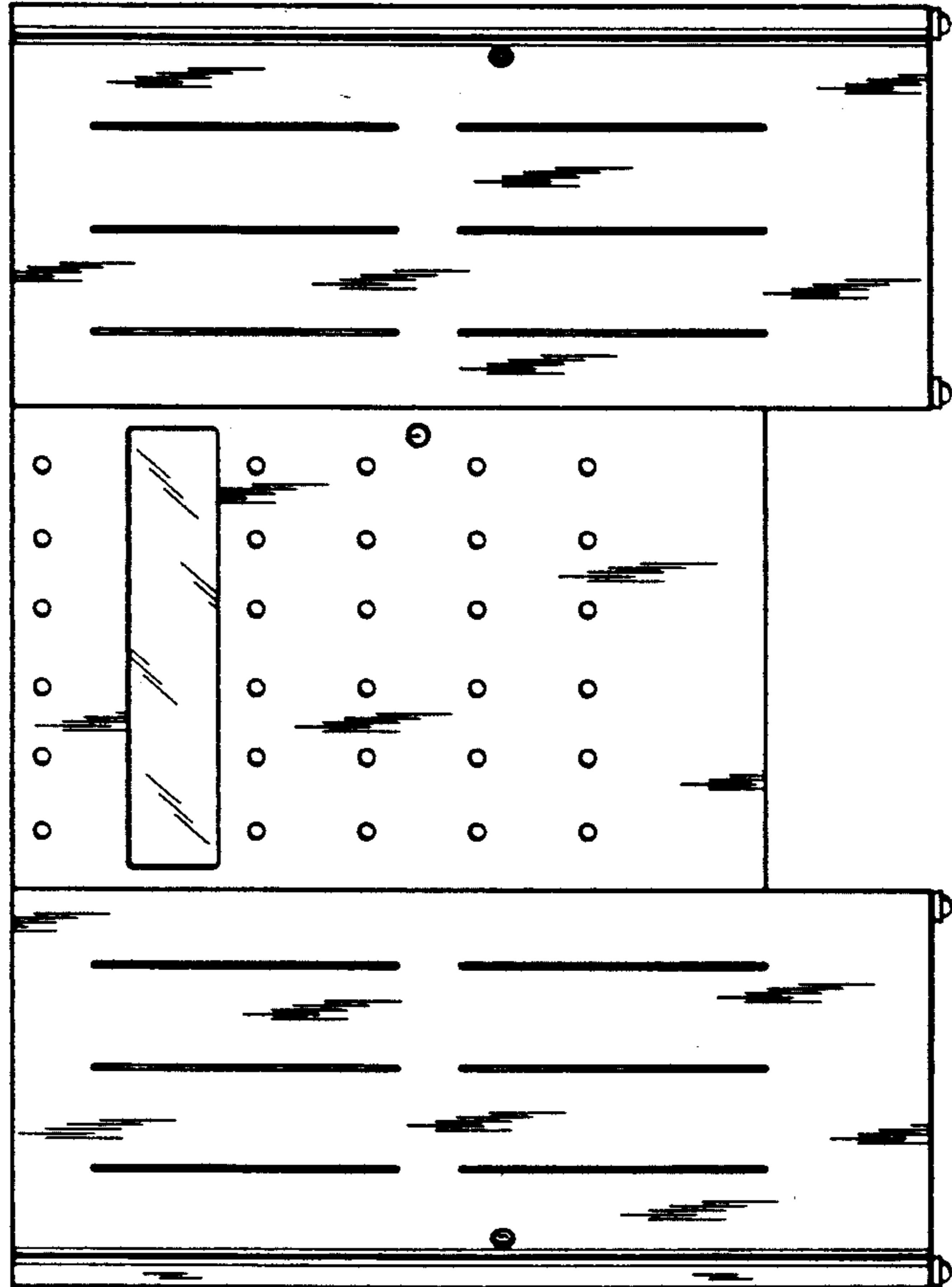




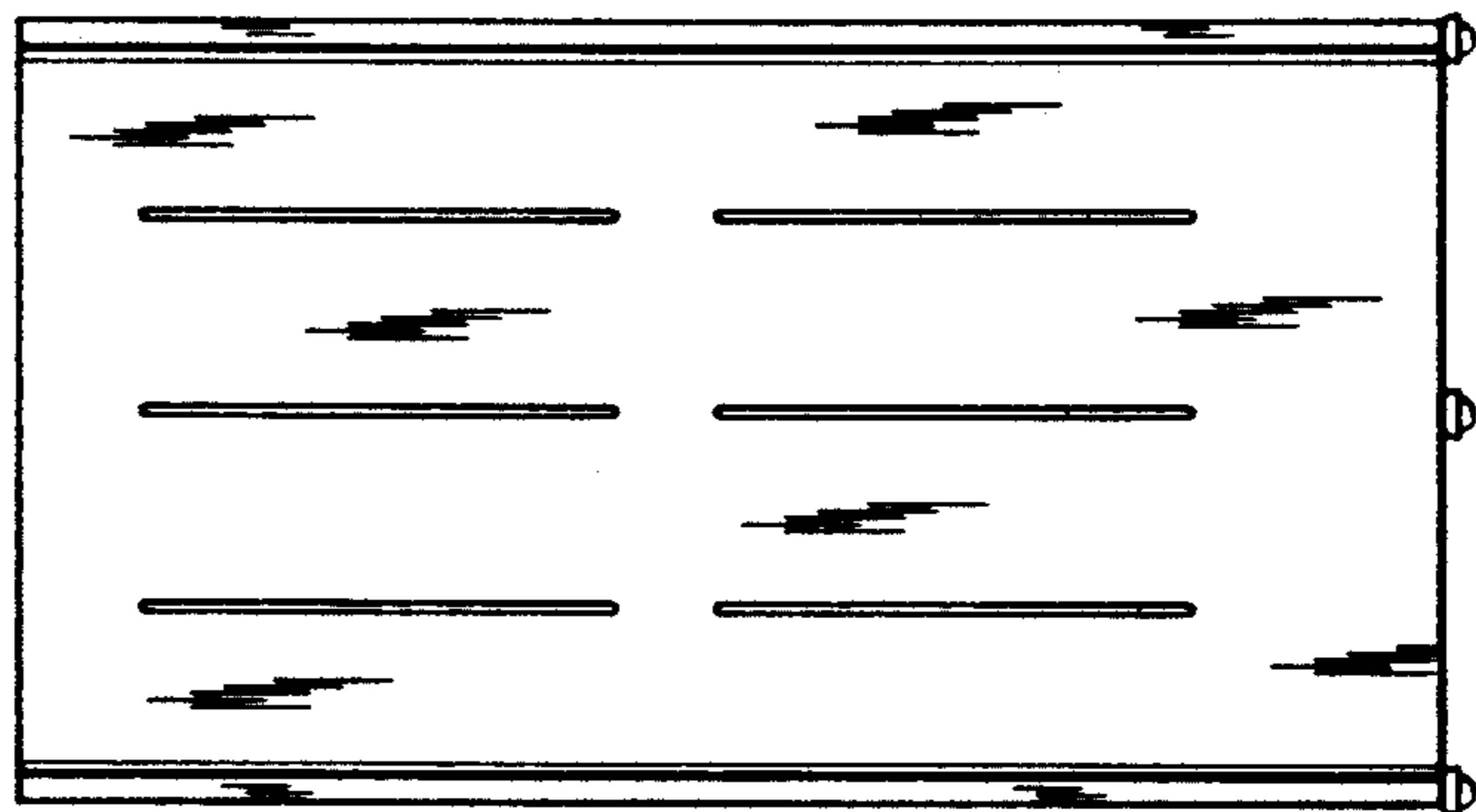
*Fig. 1*



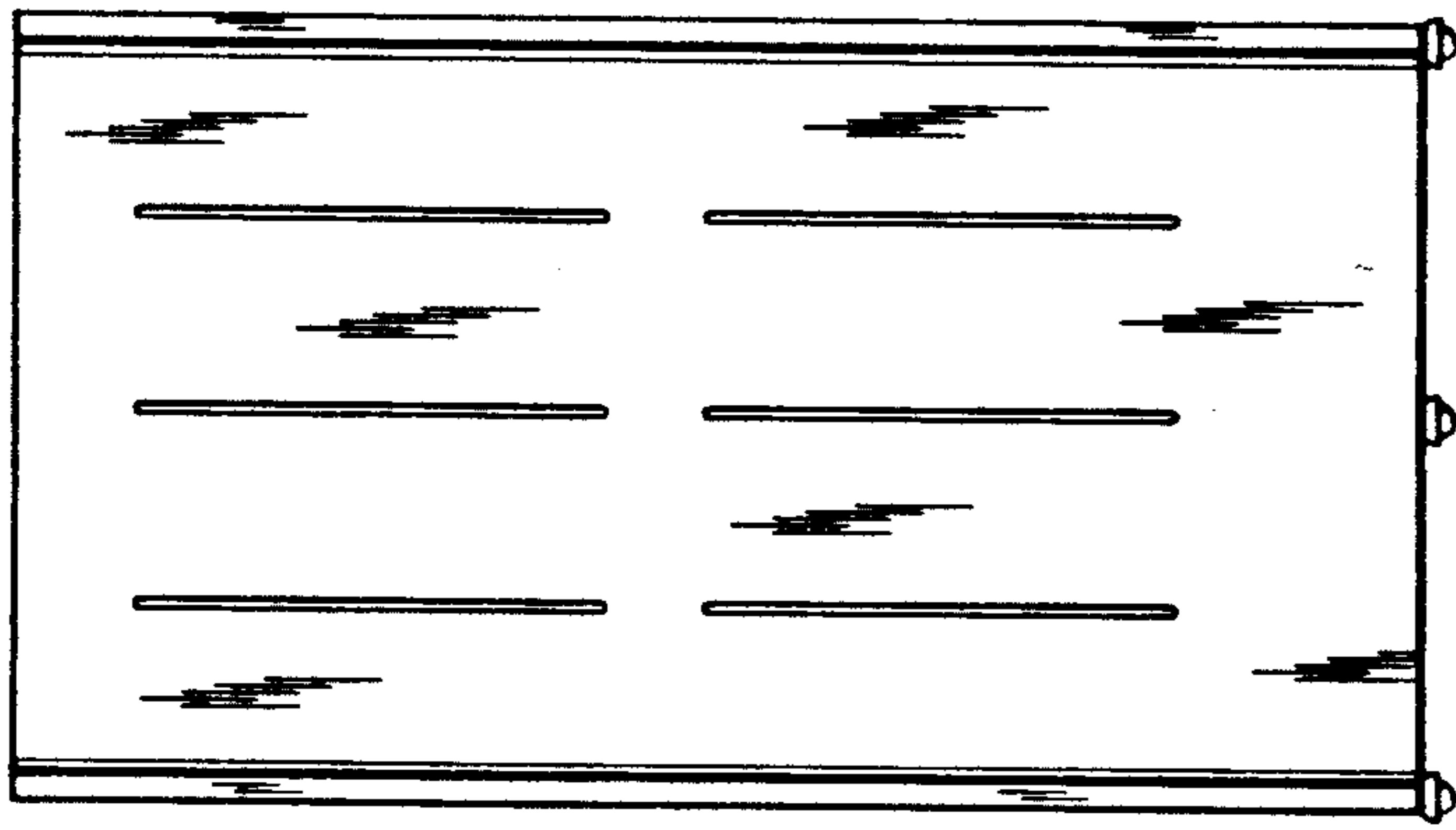
*Fig. 2*



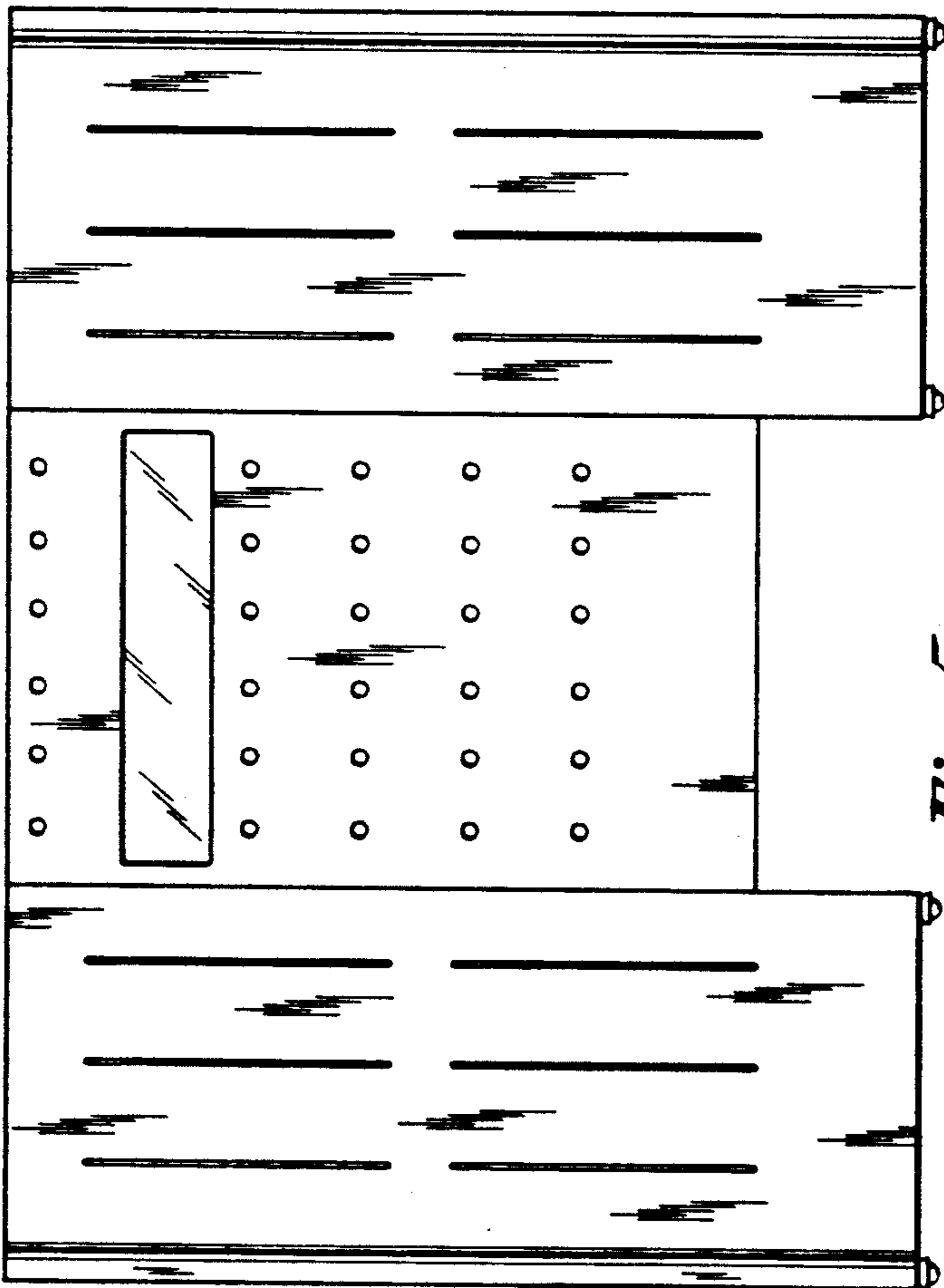
*Fig. 4*



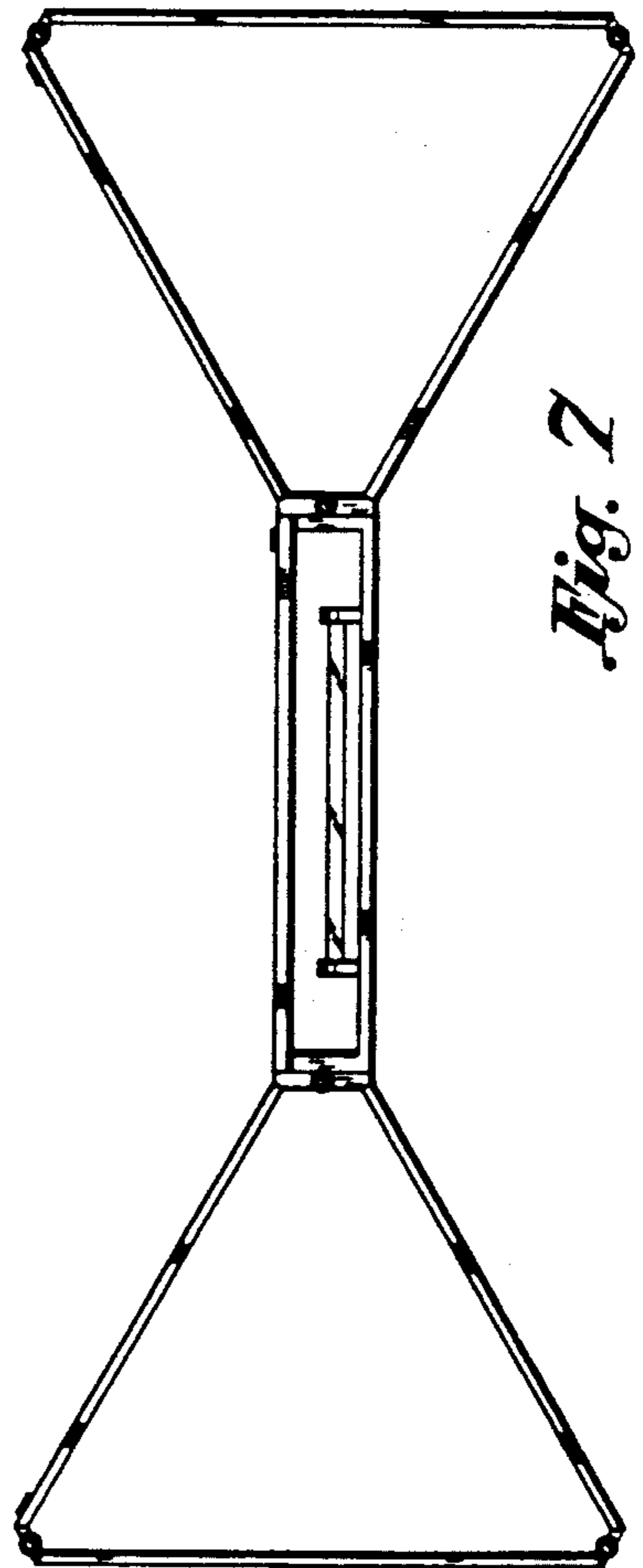
*Fig. 3*



*Fig. 6*



*Fig. 5*



*Fig. 7*