



US00D332532S

# United States Patent [19]

[11] Patent Number: **Des. 332,532**

Combs

[45] Date of Patent: **\*\* Jan. 19, 1993**

- [54] **CRADLE**
- [76] Inventor: **Mary A. Combs**, 12328 W. Grand Place, Morrison, Colo. 80465
- [\*\*] Term: **14 Years**
- [21] Appl. No.: **598,346**
- [22] Filed: **Oct. 16, 1990**
- [52] U.S. Cl. .... **D6/385; D6/391**
- [58] Field of Search ..... **D6/382-385, D6/505-508; 5/93.1, 101, 102, 105**

4,205,876 6/1980 Cetina ..... 5/101 X  
 5,016,301 5/1991 Combs ..... 5/102 X

*Primary Examiner*—Nelson C. Holtje  
*Assistant Examiner*—Janice E. Seeger  
*Attorney, Agent, or Firm*—Brian D. Smith

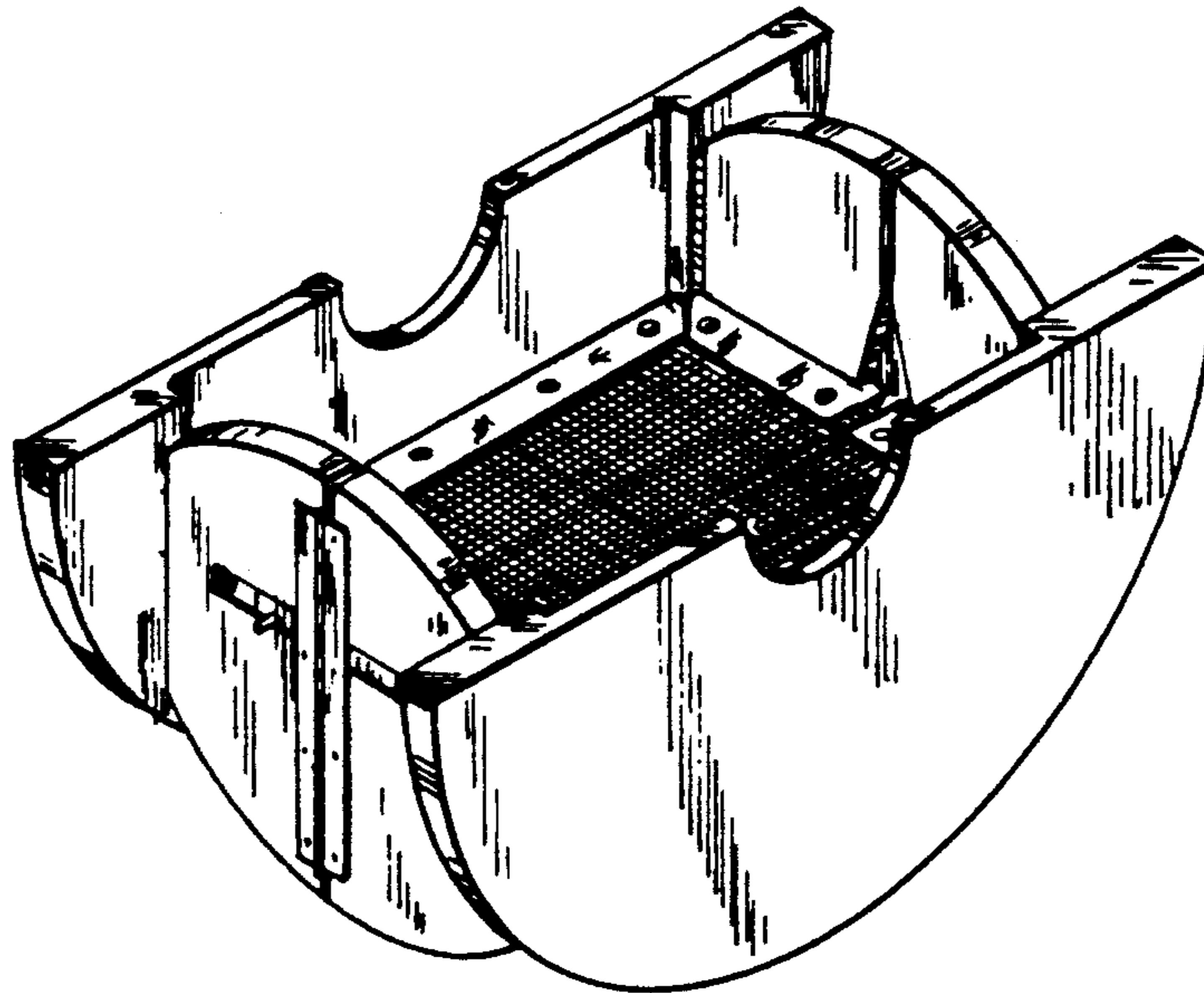
### [57] CLAIM

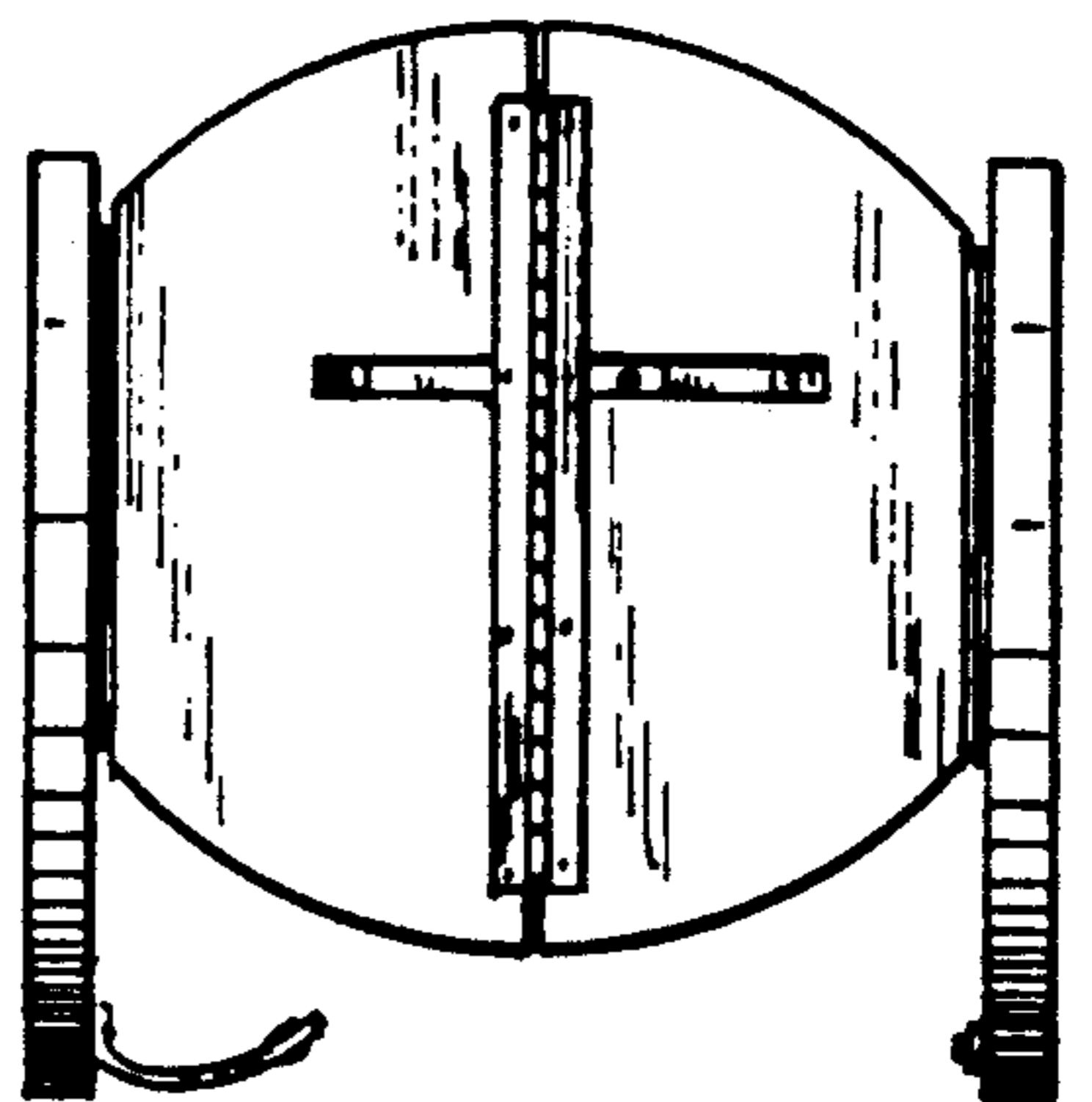
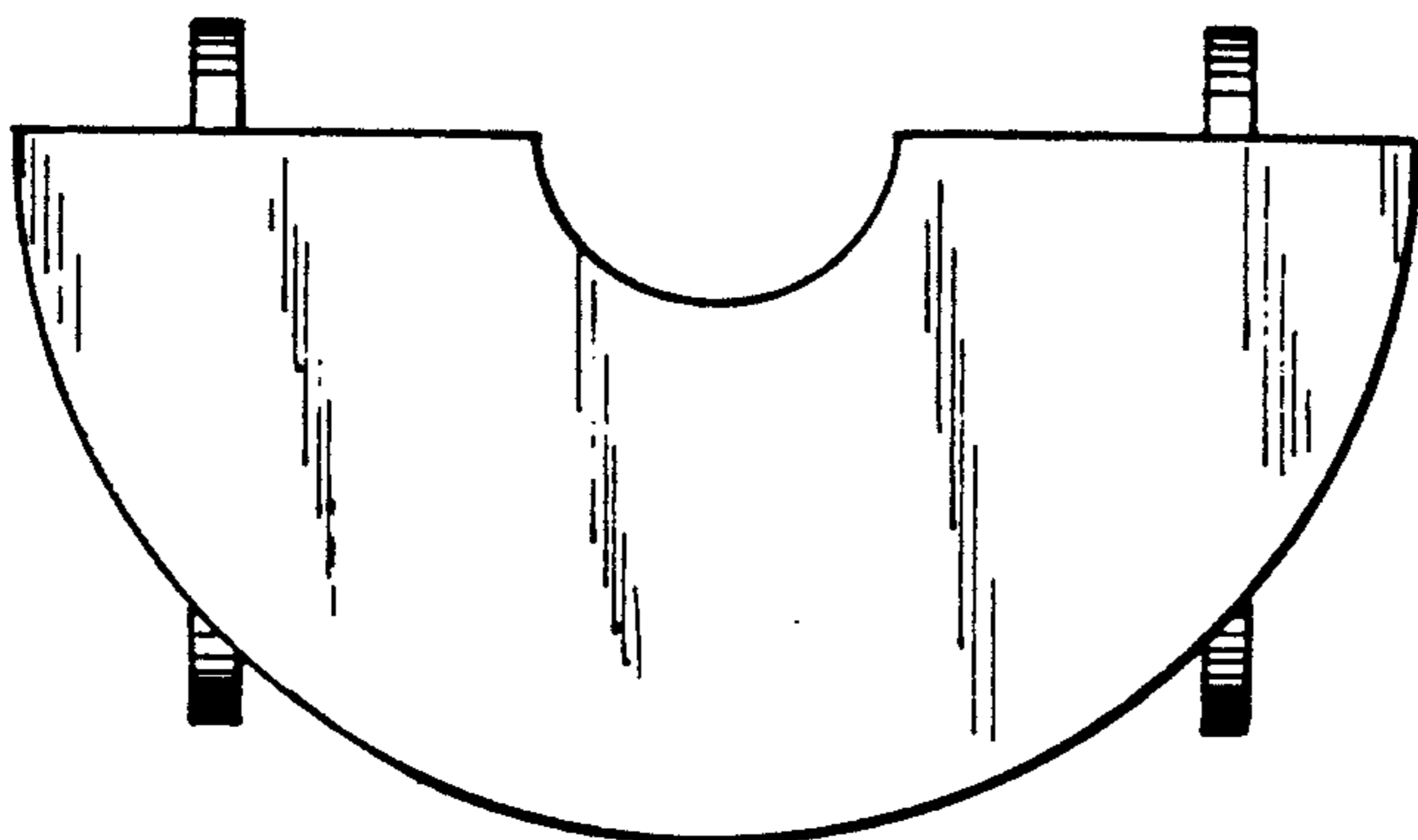
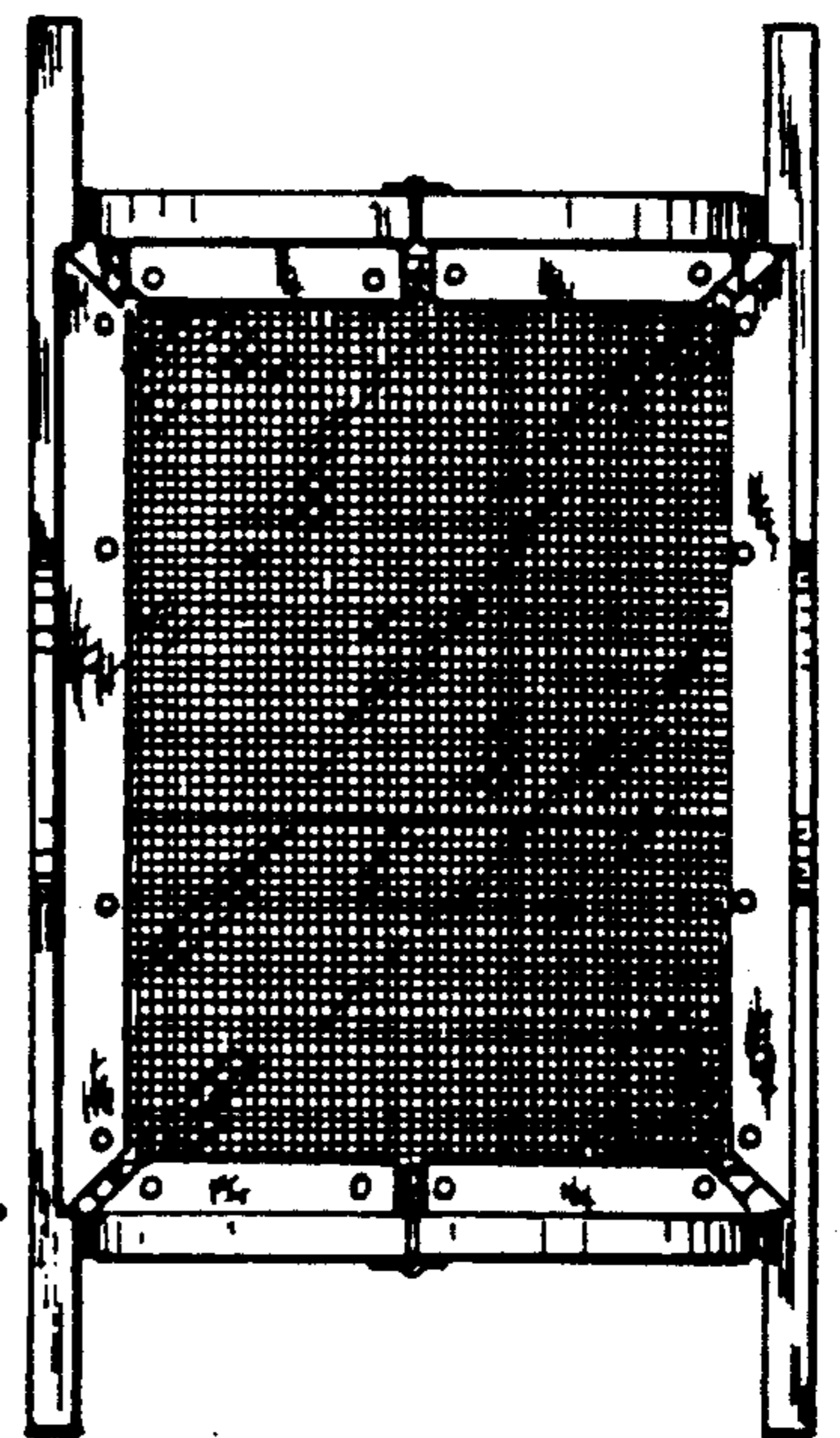
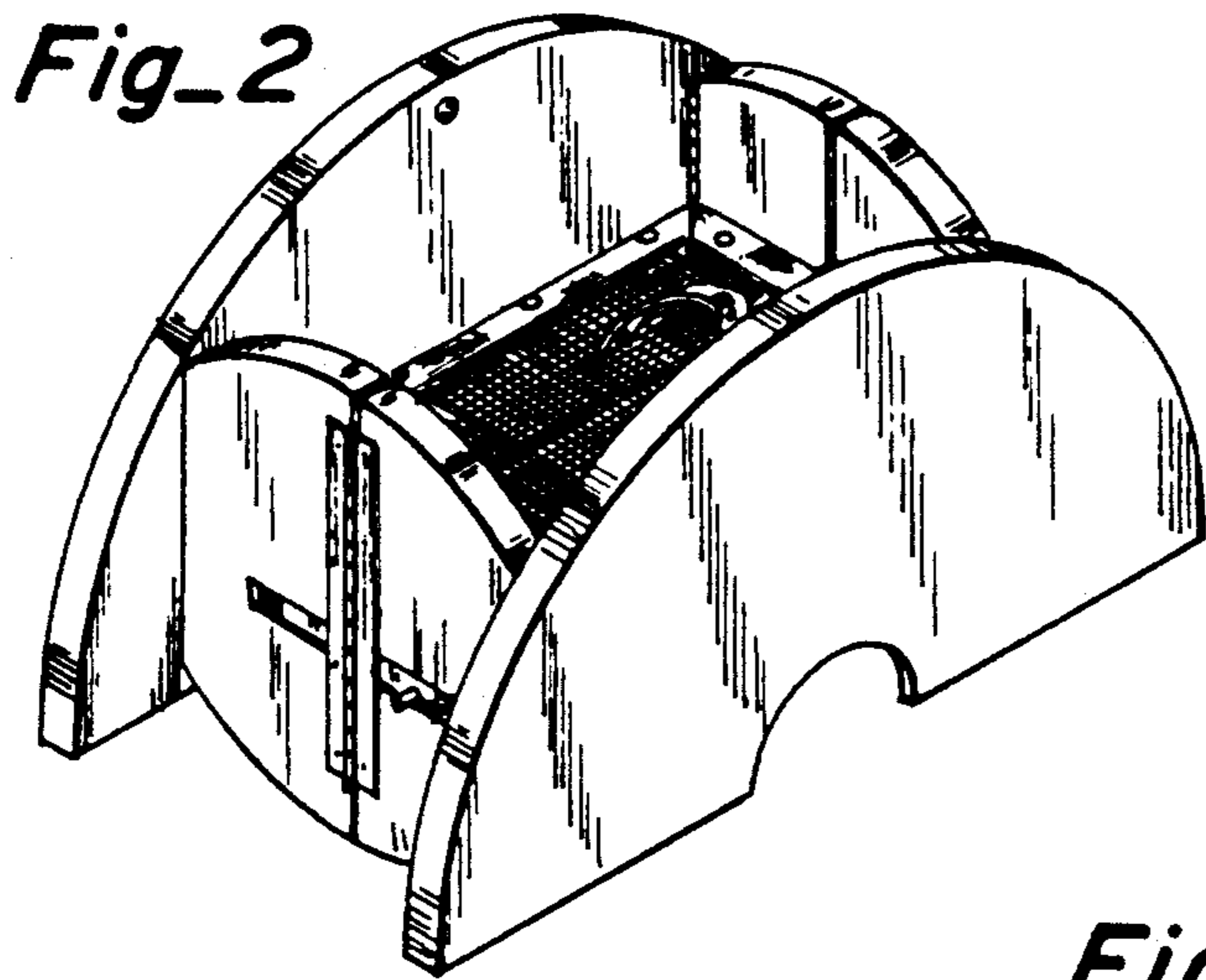
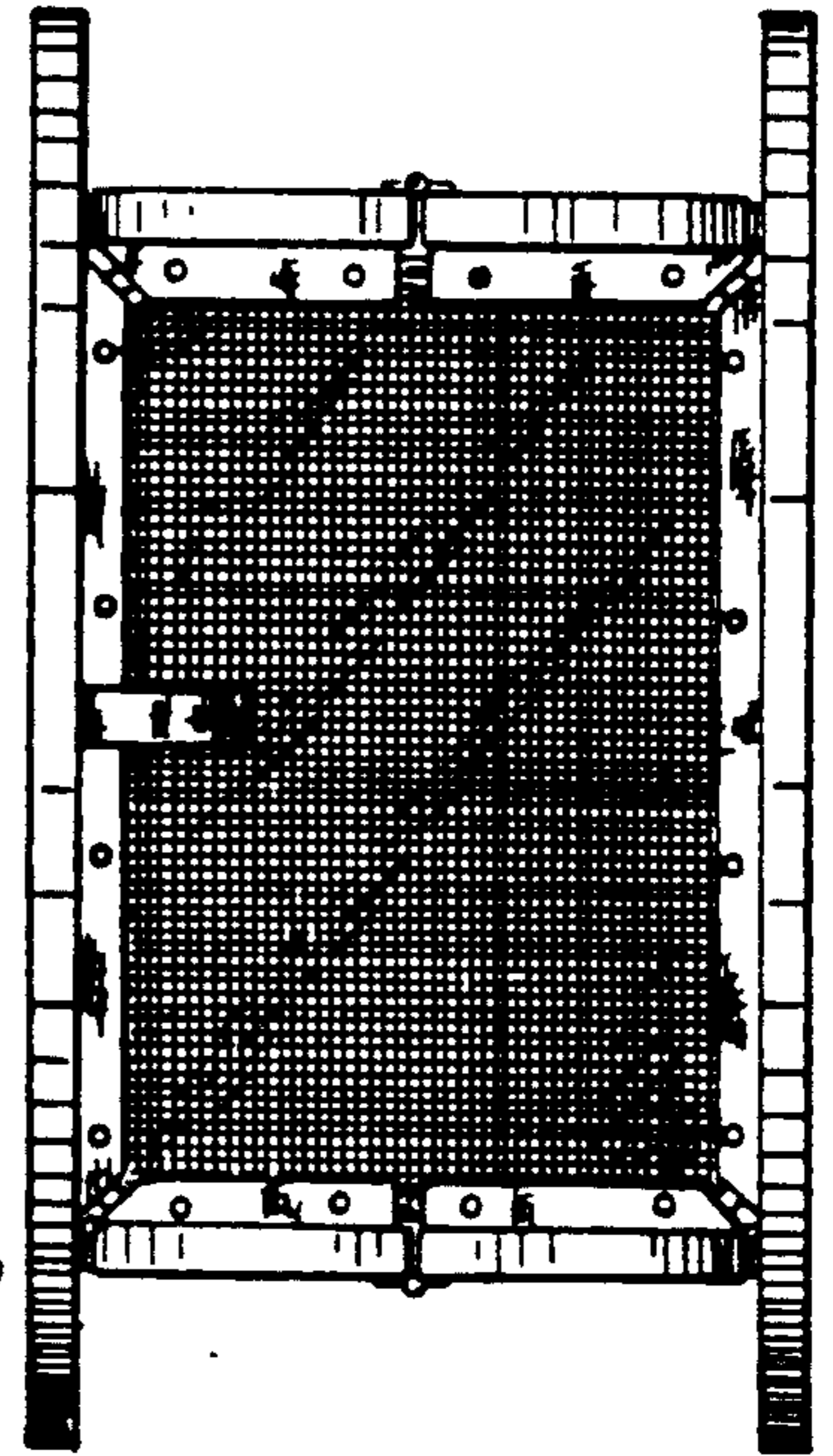
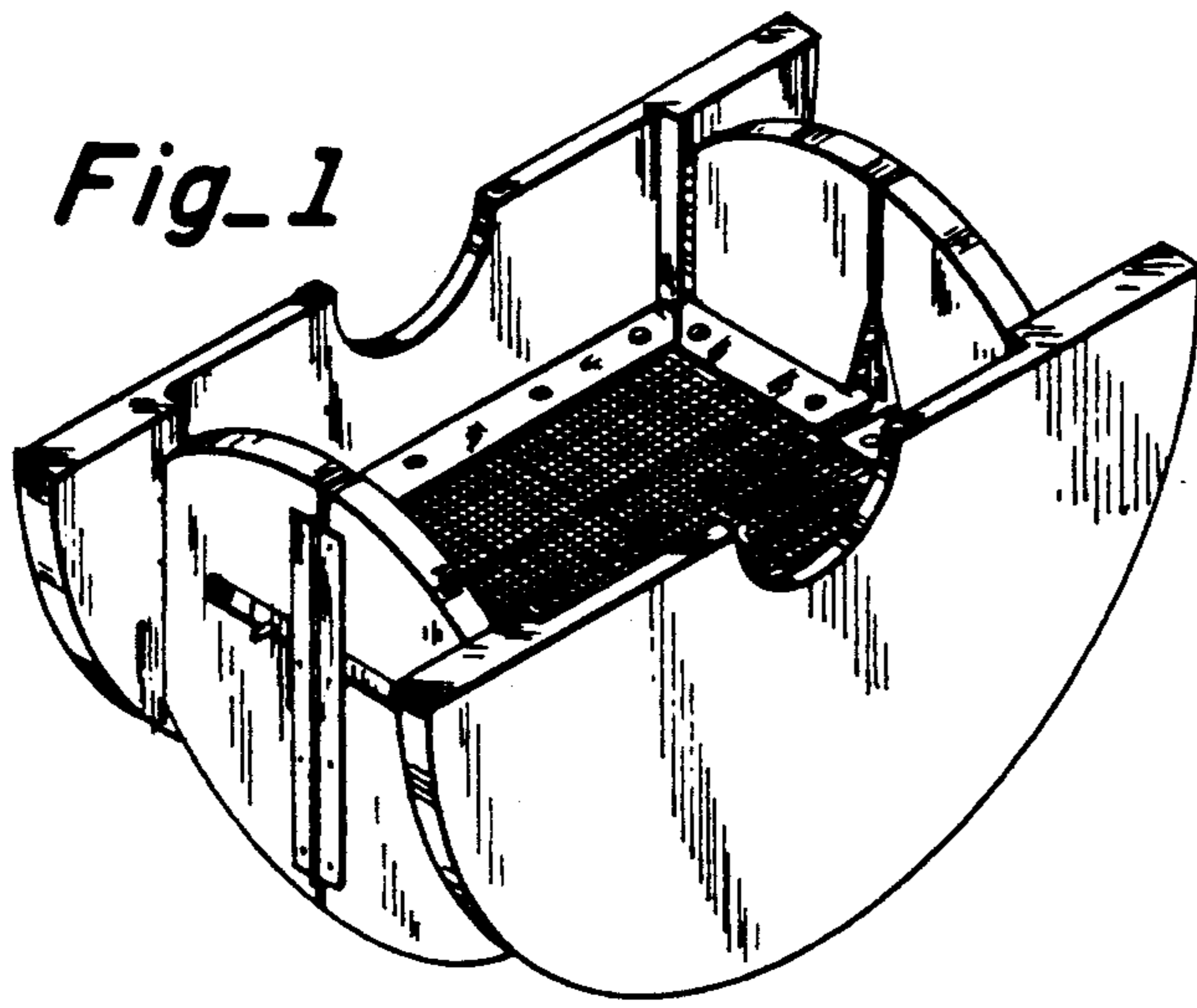
The ornamental design for cradle, as shown and described.

### DESCRIPTION

FIG. 1 is a top perspective view of a cradle, showing my new design;  
 FIG. 2 is a bottom perspective view;  
 FIG. 3 is a side elevational view, the opposite side being a mirror image;  
 FIG. 4 is a bottom plan view;  
 FIG. 5 is a top plan view; and,  
 FIG. 6 is an end elevational view, the opposite end being a mirror image thereof.

- [56] **References Cited**
- U.S. PATENT DOCUMENTS**
- D. 17,055 1/1887 Seymour ..... D6/382
- D. 166,484 4/1952 Nash ..... D6/384 X
- D. 201,348 6/1965 Tapert ..... D6/384
- 1,203,080 10/1916 Vanek ..... 5/105 X
- 2,036,157 3/1936 Mansberger ..... D6/383 X
- 3,837,019 9/1974 Hoff ..... 5/105 X





Fig\_3

Fig\_6