



US00D332530S

United States Patent [19]

Nguyen

[11] Patent Number: Des. 332,530

[45] Date of Patent: ** Jan. 19, 1993

[54] CHAIR

5,040,847 8/1991 Nguyen 297/447

[76] Inventor: Chuong Q. B. Nguyen, 2522 Lance La., Stafford, Tex. 77477

[**] Term: 14 Years

[21] Appl. No.: 432,146

[22] Filed: Nov. 2, 1989

[52] U.S. Cl. D6/370; D6/334; D6/373

[58] Field of Search D6/334, 355, 368, 370, D6/371, 372, 373, 374, 375, 500, 501; 297/447

[56] References Cited.

U.S. PATENT DOCUMENTS

D. 197,512	2/1964	Poisson	D6/375
D. 240,873	8/1976	Lewis	D6/368
2,649,147	8/1953	Sanford	297/447
4,210,182	7/1980	Danko	297/447 X
4,235,473	11/1980	Aqinar	D6/370 X

OTHER PUBLICATIONS

Industrial Design, Dec. 1969, p. 58, chair at bottom right.

Primary Examiner—Nelson C. Holtje
Assistant Examiner—Gary D. Watson
Attorney, Agent, or Firm—Fish & Richardson

[57] CLAIM

The ornamental design for a chair, as shown.

DESCRIPTION

FIG. 1 is a right side elevational view of a chair showing my new design;
FIG. 2 is a front elevational view;
FIG. 3 is a rear elevational view;
FIG. 4 is a left side elevational view;
FIG. 5 is a top plan view;
FIG. 6 is a bottom plan view; and,
FIG. 7 is a right-front perspective view thereof.

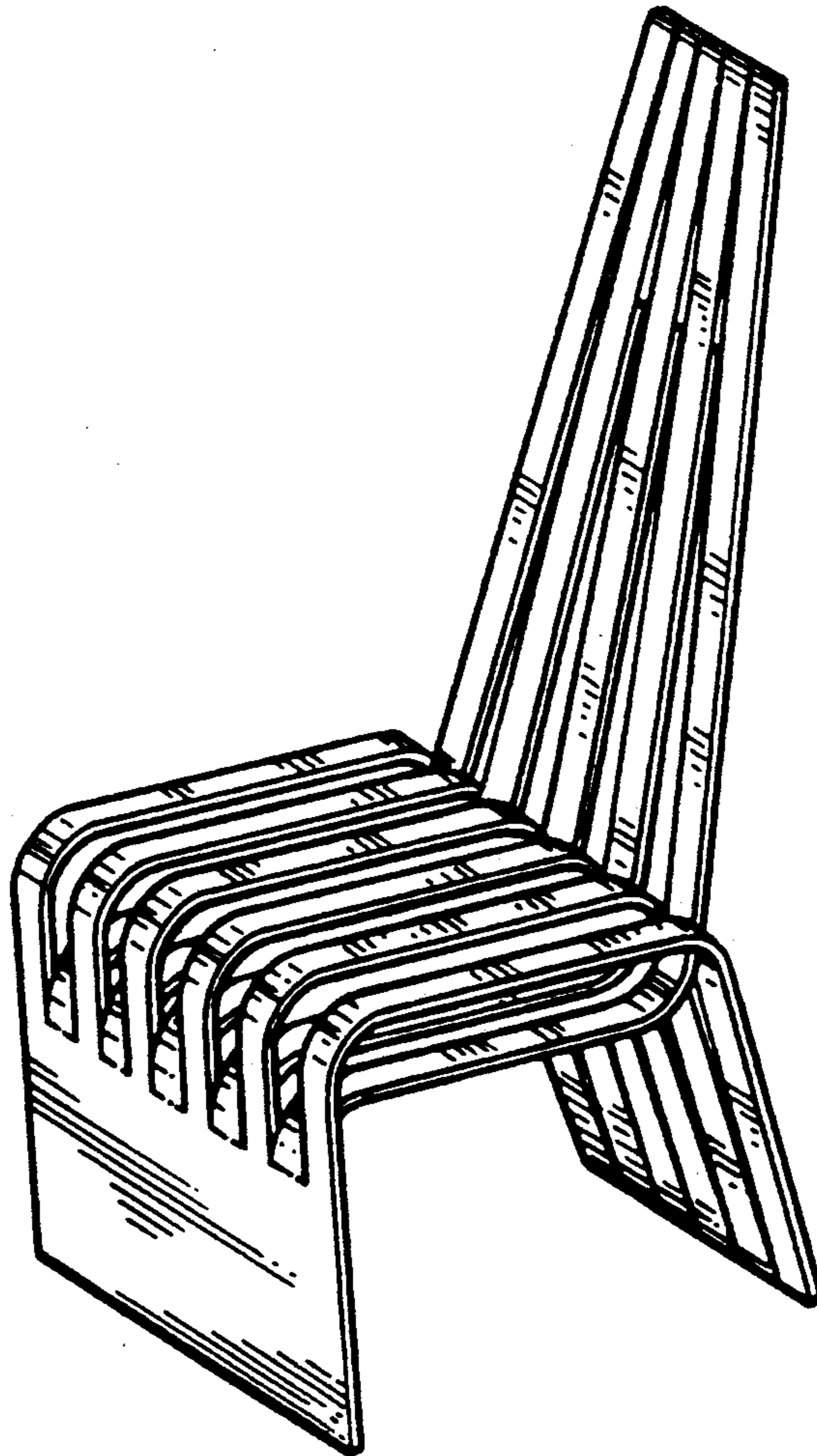


FIG.1

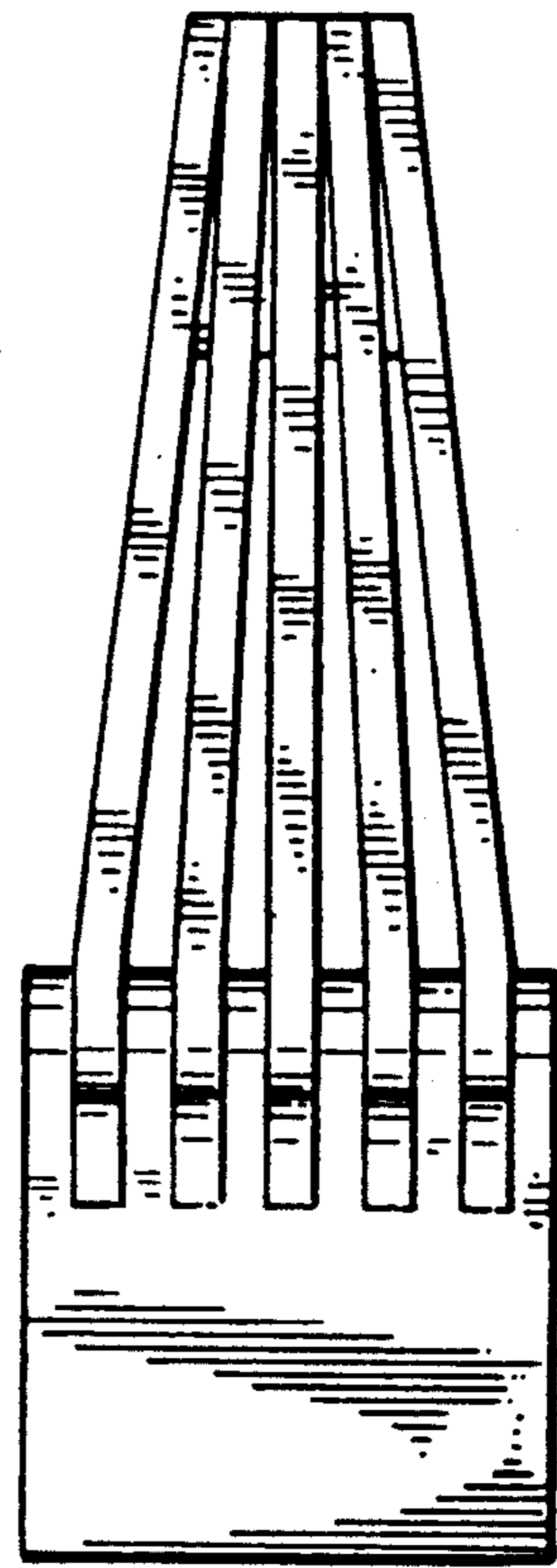
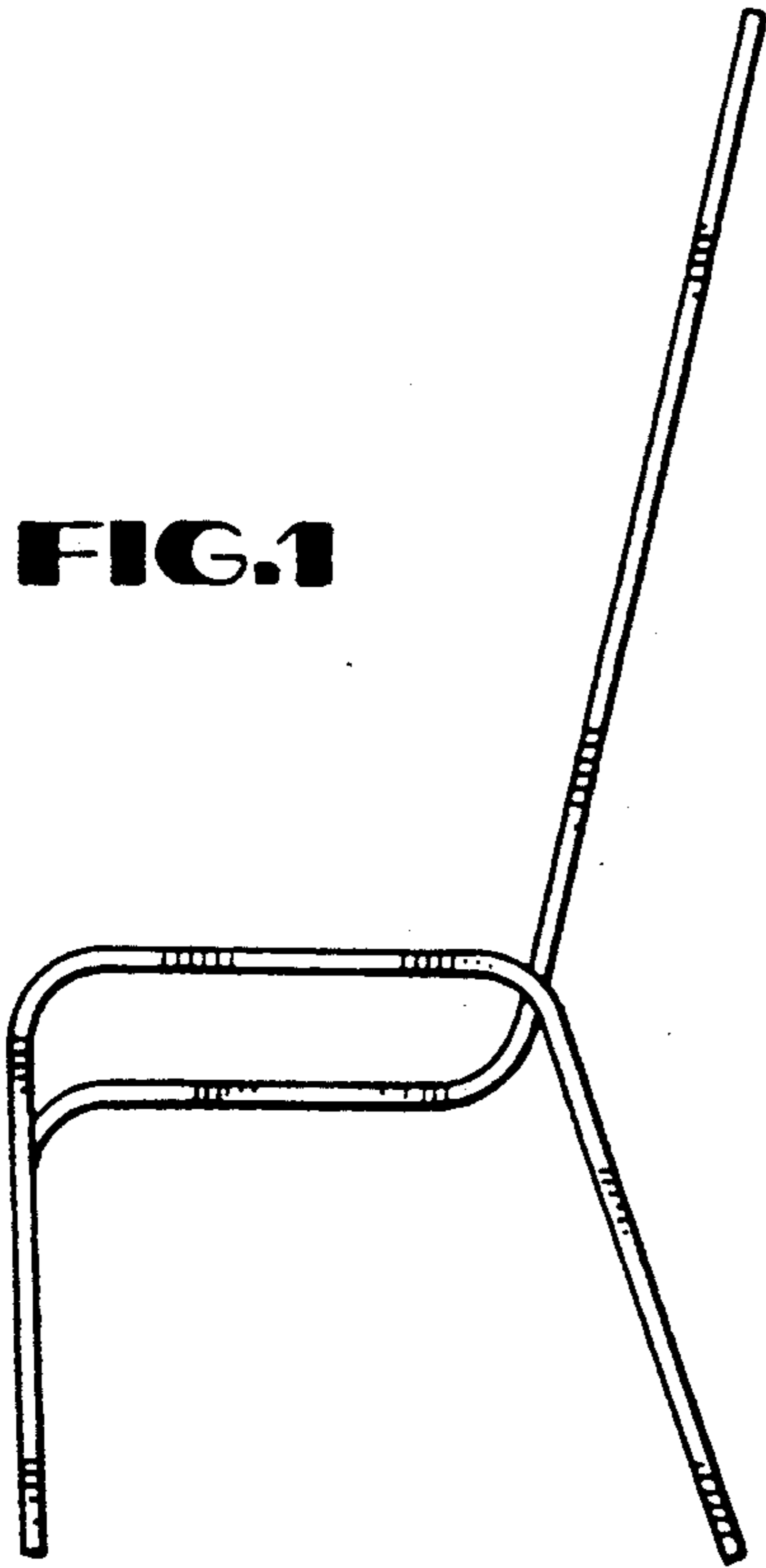


FIG.2

FIG.3

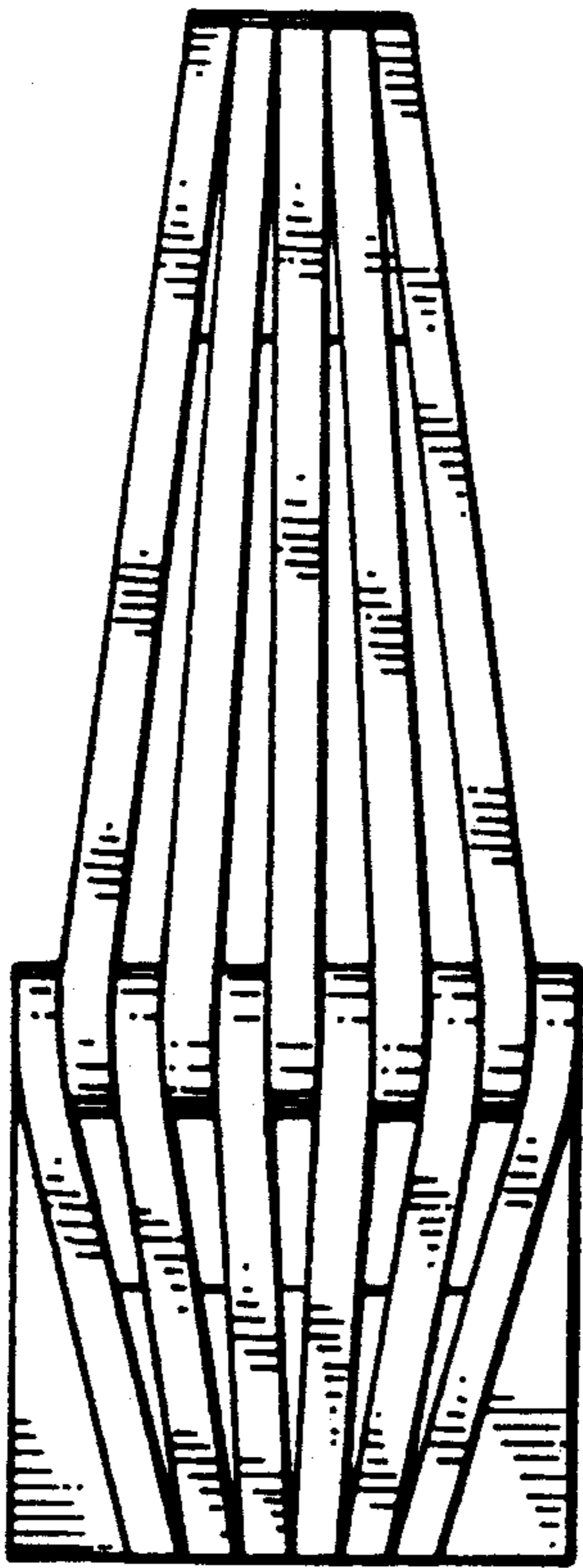


FIG.4

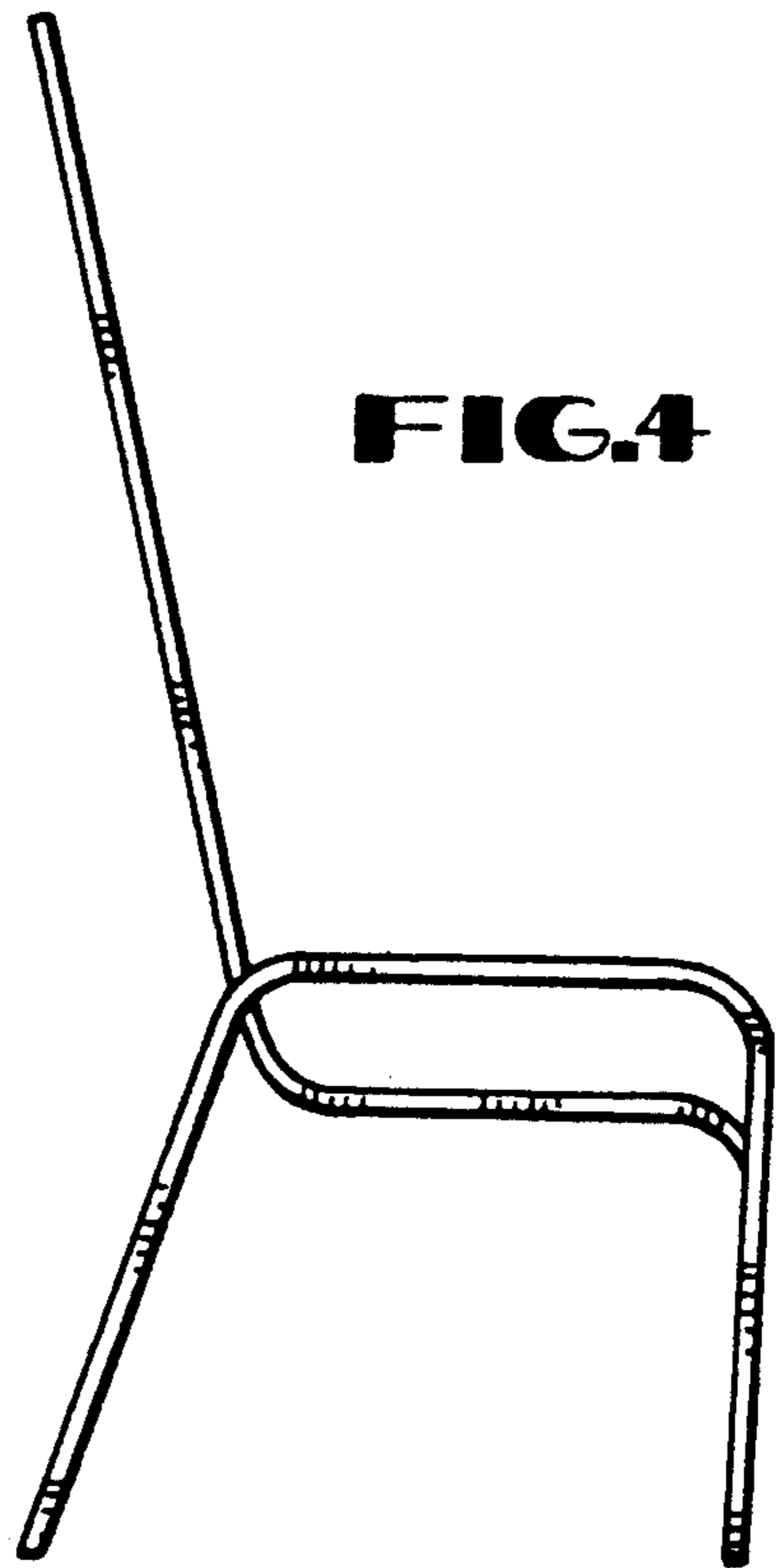


FIG.5

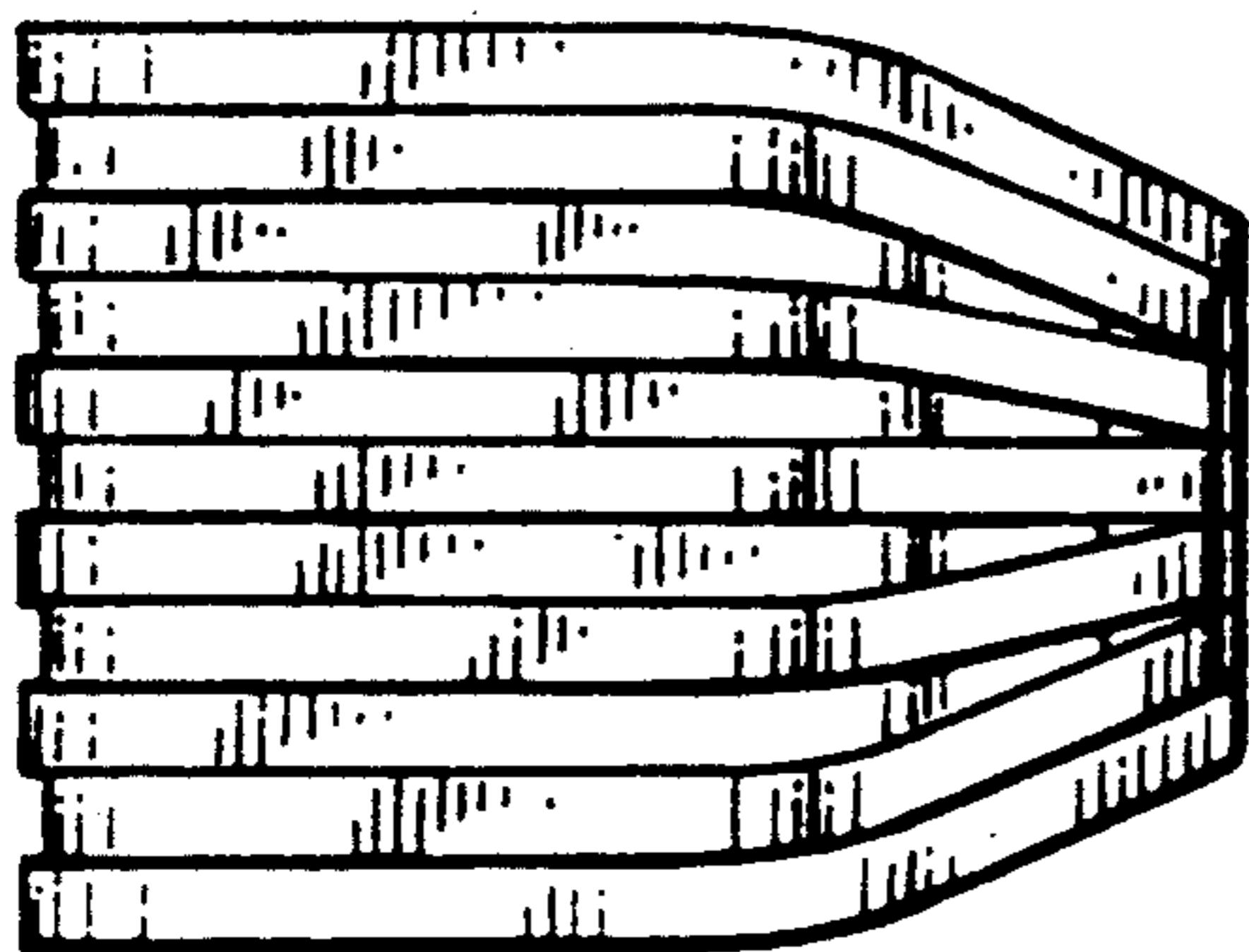


FIG.6

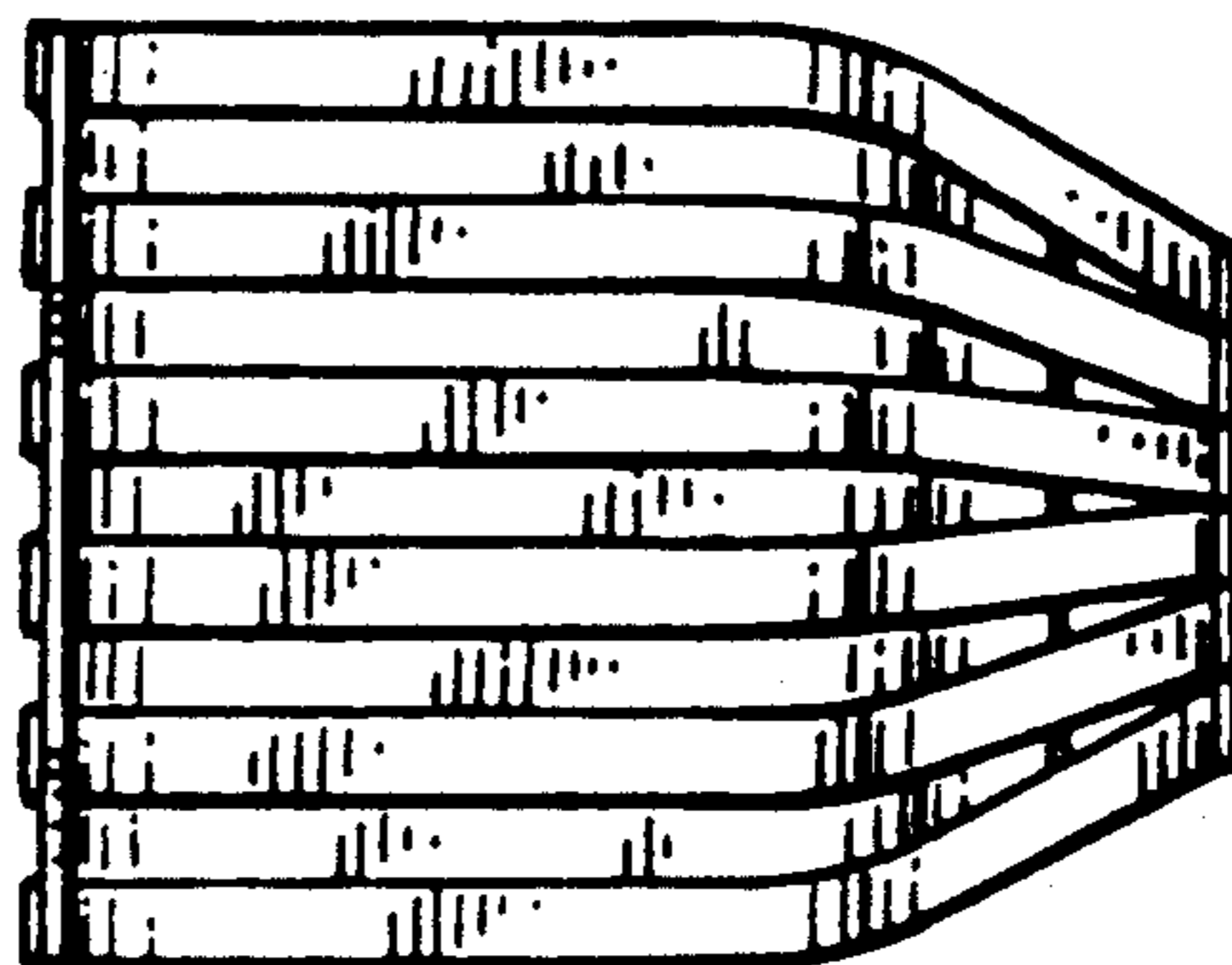


FIG.7

