



US00D332512S

# United States Patent [19]

[11] Patent Number: **Des. 332,512**

**Bernard**

[45] Date of Patent: **\*\* Jan. 12, 1993**

[54] **PAINT PAN WITH BRUSH DOCK AND PAINT RESERVOIR**

D. 302,881 8/1989 Lussier et al. .... D32/53.1  
3,139,188 6/1984 Goetz et al. .... 15/257.06

[76] Inventor: **Aaron L. Bernard**, 122 Fairway Dr., Lafayette, La. 70506

*Primary Examiner*—Wallace R. Burke  
*Assistant Examiner*—Lavone D. Tabor  
*Attorney, Agent, or Firm*—Pravel, Gambrell, Hewitt, Kimball & Krieger

[\*\*] Term: **14 Years**

[21] Appl. No.: **491,652**

[57] **CLAIM**

[22] Filed: **Mar. 12, 1990**

The ornamental design for a paint pan with brush dock and paint reservoir, as shown and described.

[52] U.S. Cl. .... **D32/53.1**

[58] Field of Search ..... D32/53.1; 15/257 R, 15/248 R, 257.05, 257.06; 118/258; 206/515, 518, 557; 220/570-571; 401/118-119, 121

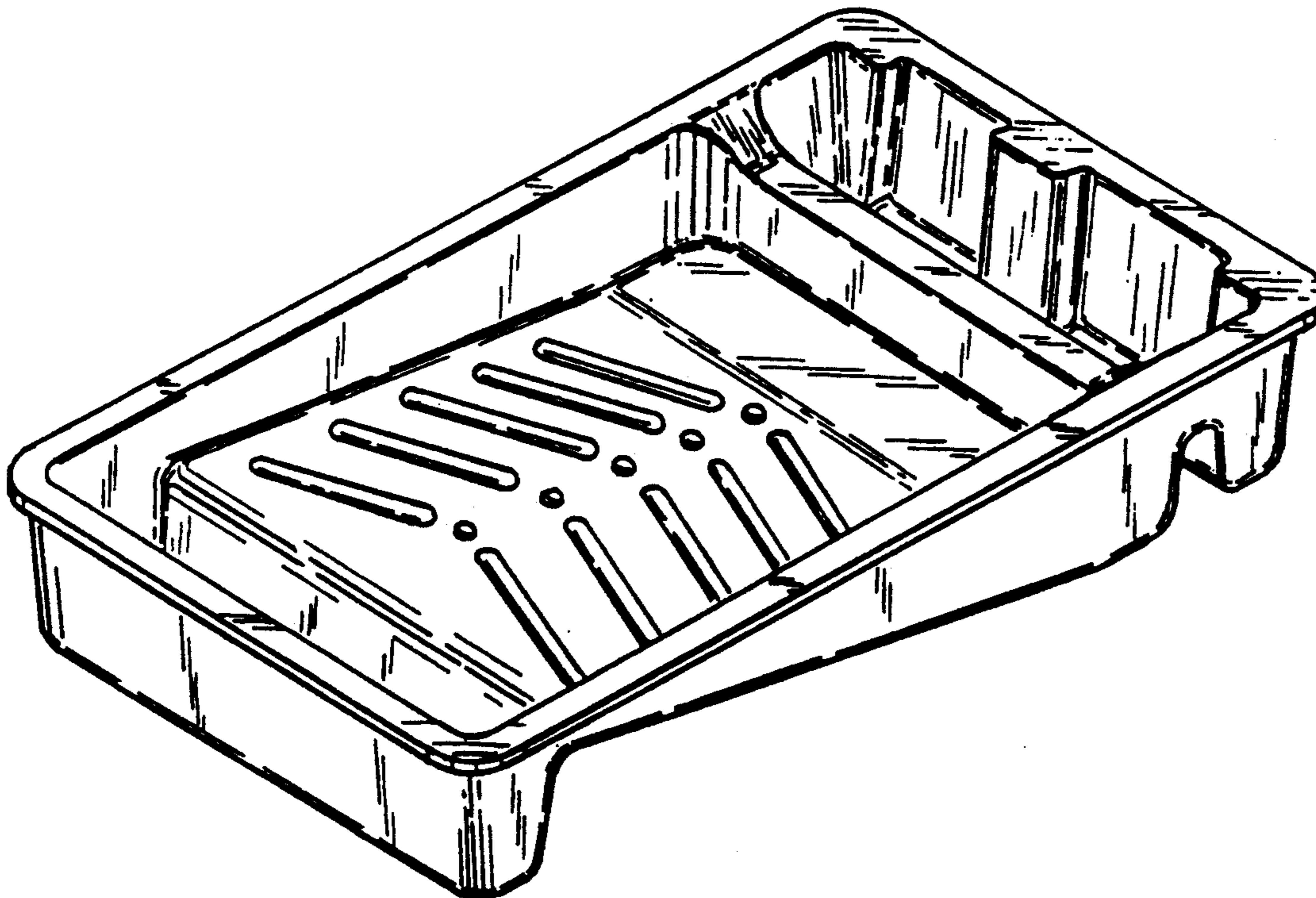
**DESCRIPTION**

[56] **References Cited**

**U.S. PATENT DOCUMENTS**

D. 193,382 8/1962 Goetz ..... D32/53.1  
D. 273,725 5/1984 Goetz ..... D32/53.1  
D. 301,785 6/1989 Goetz ..... D32/53.1

FIG. 1 is a perspective view of a paint pan with brush dock and paint reservoir showing my new design; FIG. 2 is a rear elevational view thereof; FIG. 3 is a top plan view thereof; FIG. 4 is a side elevational view thereof, the opposite side being a mirror image; and, FIG. 5 is a front elevational view thereof.



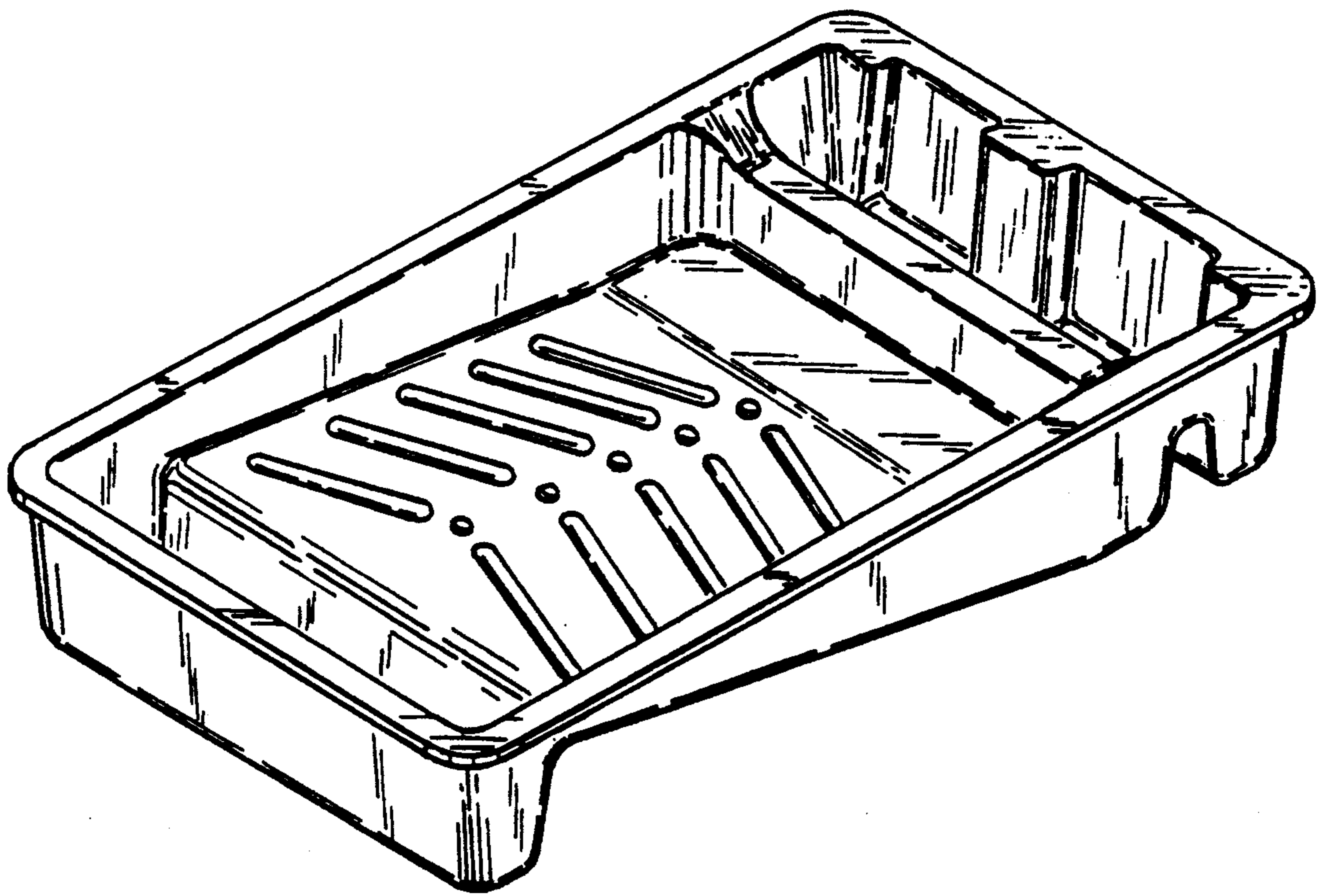


FIG. 1



FIG. 2

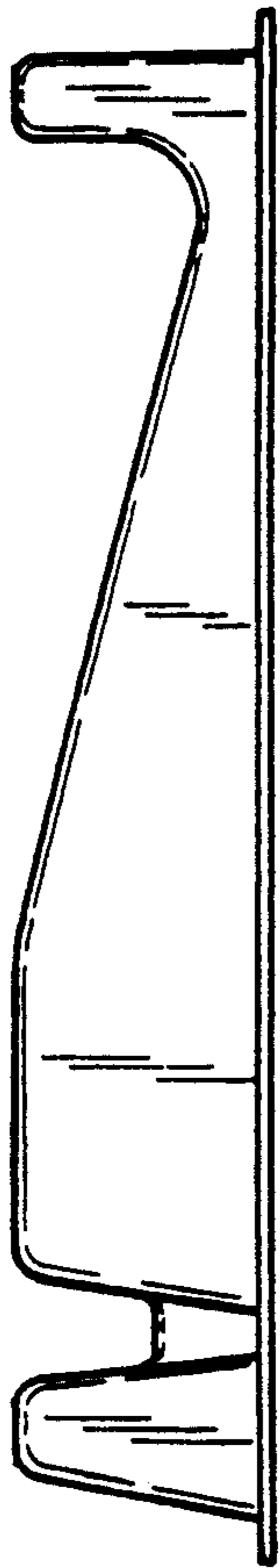


FIG. 4

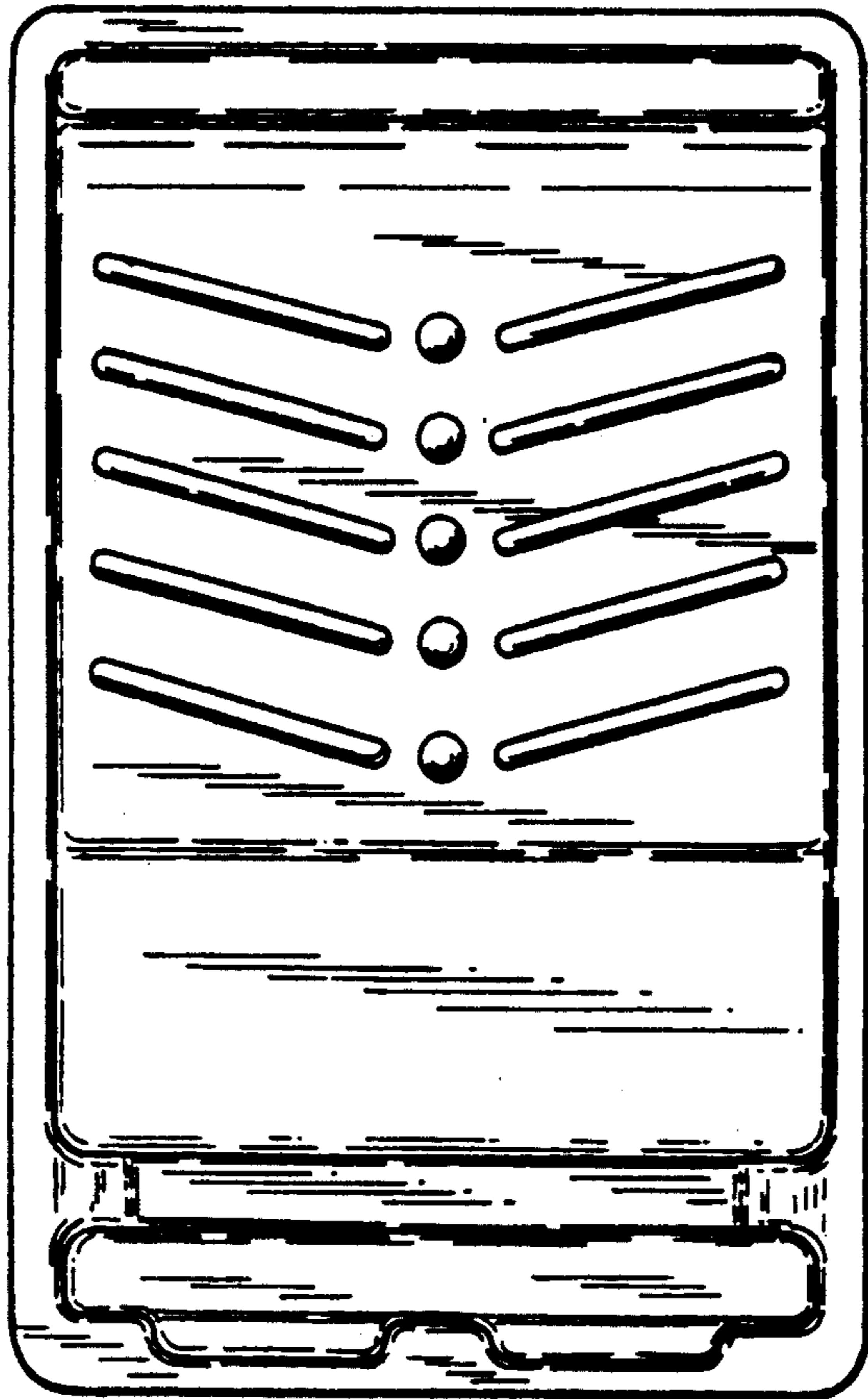


FIG. 3

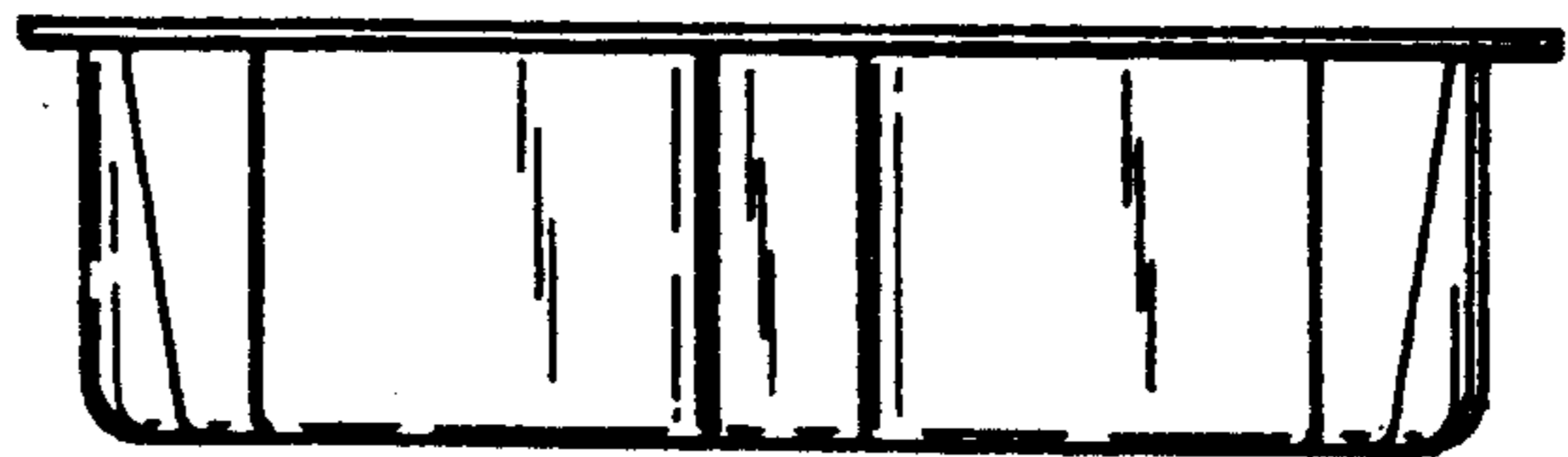


FIG. 5