



US00D332511S

United States Patent [19]

[11] Patent Number: Des. 332,511

Irving

[45] Date of Patent: ** Jan. 12, 1993

[54] PET COMB

[75] Inventor: Harry Irving, Southport, England

[73] Assignee: Harry Irving & Company Limited, Liverpool, England

[**] Term: 14 Years

[21] Appl. No.: 679,552

[22] Filed: Apr. 2, 1991

[30] Foreign Application Priority Data

Feb. 28, 1991 [GB] United Kingdom 2013310

[52] U.S. Cl. D30/159; D4/136

[58] Field of Search D30/158-160, D30/162; 119/83, 86-87, 89, 92-93; D4/127, 130, 132, 134, 136, 138, 100, 102, 117; 15/184, 160, 143 R, 159 R, 159 A, 105-106; D8/13; 132/126, 139, 150, 159, 161, 219, 271, 901; 43/137; D22/124; D28/21-22, 24-25, 28-31, 13, 15, 18

[56] References Cited

U.S. PATENT DOCUMENTS

- D. 289,567 4/1987 O'Conner D28/25
- 309,668 12/1884 Weightman D30/159
- 3,145,691 8/1964 Yates D30/158
- 3,421,522 1/1969 Magguilli D28/24
- 3,847,166 11/1974 Carr D28/24

OTHER PUBLICATIONS

Zenco Quality Products; p. 15, item #24564—Double Comb.
 Cat Care Catalog; p. 12, item H Sheeding Comb.
 Pedigrees The Pet Catalog; p. 22, item J—Moulting Comb.
 Ecco Bella; p. 78, item Pet Flea Comb #106.

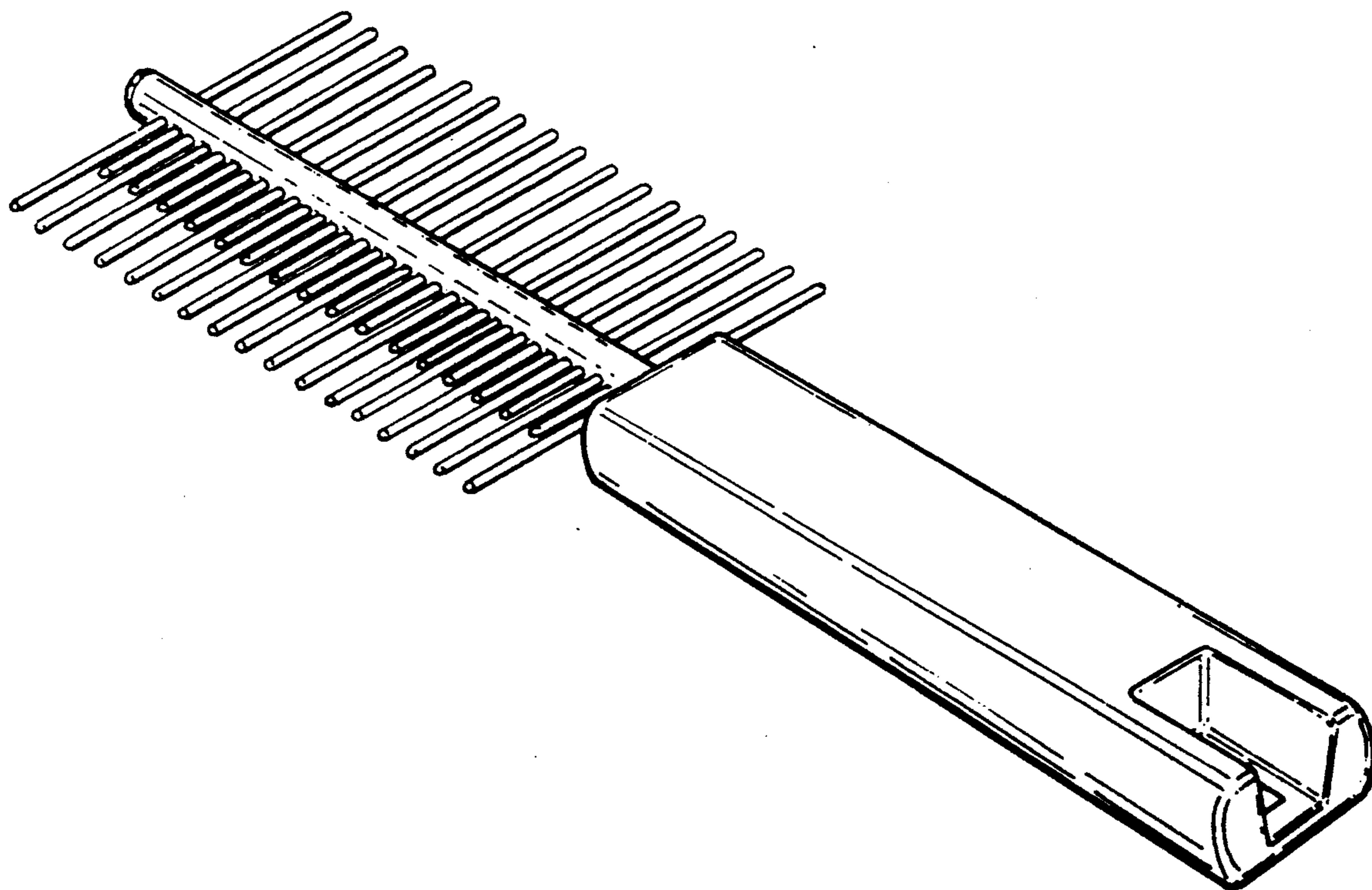
Primary Examiner—A. Hugo Word
 Assistant Examiner—Cathy Anne MacCormac
 Attorney, Agent, or Firm—Rogers, Howell & Haferkamp

[57] CLAIM

The ornamental design for a pet comb, as shown and described.

DESCRIPTION

FIG. 1 is a side elevational view of a pet comb showing my new design;
 FIG. 2 is a side elevational view thereof showing the opposite side of FIG. 1;
 FIG. 3 is a top plan view thereof;
 FIG. 4 is a bottom plan view thereof;
 FIG. 5 is a sectional view taken along line A—A of FIG. 2;
 FIG. 6 is a top perspective view thereof;
 FIG. 7 is an end elevational view thereof;
 FIG. 8 is an end elevational view thereof; and,
 FIG. 9 is a bottom perspective view thereof.



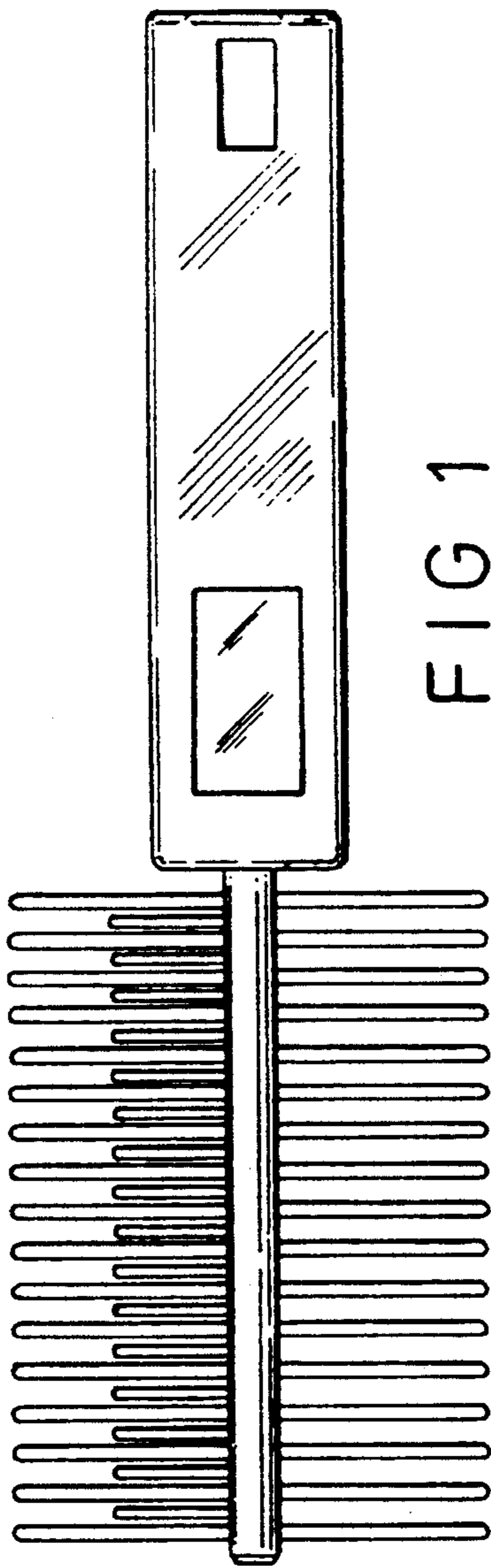


FIG. 1

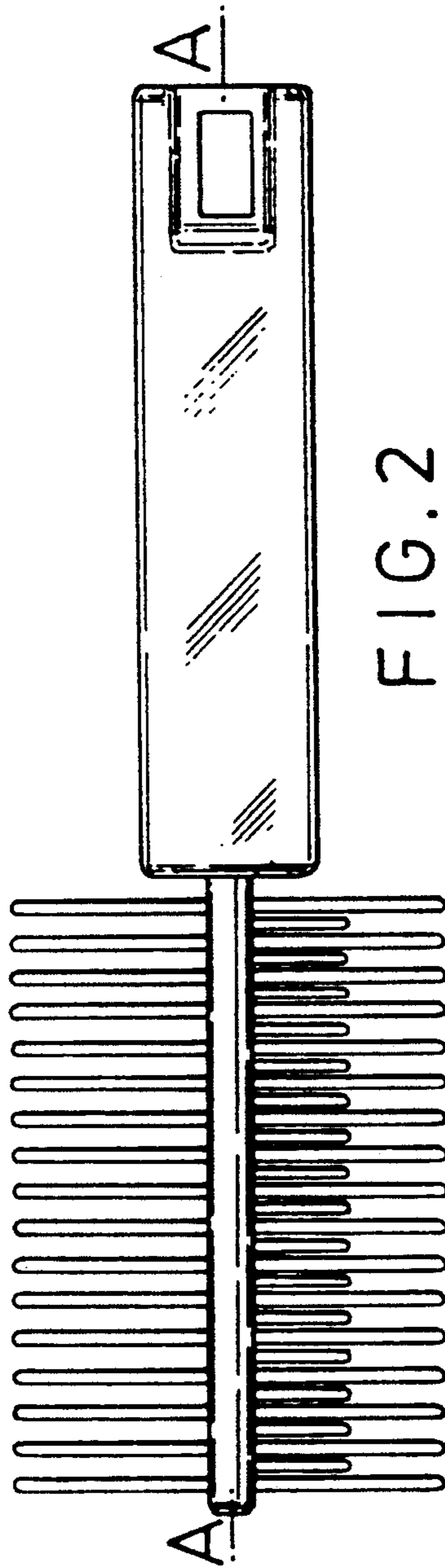


FIG. 2



FIG. 3



FIG. 4

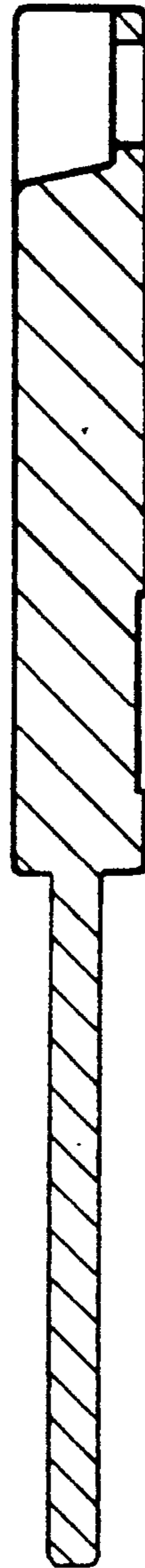


FIG 5

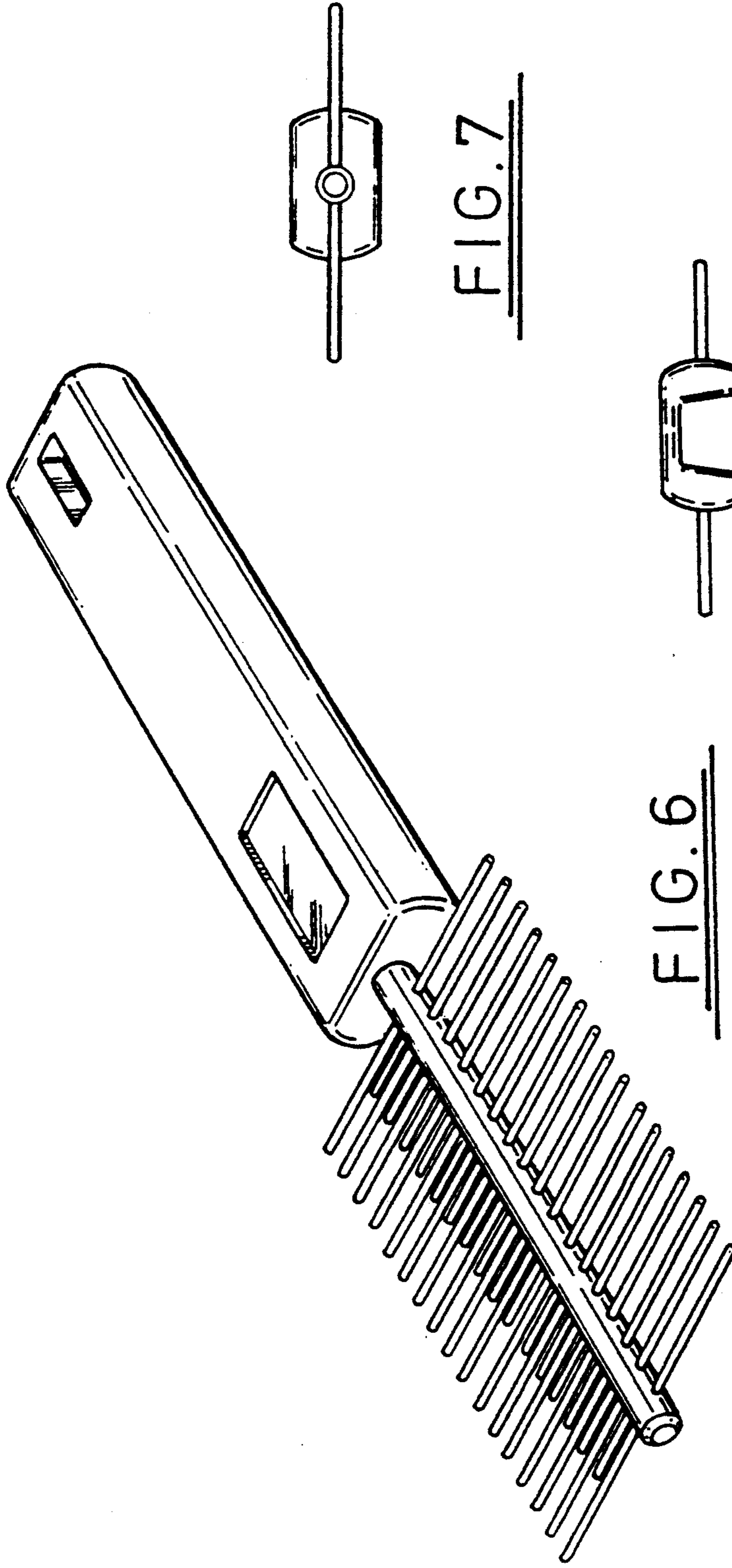


FIG. 6

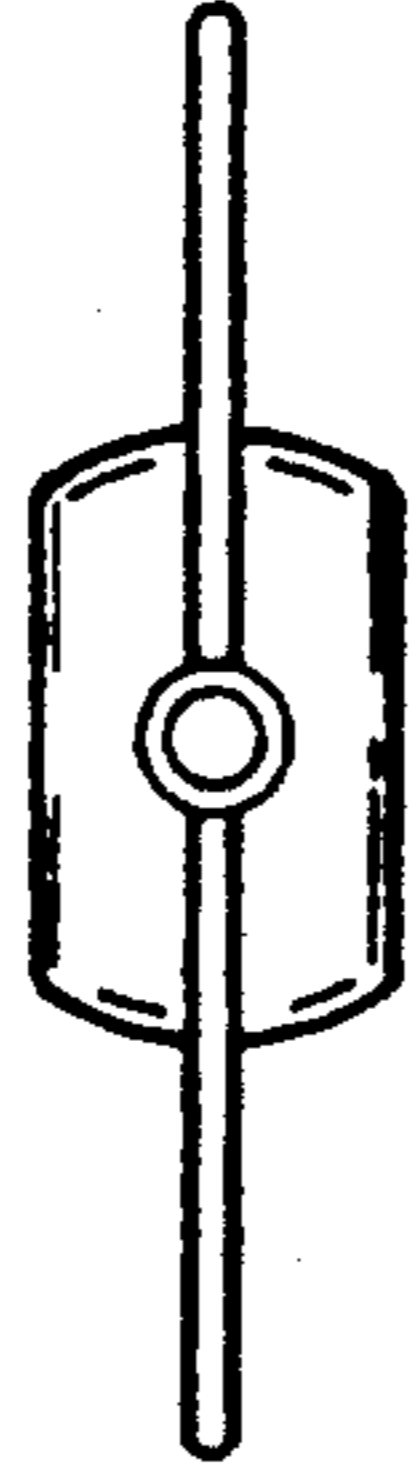


FIG. 7



FIG. 8

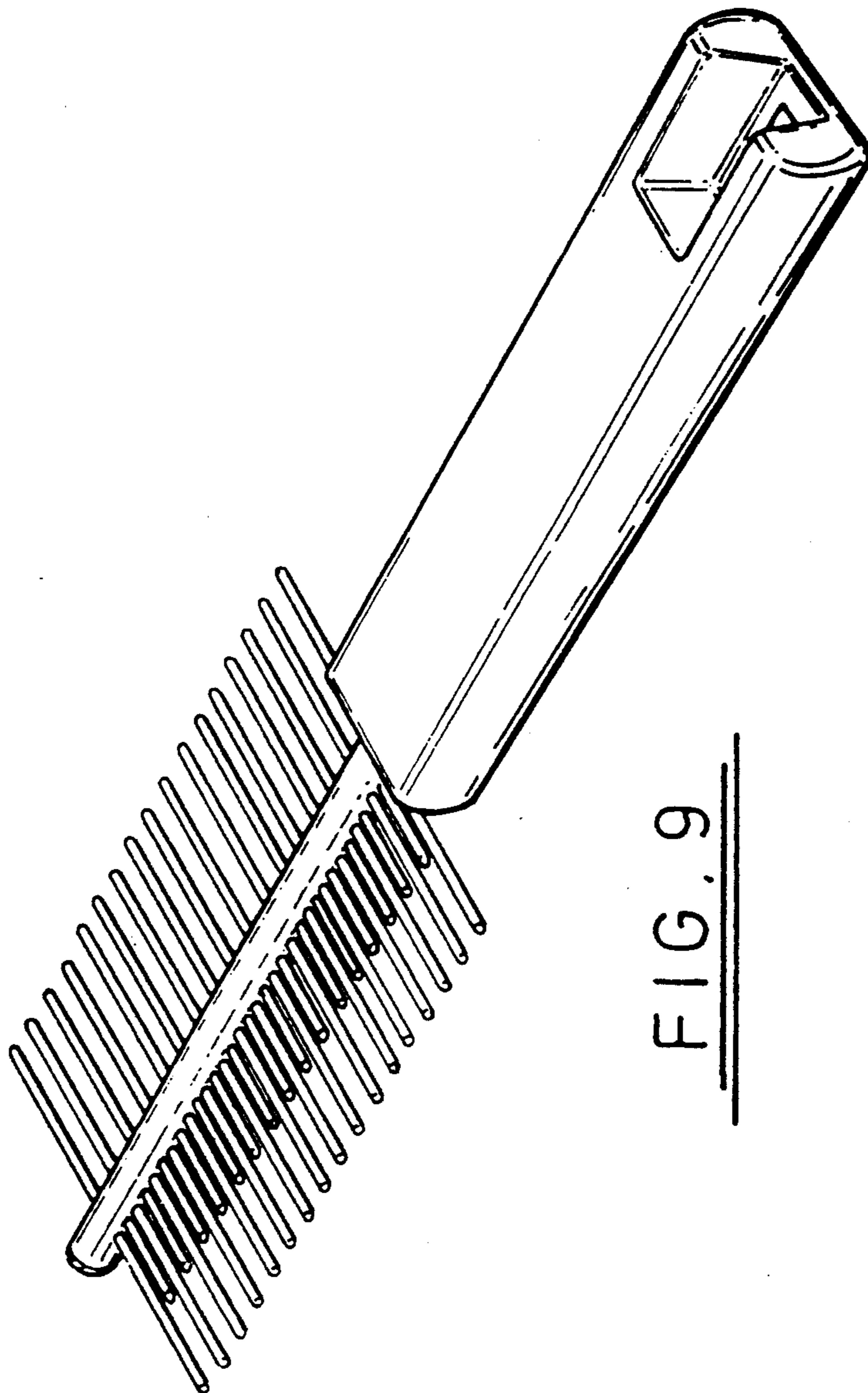


FIG. 9