



US00D332509S

# United States Patent [19]

[11] Patent Number: **Des. 332,509**

**Kovatch**

[45] Date of Patent: **\*\* Jan. 12, 1993**

[54] **SLOTTED FLOOR FOR ANIMALS**

131264	6/1978	Fed. Rep. of Germany	.....	119/28
218712	2/1985	Fed. Rep. of Germany	.....	119/28
1245327	9/1960	France	.....	119/28
579343	9/1976	Switzerland	.....	119/28

[75] Inventor: **Henry Kovatch, La Urbina, Venezuela**

[73] Assignee: **Industrias Uniplasticas S.A., Guatire, Venezuela**

### OTHER PUBLICATIONS

[\*\*] Term: **14 Years**

The Harrington & King Perforating Co., Inc.; Apr. 11, 1967; p. 96; item top left of page.  
Master Animal Care Catalog; rec'd Jul. 21, 1989; p. 13 Ori-Dek Tiles.

[21] Appl. No.: **527,542**

[22] Filed: **May 24, 1990**

*Primary Examiner*—A. Hugo Word  
*Assistant Examiner*—Cathy Anne MacCormac  
*Attorney, Agent, or Firm*—Dennison, Meserole, Pollack & Scheiner

[52] U.S. Cl. .... **D30/120**  
[58] Field of Search ..... **D30/108-109, D30/112-119, 120, 160; 119/28, 17; D34/40; 177/550**

### [56] References Cited

### [57] CLAIM

#### U.S. PATENT DOCUMENTS

The ornamental design for a slotted floor for animals, as shown and described.

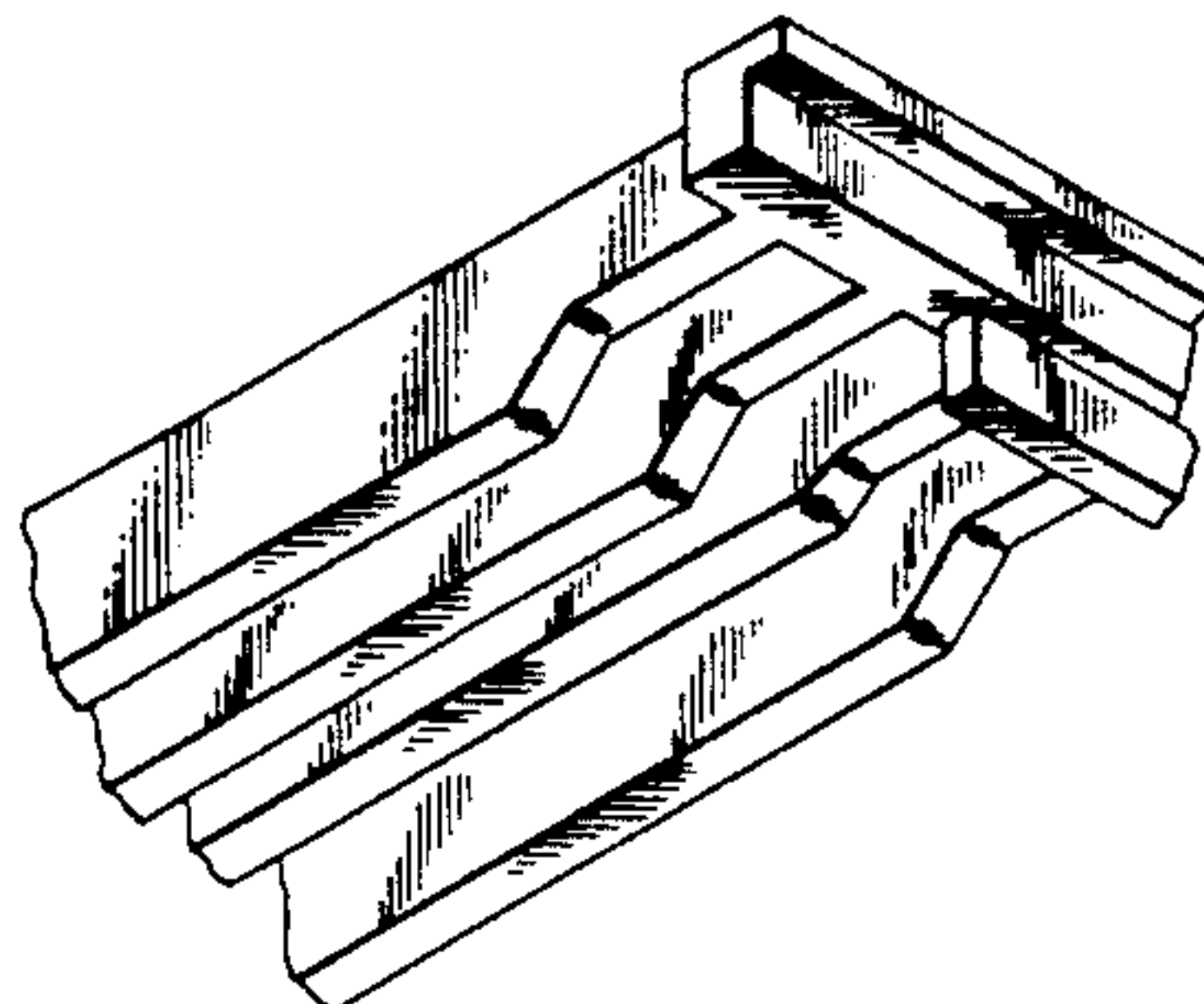
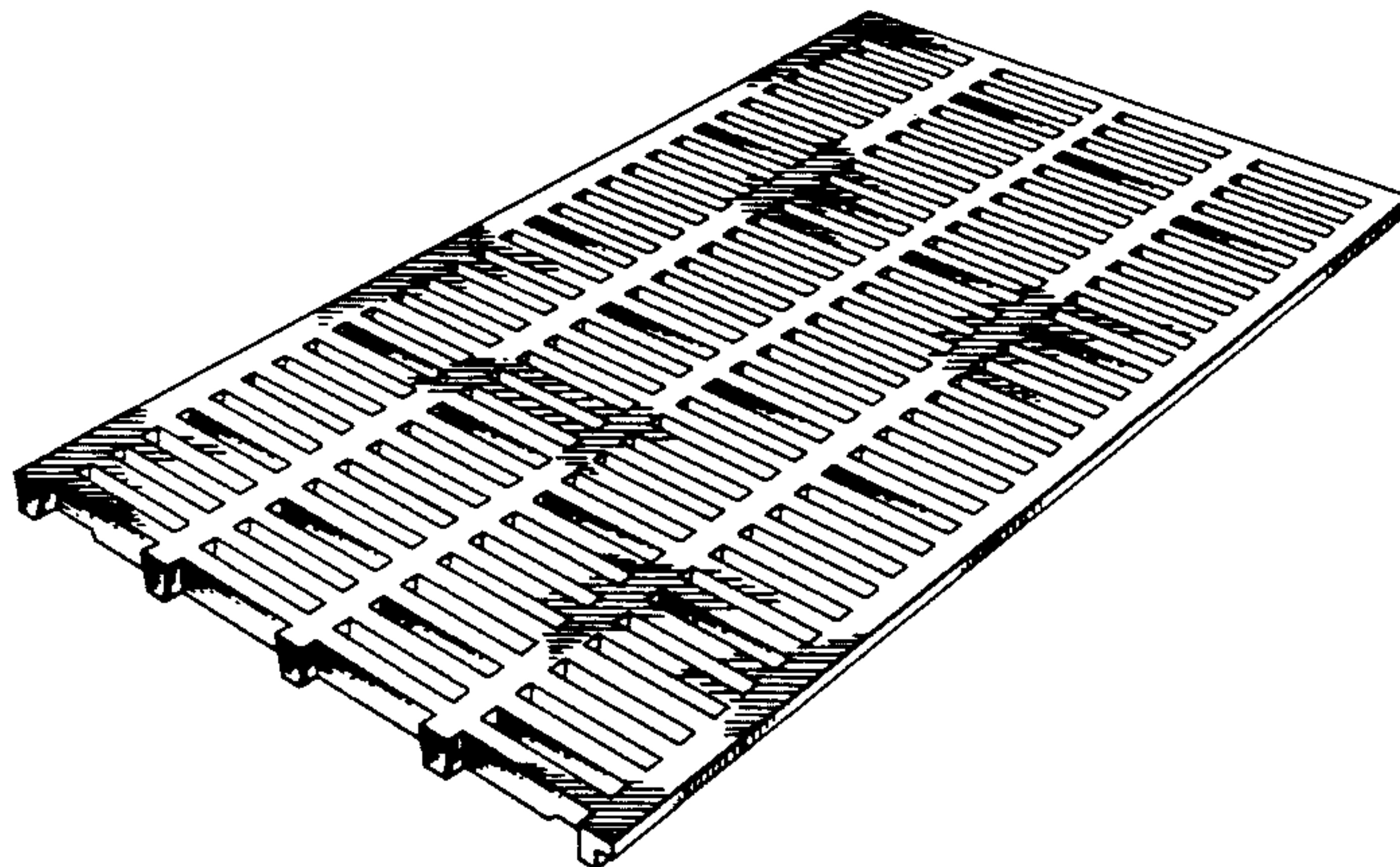
- D. 266,609 10/1982 Bartscher ..... D30/120
- D. 266,610 10/1982 Bartscher ..... D30/120
- D. 286,497 11/1986 Daenen et al. .... D7/550
- D. 318,348 7/1991 Meck ..... D30/116
- 686,553 11/1901 Spengler ..... 119/28
- 4,018,188 4/1977 Burdette ..... 119/28
- 4,023,530 5/1977 Cobb ..... 119/17
- 4,048,960 9/1977 Barnidge et al. .... 119/28
- 4,182,271 1/1980 Dodge et al. .... 119/28
- 4,235,197 11/1980 Curtis et al. .... 119/28
- 4,356,792 11/1982 Leverett ..... 119/28
- 4,362,128 12/1982 Downey ..... 119/28
- 4,387,666 6/1983 Thye-Lokenberg ..... 119/28
- 4,945,858 8/1990 Myers et al. .... 119/28

### DESCRIPTION

FIG. 1 is a perspective view of a slotted floor for animals, showing my new design;  
FIG. 2 is a top plan view thereof;  
FIG. 3 is a left side elevational view thereof;  
FIG. 4 is an end elevational view thereof;  
FIG. 5 is a bottom plan thereof;  
FIG. 6 is a right side elevational view;  
FIG. 7 is an end elevational view thereof showing the opposite end of FIG. 4;  
FIG. 8 is a bottom corner perspective view thereof;  
FIG. 9 is a cross-section detail thereof on line 9—9 in FIG. 2; and,  
FIG. 10 is a cross-section detail thereof on line 10—10 in FIG. 2.

#### FOREIGN PATENT DOCUMENTS

- 1071041 2/1980 Canada ..... 119/28



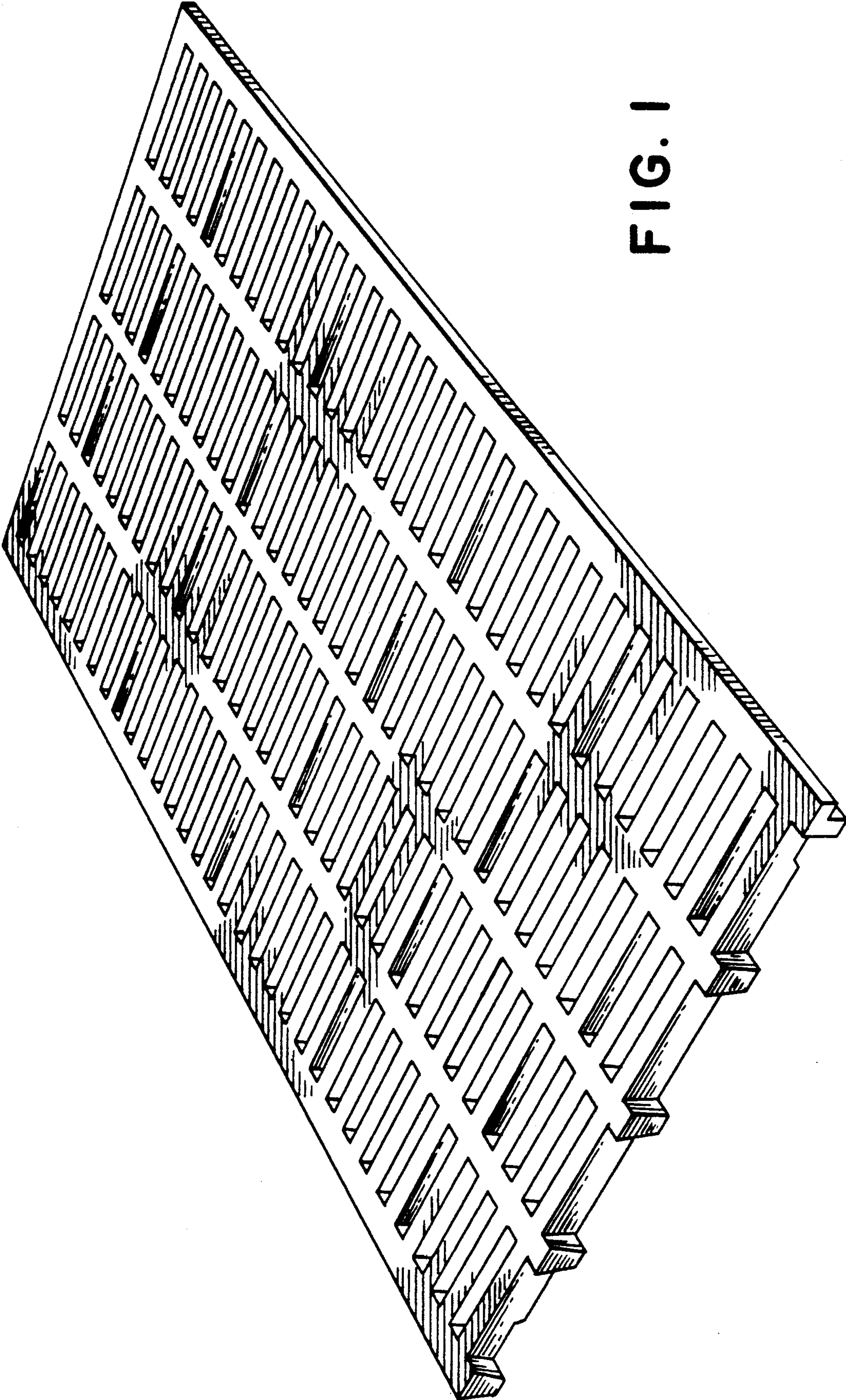


FIG. 1



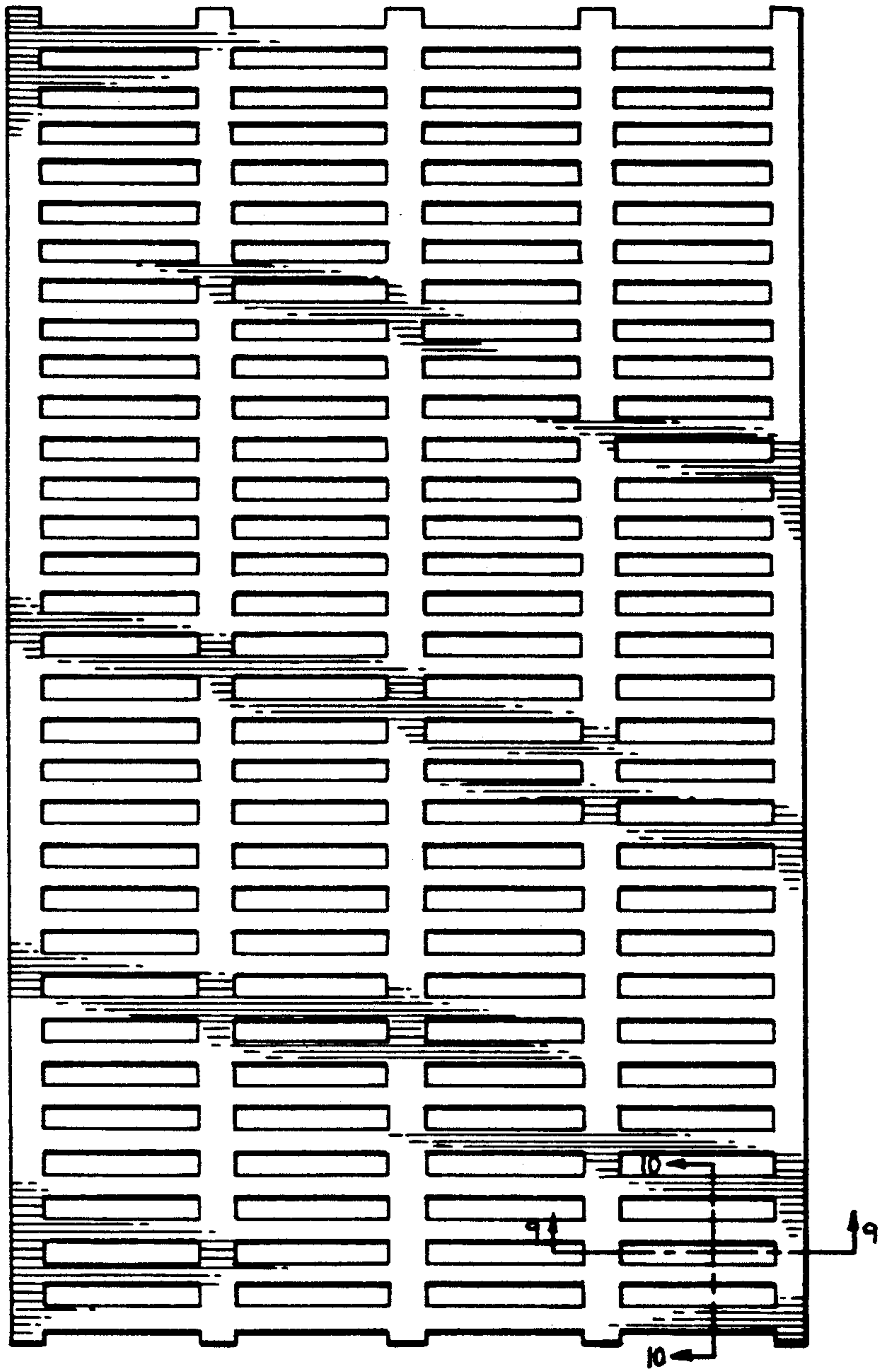


FIG. 2



FIG. 3



FIG. 4

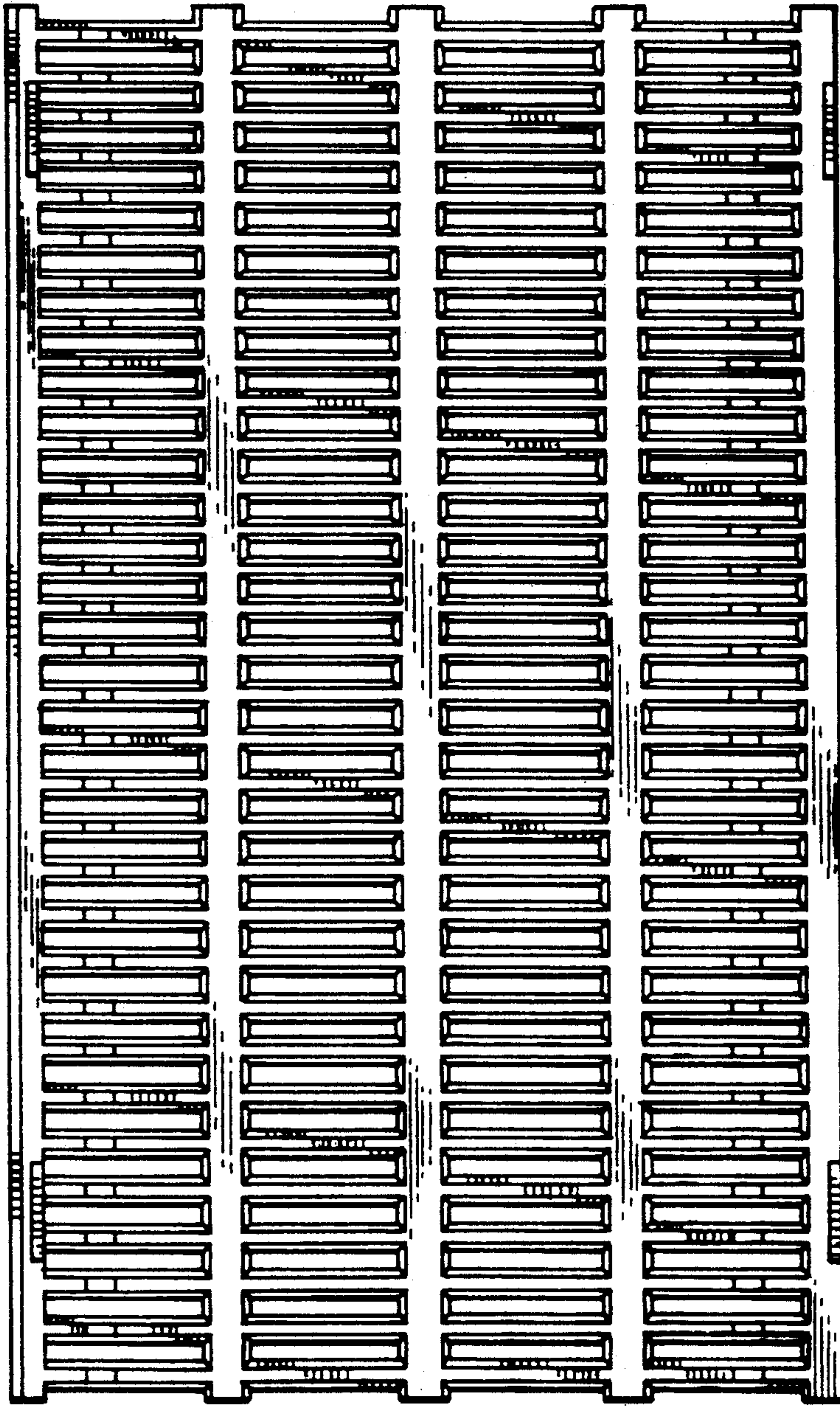


FIG. 5



FIG. 6



FIG. 7

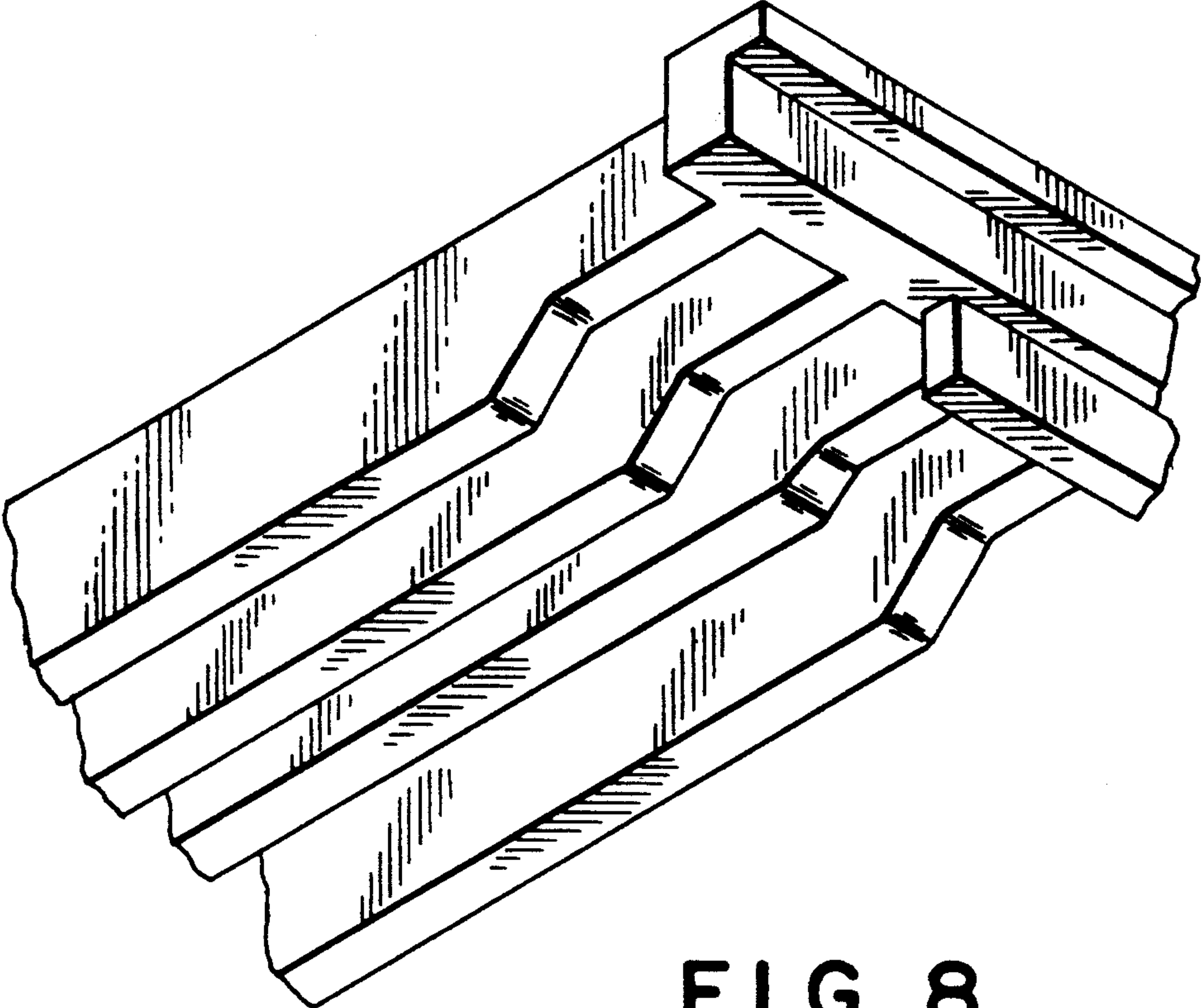


FIG. 8

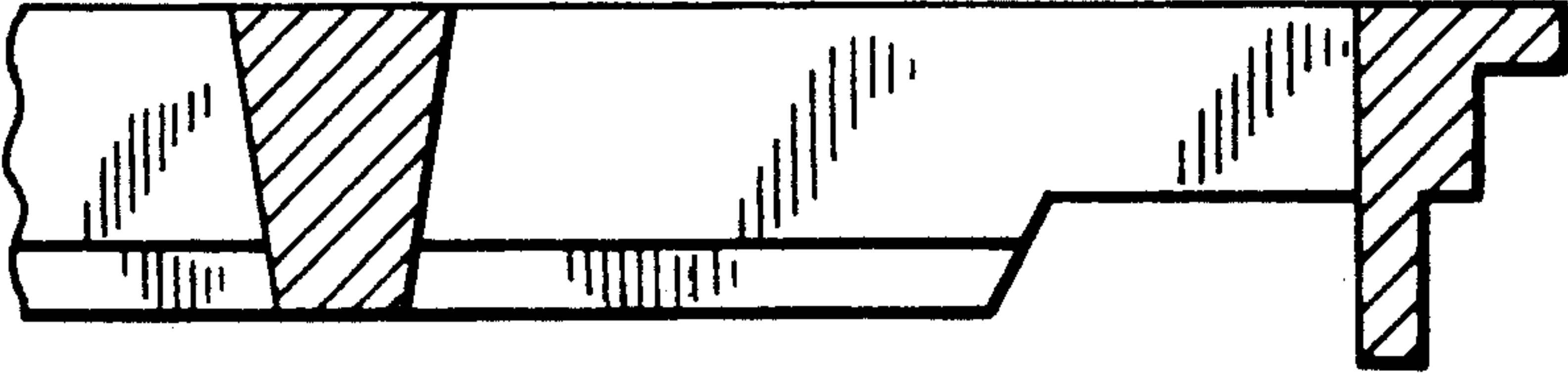


FIG. 9

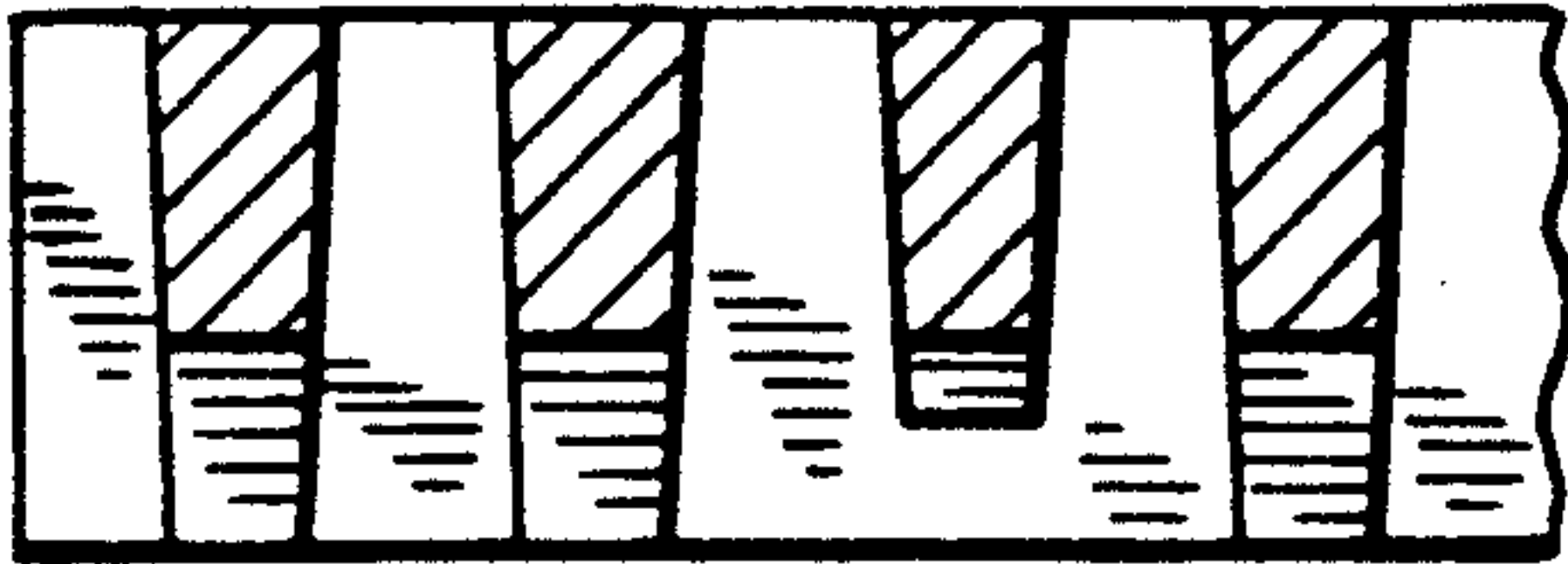


FIG. 10